



US00D407509S

# United States Patent [19] Yuen

[11] **Patent Number: Des. 407,509**

[45] **Date of Patent: \*\*Mar. 30, 1999**

[54] **RECHARGEABLE TORCH**

2012736 1/1991 United Kingdom .  
2030400 4/1993 United Kingdom .

[75] Inventor: **John Se-Kit Yuen**, Kowloon, Hong Kong

*Primary Examiner*—Marcus A. Jackson  
*Attorney, Agent, or Firm*—Fay, Sharpe, Beall, Fagan, Minnich & McKee

[73] Assignee: **John Manufacturing Limited**, Kowloon, Hong Kong

[\*\*] Term: **14 Years**

[57] **CLAIM**

[21] Appl. No.: **89,545**

The ornamental design for a rechargeable torch, as shown and described.

[22] Filed: **Jun. 17, 1998**

**DESCRIPTION**

[30] **Foreign Application Priority Data**

Dec. 23, 1997 [GB] United Kingdom ..... 2071316

FIG. 1 is a perspective view from front and top of a rechargeable torch showing my new design;

[51] **LOC (6) Cl.** ..... **26-02**

FIG. 2 is a perspective view from rear and top thereof;

[52] **U.S. Cl.** ..... **D26/37**

FIG. 3 is a perspective view from front and bottom thereof;

[58] **Field of Search** ..... D26/37-50; 362/157, 362/158, 171, 172, 178, 181, 183, 192, 194, 196, 197, 200-206

FIG. 4 is a perspective view from front and bottom with prongs extended thereof;

FIG. 5 is a perspective view from rear and bottom thereof;

[56] **References Cited**

**U.S. PATENT DOCUMENTS**

D. 153,282	4/1949	Haas	.....	D26/49
D. 252,534	7/1979	Zun	.....	D26/49
D. 274,949	7/1984	Bandiera	.....	D26/49
D. 285,356	8/1986	Schosser et al.	.....	D26/49
D. 296,478	6/1988	Powell et al.	.....	D26/49
D. 368,318	3/1996	Furth et al.	.....	D26/49
D. 377,105	12/1996	Yuen	.....	D26/38
D. 392,757	3/1998	Burns	.....	D26/37

FIG. 6 is a perspective view from rear and bottom with prongs extended thereof;

FIG. 7 is a left side elevational view thereof;

FIG. 8 is a top plan view thereof;

FIG. 9 is a right side elevational view thereof;

FIG. 10 is a bottom plan view thereof;

FIG. 11 is a right side elevational view with prongs extended thereof;

FIG. 12 is a bottom plan view with prongs extended thereof;

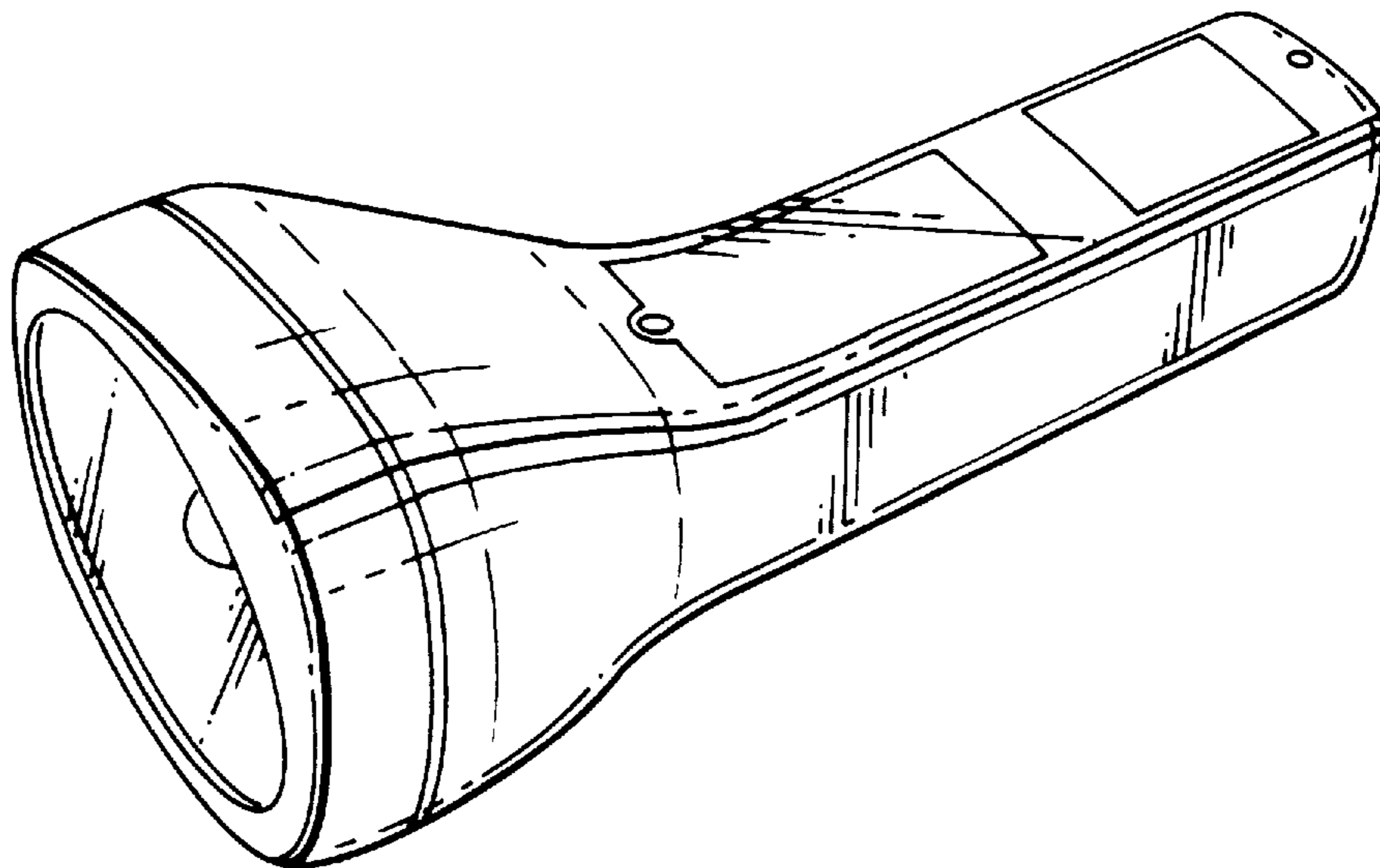
FIG. 13 is a front elevational view thereof; and,

FIG. 14 is a rear elevational view thereof.

**FOREIGN PATENT DOCUMENTS**

2007014 1/1991 United Kingdom .

**1 Claim, 4 Drawing Sheets**



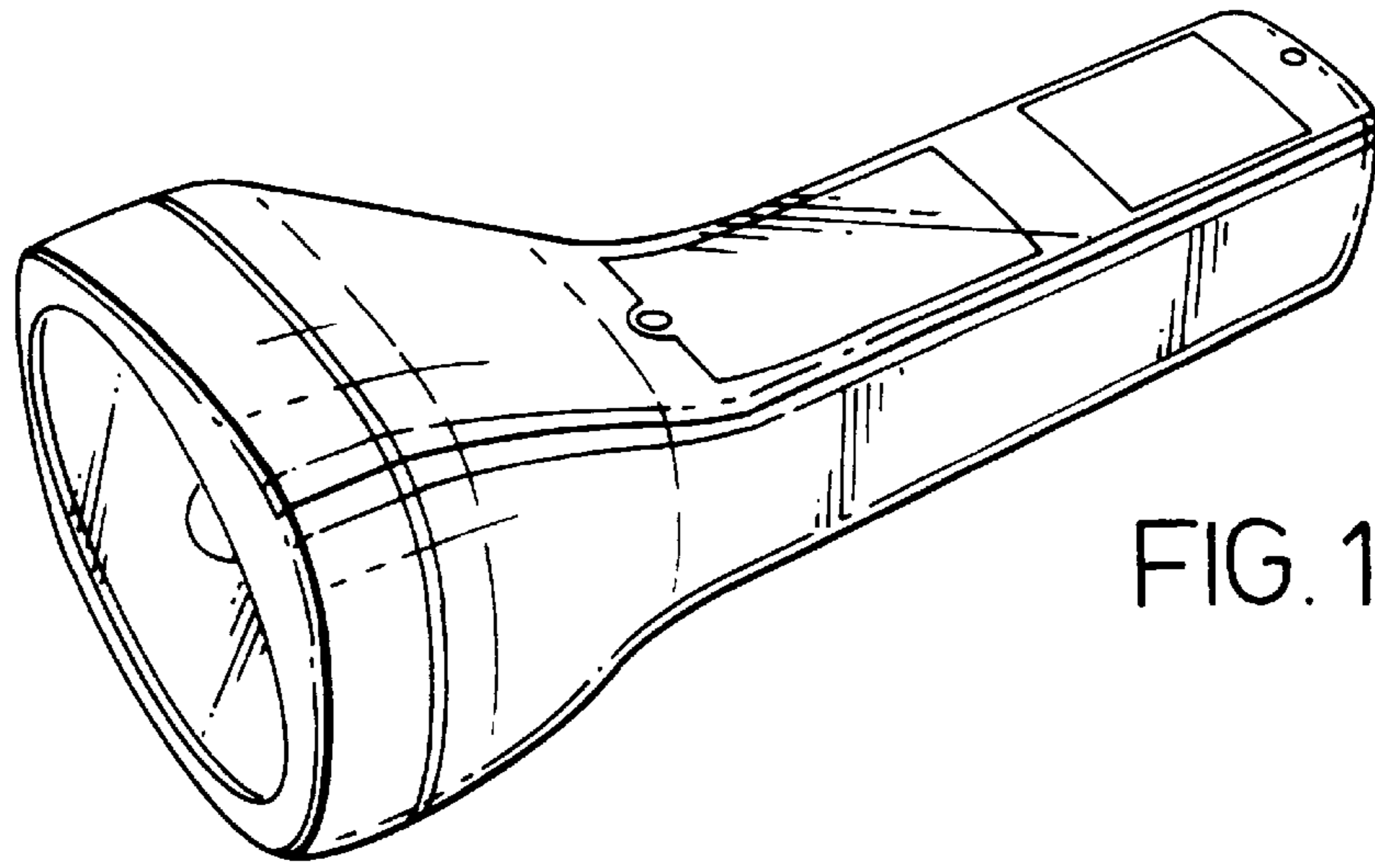


FIG. 1

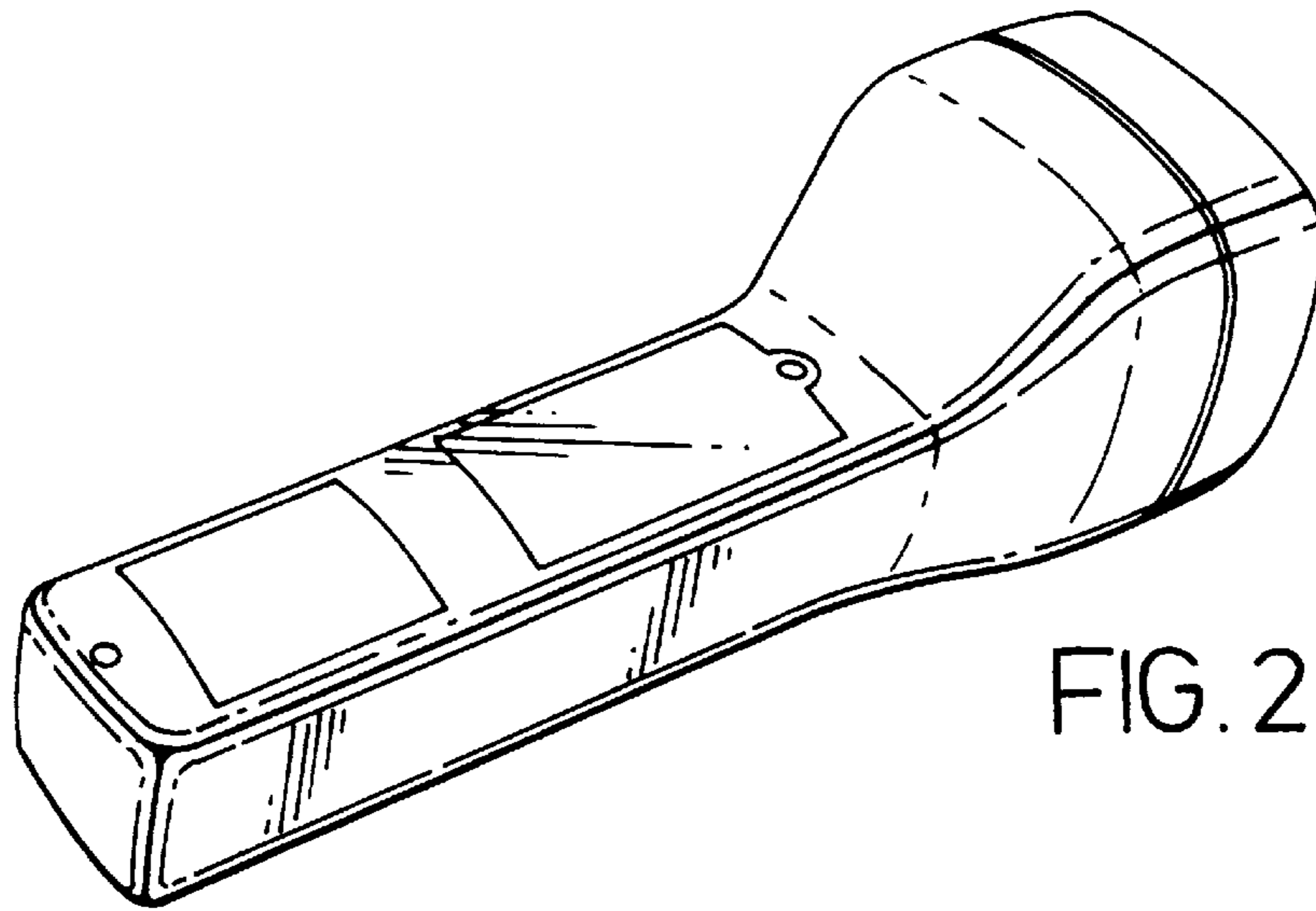


FIG. 2

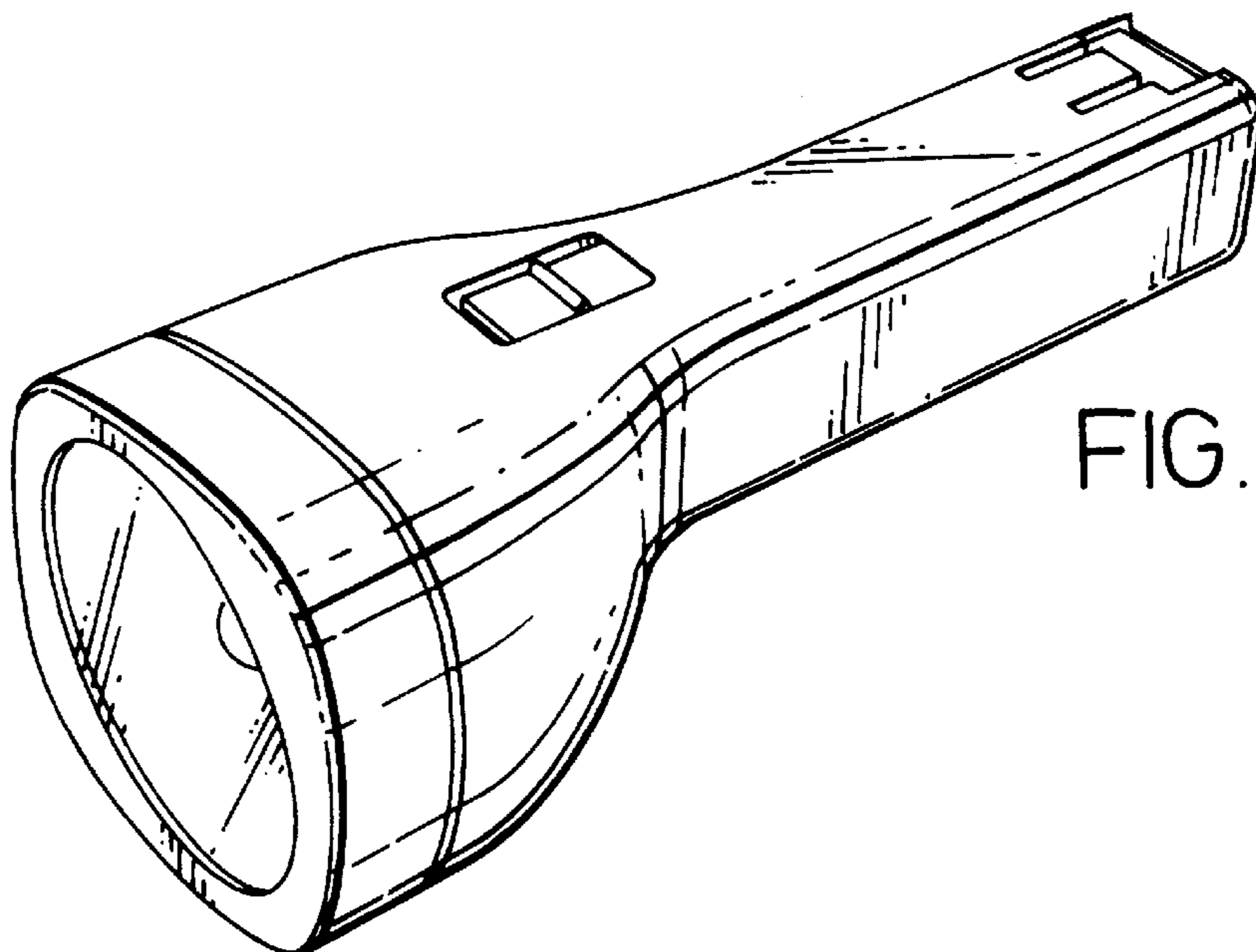


FIG. 3

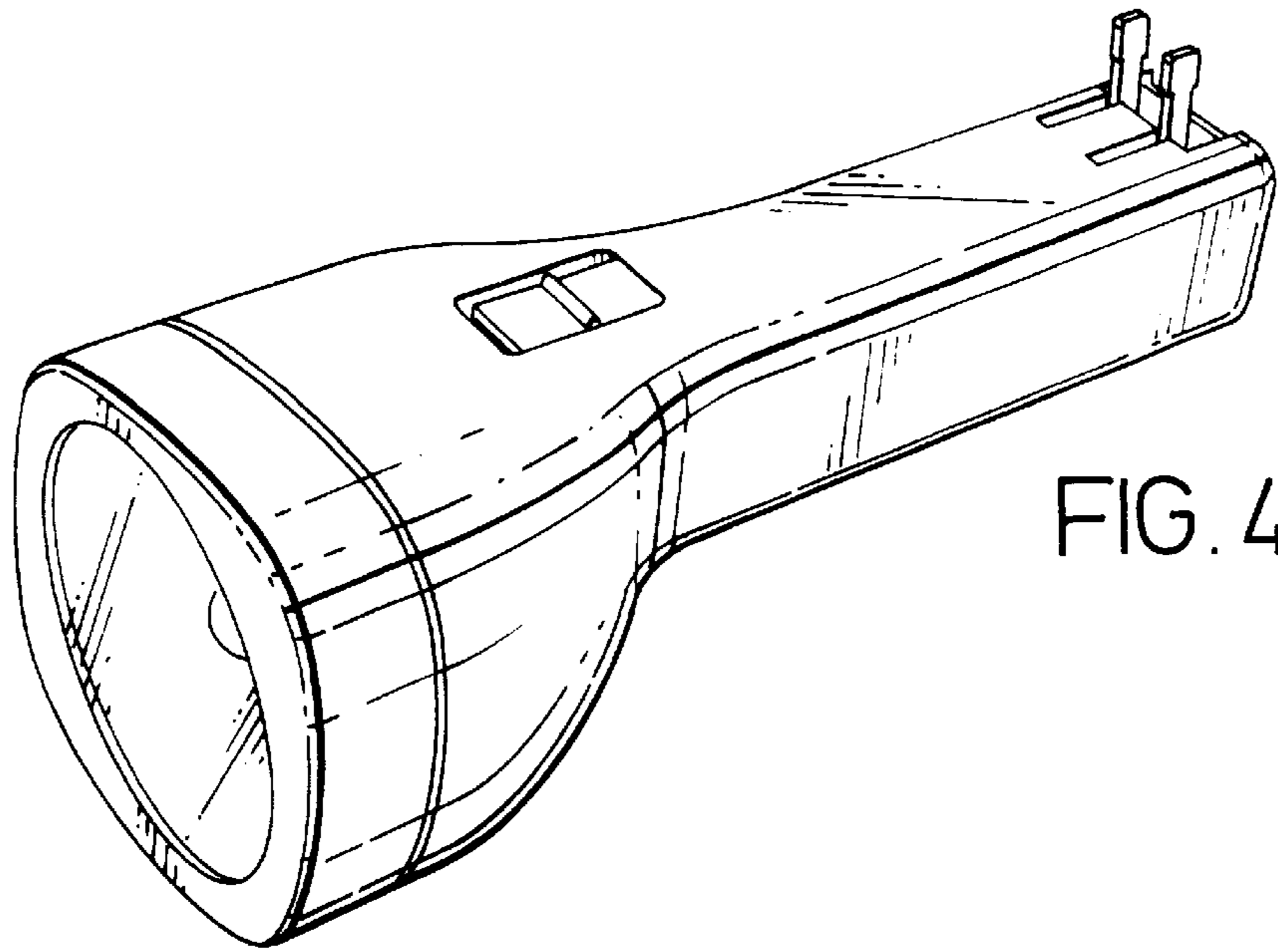


FIG. 4

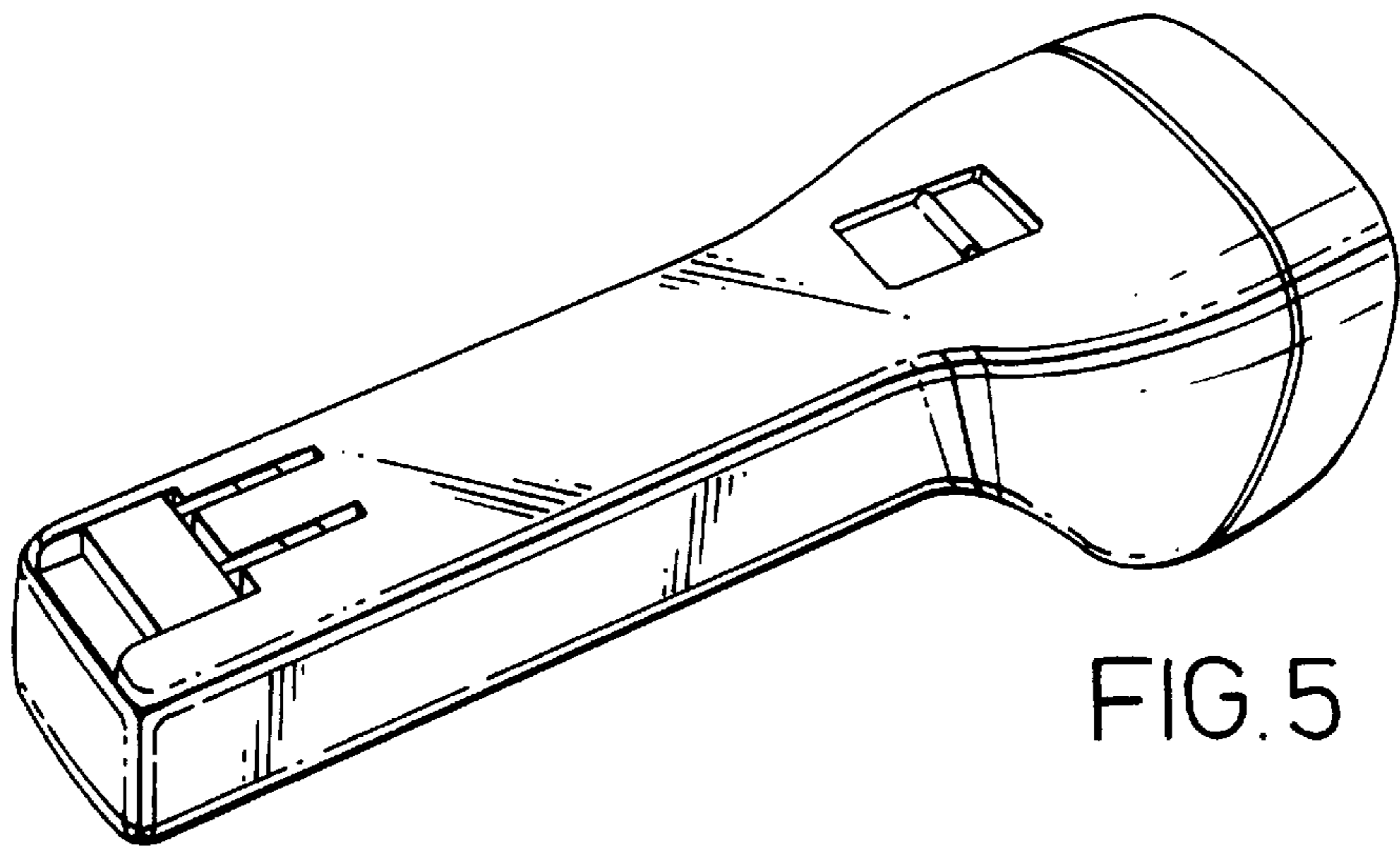


FIG. 5

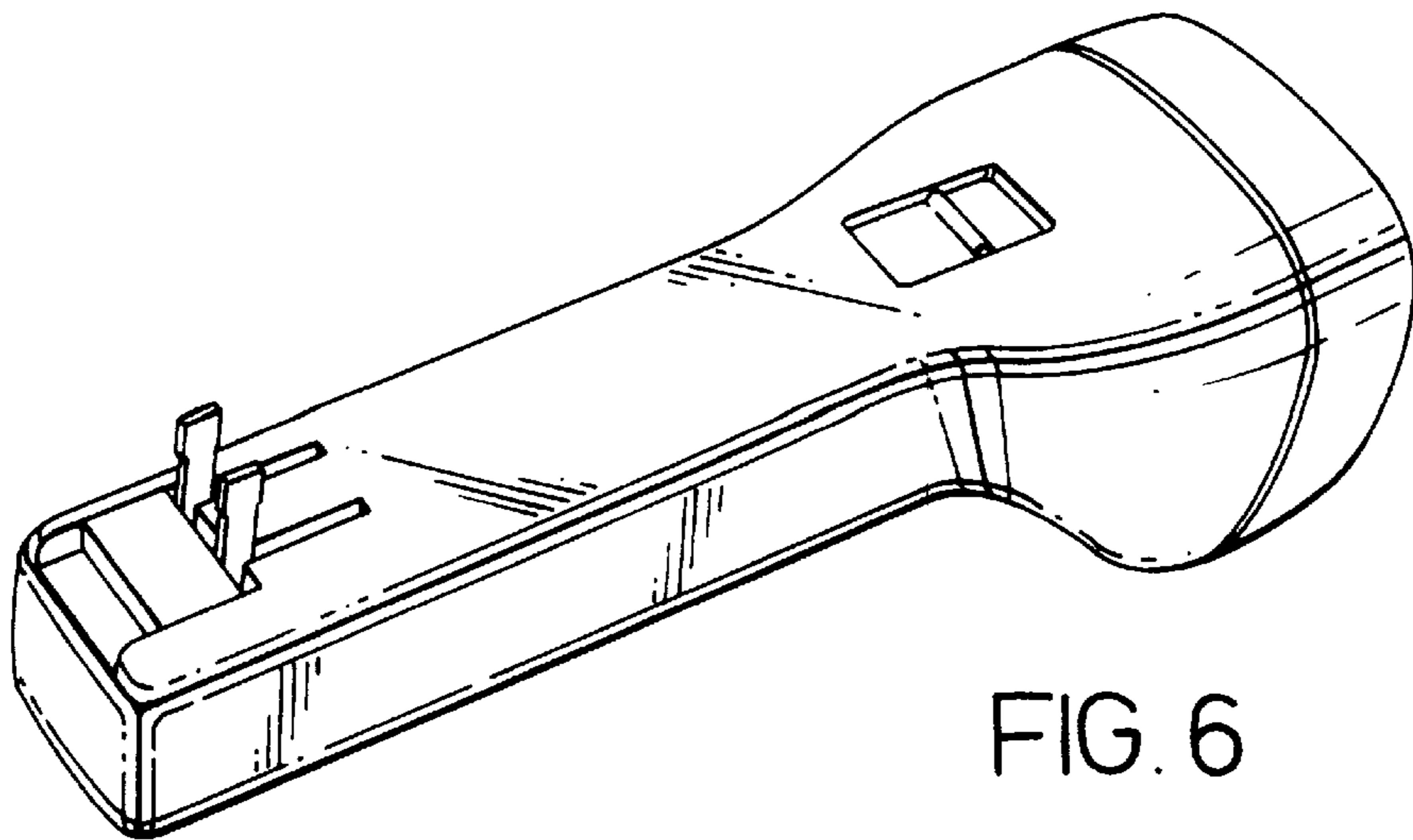


FIG. 6

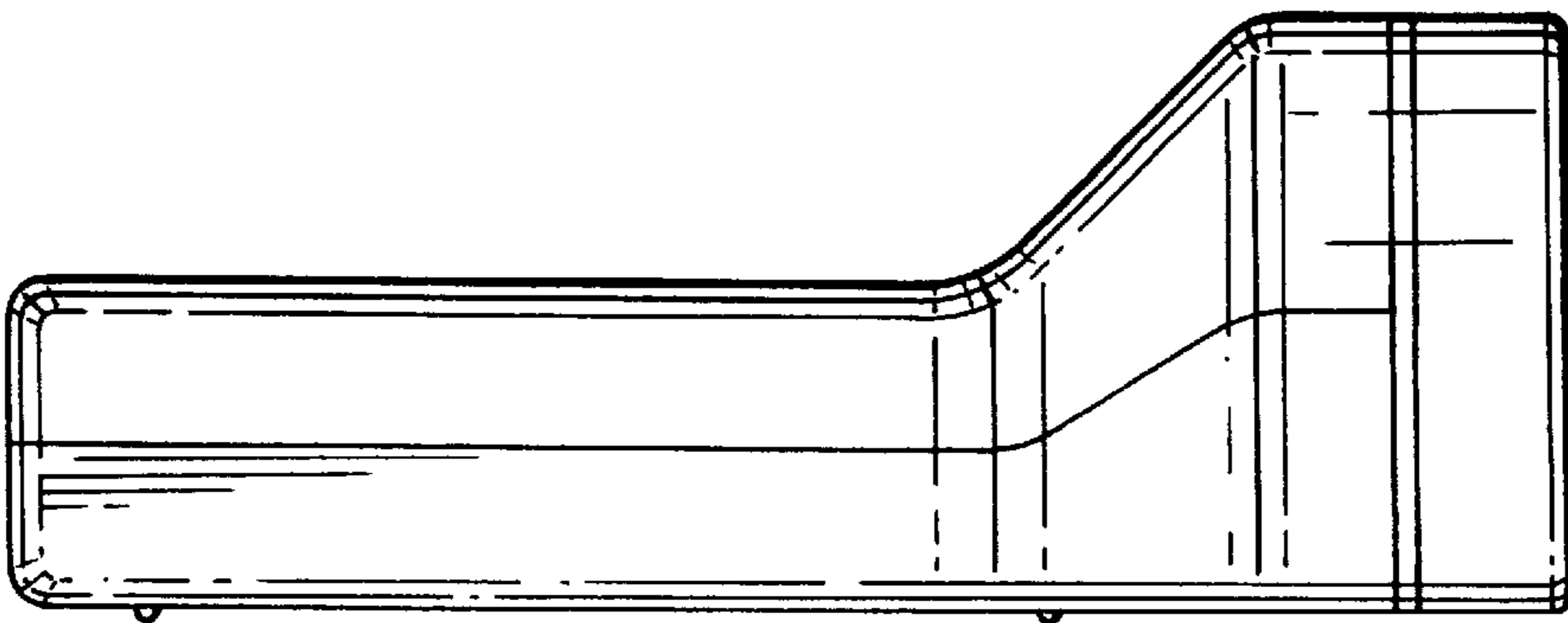


FIG. 7

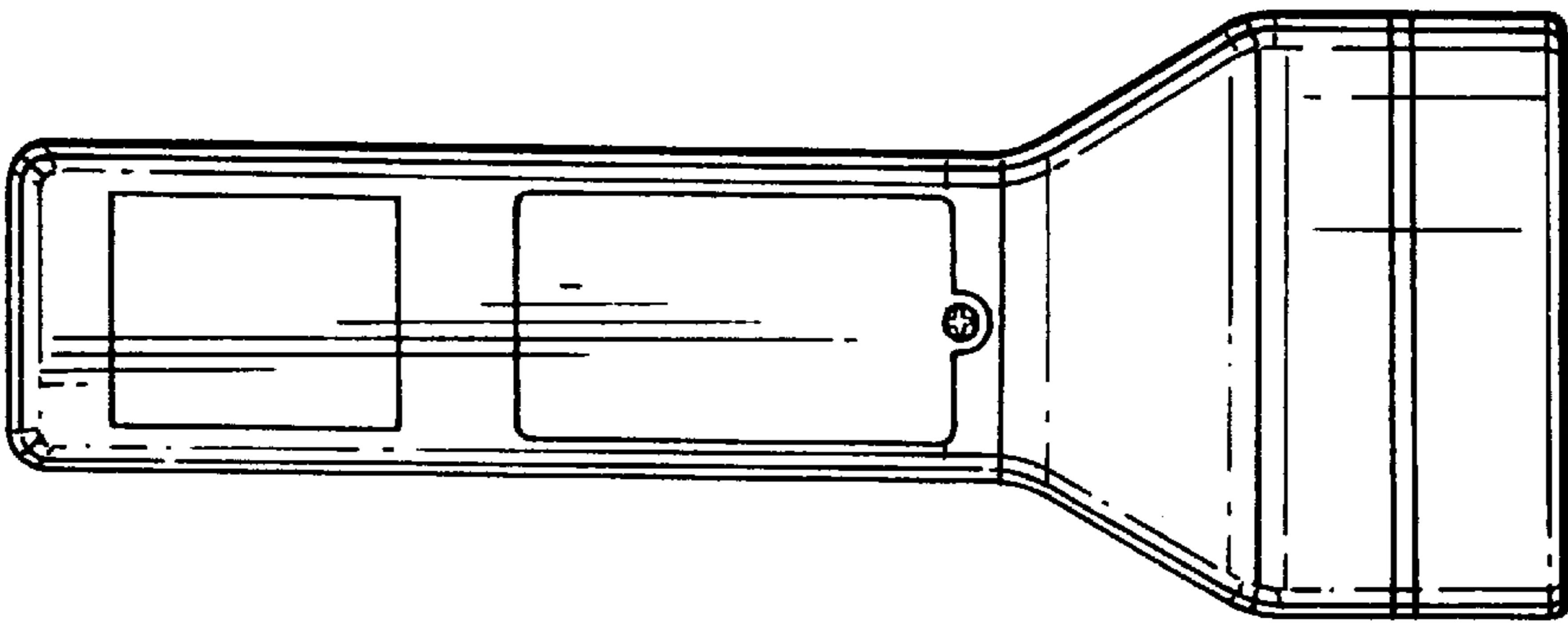


FIG. 8

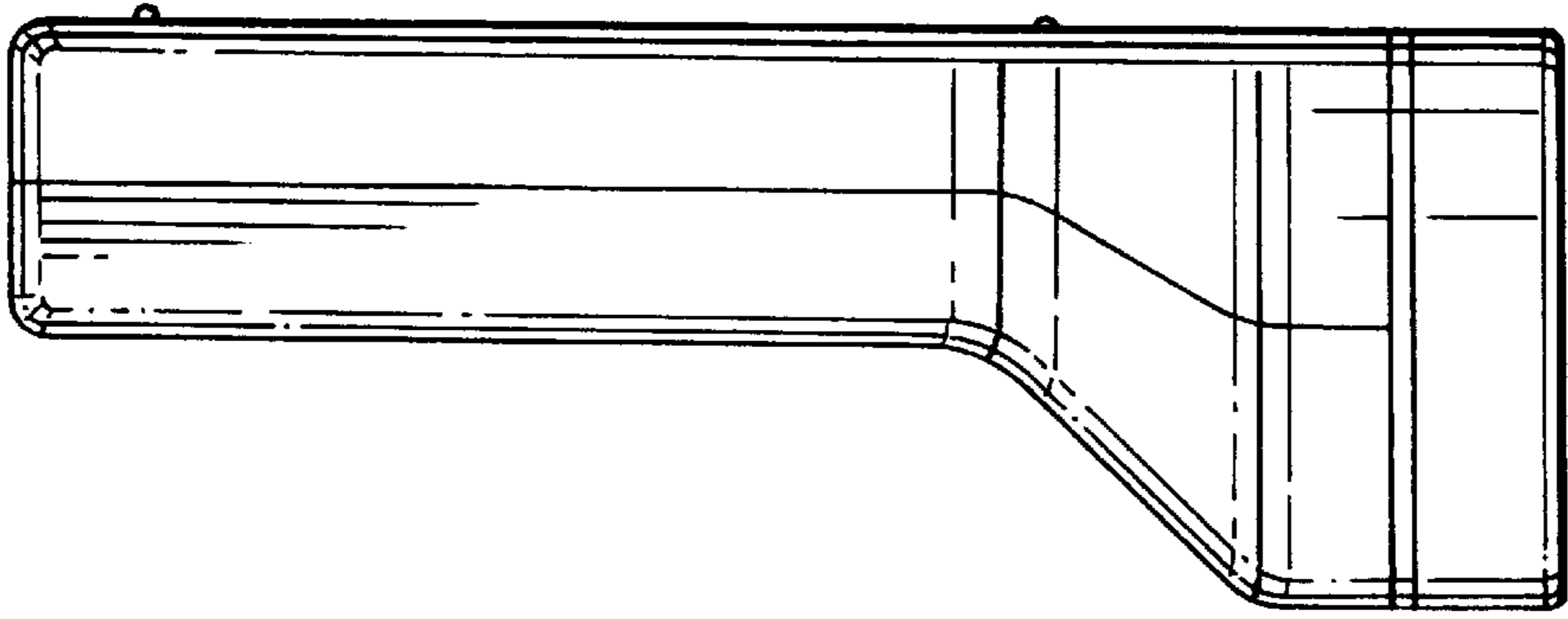


FIG. 9

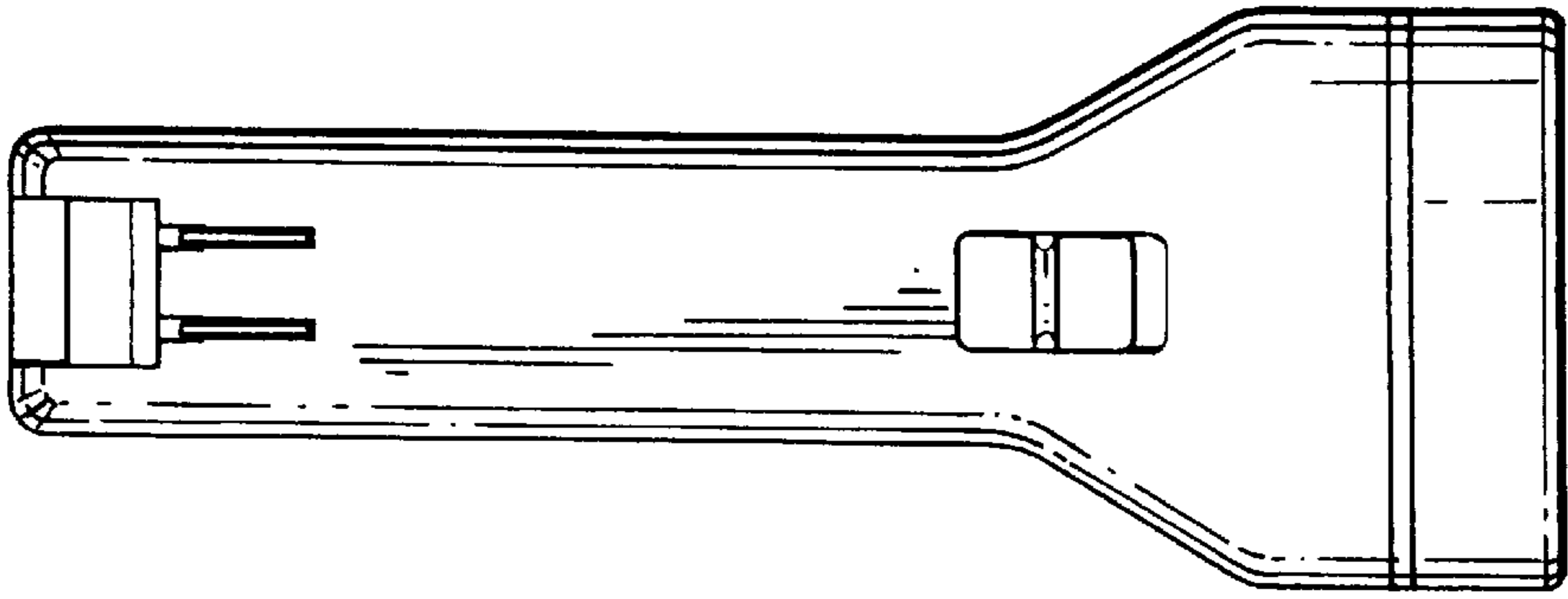


FIG. 10

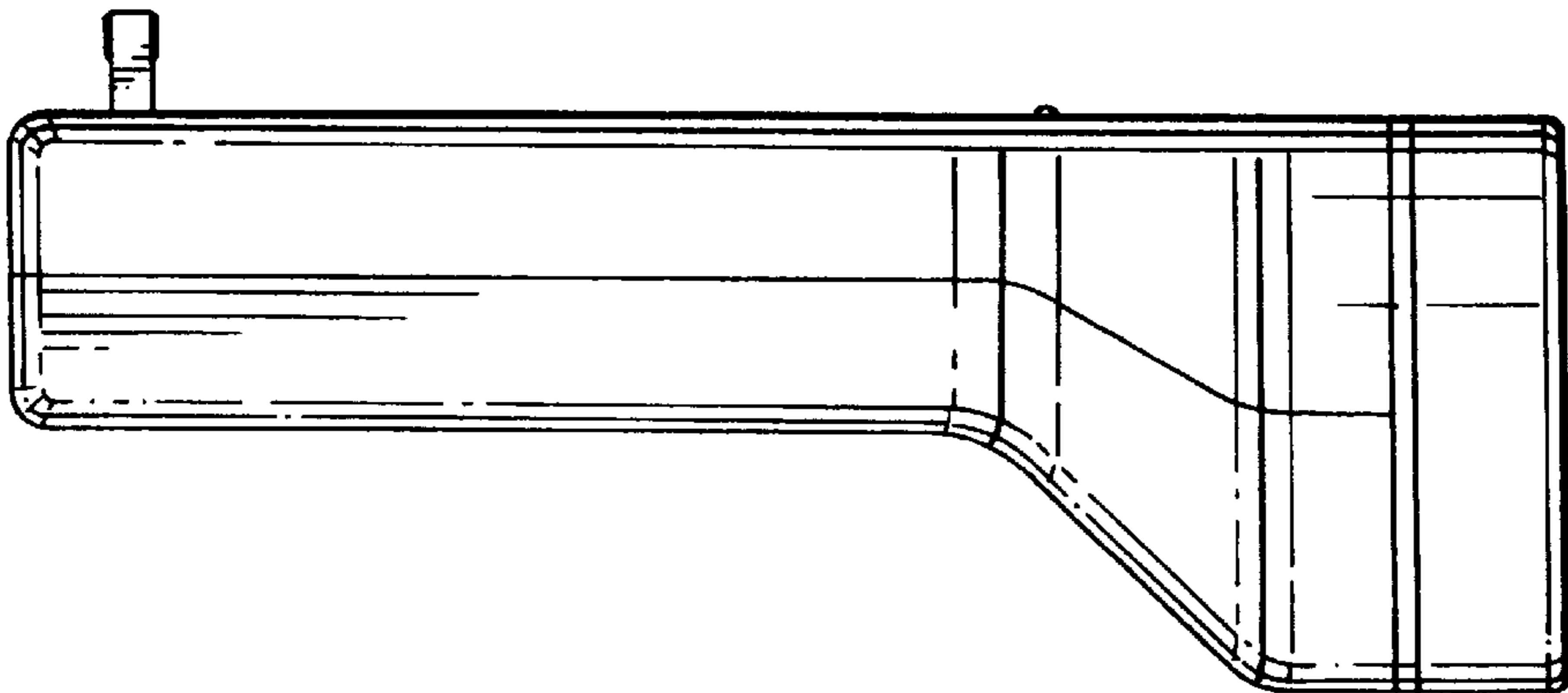


FIG. 11

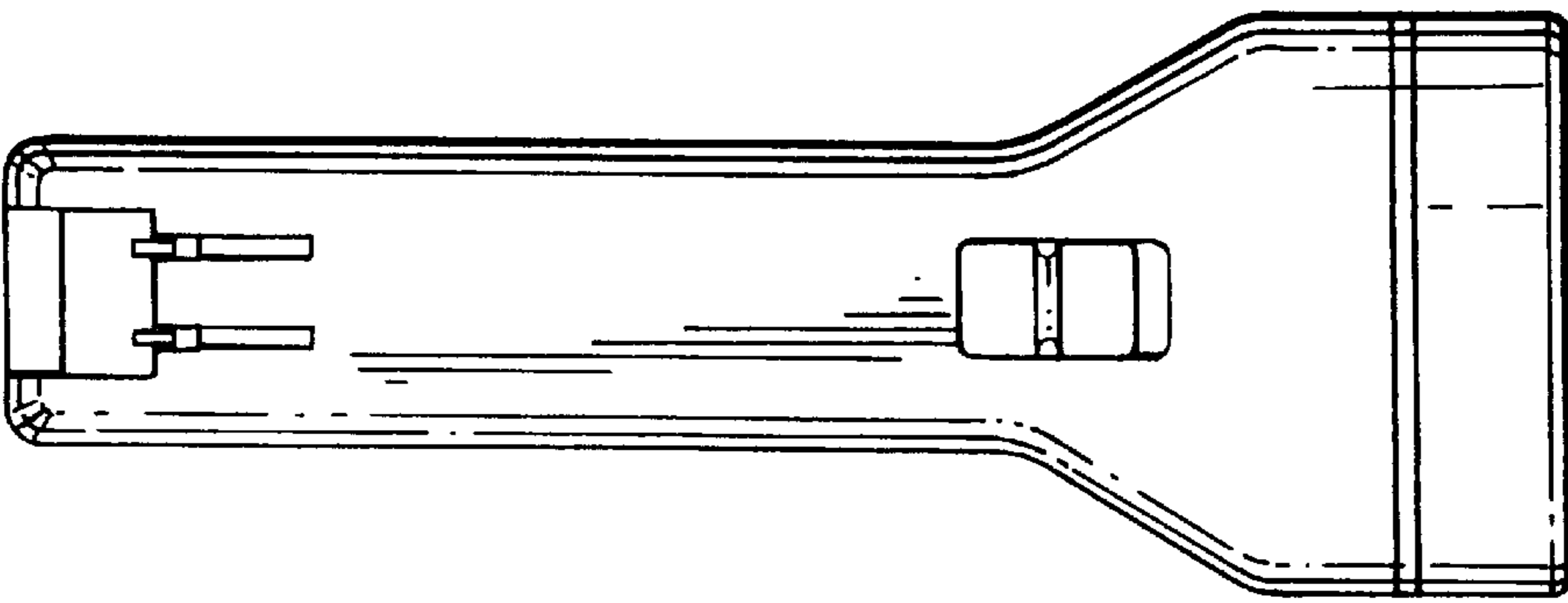


FIG. 12

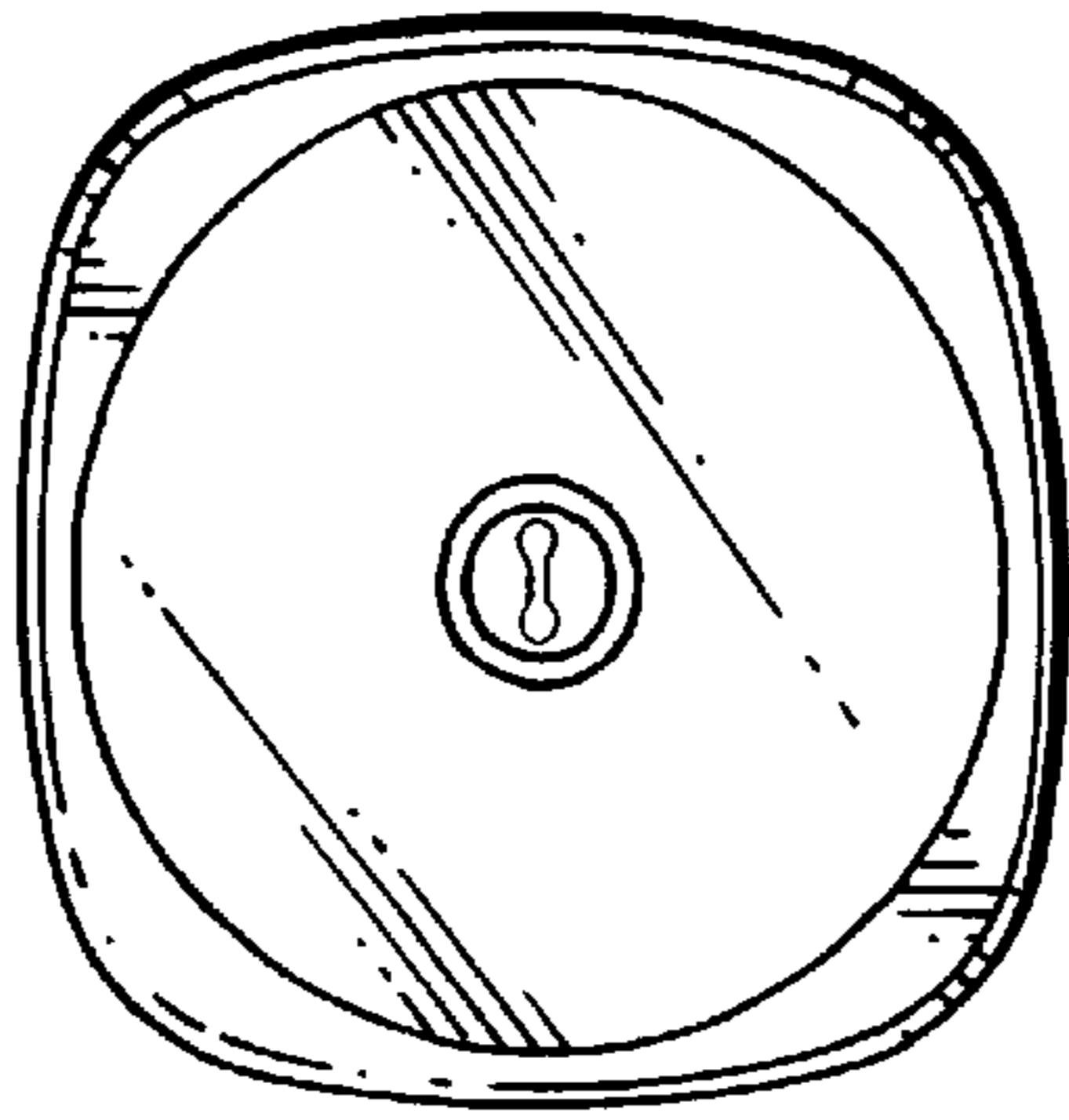


FIG. 13

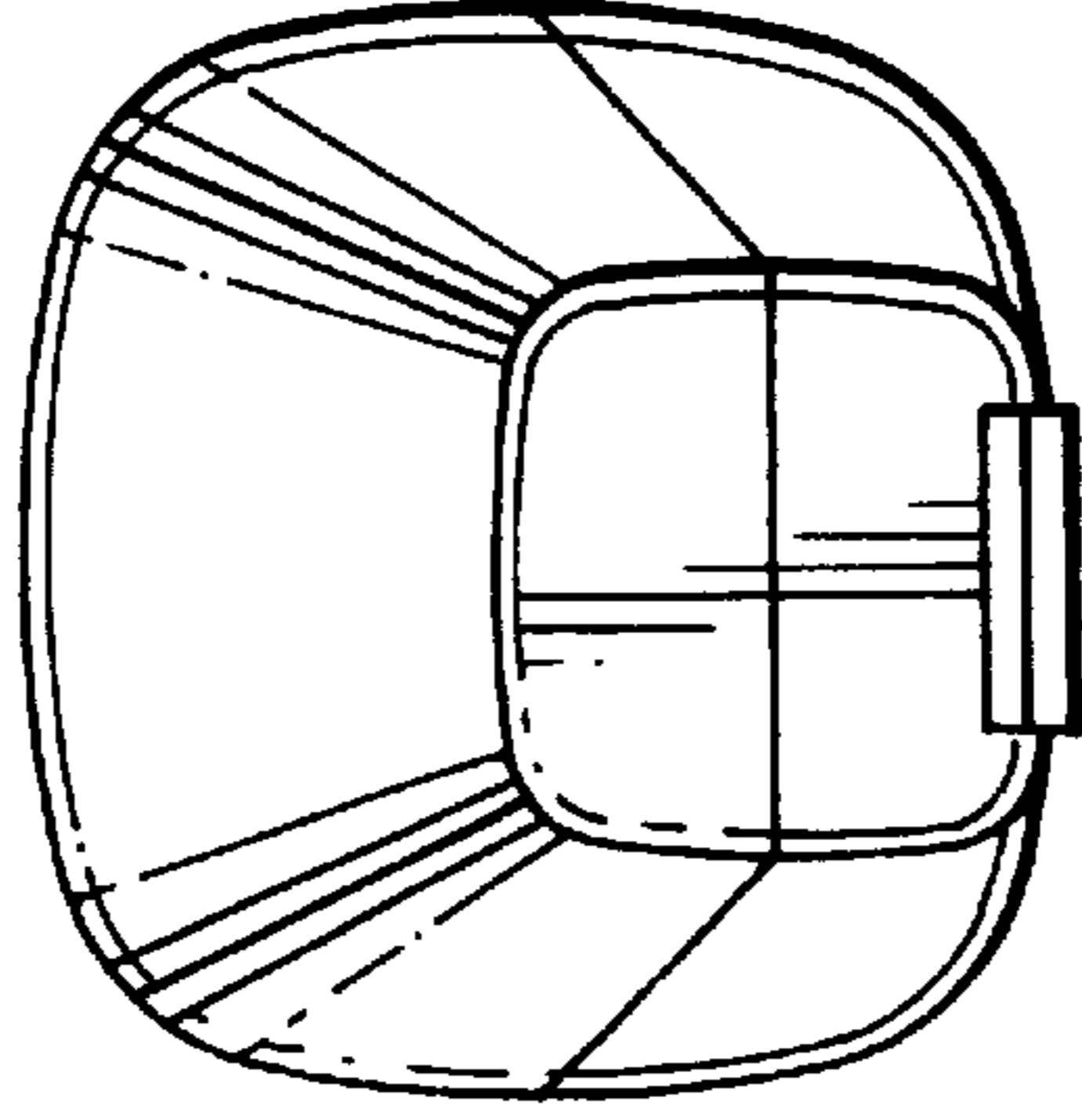


FIG. 14