



US00D407505S

United States Patent [19]

Hersh et al.

[11] **Patent Number: Des. 407,505**

[45] **Date of Patent: **Mar. 30, 1999**

[54] **WINDOW COMPONENT EXTRUSION**

[75] Inventors: **Jeffrey B. Hersh**, Wayne, Pa.;
Christopher Wetmore, Jackson;
Dennis Westphal, Parma, both of Mich.

[73] Assignee: **CertainTeed Corporation**, Valley Forge, Pa.

[**] Term: **14 Years**

[21] Appl. No.: **69,229**

[22] Filed: **Mar. 14, 1997**

[51] **LOC (6) Cl.** **25-01**

[52] **U.S. Cl.** **D25/124**

[58] **Field of Search** D25/52, 124, 125;
52/204.1, 204.5; 49/501, 504, DIG. 2

[56] **References Cited**

U.S. PATENT DOCUMENTS

D. 334,818 4/1993 Cole D25/124

D. 351,033 9/1994 Cole D25/124

Primary Examiner—Doris Clark
Attorney, Agent, or Firm—Duane, Morris & Heckscher

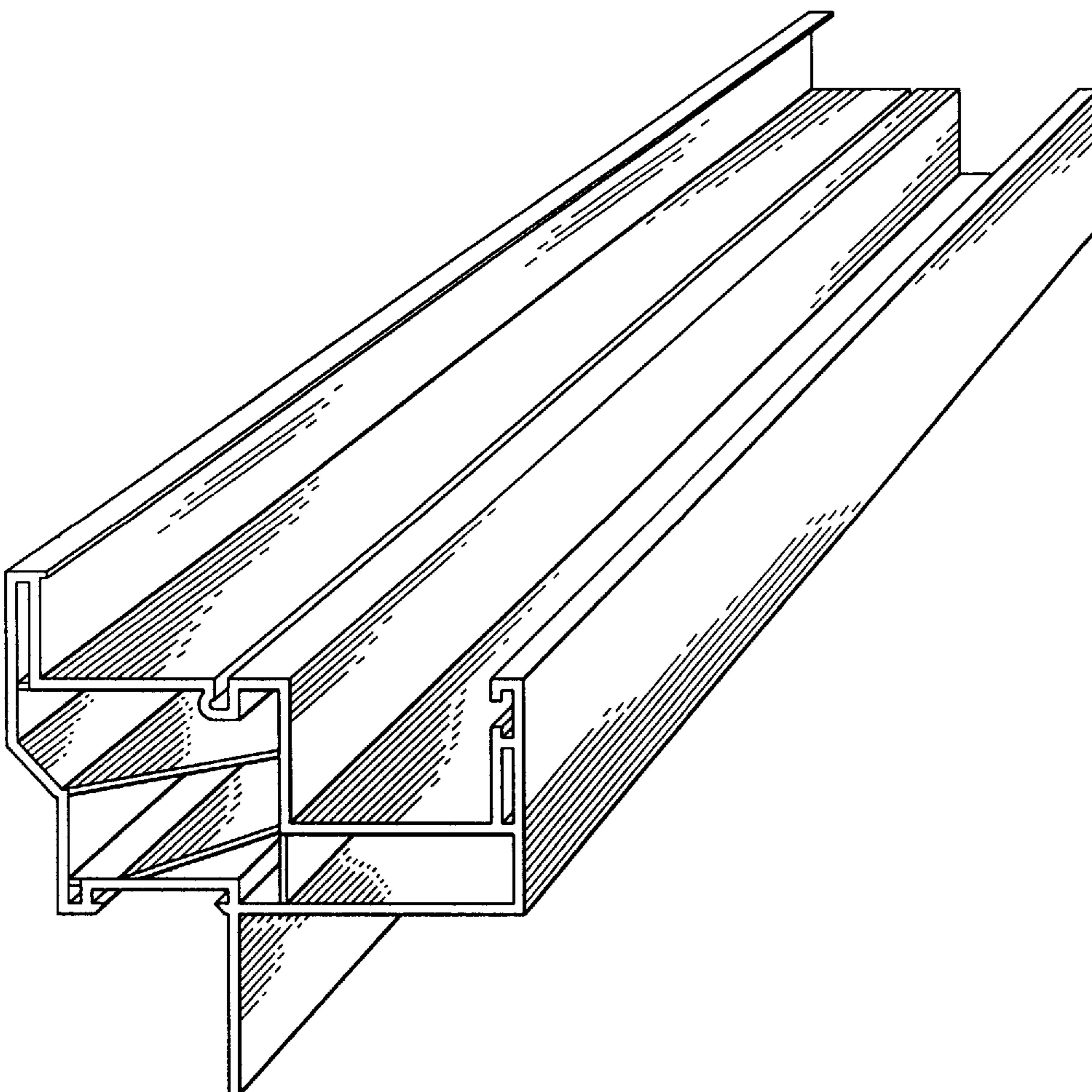
[57] **CLAIM**

The ornamental design for a window component extrusion, as shown and described.

DESCRIPTION

The FIGURE is a front perspective view of a window component extrusion showing our new design, the rear perspective view being a mirror image thereof.

1 Claim, 1 Drawing Sheet



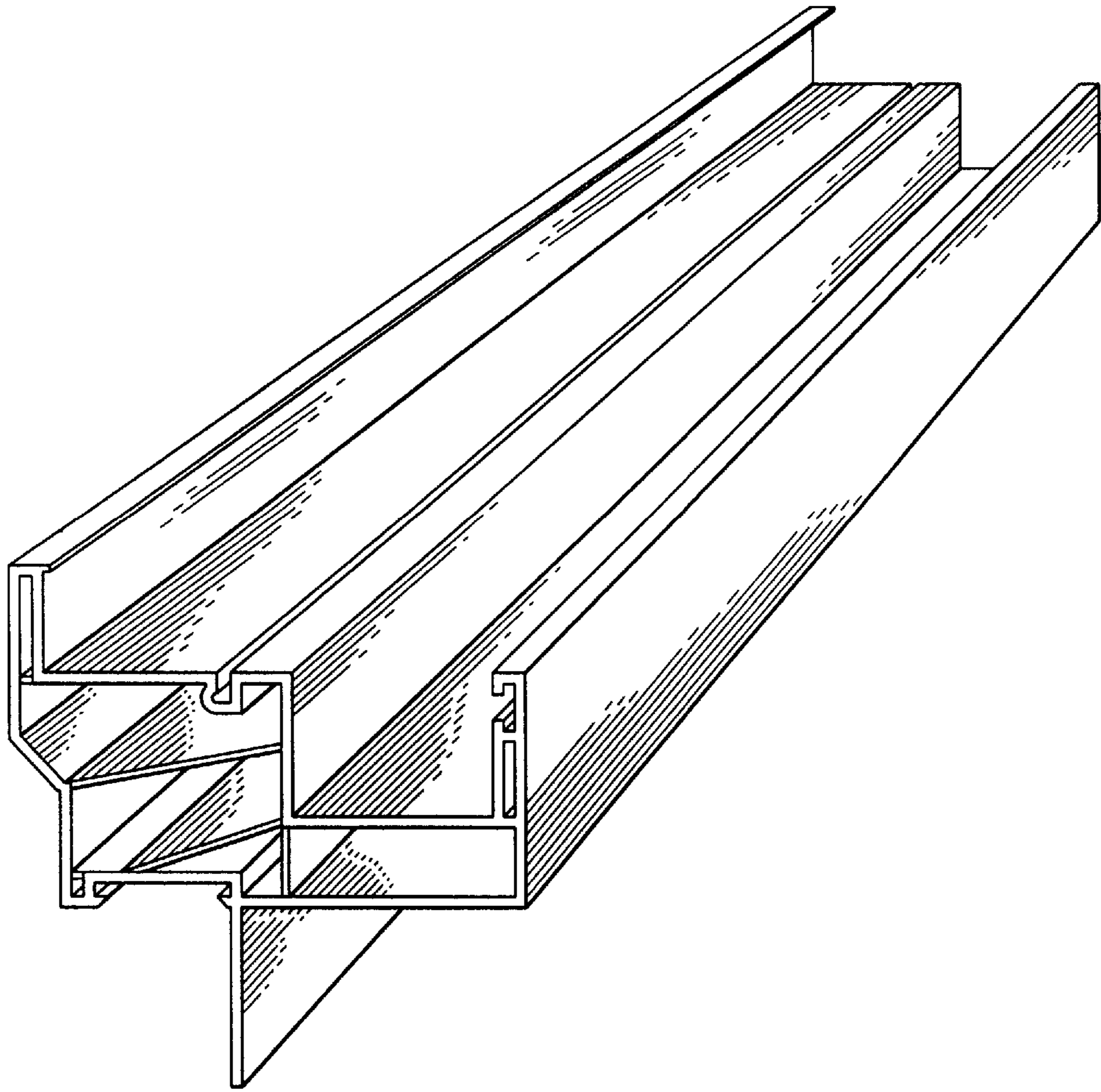


FIG. 1