



US00D407496S

# United States Patent [19] Varlet

[11] **Patent Number: Des. 407,496**

[45] **Date of Patent: \*\*Mar. 30, 1999**

[54] **BABY BOTTLE SCREW CAP**

5,316,160 5/1994 Cautereels ..... 215/11.1

[75] Inventor: **Marc F. Varlet**, Etel, France

*Primary Examiner*—Stella Reid  
*Attorney, Agent, or Firm*—Lowe Hauptman Gopstein  
Gilman & Berner

[73] Assignee: **Siep SA**, Etel, France

[\*\*] Term: **14 Years**

[57] **CLAIM**

[21] Appl. No.: **83,427**

The ornamental design for a baby bottle screw cap, as shown and described.

[22] Filed: **Jan. 29, 1998**

**DESCRIPTION**

[51] **LOC (6) Cl.** ..... **07-01**

[52] **U.S. Cl.** ..... **D24/197**

[58] **Field of Search** ..... D24/197; 215/11.1,  
215/11.2, 11.3, 11.4, 11.5, 11.6

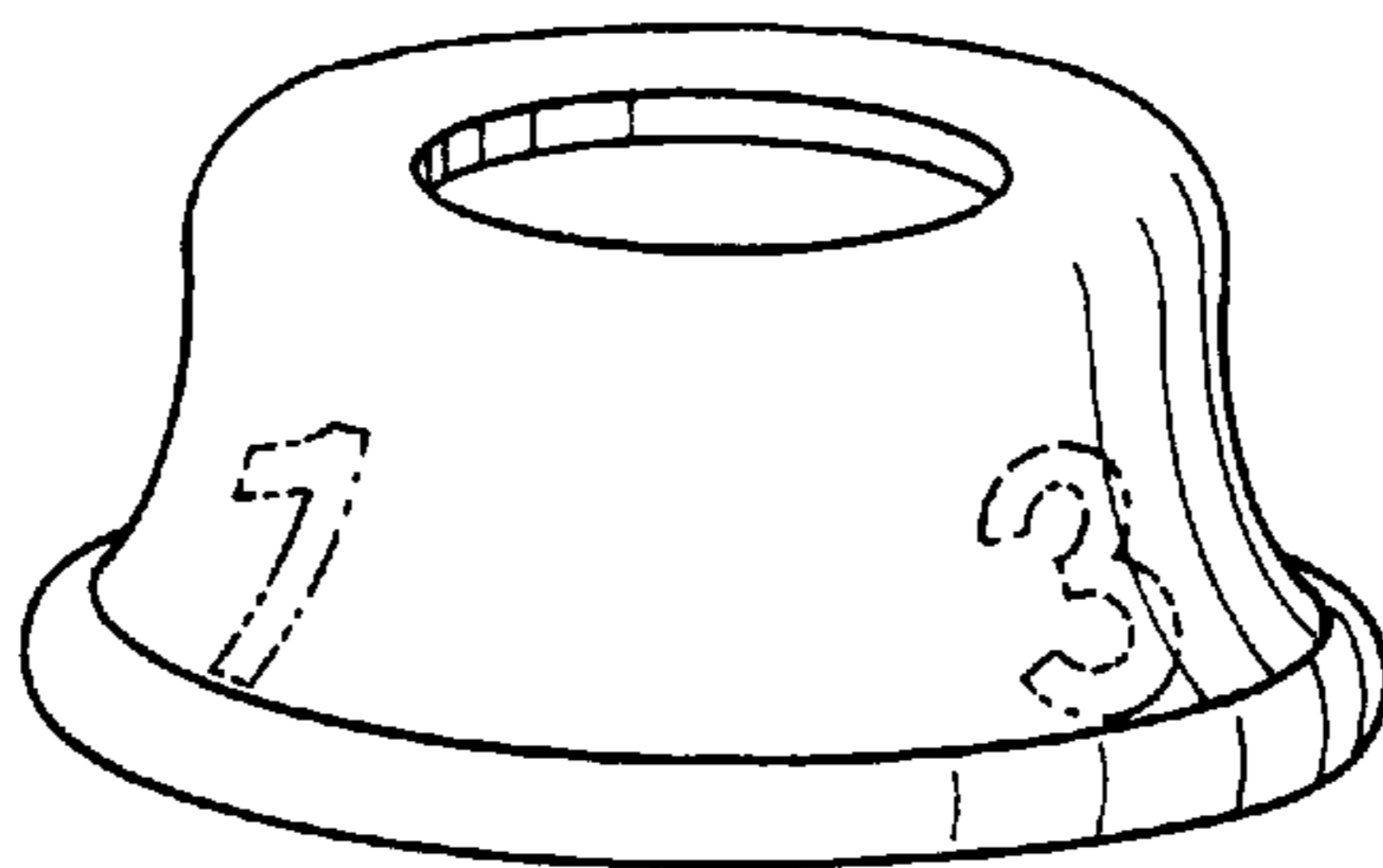
FIG. 1 is a front, top perspective view of a baby bottle screw cap, showing my new design;  
FIG. 2 is a front elevational view thereof, with all other sides being essentially the same as that shown;  
FIG. 3 is a top plan view thereof;  
FIG. 4 is a bottom plan view thereof; and,  
FIG. 5 is a cross-sectional view thereof taken along line 5—5 of FIG. 3. The broken line showing of the nipple is for illustrative purposes only and forms no part of the claimed design.

[56] **References Cited**

**U.S. PATENT DOCUMENTS**

4,623,068	11/1986	Brown et al.	.....	215/11.1
5,024,341	6/1991	Dekerle	.....	215/11.1
5,156,284	10/1992	del Pilar Pla Rodriguez et al.	.....	215/ 11.6

**1 Claim, 1 Drawing Sheet**



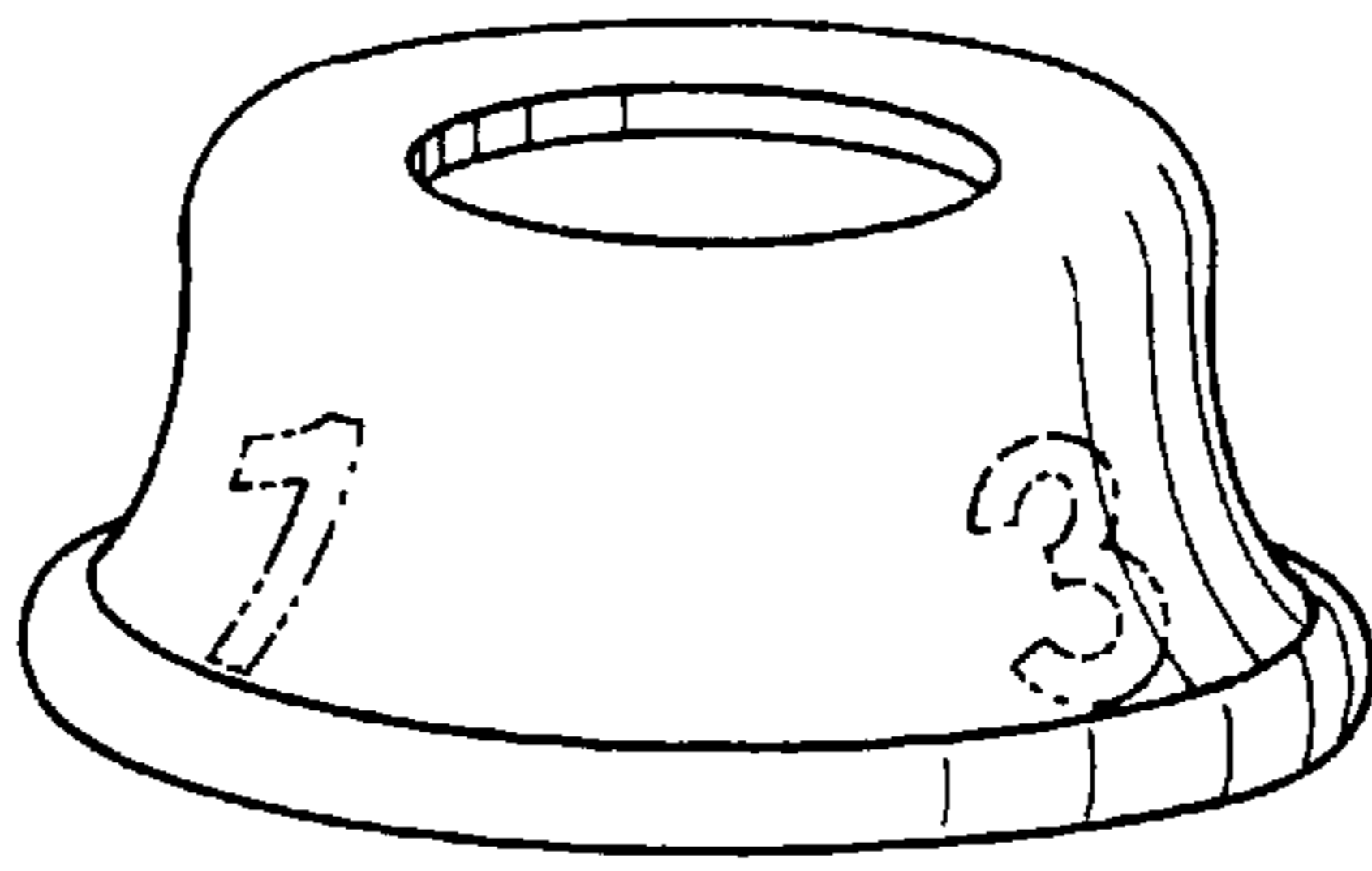


Fig. 1

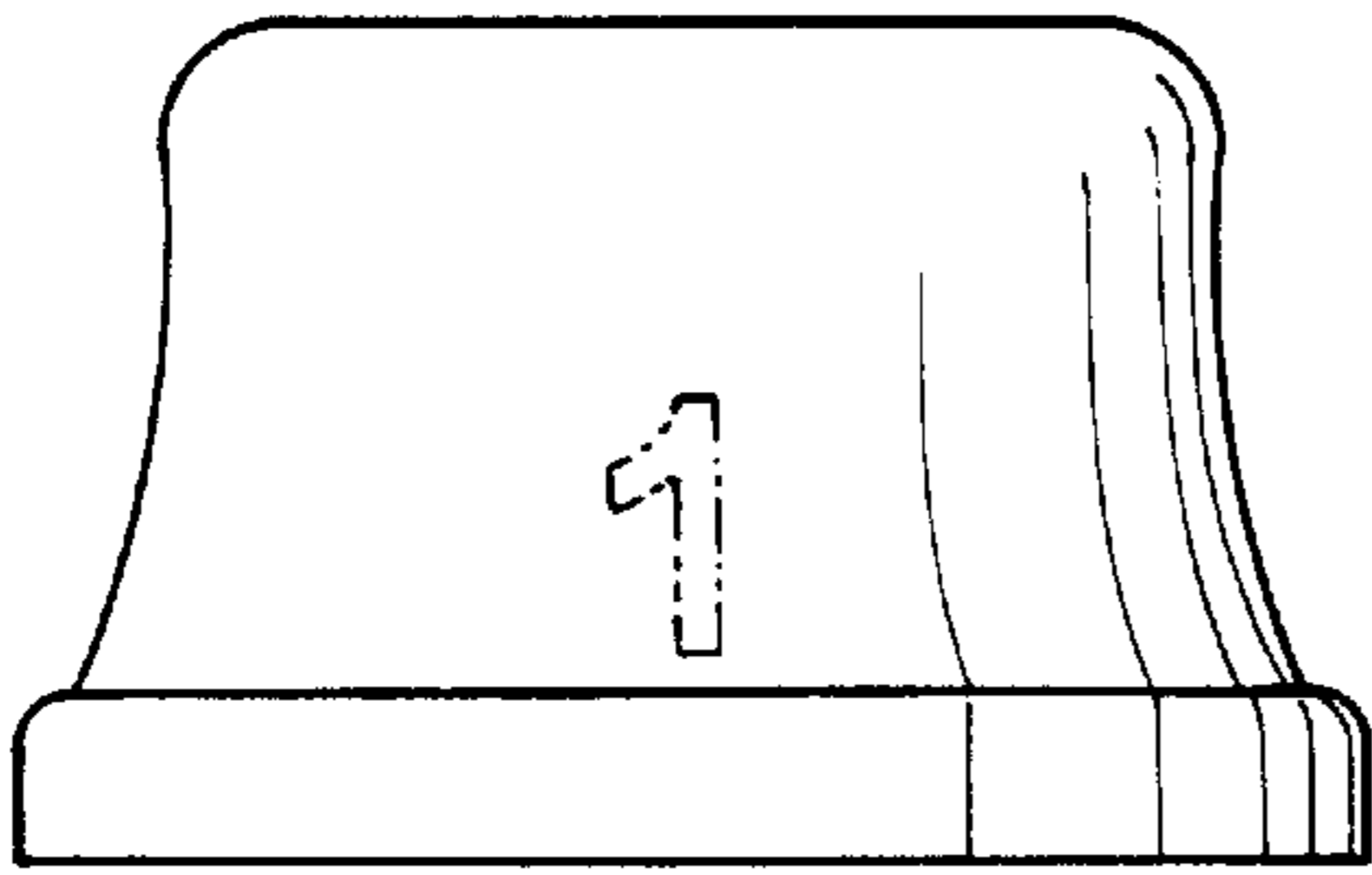


Fig. 2

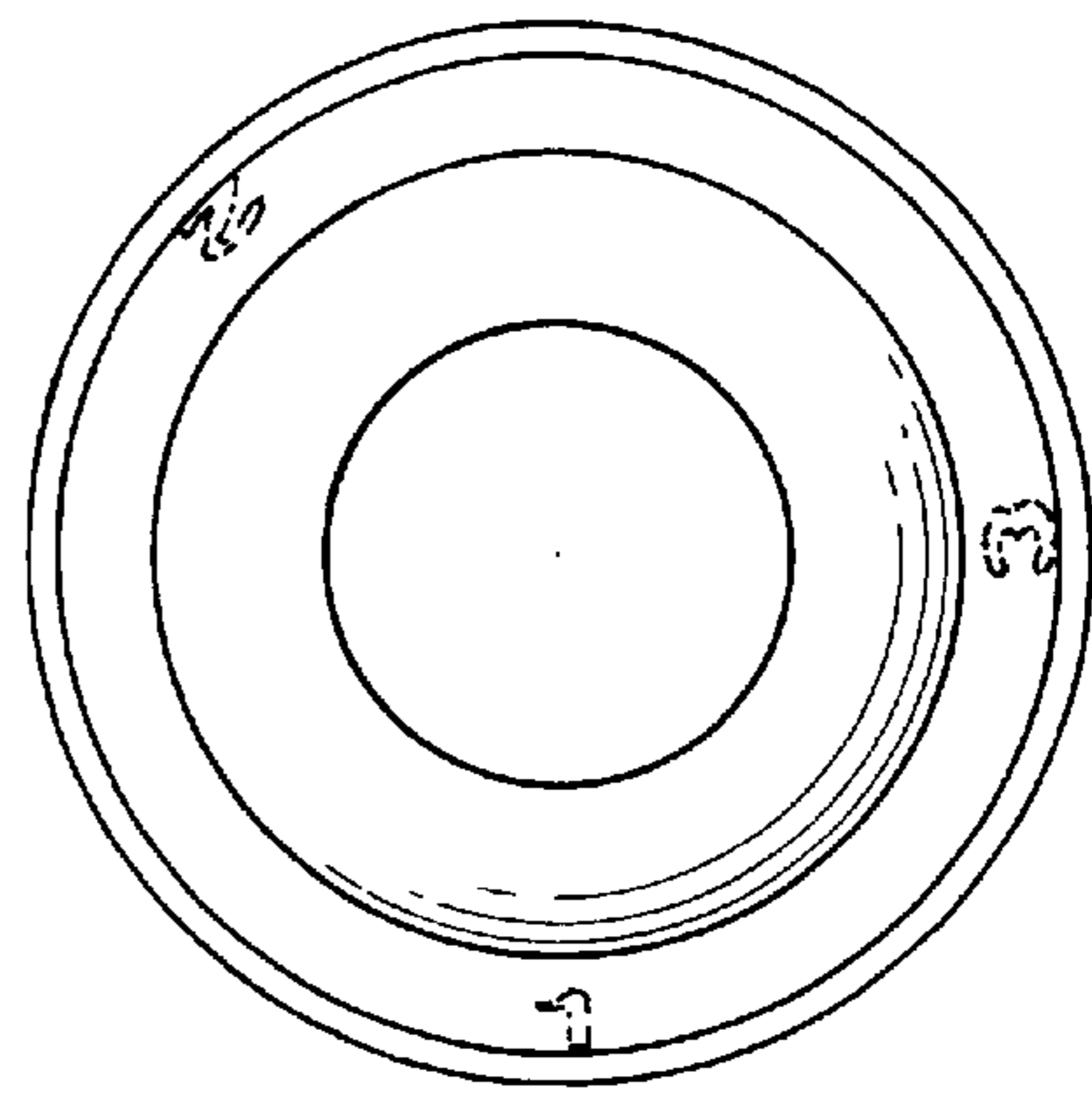


Fig. 3

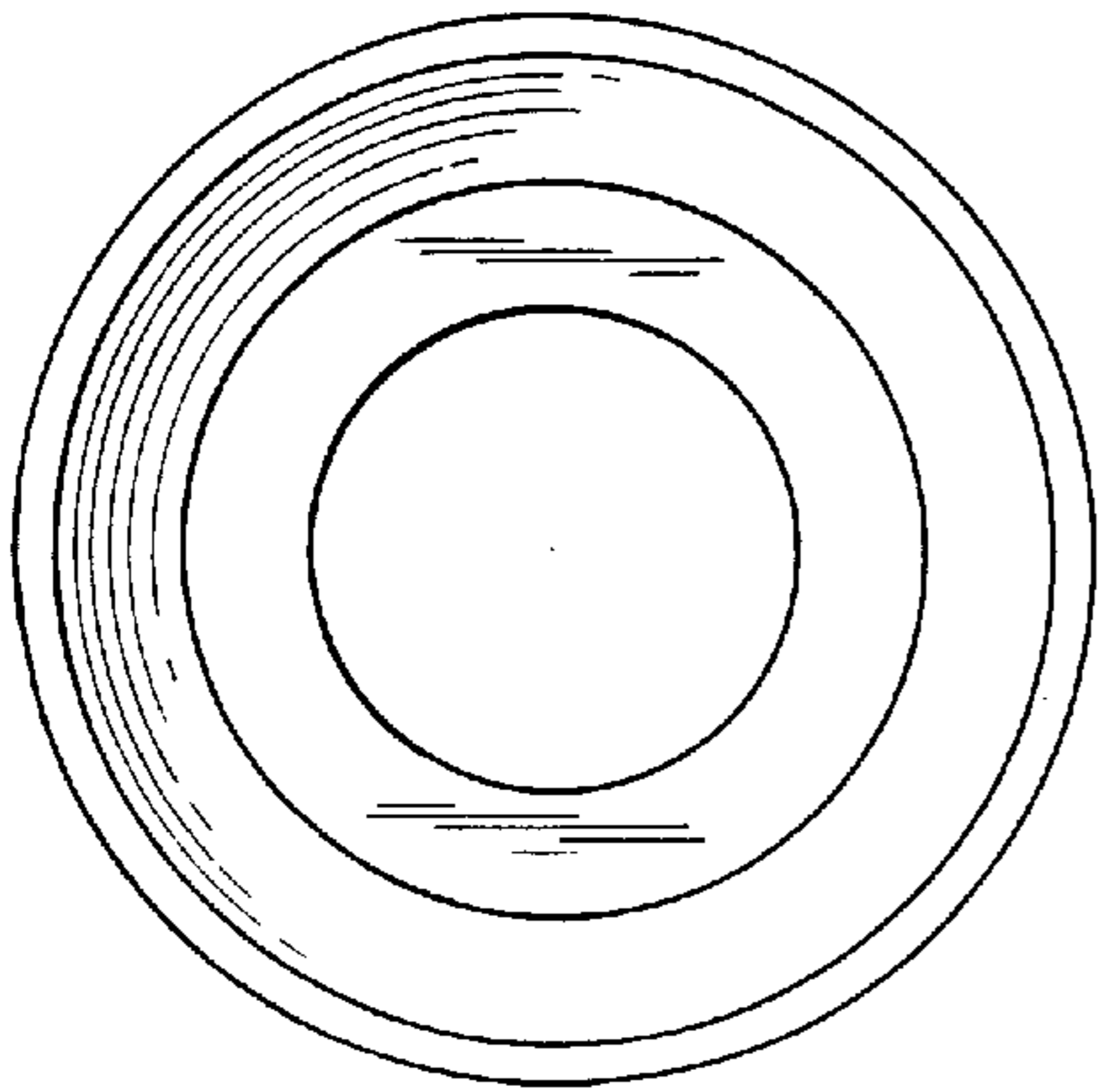


Fig. 4

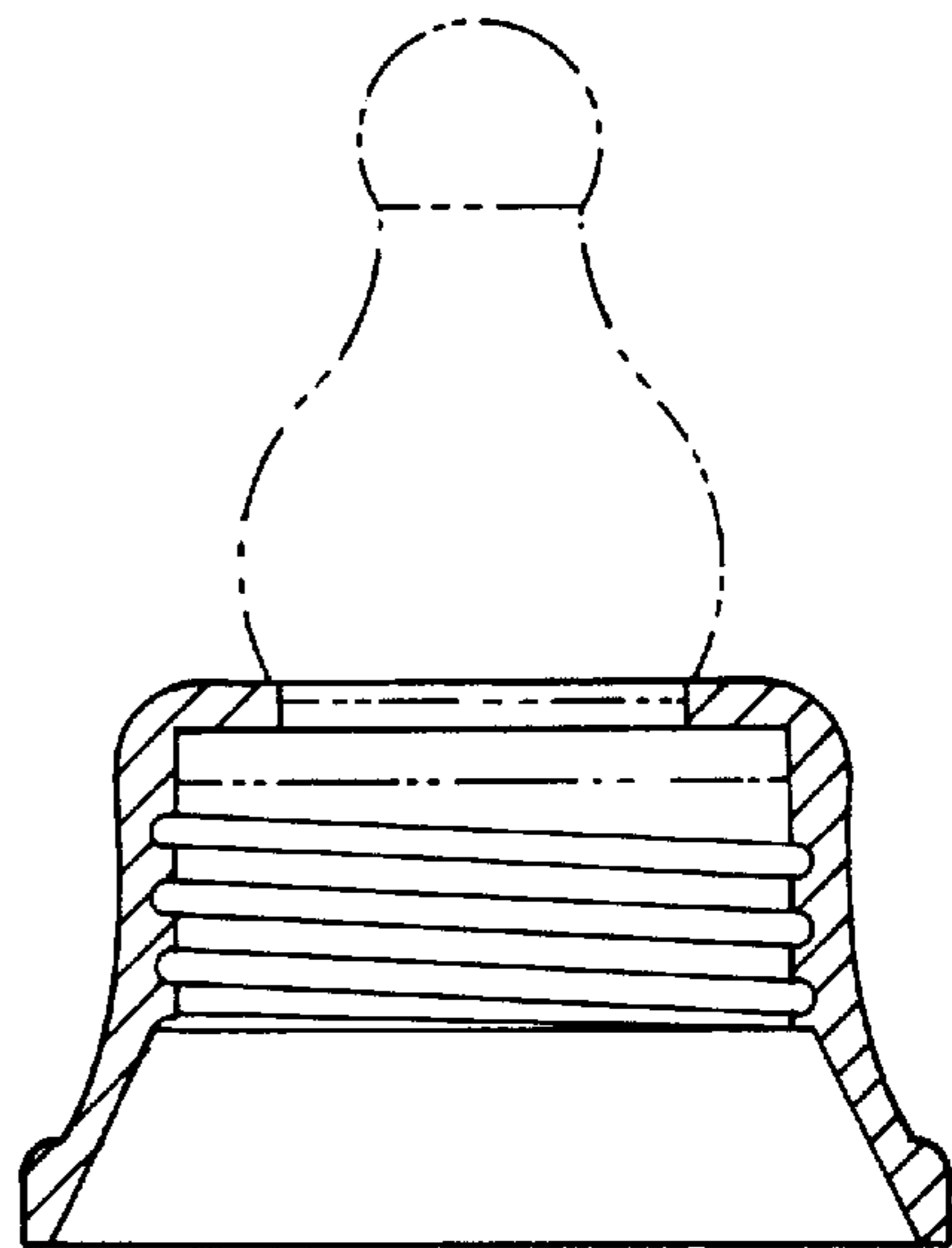


Fig. 5