



US00D407492S

United States Patent [19]

Lubs et al.

[11] **Patent Number: Des. 407,492**

[45] **Date of Patent: **Mar. 30, 1999**

[54] **BLOOD PRESSURE MEASURING DEVICE**

[75] Inventors: **Dietrich Lubs**, Bad Homburg; **Björn Kling**, Frankfurt/M, both of Germany

[73] Assignee: **Braun Aktiengesellschaft**, Frankfurt, Germany

[**] Term: **14 Years**

[21] Appl. No.: **89,495**

[22] Filed: **Jun. 16, 1998**

[30] **Foreign Application Priority Data**

Dec. 17, 1997 [XH] Hague Agreement DM 042 372

[51] **LOC (6) Cl.** **24-01**

[52] **U.S. Cl.** **D24/165**

[58] **Field of Search** D24/165; 600/503, 600/502, 499, 494, 490, 492, 500, 485

[56] **References Cited**

U.S. PATENT DOCUMENTS

D. 345,607 3/1994 Sodeoka et al. D24/165

D. 356,377 3/1995 Tsubota et al. D24/165
D. 373,419 9/1996 Muramatsu et al. D24/165
5,687,732 11/1997 Inagaki et al. 600/485
5,795,300 8/1998 Bryars 600/500

Primary Examiner—Stella Reid
Attorney, Agent, or Firm—Fish & Richardson P.C.

[57] **CLAIM**

The ornamental design for a blood pressure measuring device, as shown and described.

DESCRIPTION

FIG. 1 is a top, front perspective view of a blood pressure measuring device, showing our new design;
FIG. 2 is a bottom plan view thereof;
FIG. 3 is a side view thereof;
FIG. 4 is a side view thereof, opposite that shown in FIG. 3;
FIG. 5 is a top plan view thereof;
FIG. 6 is a front view thereof; and,
FIG. 7 is a rear view thereof.

1 Claim, 4 Drawing Sheets

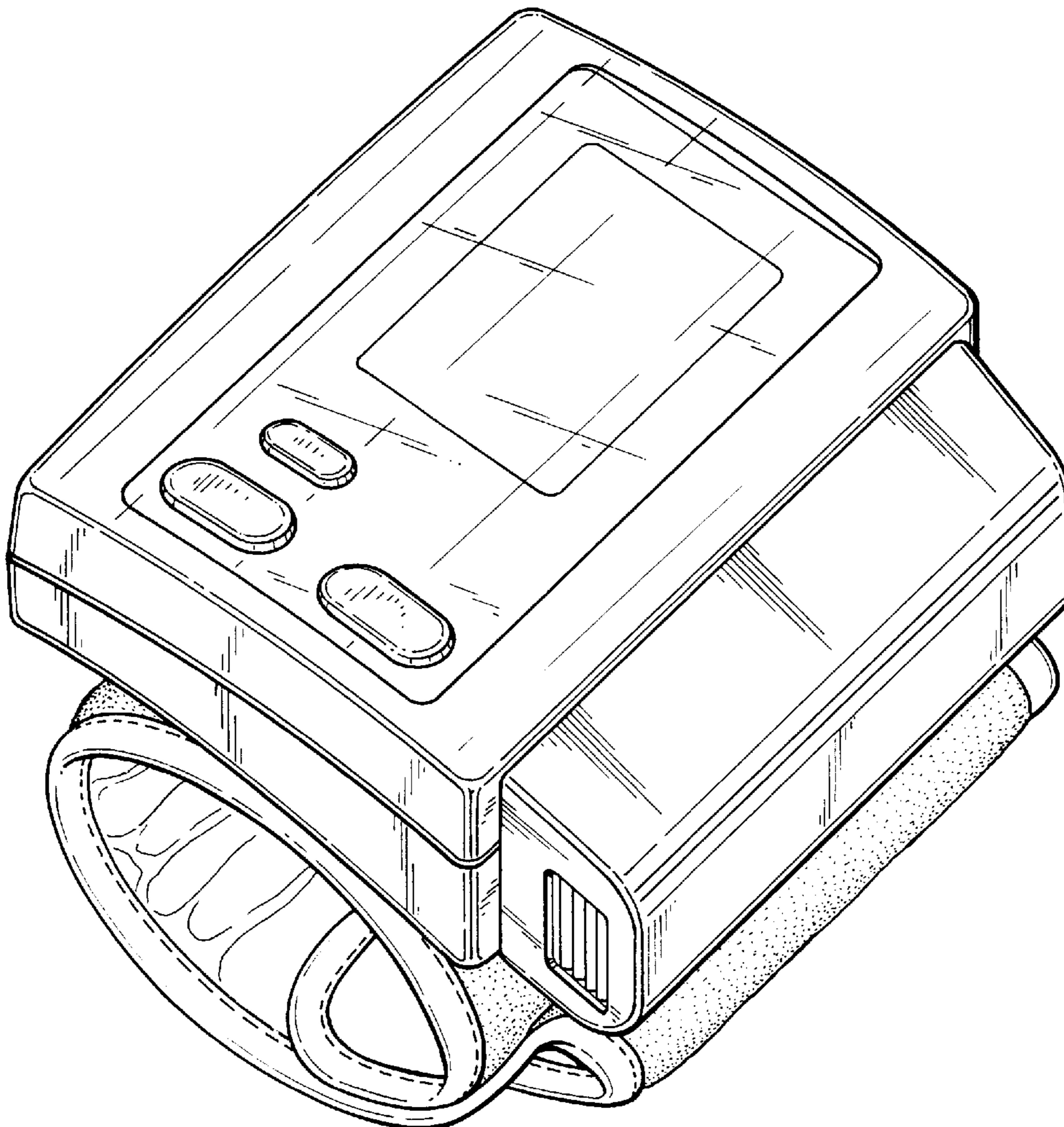


Fig. 1

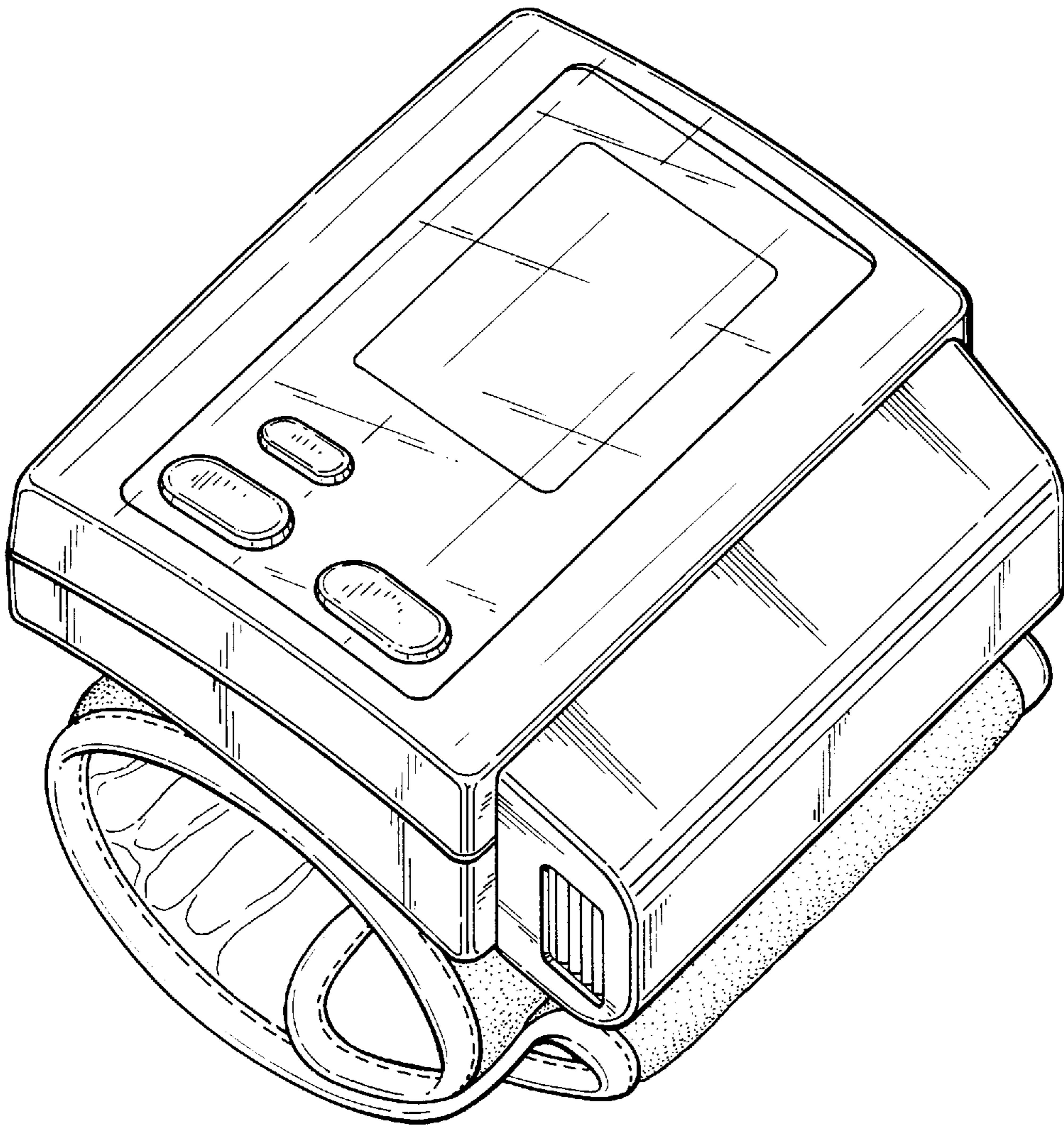


Fig. 6

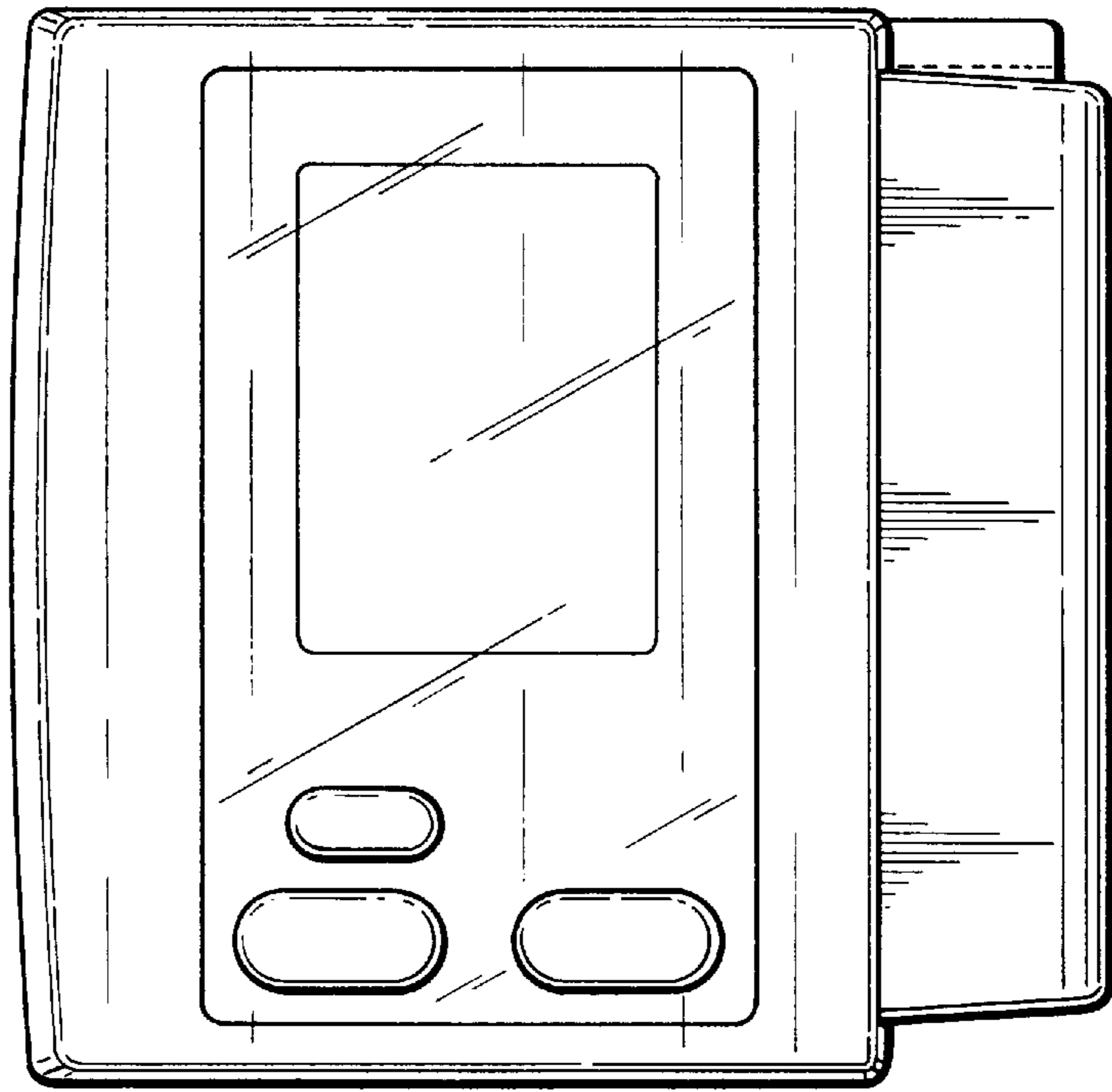


Fig. 2

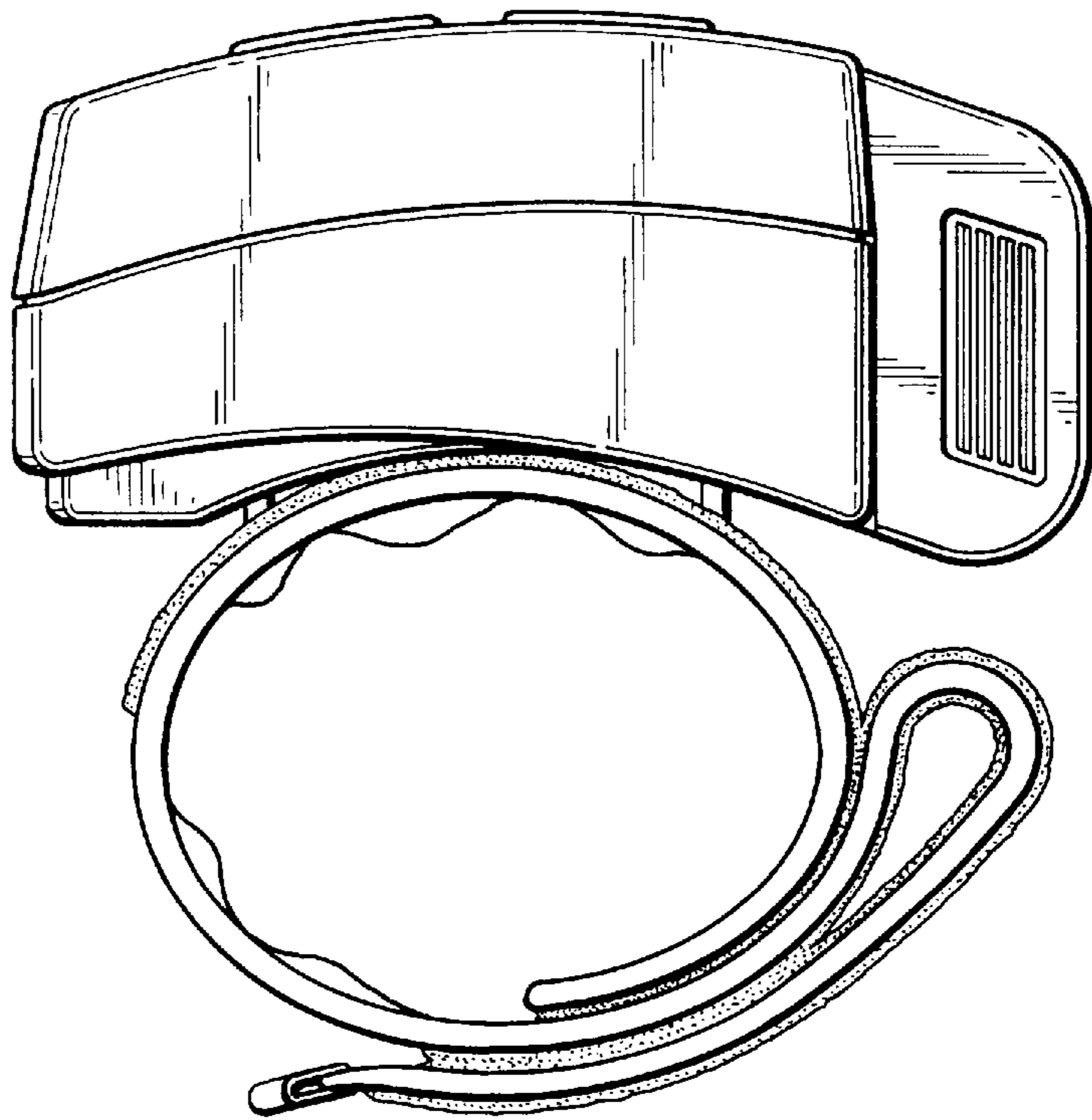


Fig. 3

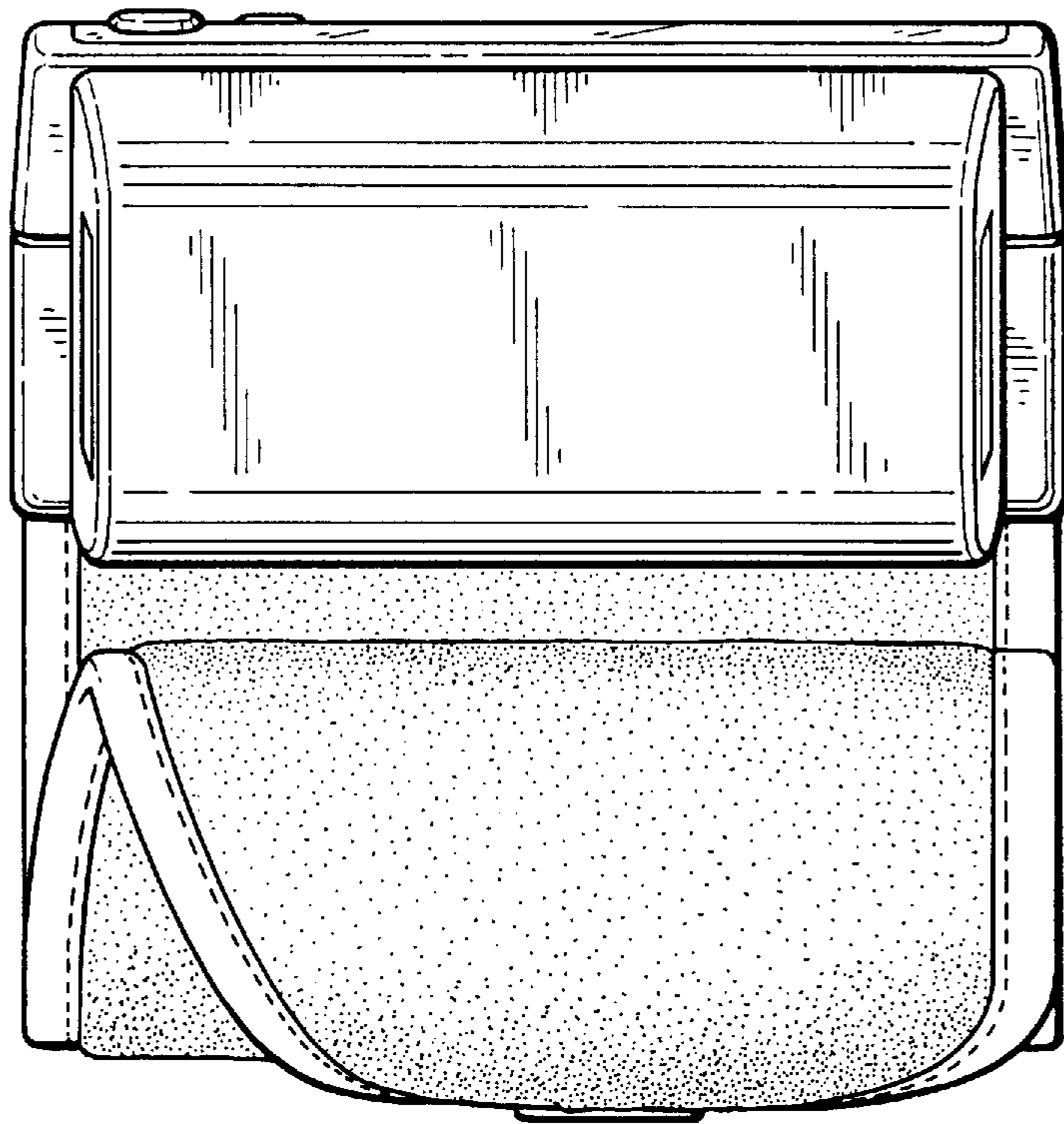


Fig. 4

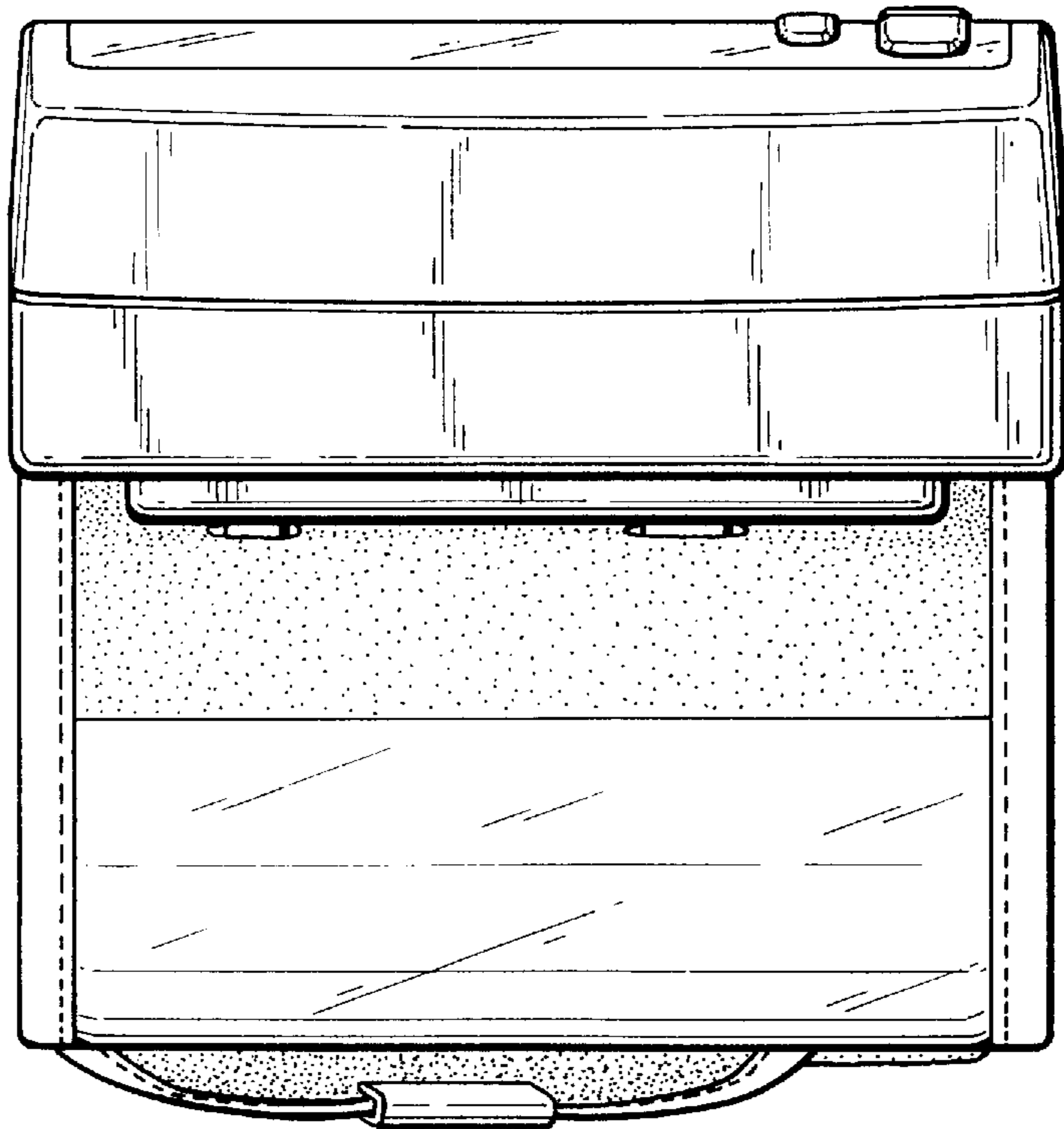


Fig. 5

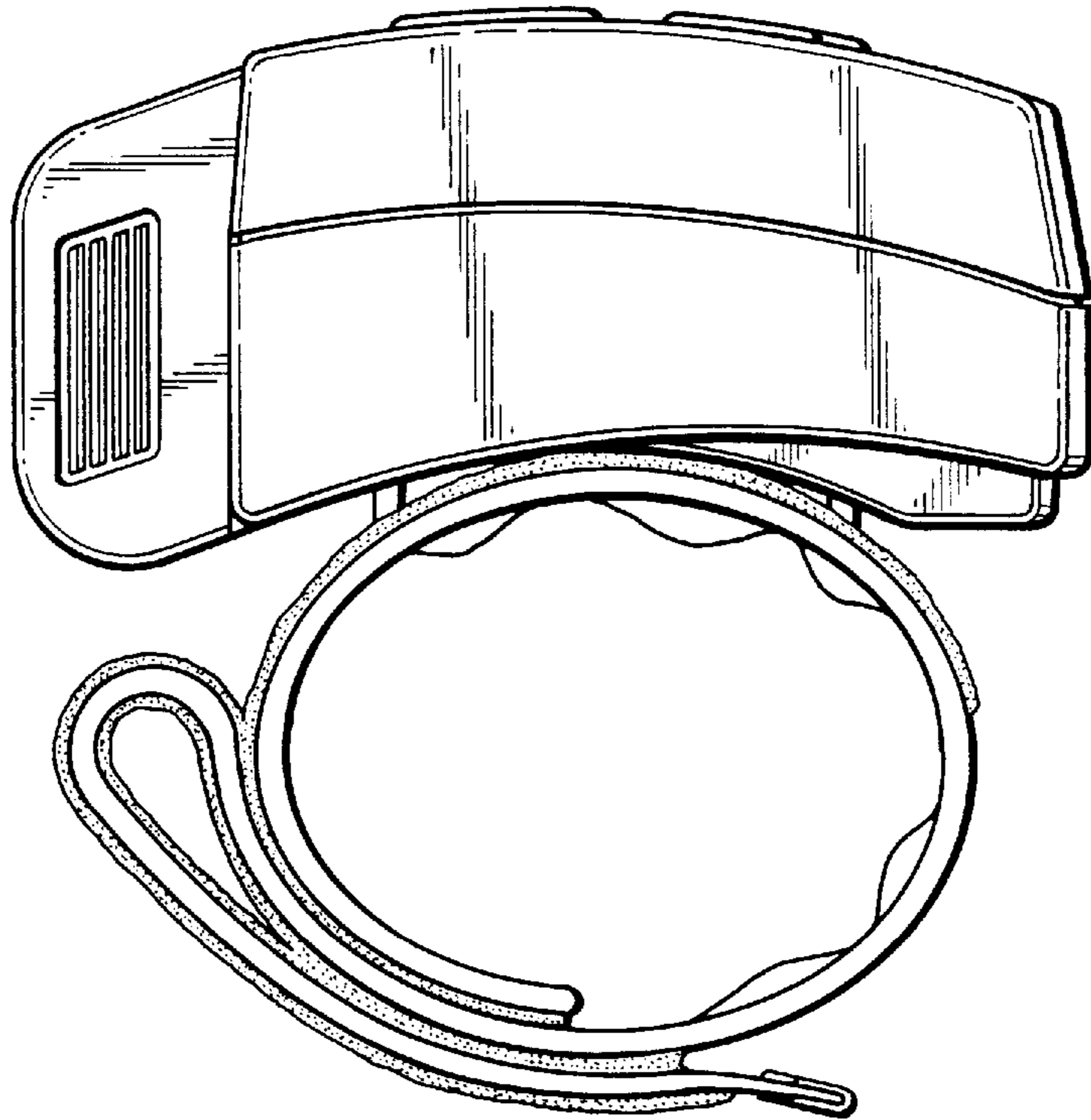


Fig. 7

