



US00D407491S

# United States Patent [19] Rocha

[11] **Patent Number: Des. 407,491**  
[45] **Date of Patent: \*\*Mar. 30, 1999**

[54] **FILTER UNIT HAVING PROTECTIVE VIAL CONNECTION**

[75] Inventor: **Andrew John Rocha**, Long Beach, Calif.

[73] Assignee: **Medical Chemical Corp.**, Torrance, Calif.

[\*\*] Term: **14 Years**

[21] Appl. No.: **81,334**

[22] Filed: **Dec. 30, 1997**

[51] **LOC (6) Cl.** ..... **24-01**

[52] **U.S. Cl.** ..... **D24/162**

[58] **Field of Search** ..... D24/162; 210/238, 210/232, 436, 446, 453, 455, 472, 474, 650; 422/99, 100, 101, 102

### [56] **References Cited**

#### U.S. PATENT DOCUMENTS

D. 285,487	9/1986	Tjernagel	.....	D24/162
D. 382,963	8/1997	Didier	.....	D24/162
4,783,318	11/1988	Lapakko	.....	422/101
4,832,851	5/1989	Bowers et al.	.....	210/650
5,104,533	4/1992	Szabados	.....	210/257.1
5,108,381	4/1992	Kouozsi	.....	210/436 X
5,208,161	5/1993	Saunders et al.	.....	422/101 X
5,264,184	11/1993	Aysta et al.	.....	422/101
5,308,483	5/1994	Skylar et al.	.....	210/232

5,482,618	1/1996	Hall	.....	210/85
5,489,385	2/1996	Raabe et al.	.....	210/448
5,501,841	3/1996	Lee et al.	.....	422/101
5,518,612	5/1996	Kayal et al.	.....	210/232
5,534,228	7/1996	Wessler	.....	422/103
5,556,544	9/1996	Didier	.....	210/436
5,601,711	2/1997	Sklar et al.	.....	210/238
5,603,900	2/1997	Clark et al.	.....	422/101
5,624,554	4/1997	Faulkner et al.	.....	210/232

*Primary Examiner*—Stella Reid

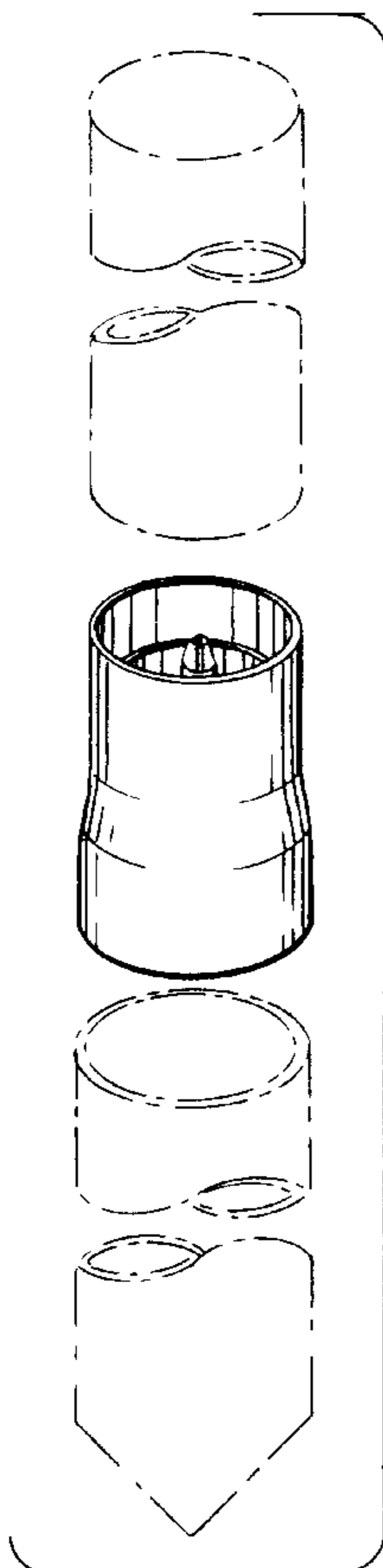
### [57] **CLAIM**

The ornamental design for a filter unit having protective vial connection, as shown and described.

### **DESCRIPTION**

FIG. 1 is a front elevational view of a filter unit having protective vial connection, showing my new design; with the broken line showing of the vials being for illustrative purposes only and forming no part of the claimed design; FIG. 2 is an exploded perspective view thereof; with the broken line showing of the collection tubes being for illustrative purposes only and forming no part of the claimed design; FIG. 3 is a top plan view thereof; FIG. 4 is a front elevational view thereof, with all other sides being a mirror image thereof; and, FIG. 5 is a bottom plan view thereof.

**1 Claim, 1 Drawing Sheet**



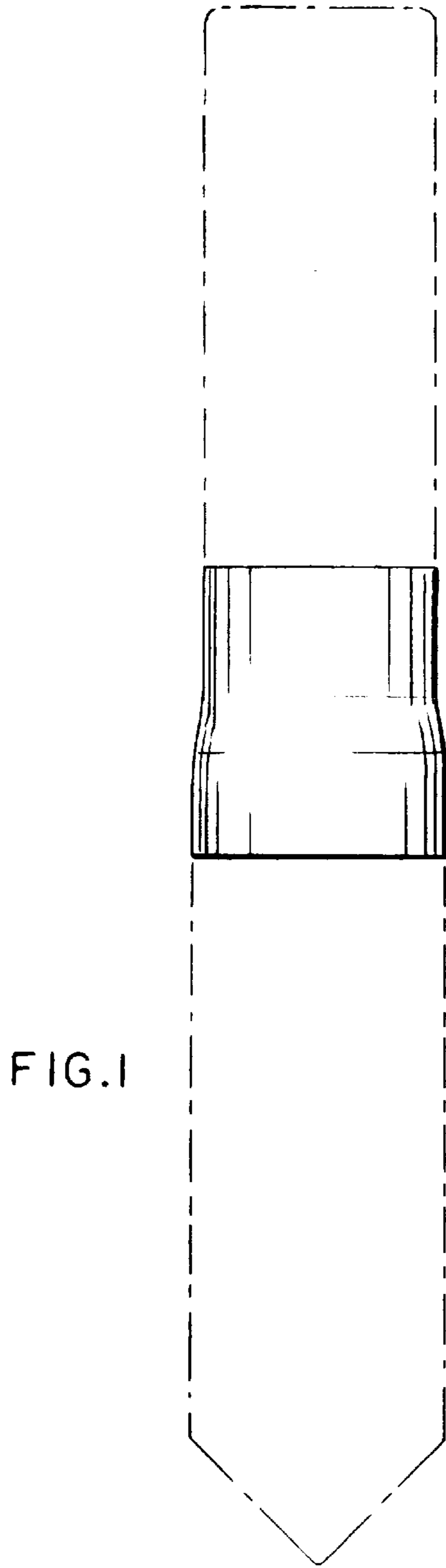


FIG. 1

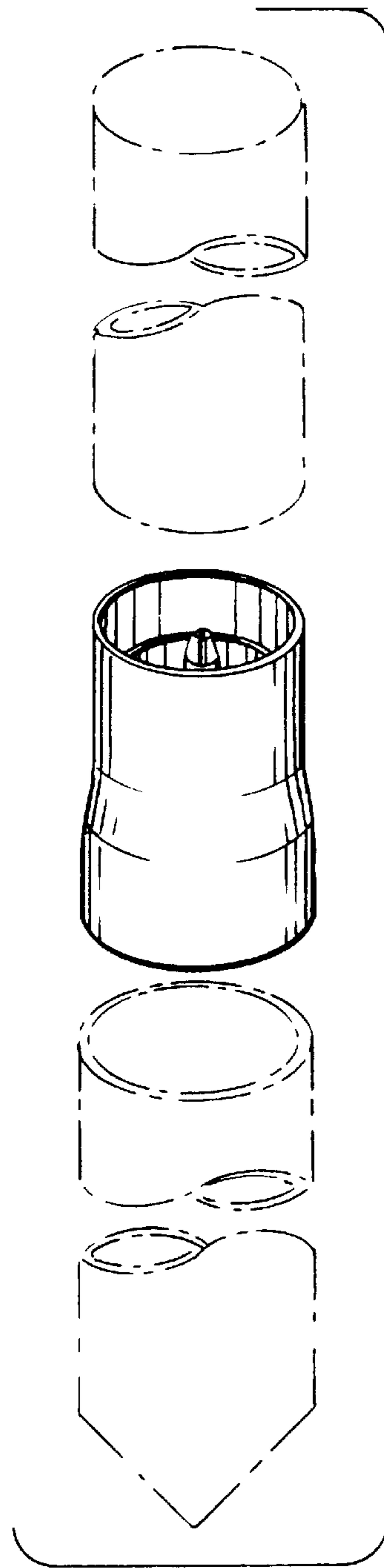


FIG. 2

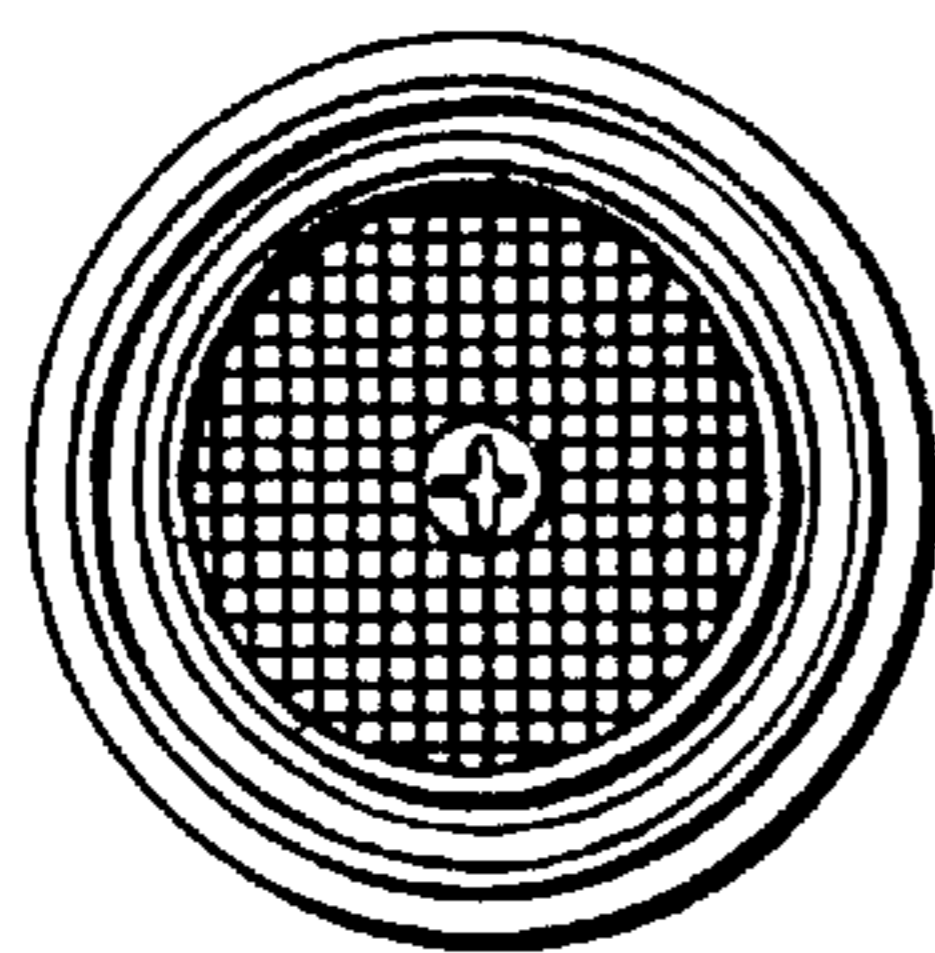


FIG. 3

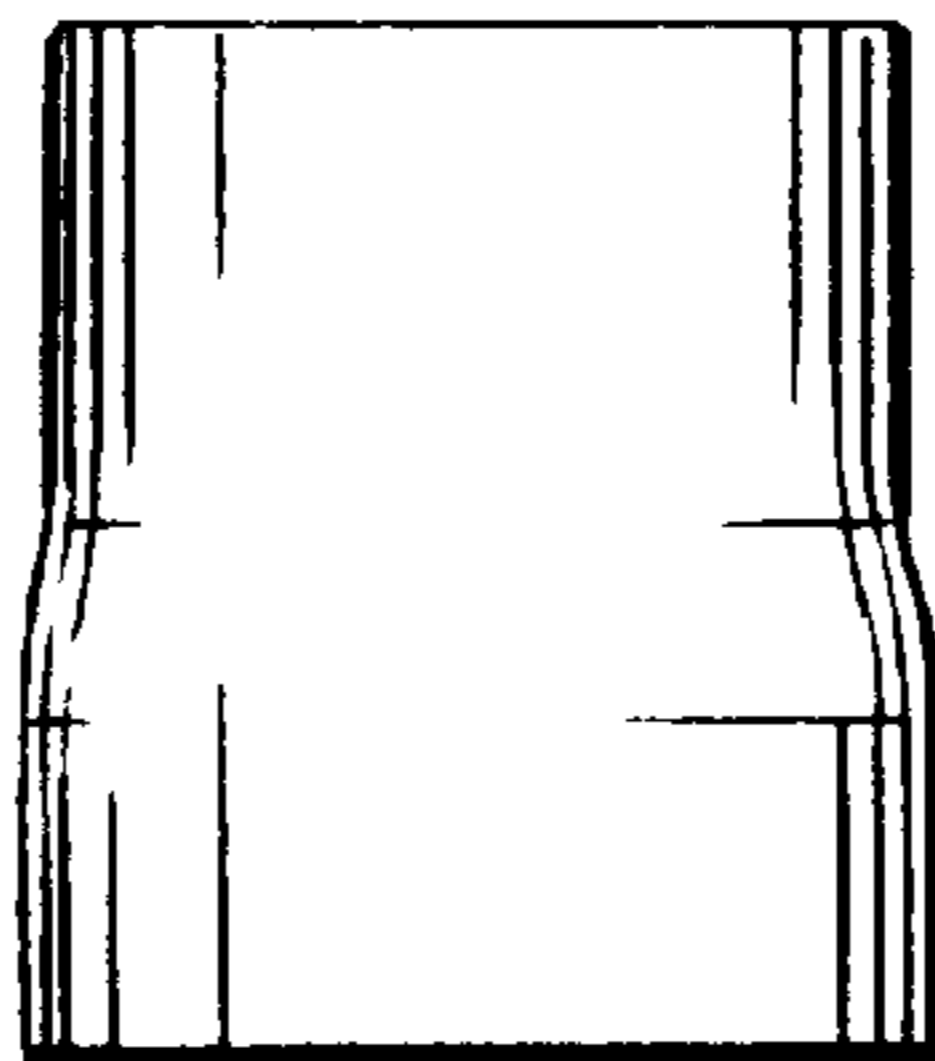


FIG. 4

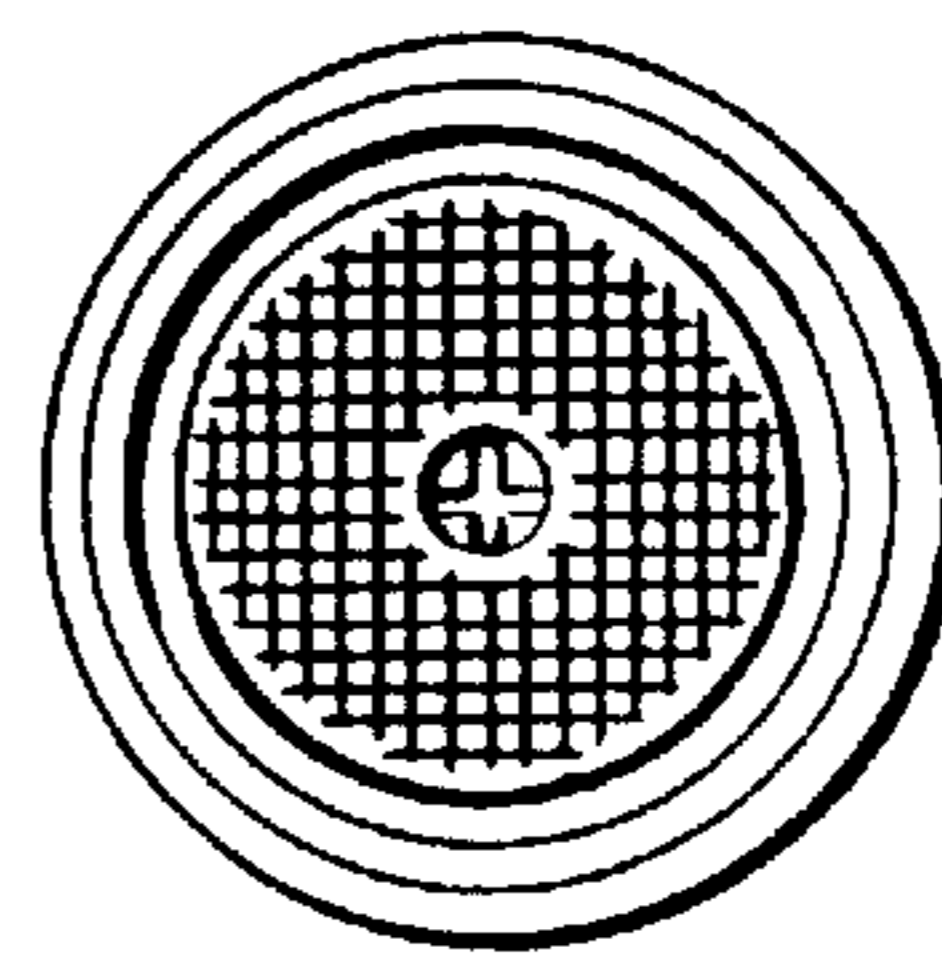


FIG. 5