



US00D407490S

# United States Patent [19]

Zepf et al.

[11] **Patent Number: Des. 407,490**

[45] **Date of Patent: \*\*Mar. 30, 1999**

[54] **KNEE JOINT ORTHOTIC DEVICE**

[75] Inventors: **Armin Zepf**, Ulm; **Matthias Schilling**, Weissenborn-Lüderode, both of Germany

[73] Assignee: **Otto Bock Orthopaedische Industrie Besitz und Verwaltungs Kommanditgesellschaft**, Duederstas, Germany

[\*\*] Term: **14 Years**

[21] Appl. No.: **84,254**

[22] Filed: **Feb. 27, 1998**

[30] **Foreign Application Priority Data**

Aug. 28, 1997 [DE] Germany ..... 97 08 067.5

[51] **LOC (6) Cl.** ..... **24-03**

[52] **U.S. Cl.** ..... **D24/155**

[58] **Field of Search** ..... D24/155; 623/39, 623/41, 42, 43, 45, 46

[56] **References Cited**

**U.S. PATENT DOCUMENTS**

D. 383,542 9/1997 Wellershaus et al. .... D24/155

|           |         |                    |        |
|-----------|---------|--------------------|--------|
| 3,923,047 | 12/1975 | Chant .....        | 623/43 |
| 5,246,465 | 9/1993  | Rincoe et al. .... | 623/39 |
| 5,376,134 | 12/1994 | Beidermann .....   | 623/39 |
| 5,645,590 | 7/1997  | Van De Veen .....  | 623/46 |

*Primary Examiner*—Louis S. Zarfes  
*Assistant Examiner*—Gregory Andoll  
*Attorney, Agent, or Firm*—Whitham, Curtis & Whitham

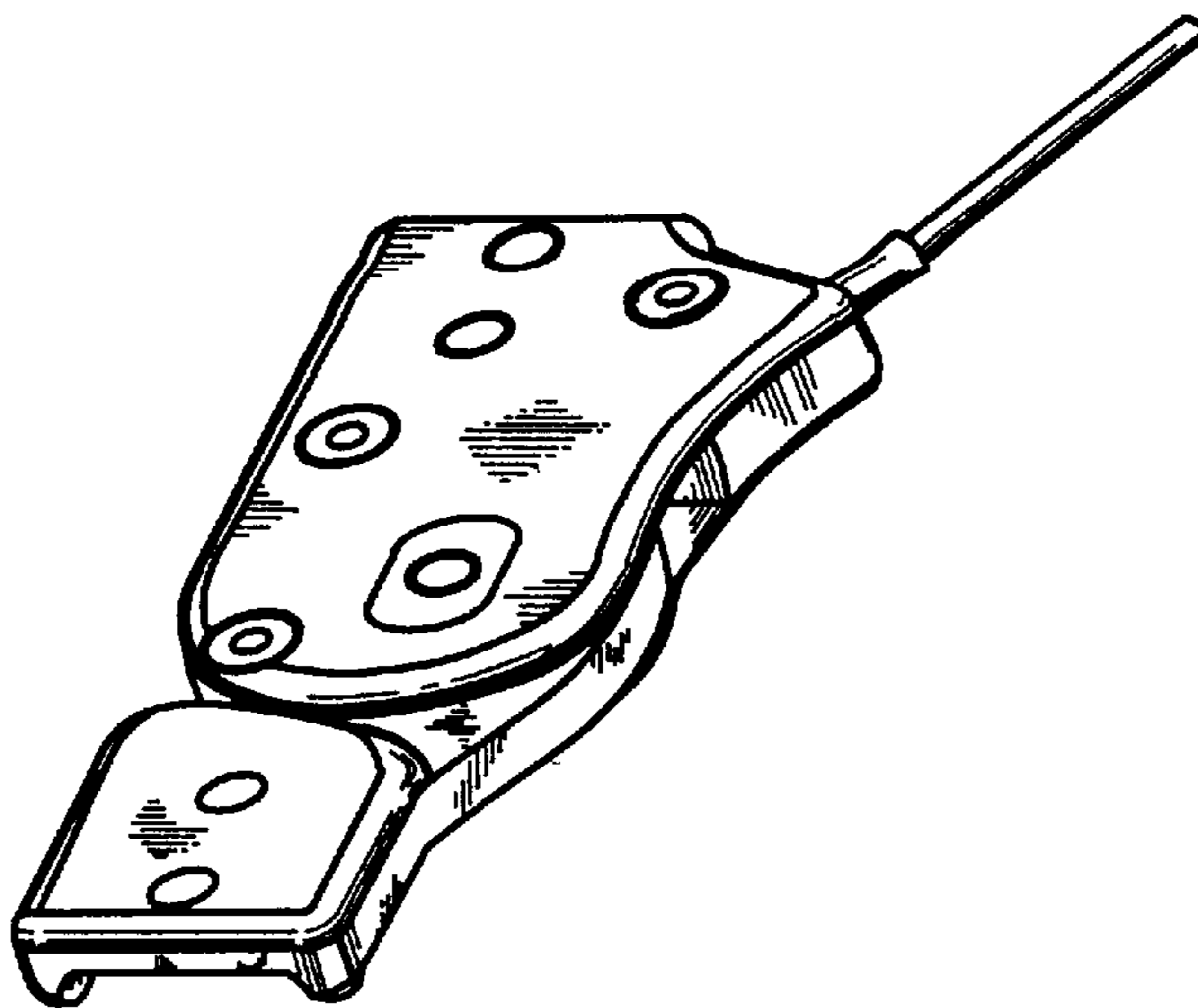
[57] **CLAIM**

The ornamental design for a knee joint orthotic device, as shown and described.

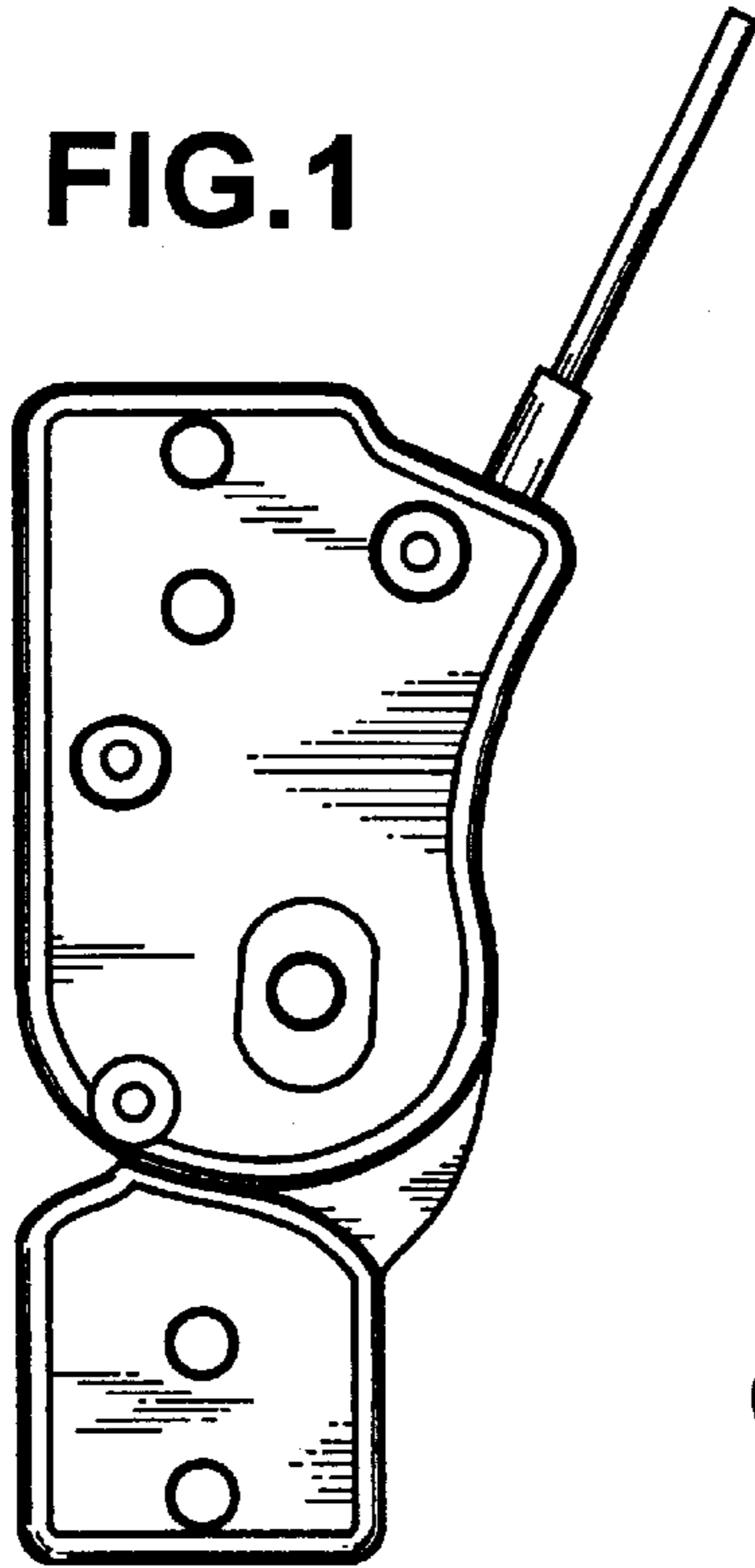
**DESCRIPTION**

FIG. 1 is a elevational view of a knee joint orthotic showing my new design;  
FIG. 2 is a left side perspective view thereof;  
FIG. 3 is a front elevational view thereof;  
FIG. 4 is a right side elevational view thereof;  
FIG. 5 is a right side perspective view thereof;  
FIG. 6 is a back elevational view thereof;  
FIG. 7 is a top elevational view thereof; and,  
FIG. 8 is a bottom elevational view thereof.

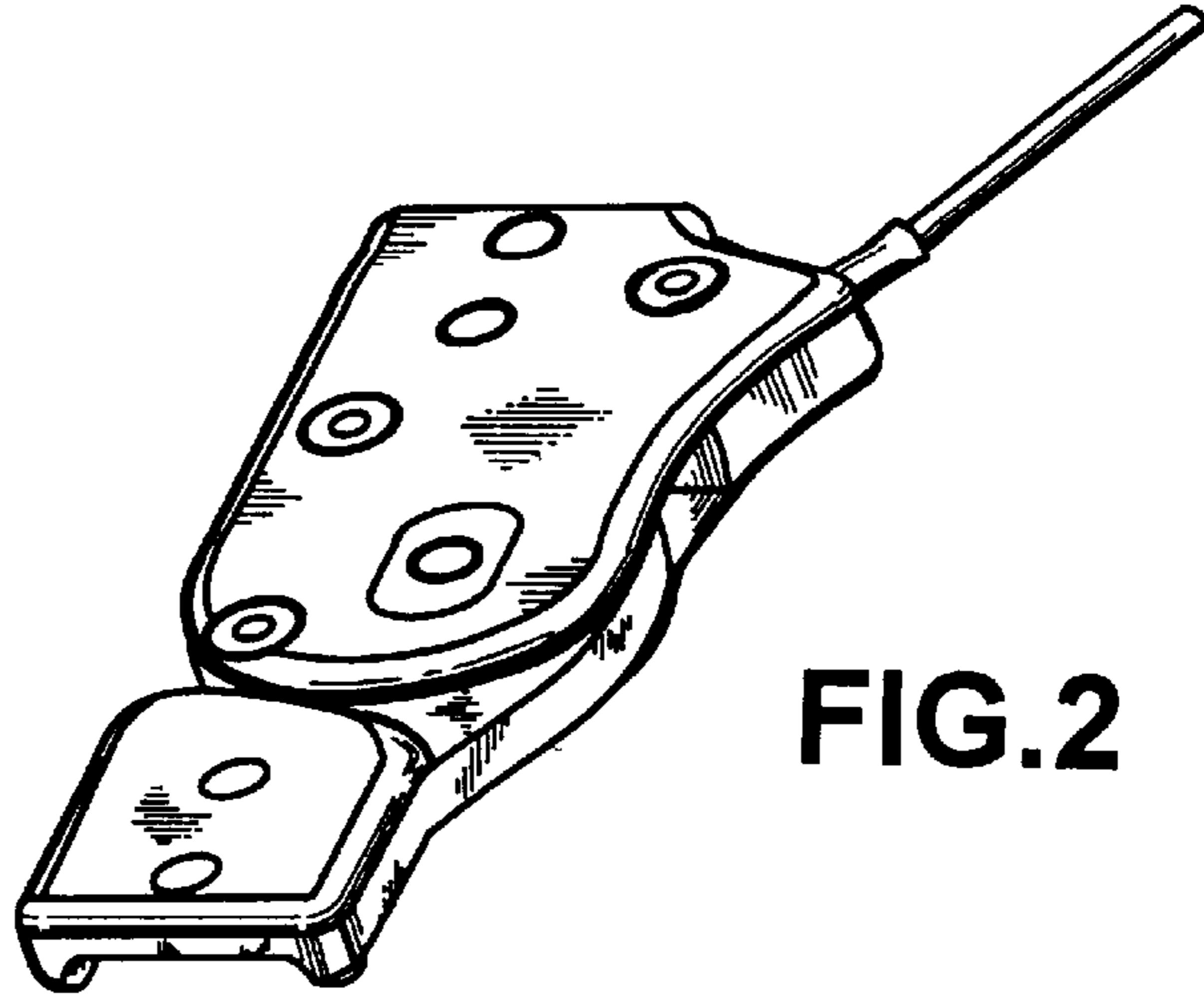
**1 Claim, 2 Drawing Sheets**



**FIG.1**



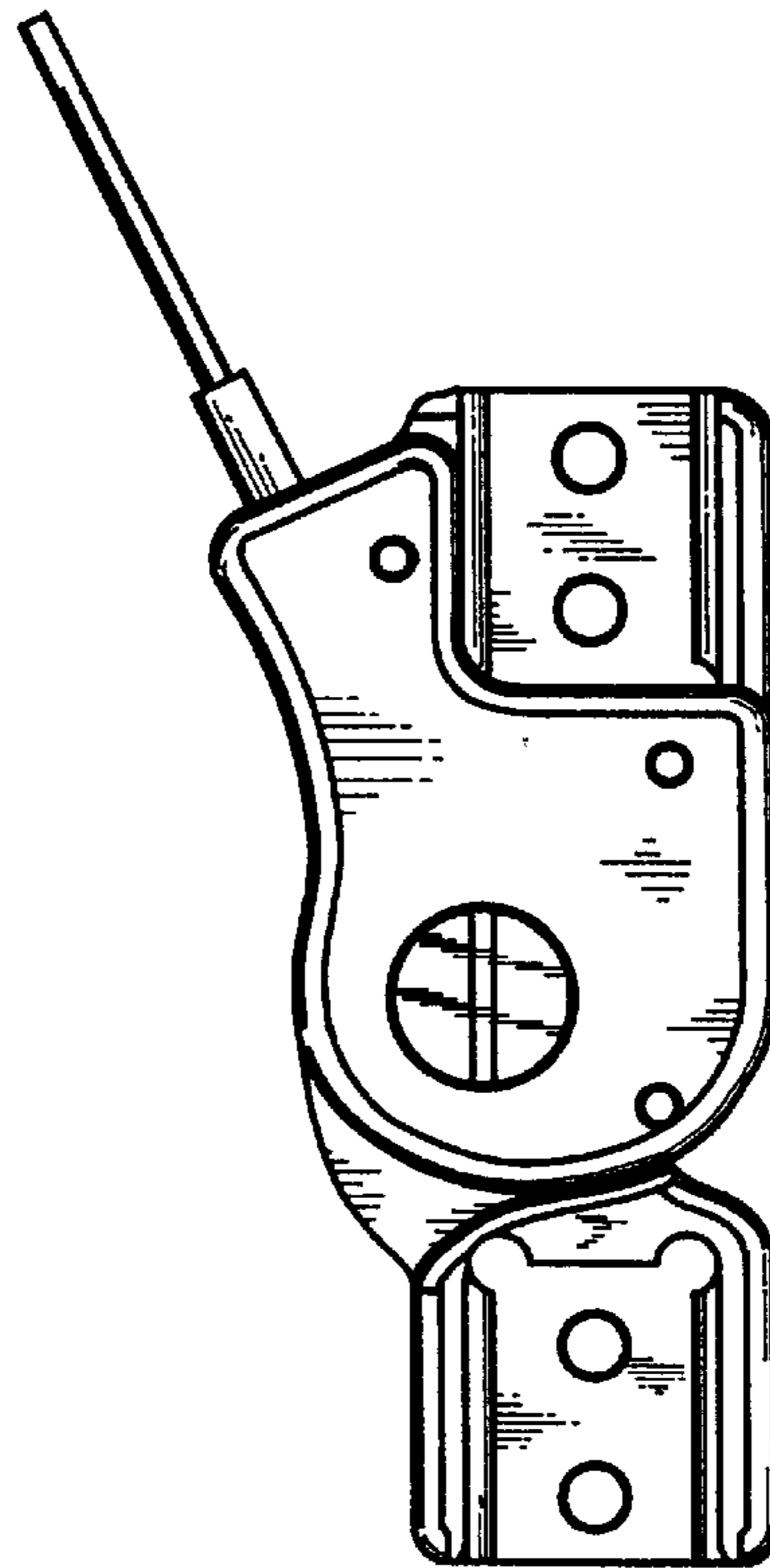
**FIG.2**

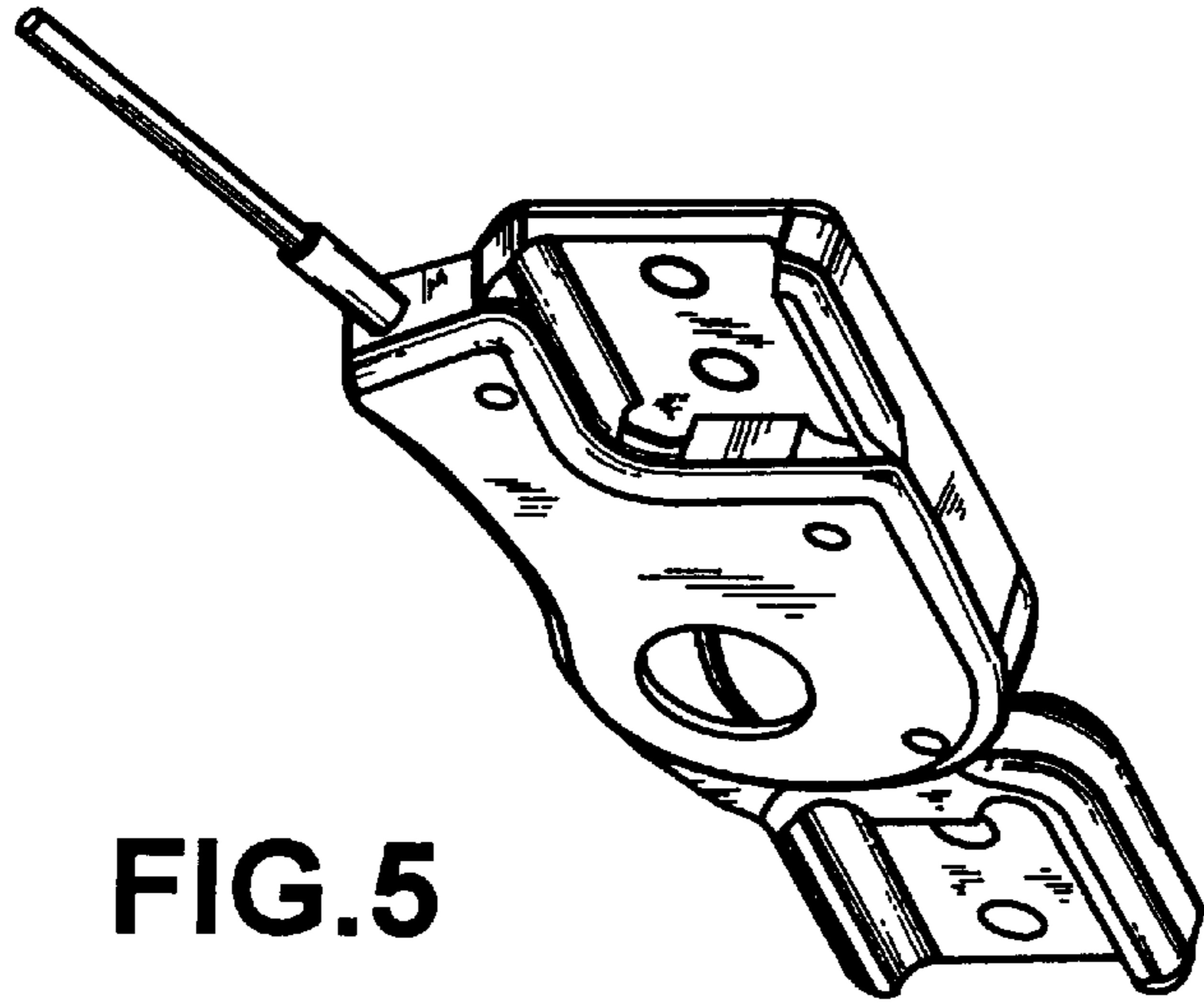


**FIG.3**

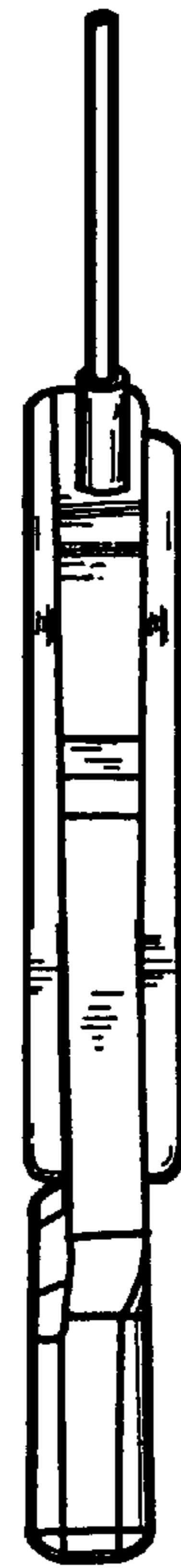


**FIG.4**

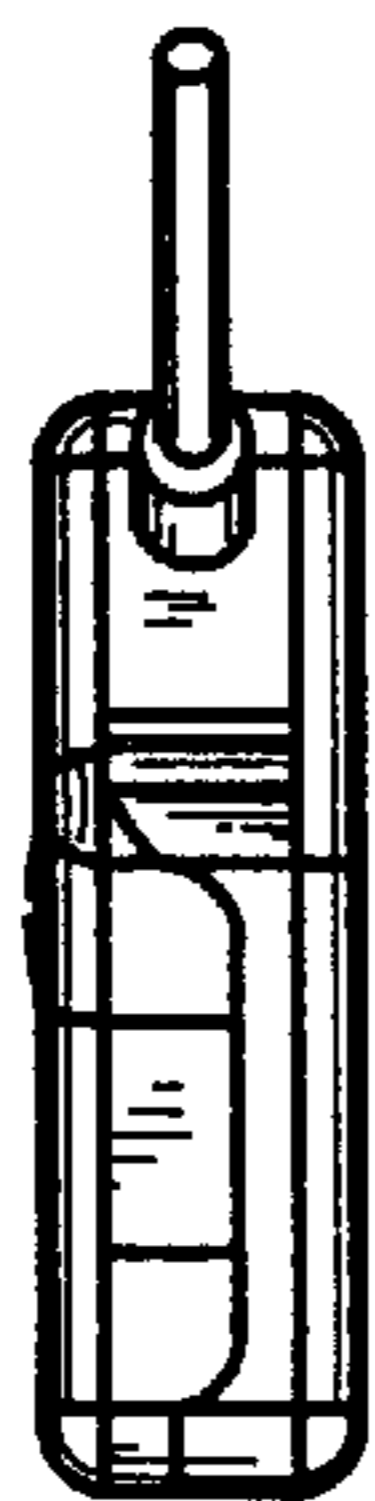




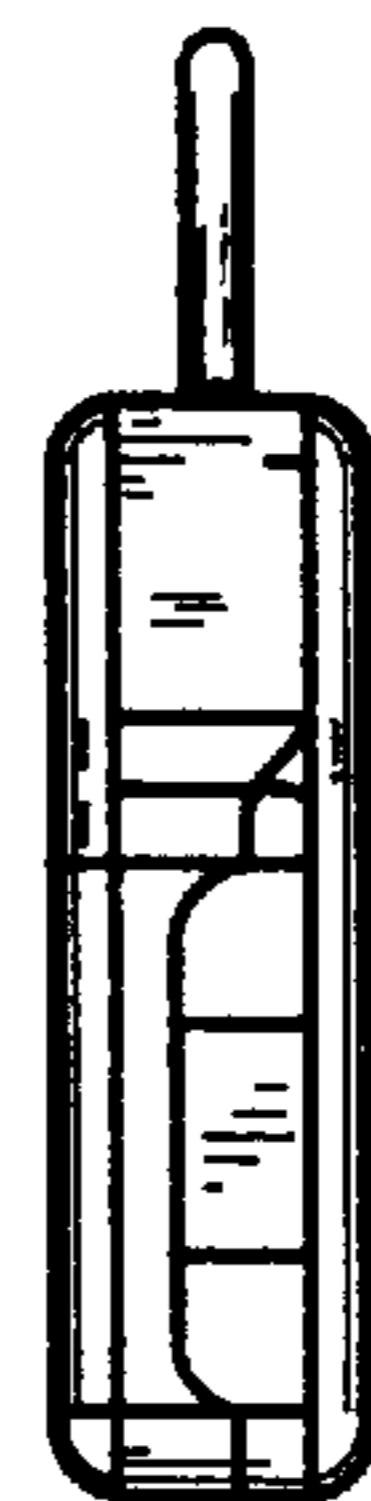
**FIG. 5**



**FIG. 6**



**FIG. 7**



**FIG. 8**