



US00D407483S

United States Patent [19]

Thomas

[11] **Patent Number: Des. 407,483**

[45] **Date of Patent: **Mar. 30, 1999**

[54] **SWITCH HOUSING FOR A CEILING FAN**

[75] Inventor: **James Thomas**, Memphis, Tenn.

[73] Assignee: **Hunter Fan Company**, Memphis, Tenn.

[**] Term: **14 Years**

[21] Appl. No.: **91,050**

[22] Filed: **Jul. 22, 1998**

[51] **LOC (6) Cl. 23-04**

[52] **U.S. Cl. D23/411; D23/377**

[58] **Field of Search D23/411, 377, D23/379, 385; 416/5**

[56] **References Cited**

U.S. PATENT DOCUMENTS

- D. 326,905 6/1992 Scofield D23/411
- D. 389,908 1/1998 Dolan D23/411

Primary Examiner—Lisa Lichtenstein
Attorney, Agent, or Firm—Baker, Donelson, Bearman & Caldwell

[57] **CLAIM**

The ornamental design for a switch housing for a ceiling fan, as shown and described.

DESCRIPTION

FIG. 1 is a perspective view of a switch housing for a ceiling fan showing my new design;

FIG. 2 is an enlarged perspective view thereof;

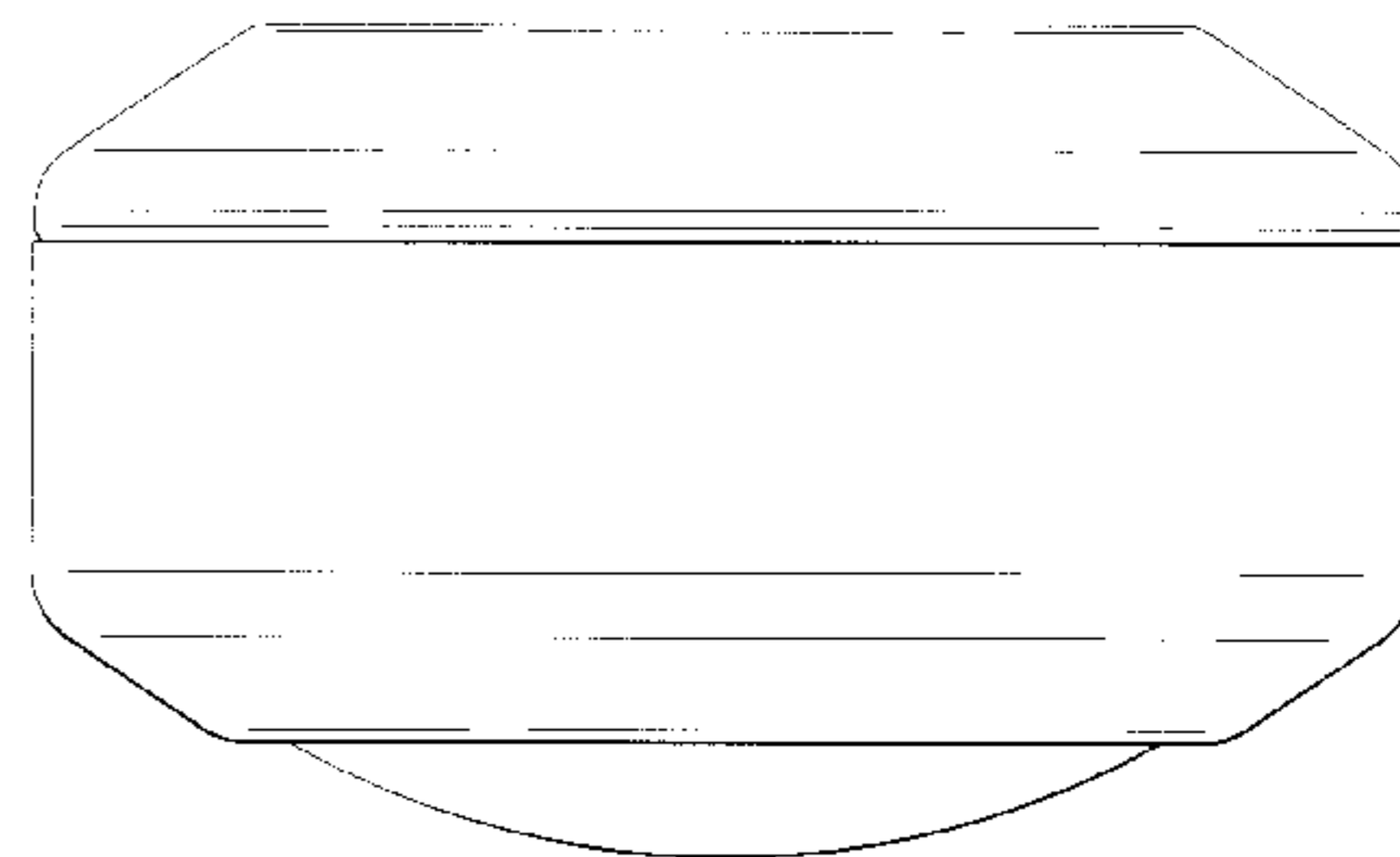
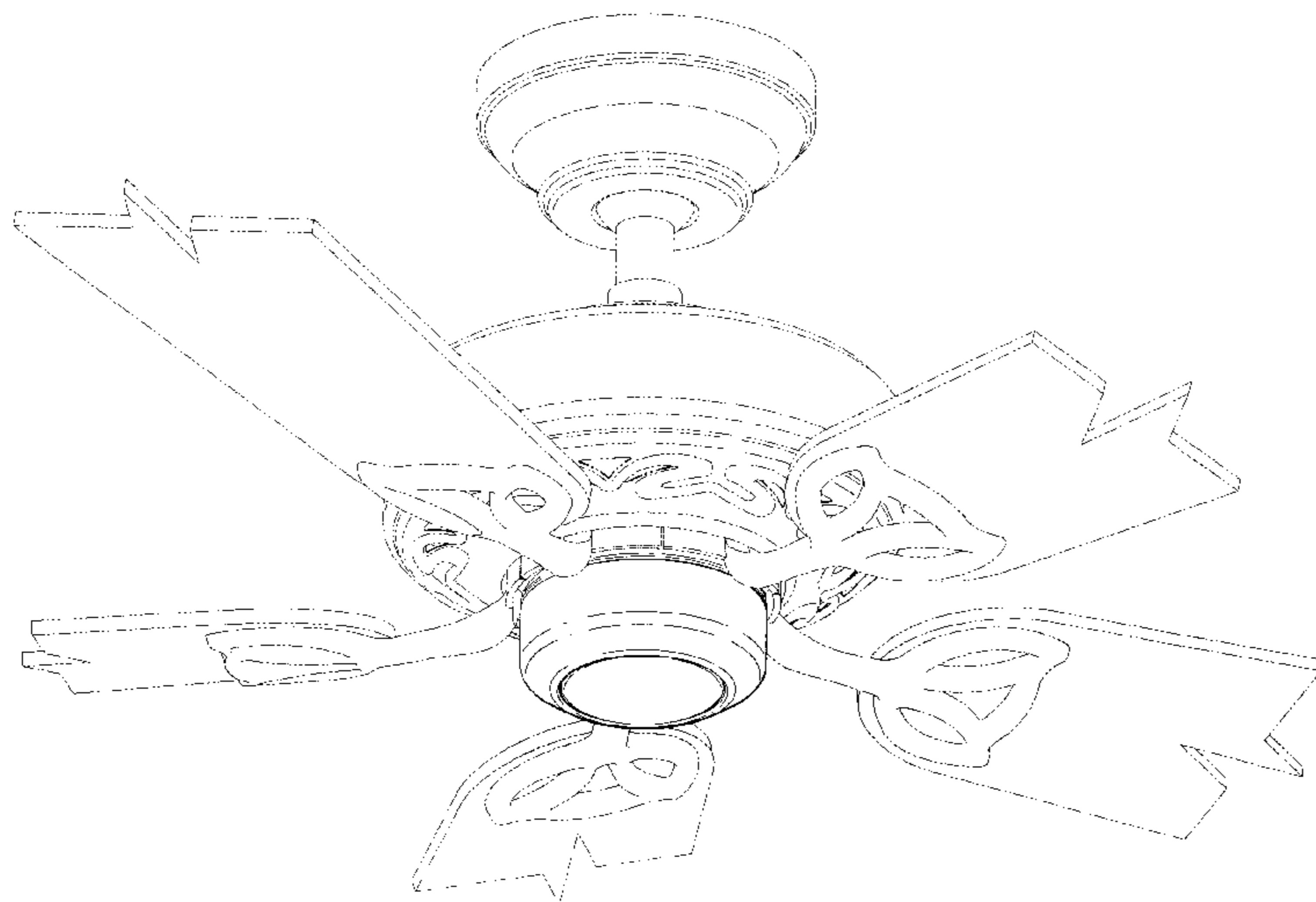
FIG. 3 is an enlarged front view thereof, the right-side, left-side, and rear views being mirror images thereof;

FIG. 4 is an enlarged top view thereof; and,

FIG. 5 is an enlarged bottom view thereof.

The broken-line showing of environmental structure in FIG. 1 is for illustrative purposes only and forms no part of the claimed design.

1 Claim, 5 Drawing Sheets



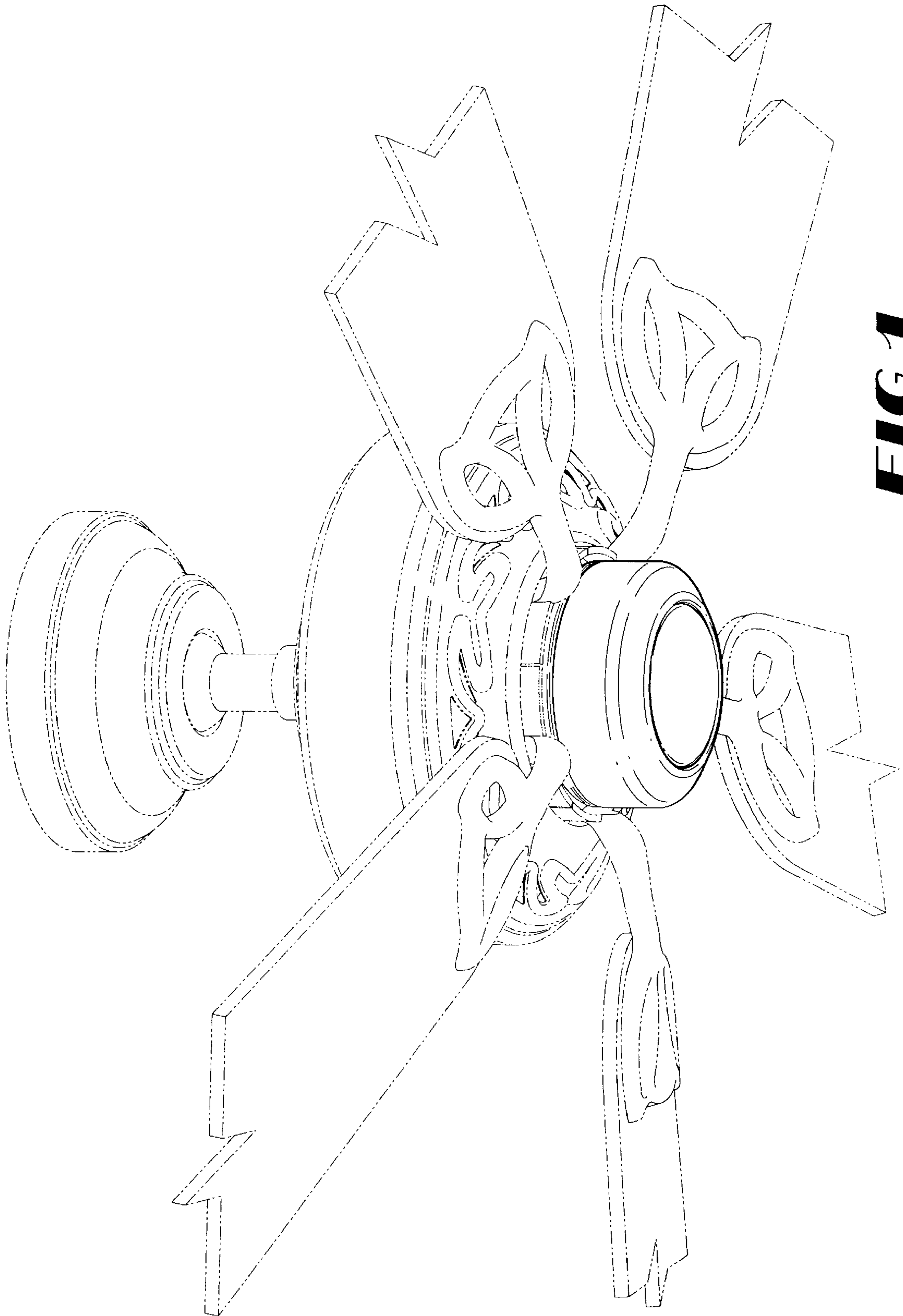


FIG 1

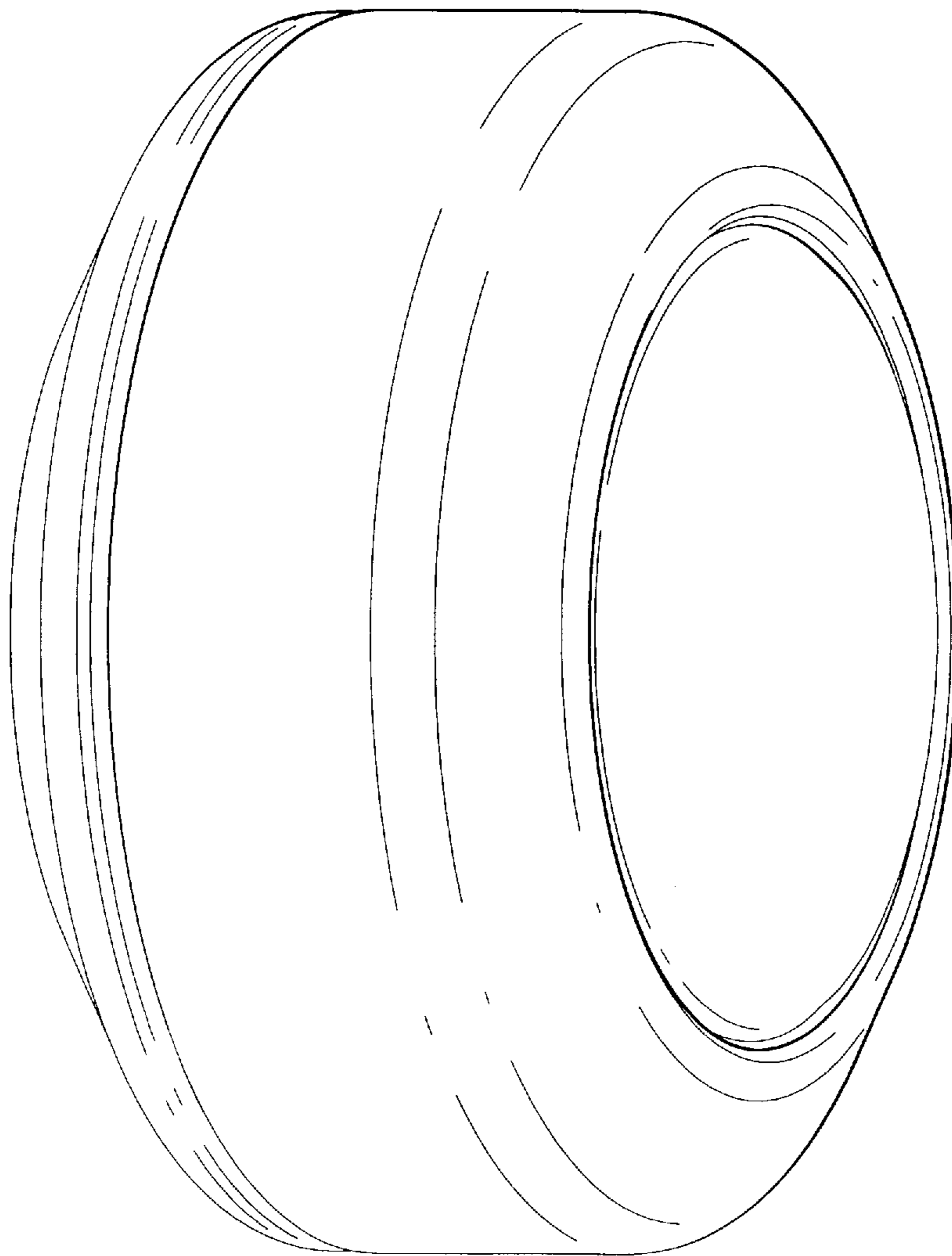


FIG 2

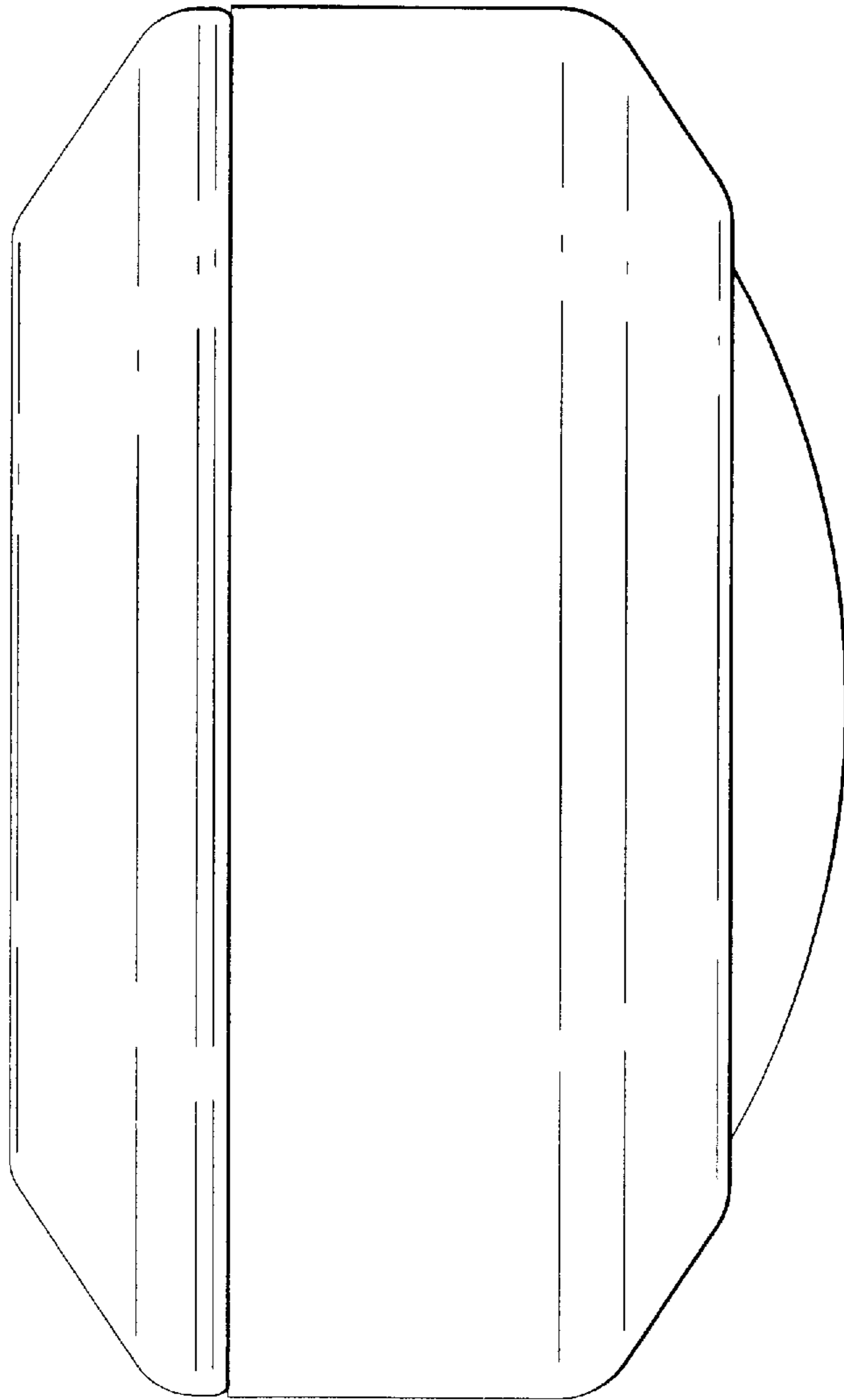


FIG 3

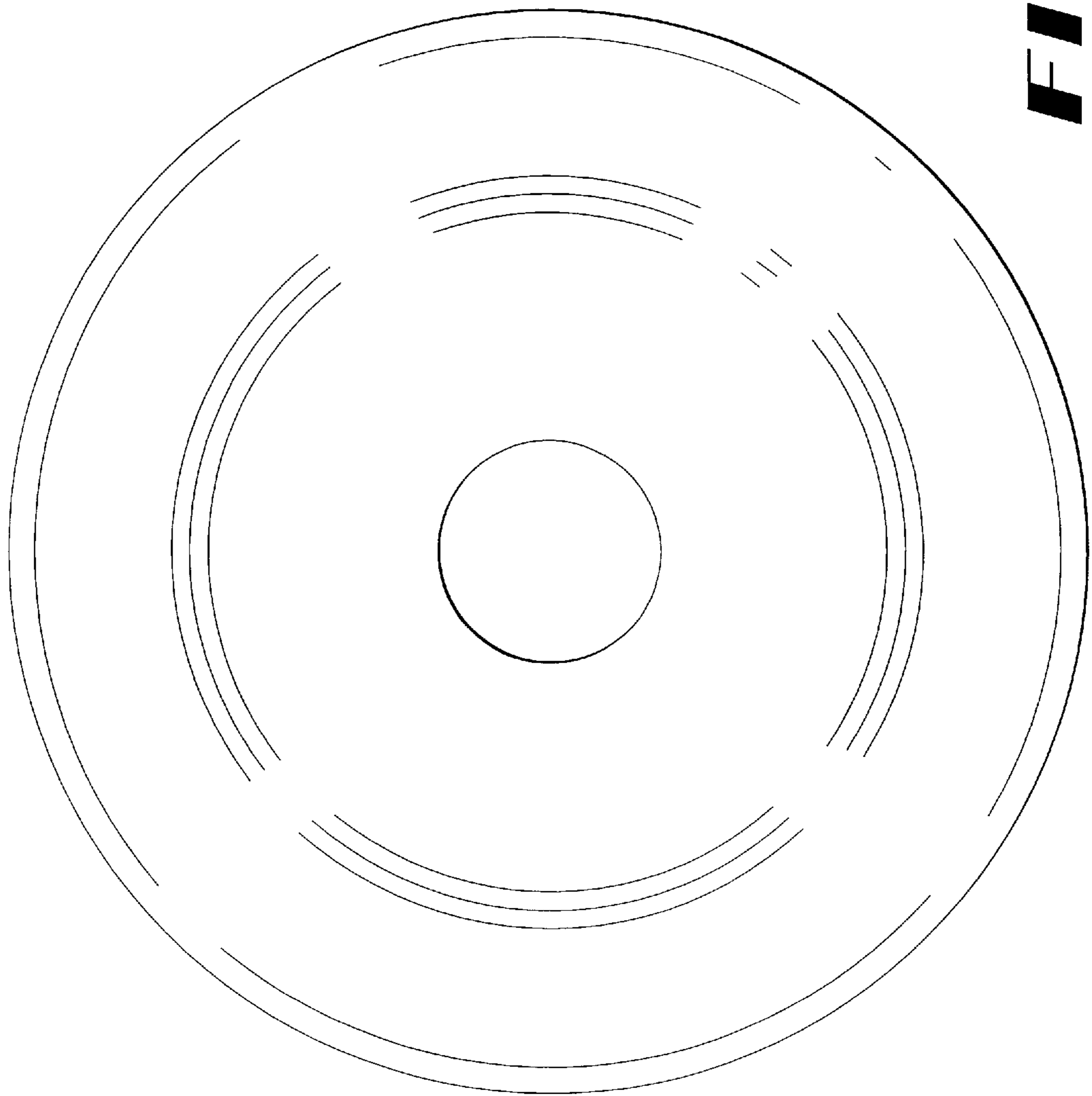


FIG 4

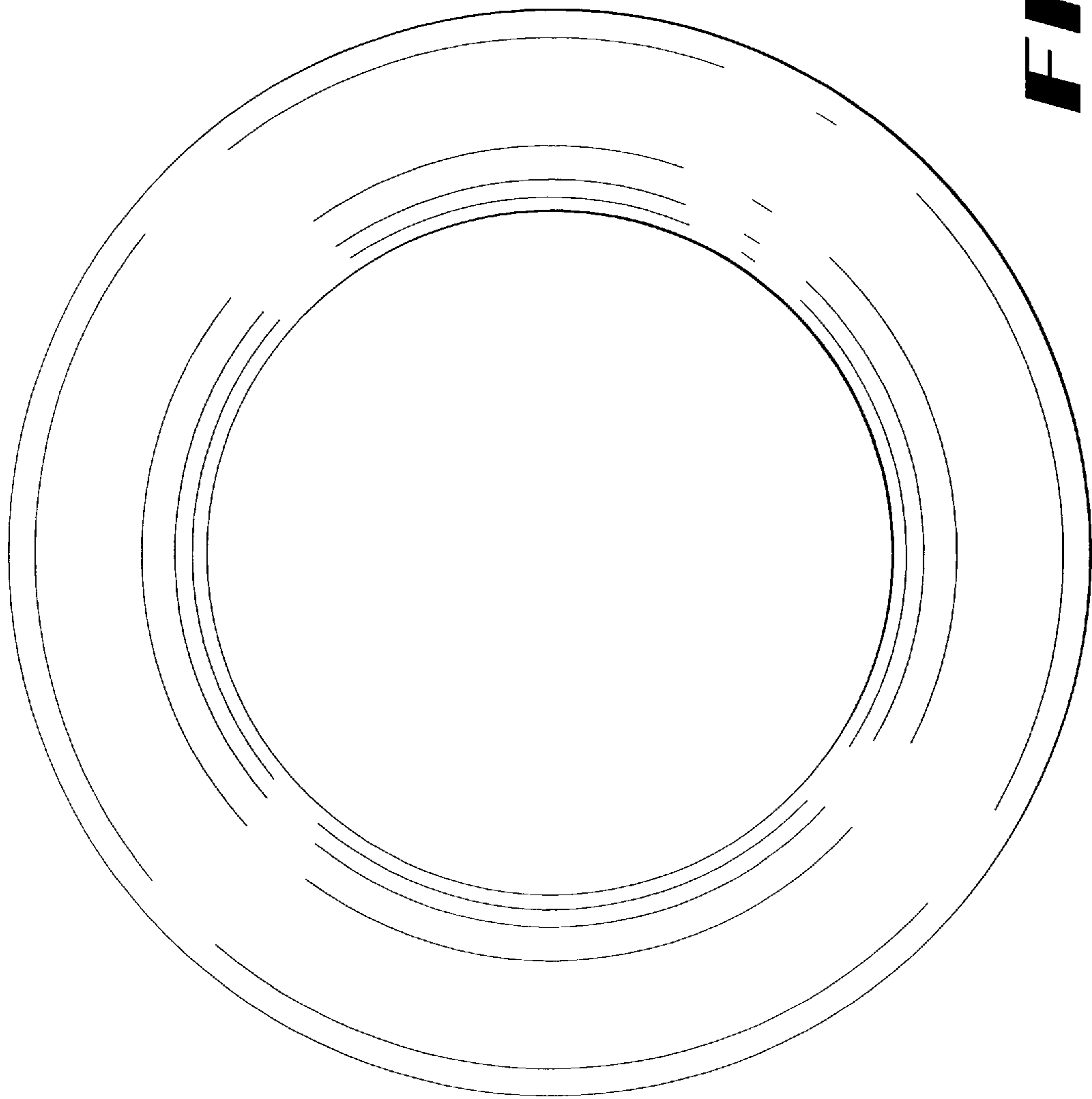


FIG 5