



US00D407482S

United States Patent [19]
Tsuji

[11] **Patent Number: Des. 407,482**

[45] **Date of Patent: **Mar. 30, 1999**

[54] **BOTTOM COVER FOR A CEILING FAN**

[75] Inventor: **Masao Tsuji**, Germantown, Tenn.

[73] Assignee: **Hunter Fan Company**, Memphis, Tenn.

[**] Term: **14 Years**

[21] Appl. No.: **91,035**

[22] Filed: **Jul. 22, 1998**

[51] **LOC (6) Cl.** **23-04**

[52] **U.S. Cl.** **D23/411; D23/377**

[58] **Field of Search** **D23/411, 377, D23/379, 385; 416/5; 392/364**

[56] **References Cited**

U.S. PATENT DOCUMENTS

361,377 8/1887 Tsuji D23/377
389,568 1/1888 Gee, II et al. D23/411

Primary Examiner—Lisa Lichtenstein
Attorney, Agent, or Firm—Baker, Donelson, Bearman & Caldwell

[57] **CLAIM**

The ornamental design for a bottom cover for a ceiling fan, as shown and described.

DESCRIPTION

FIG. 1 is a perspective view of a bottom cover for a ceiling fan showing my new design;

FIG. 2 is a perspective view of the bottom cover for a ceiling fan shown in FIG. 1 with the environmental structure removed therefrom;

FIG. 3 is a front view thereof;

FIG. 4 is a right-side view thereof;

FIG. 5 is a rear view thereof;

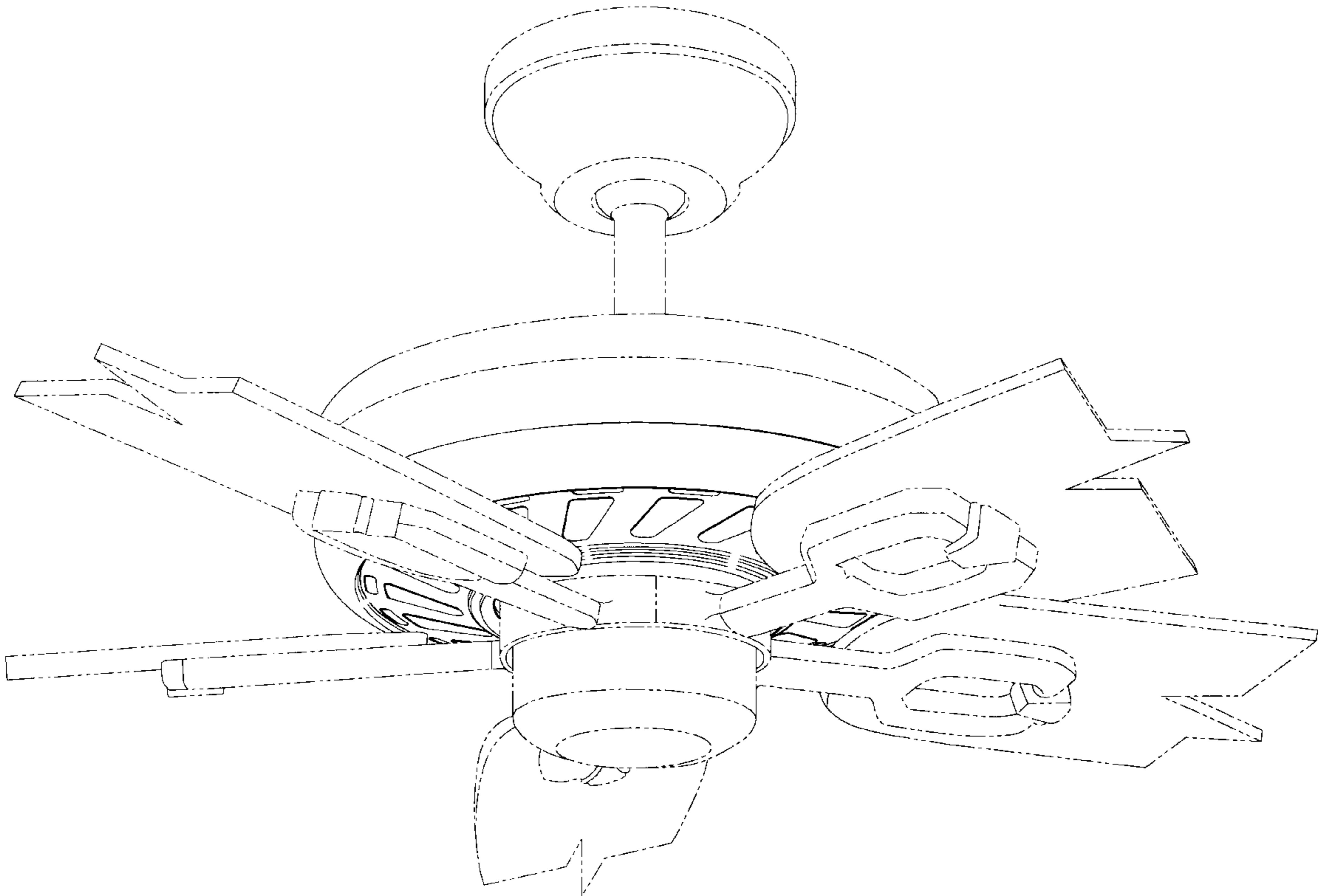
FIG. 6 is a left-side view thereof;

FIG. 7 is a top view thereof; and,

FIG. 8 is a bottom view thereof.

The broken-line showing of environmental structure in FIG. 1 is for illustrative purposes only and forms no part of the claimed design.

1 Claim, 8 Drawing Sheets



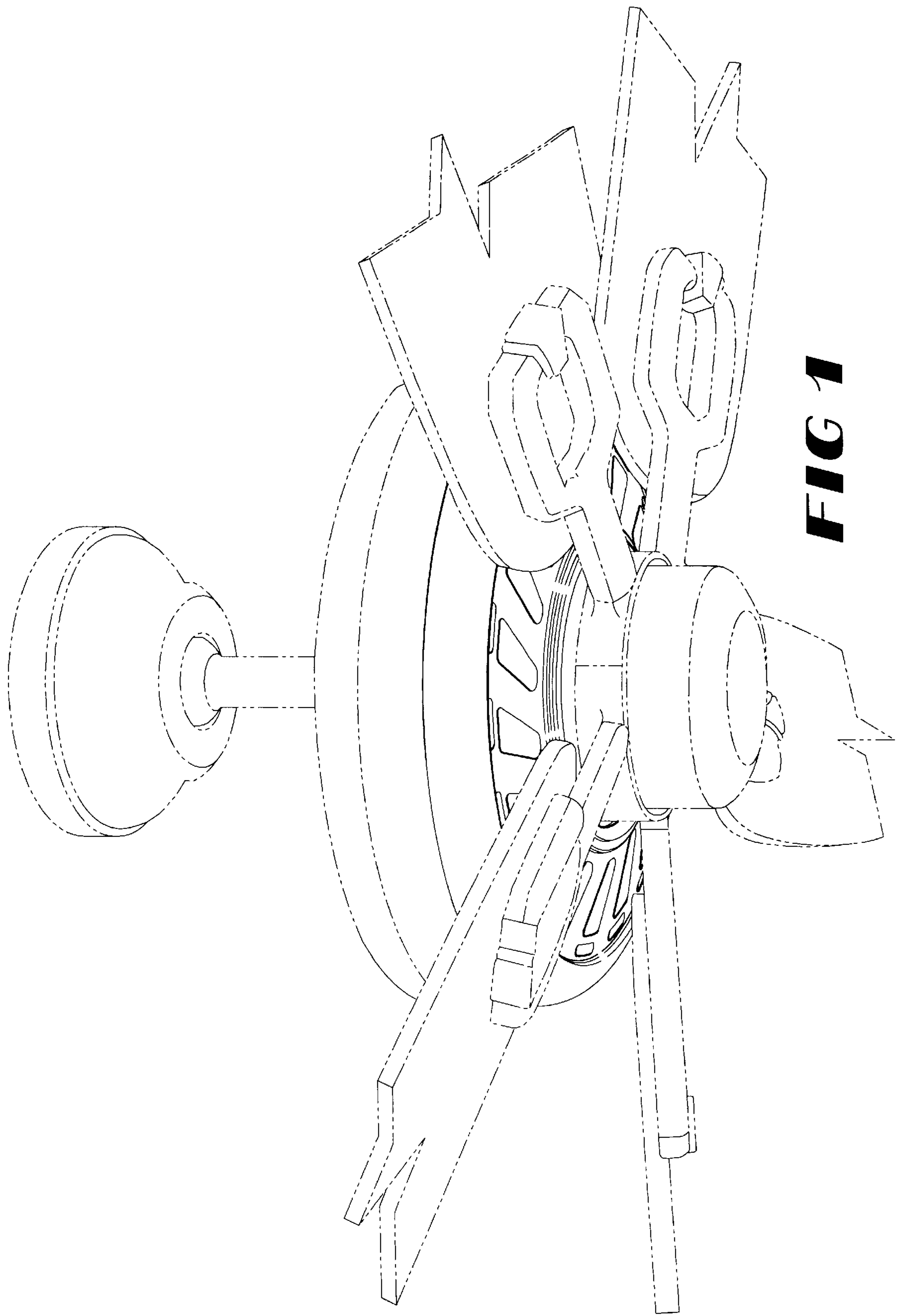


FIG 1

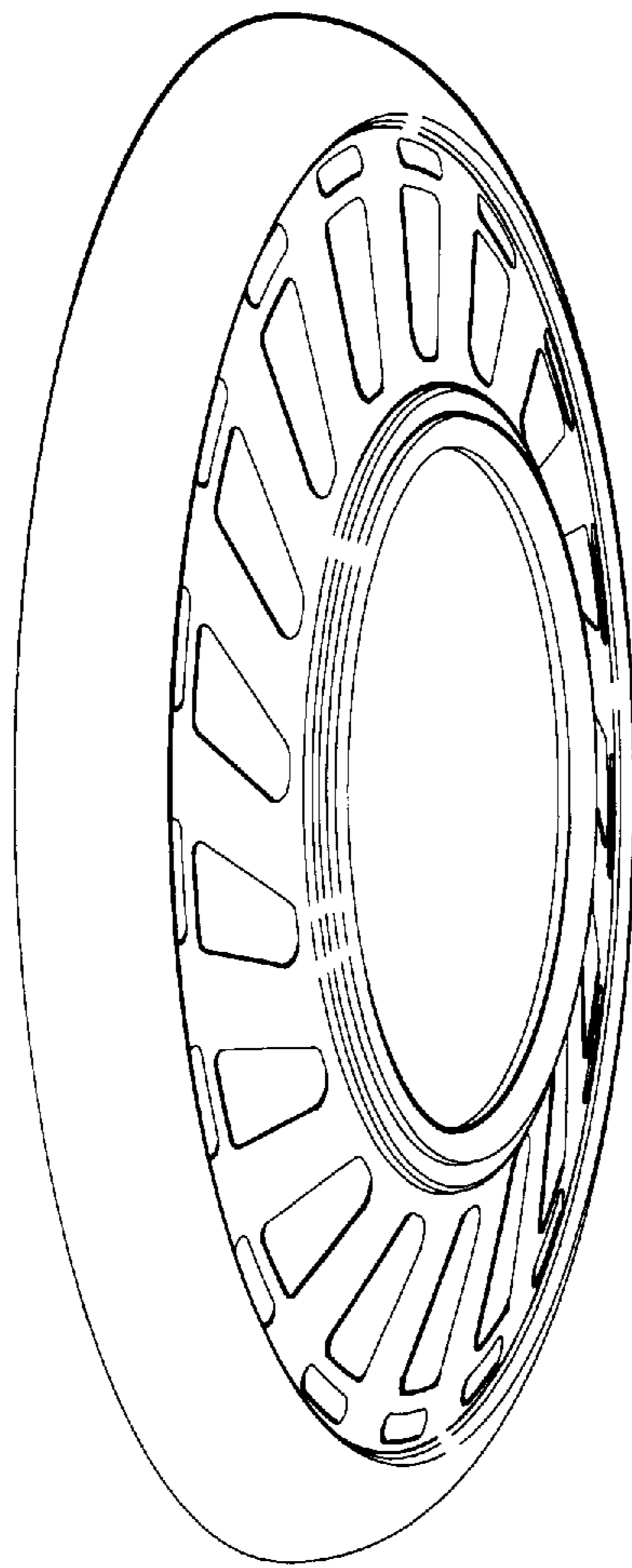


FIG 2



FIG 3

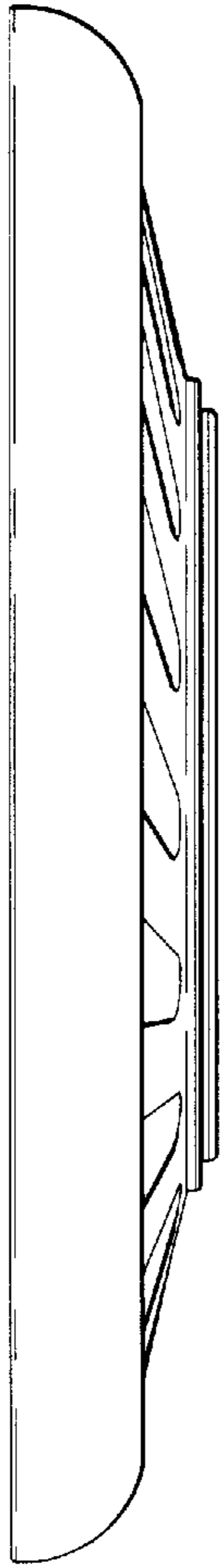


FIG 4



FIG 5

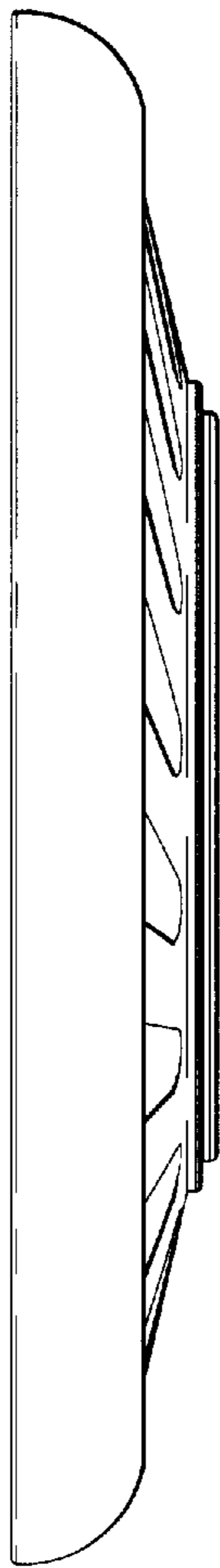


FIG 6

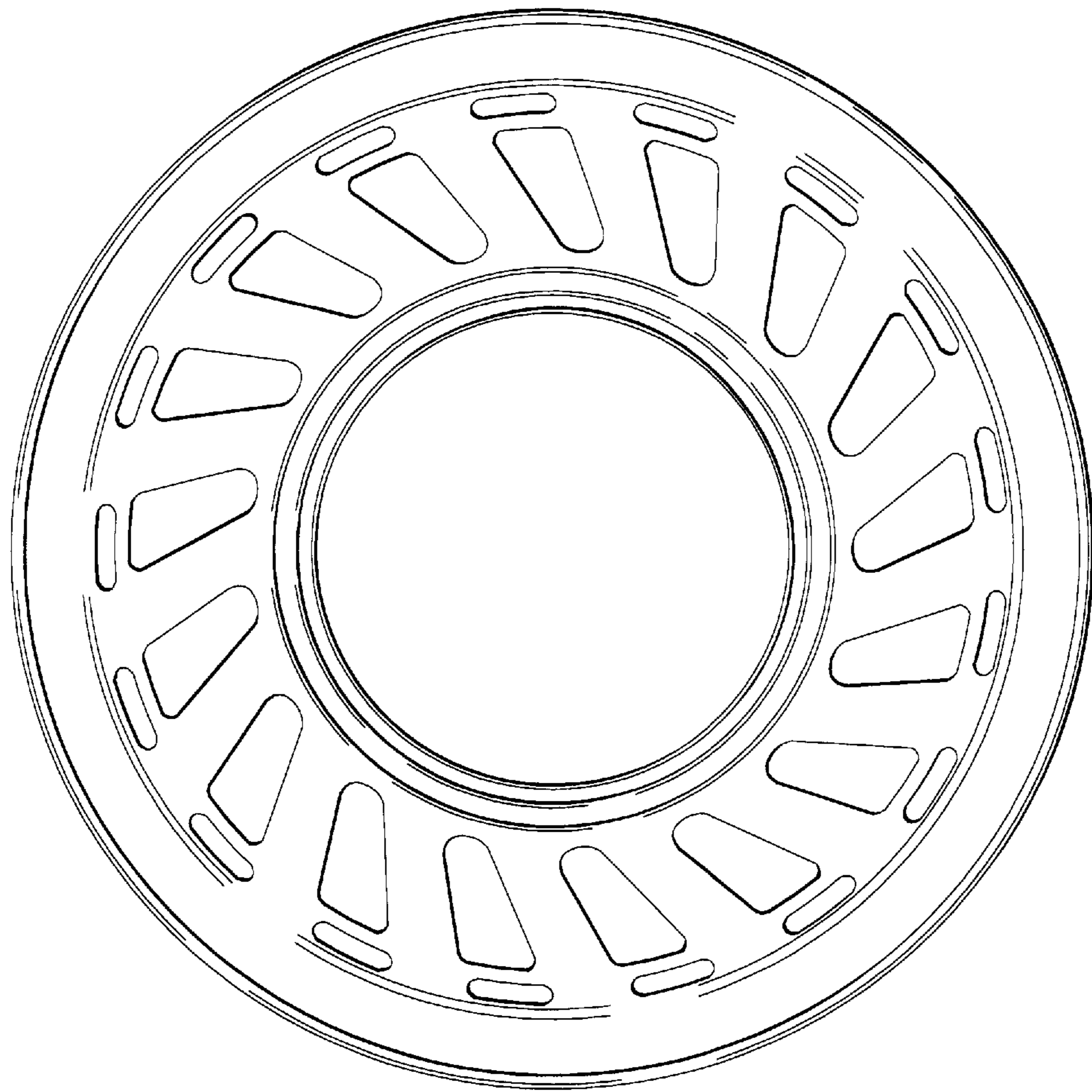


FIG 7

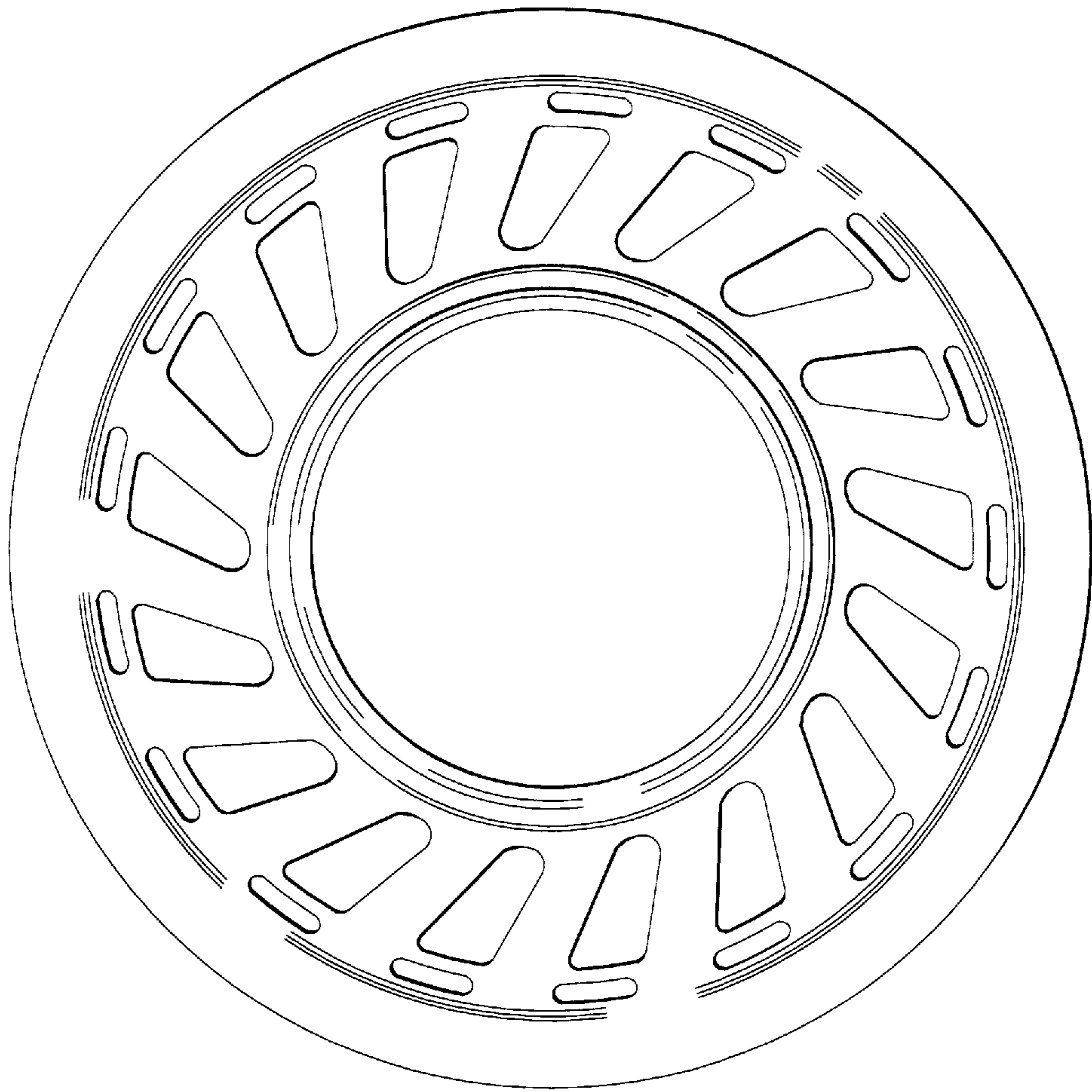


FIG 8