



US00D407481S

# United States Patent [19] Evans

[11] **Patent Number: Des. 407,481**

[45] **Date of Patent: \*\*Mar. 30, 1999**

[54] **COMBINED CEILING FAN CANOPY,  
SUPPORT ROD MOTOR HOUSING AND  
LIGHT FIXTURE UNIT**

[75] Inventor: **Richard O. Evans**, Memphis, Tenn.

[73] Assignee: **Hunter Fan Company**, Memphis,  
Tenn.

[\*\*] Term: **14 Years**

[21] Appl. No.: **88,005**

[22] Filed: **May 13, 1998**

[51] **LOC (6) Cl.** ..... **23-04**

[52] **U.S. Cl.** ..... **D23/411; D26/59**

[58] **Field of Search** ..... D23/377, 379,  
D23/385, 411; 416/5, 210 R; 392/364;  
362/96; D26/81-88, 59, 72

[56] **References Cited**

**U.S. PATENT DOCUMENTS**

D. 389,569 1/1998 Ge, II et al. .... D23/411

**OTHER PUBLICATIONS**

Casablanca Fan Co. CAT, p. 2, Ceiling Fan (A), bottom right side of page, Ceiling Fan 1988.

Beverly Hills Fan Co. Adv. Flyer, Ceiling Fan (B), ©1993.

*Primary Examiner*—Lisa Lichtenstein

*Attorney, Agent, or Firm*—Baker, Donelson, Bearman & Caldwell

[57] **CLAIM**

The ornamental design for a combined ceiling fan canopy, support rod, motor housing and light fixture unit, as shown and described.

**DESCRIPTION**

FIG. 1 is a perspective view of a combined ceiling fan canopy, support rod, motor housing and light fixture unit illustrating my new design;

FIG. 2 is an additional perspective view of the combined ceiling fan canopy, support rod, motor housing and light fixture unit shown in FIG. 1 with the environmental structure removed therefrom;

FIG. 3 is a front view thereof;

FIG. 4 is a right-side view thereof;

FIG. 5 is a rear view thereof;

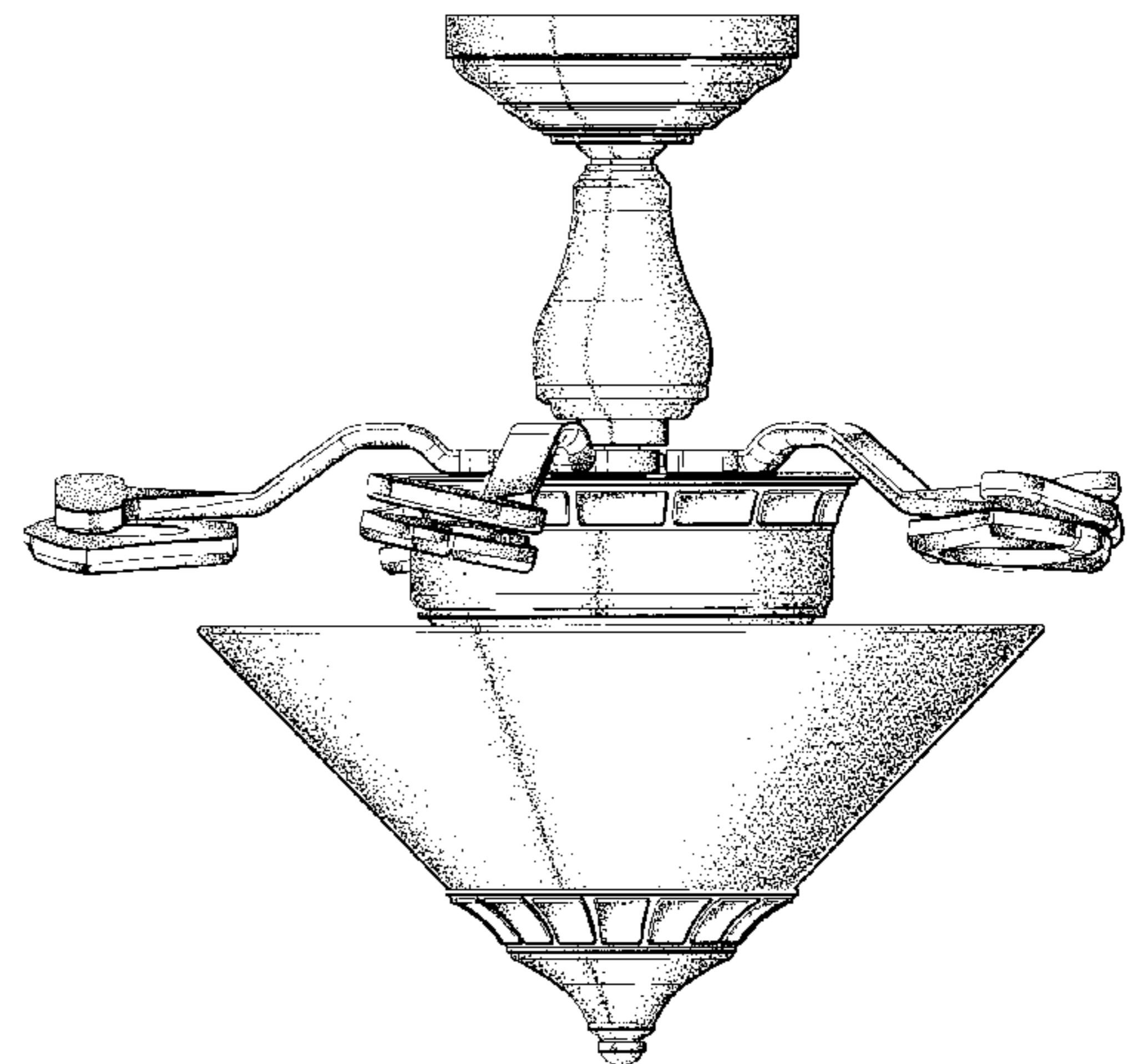
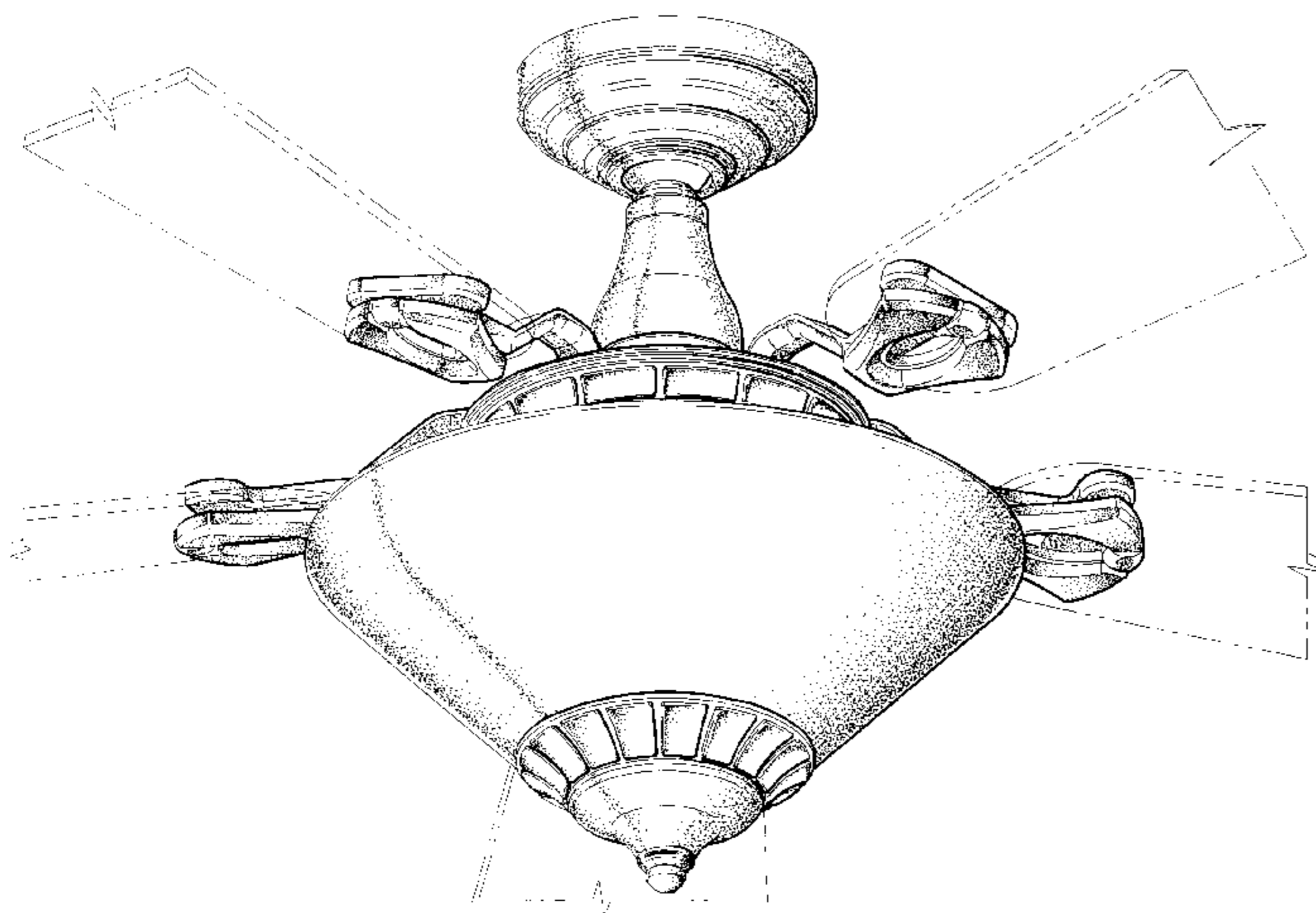
FIG. 6 is a left-side view thereof;

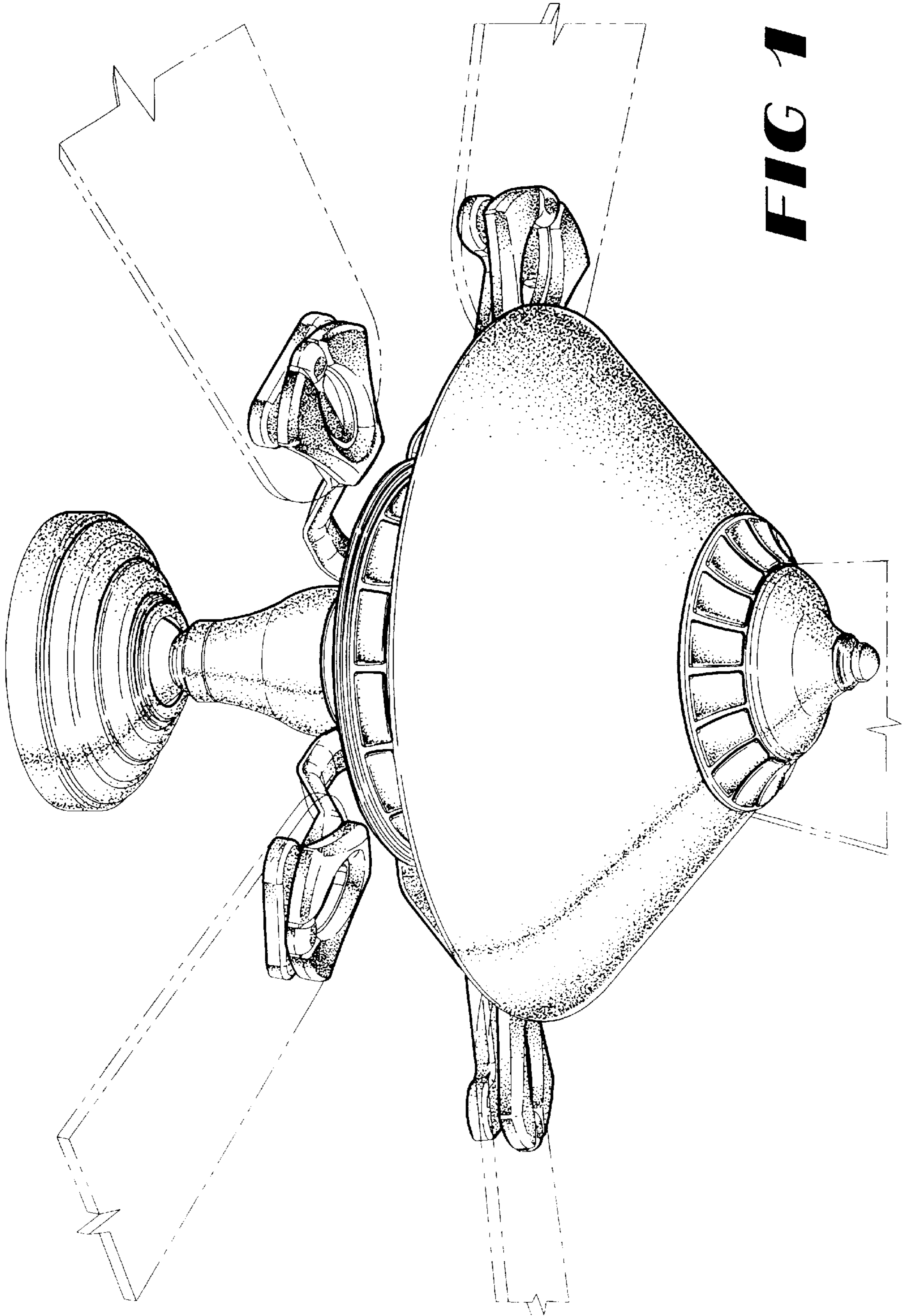
FIG. 7 is a top view thereof; and,

FIG. 8 is a bottom view thereof.

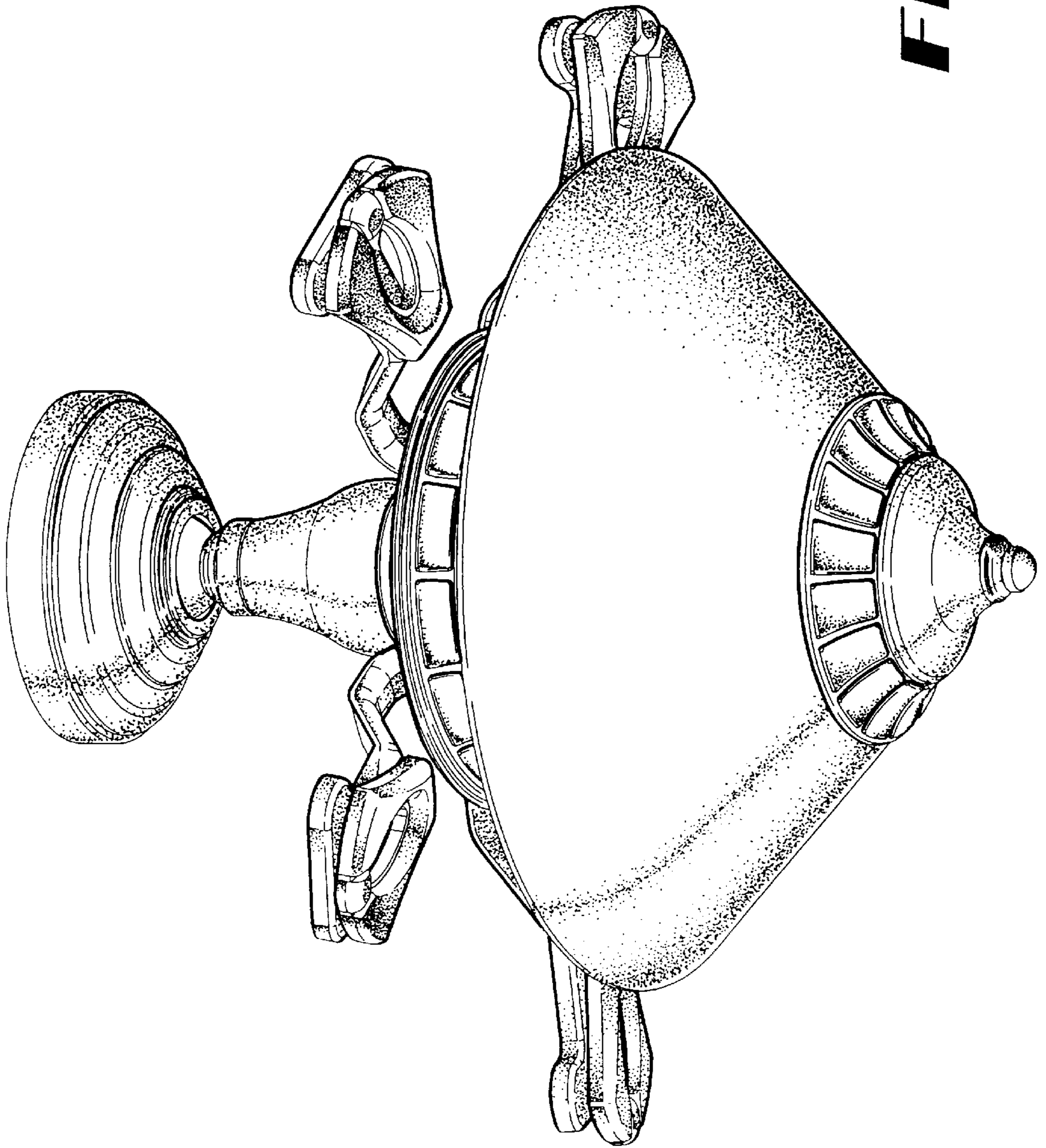
The broken lines shown in FIG. 1 are illustrative of environmental structure only and form no part of the claimed design.

**1 Claim, 8 Drawing Sheets**

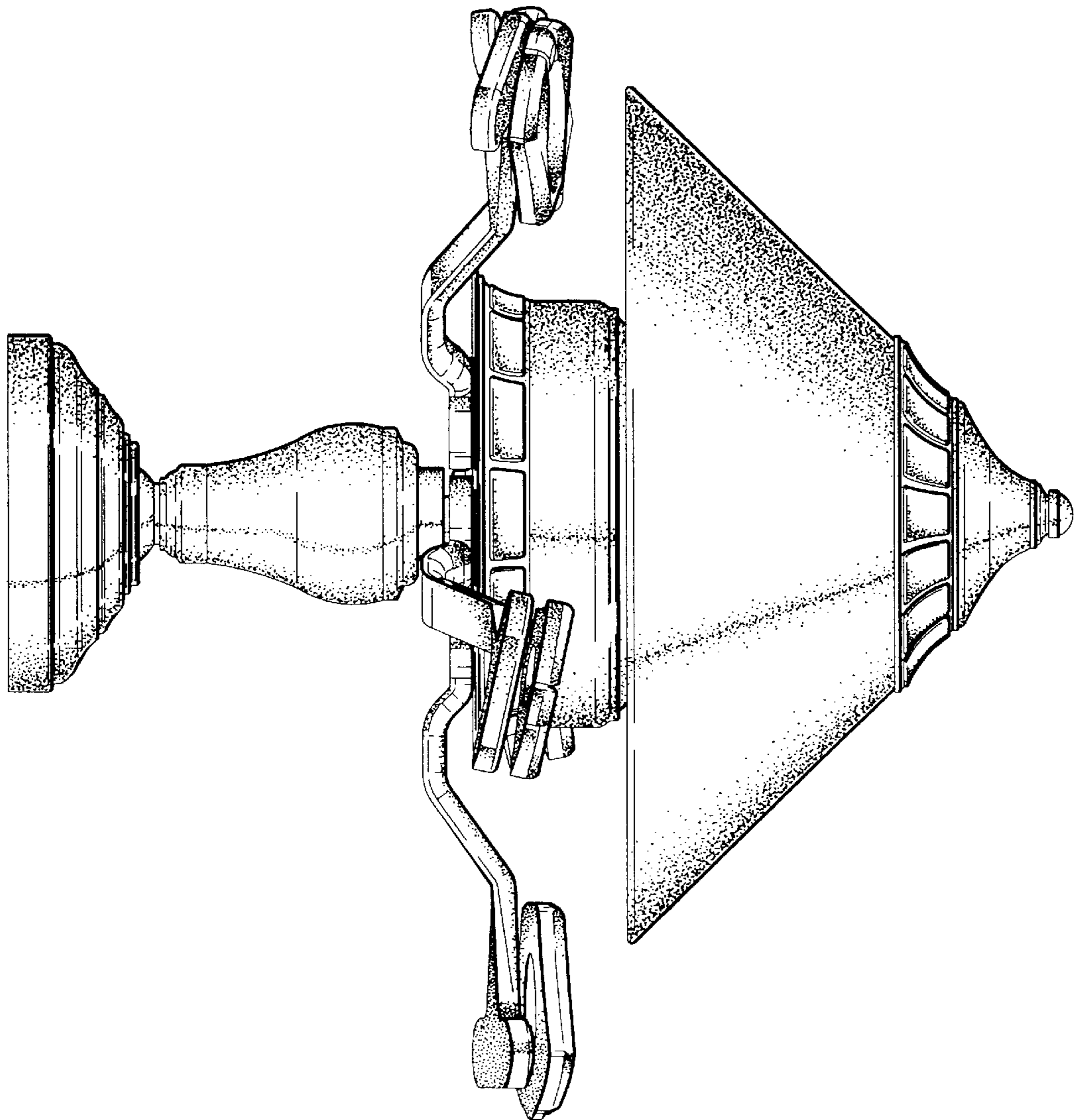




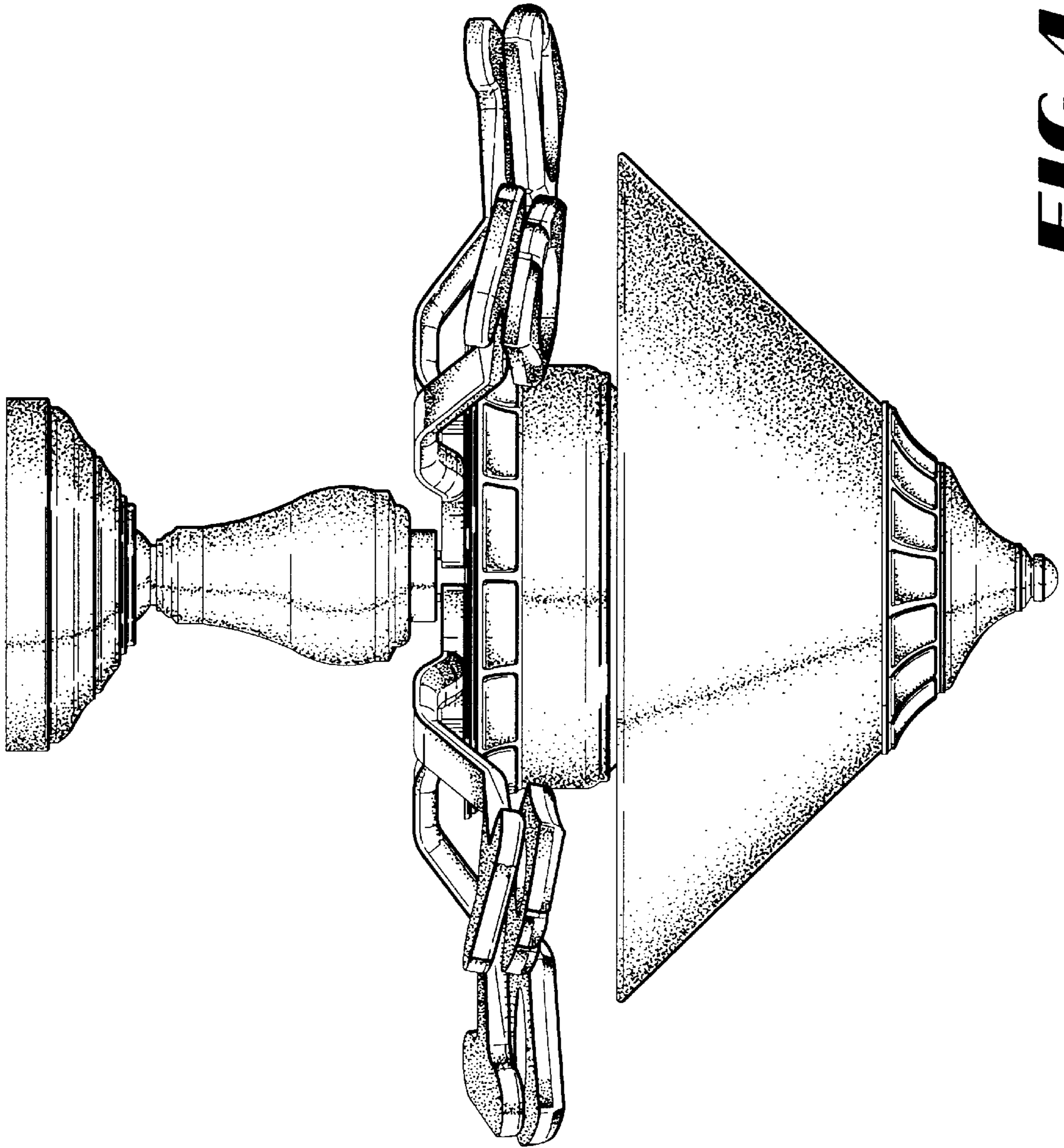
**FIG 1**



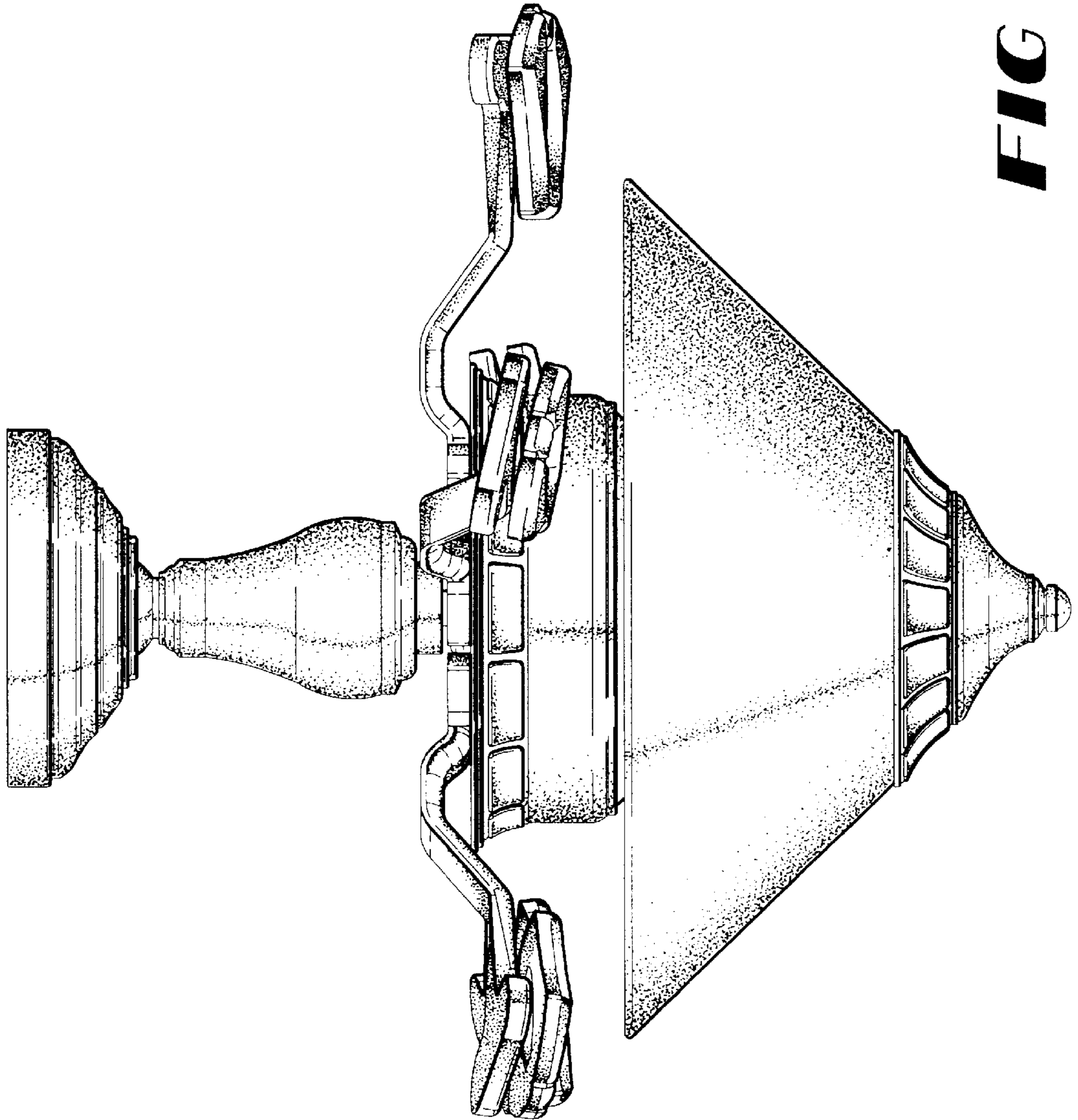
**FIG 2**



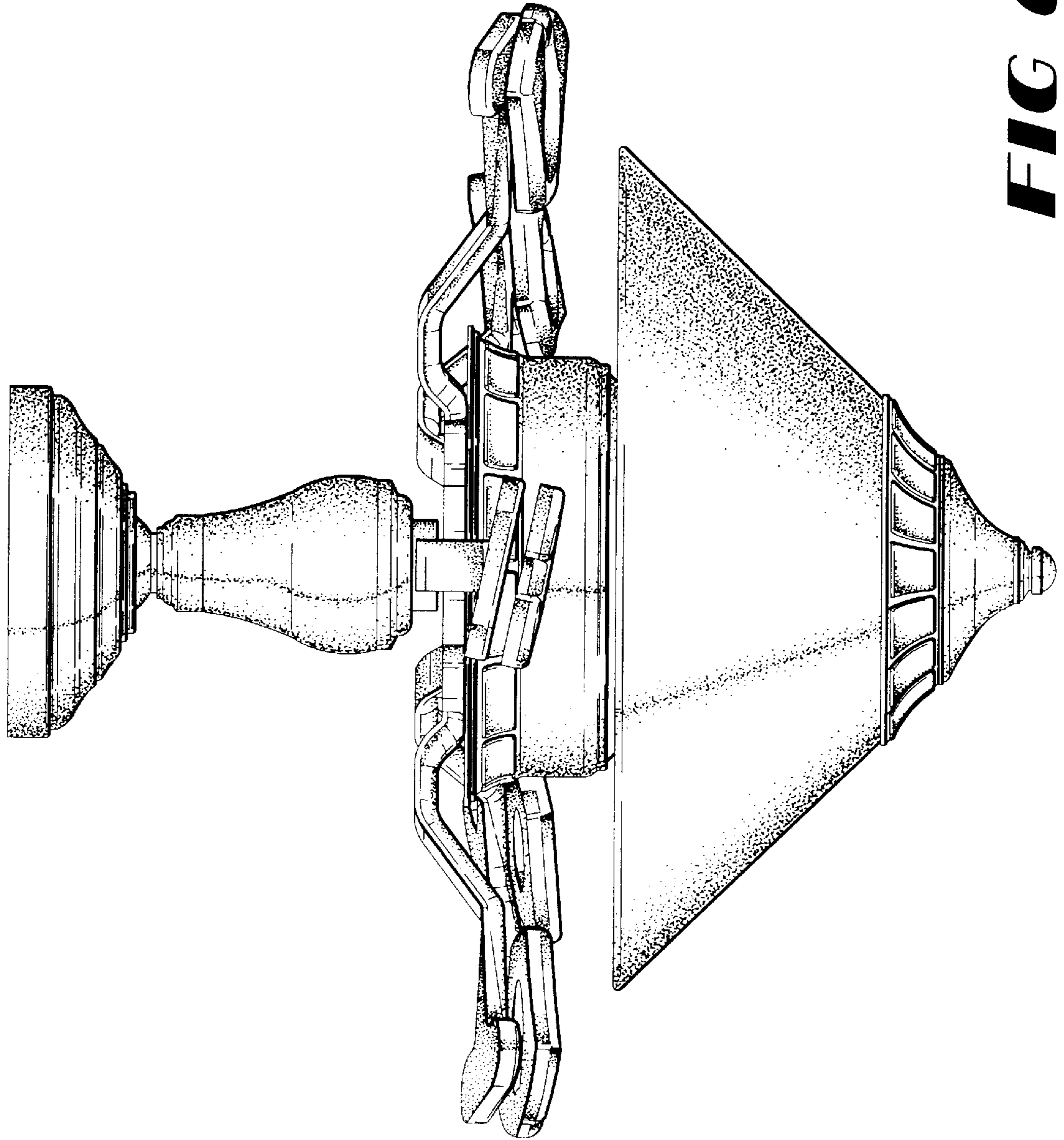
**FIG 3**



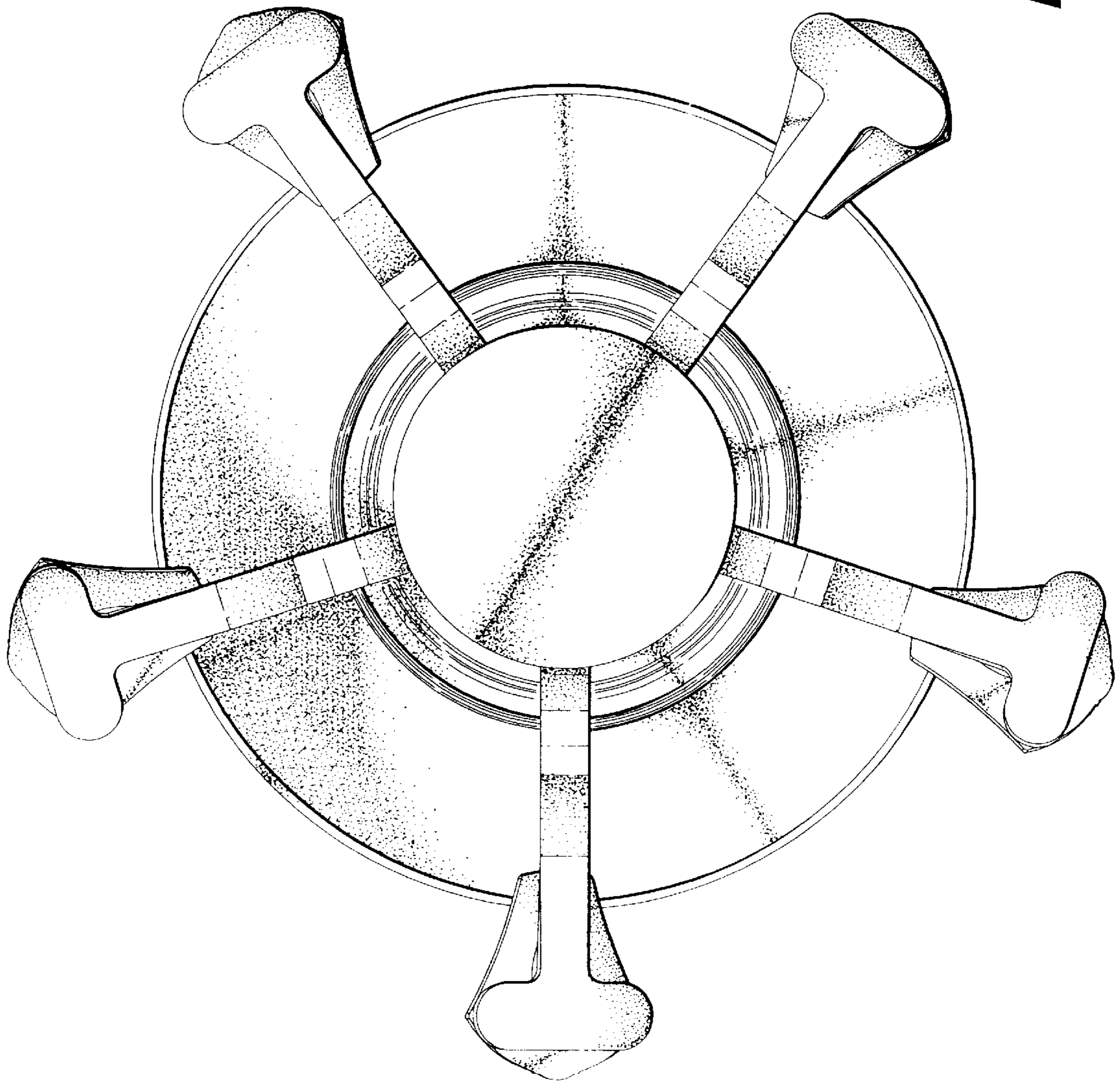
**FIG 4**



**FIG 5**

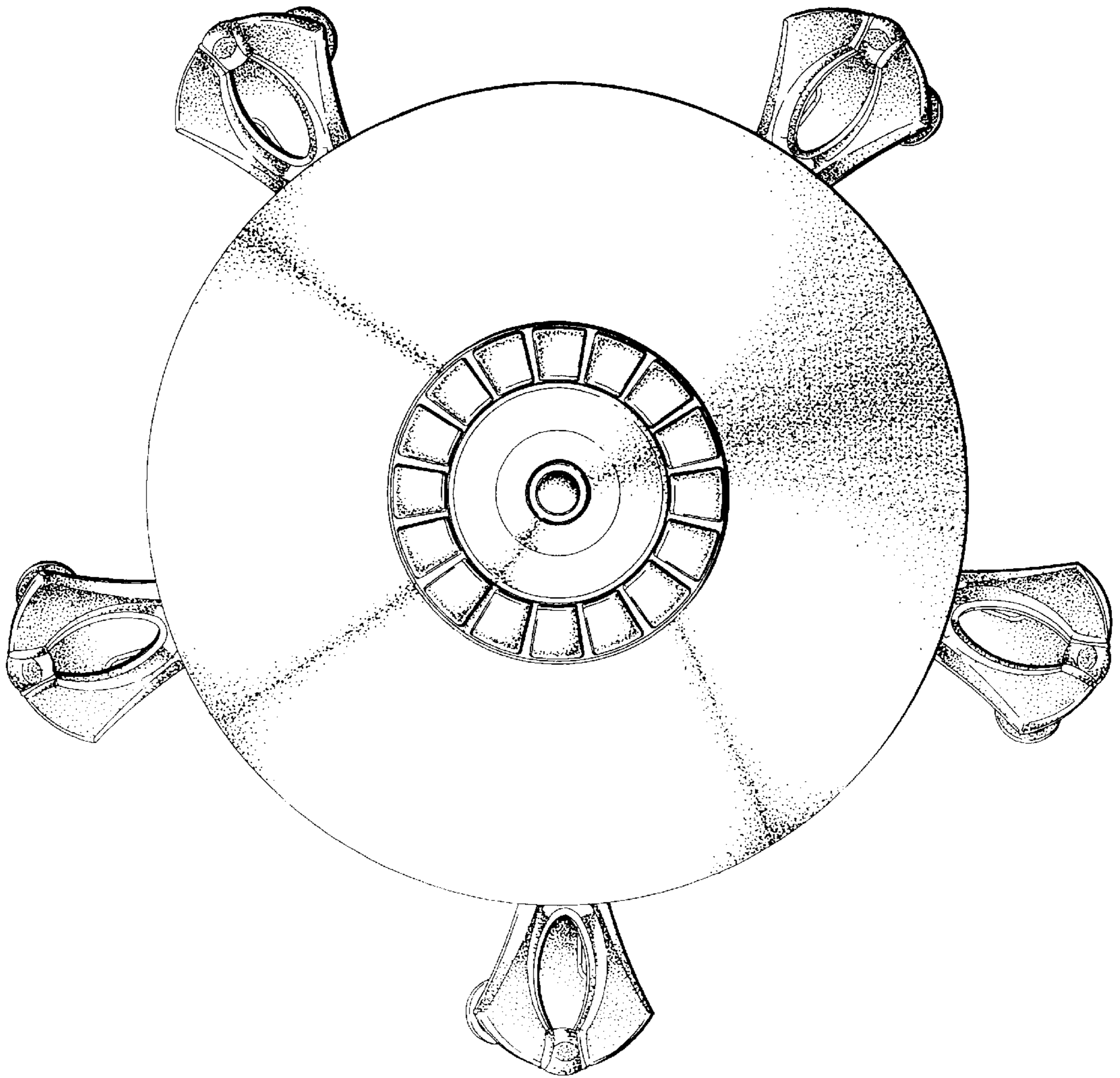


**FIG 6**



**FIG 7**





**FIG 8**