



US00D407476S

United States Patent [19]

Goeren et al.

[11] Patent Number: **Des. 407,476**

[45] Date of Patent: ****Mar. 30, 1999**

[54] AIR FRESHENER

[75] Inventors: **Cornelius J. Goeren**, New Albany;
Anne Peffer-Pitt, Columbus; **Elizabeth Baude Johnson**, Hilliard; **Carolyn R. Townsend**, Westerville, all of Ohio

[73] Assignee: **Bath & Body Works, Inc.**,
Reynoldsburg, Ohio

[**] Term: **14 Years**

[21] Appl. No.: **67,743**

[22] Filed: **Mar. 4, 1997**

Related U.S. Application Data

[62] Division of Ser. No. 45,244, Oct. 13, 1995.

[51] LOC (6) Cl. **23-04**

[52] U.S. Cl. **D23/366; D23/367**

[58] Field of Search D23/366-369;
D9/504, 503, 500, 337; 239/34, 57, 211,
60, 58, 59, 55; 261/DIG. 65; 422/120, 123,
305

[56] References Cited

U.S. PATENT DOCUMENTS

D. 315,676 3/1991 Snipes et al. D9/337

D. 368,771 4/1996 Patel et al. D9/503
2,770,382 11/1956 Ritter D9/500
2,802,090 8/1957 Fatzman et al. D23/362

FOREIGN PATENT DOCUMENTS

278798 of 1927 United Kingdom .

OTHER PUBLICATIONS

Glass Packer, p. 8, Jar (A), left middle side of page, Jan. 1961.

Current, p. 19, Jar (B), bottom left side of page, Aug. 1983.
Recipe Page from Pillsbury Cookbook, 1989.

Primary Examiner—Lisa Lichtenstein
Attorney, Agent, or Firm—Colucci & Umans

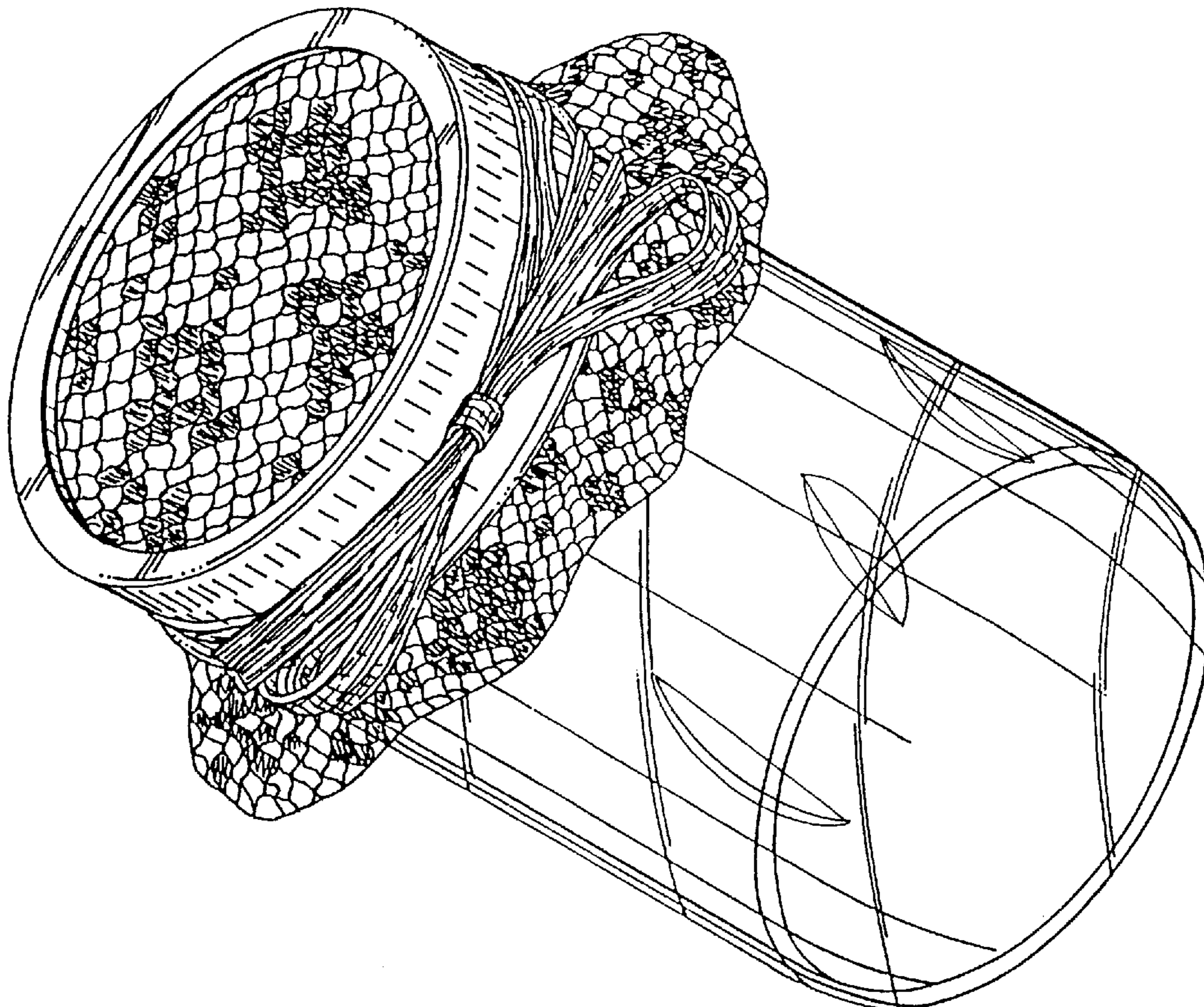
[57] CLAIM

The ornamental design for an air freshener, as shown.

DESCRIPTION

FIG. 1 is a perspective view of an air freshener showing our new design;
FIG. 2 is a perspective view of the bottom, left and back sides of the air freshener of FIG. 1; and,
FIG. 3 is a rear elevational view of the air freshener of FIG. 1.

1 Claim, 2 Drawing Sheets



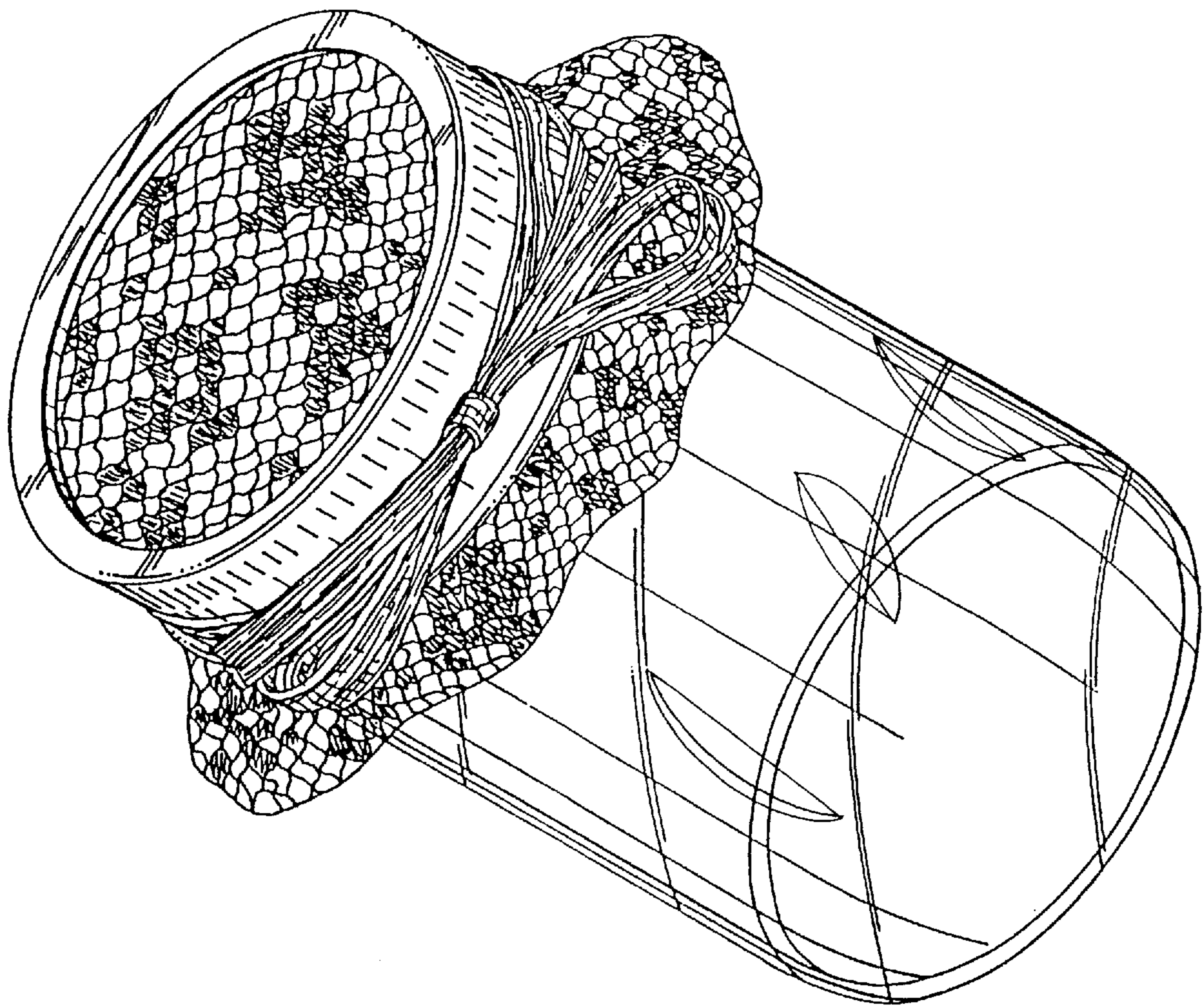


FIG. 1

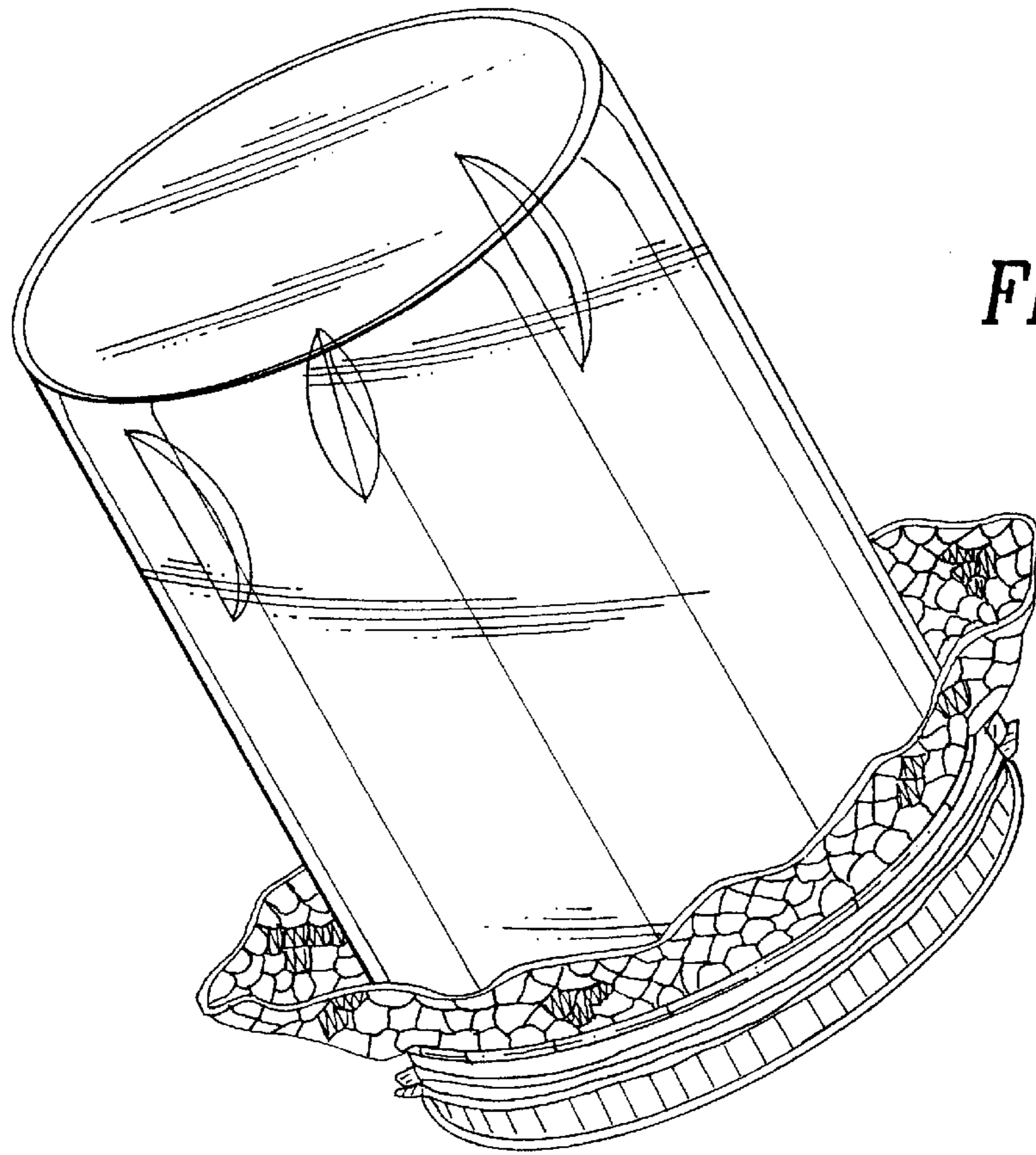


FIG. 2

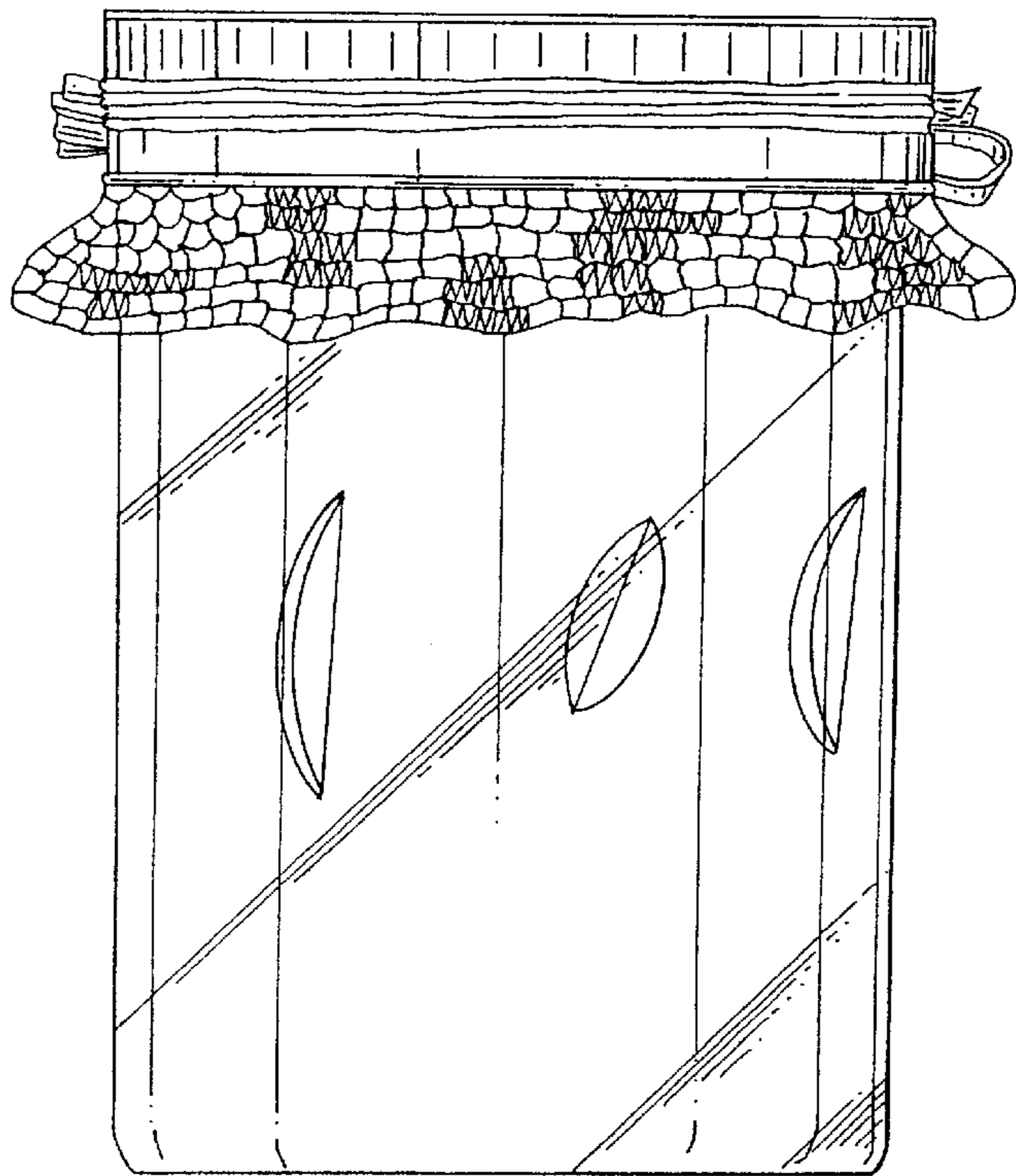


FIG. 3