



US00D407475S

United States Patent [19]

Coulonvaux et al.

[11] Patent Number: Des. 407,475

[45] Date of Patent: **Mar. 30, 1999

[54] BODY MEMBER FOR A HOUSING FOR AN AIR CLEANER

5,547,480 8/1996 Coulonvaux .
5,755,842 5/1998 Patel et al. .

[75] Inventors: Paul R. Coulonvaux, Brussels; Johan G. Dewit, Hamme-Mille, both of Belgium; Jeffrey J. Ivarson, San Rafael, Calif.

FOREIGN PATENT DOCUMENTS

93/9129 8/1994 South Africa .

[73] Assignee: Donaldson Company, Inc., Minneapolis, Minn.

OTHER PUBLICATIONS

Declaration of Stan Koehler with Exhibits A-E.

[**] Term: 14 Years

Primary Examiner—Lisa Lichtenstein
Attorney, Agent, or Firm—Merchant, Gould, Smith, Edell, Welter & Schmidt, P.A.

[21] Appl. No.: 76,667

[57] CLAIM

[22] Filed: Sep. 12, 1997

The ornamental design for a body member for a housing for an air cleaner, as shown and described.

[51] LOC (6) Cl. 23-04

DESCRIPTION

[52] U.S. Cl. D23/364; D23/355

FIG. 1 is a front side elevational view of a body member for a housing for an air cleaner, according to the present invention;

[58] Field of Search D23/364, 365, D23/355; 210/304; 55/320, 337, 459.1, 359

FIG. 2 is a back side elevational view of the body member of FIG. 1;

[56] References Cited

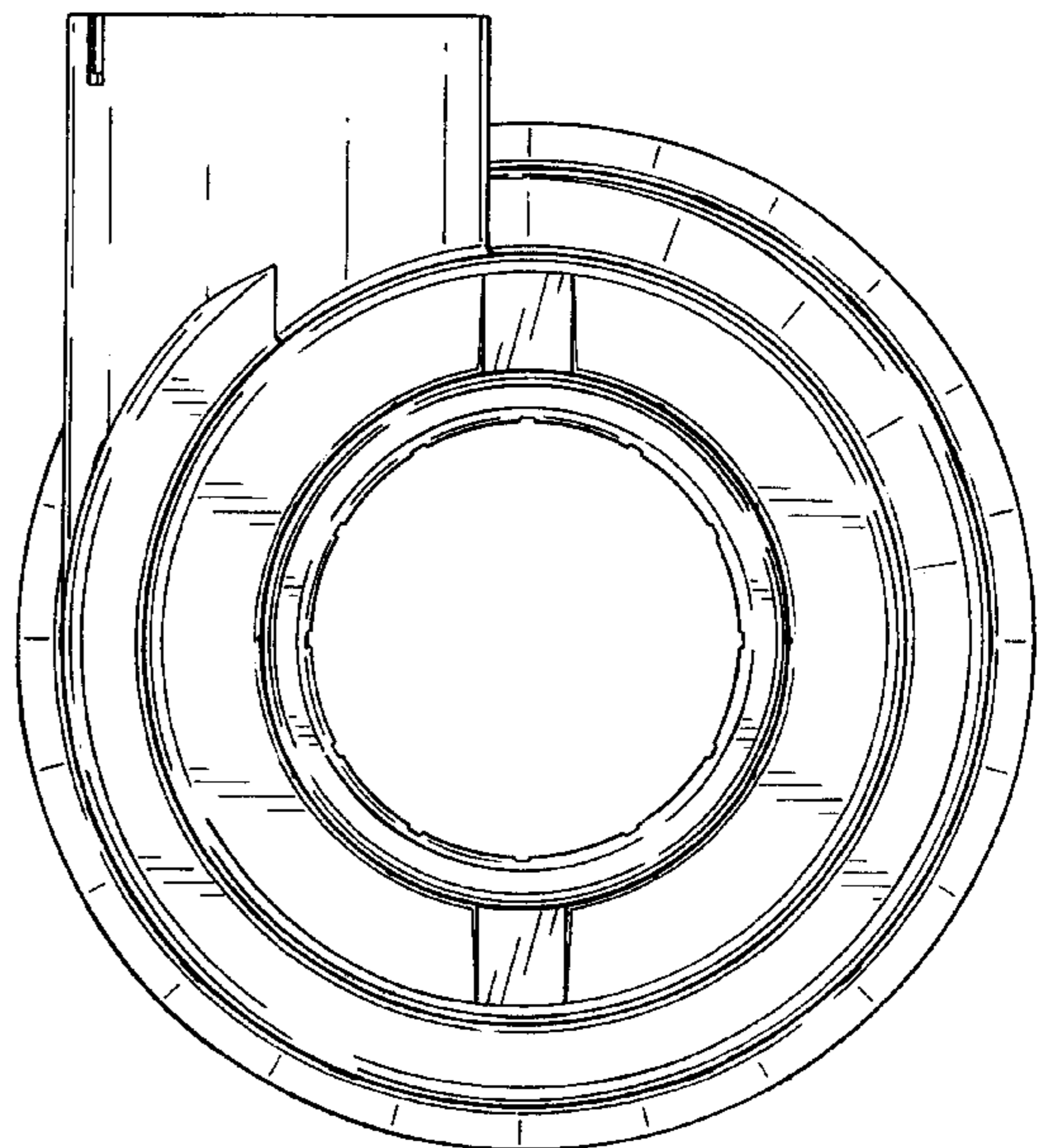
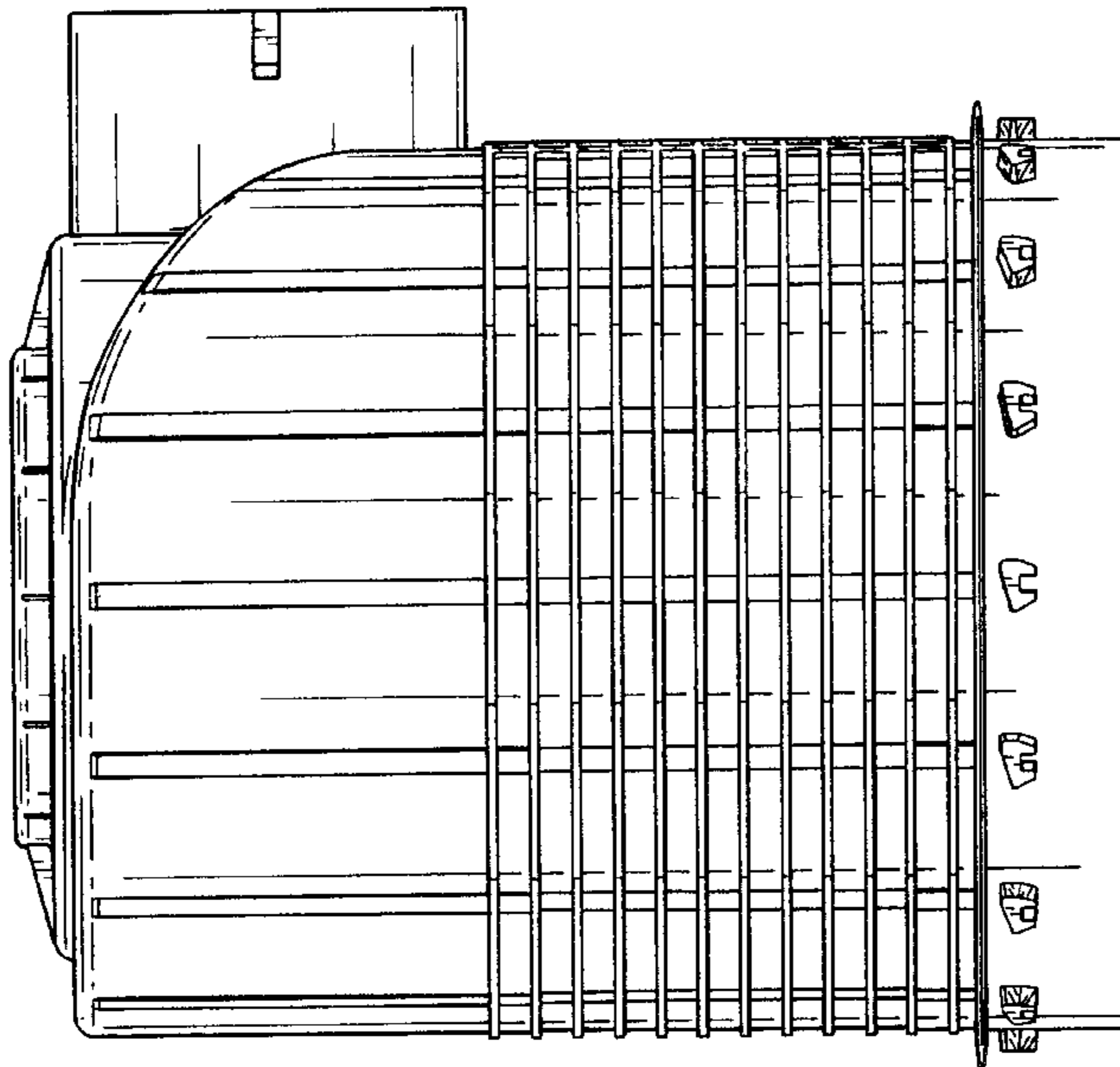
U.S. PATENT DOCUMENTS

- D. 377,523 1/1997 Marvin et al. D23/364
- D. 383,202 9/1997 Meister et al. D23/364
- 4,491,460 1/1985 Tokar .
- 5,137,557 8/1992 Behrendt et al. 55/337
- 5,545,241 8/1996 Vanderauwera et al. .

FIG. 3 is a bottom plan view of the body member of FIG. 1; FIG. 4 is a top plan view of the body member of FIG. 1; and, FIG. 5 is a left side elevational view of the body member of FIG. 1.

The right side elevational view is not depicted, as it is plain and unornamented.

1 Claim, 5 Drawing Sheets



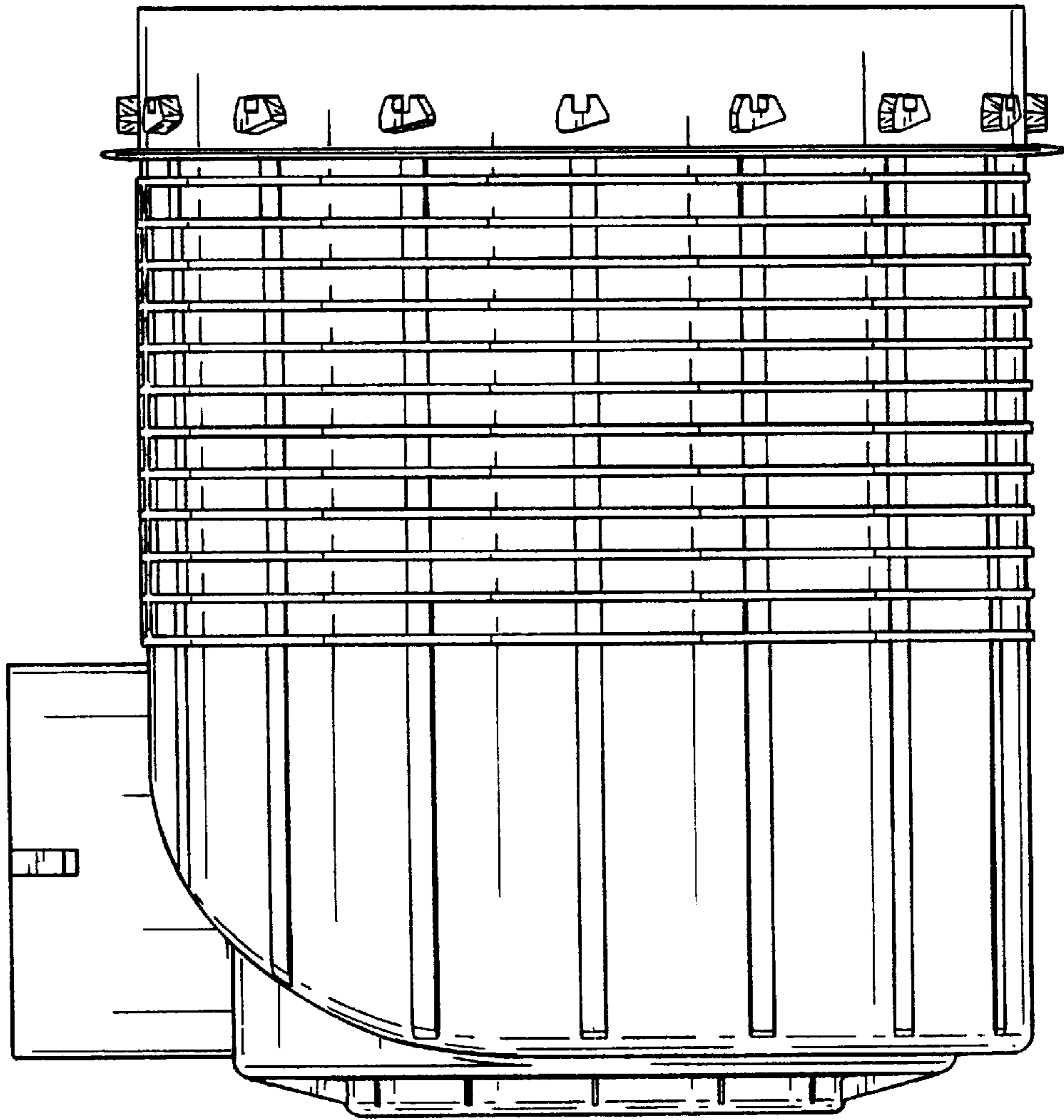


FIG. 1

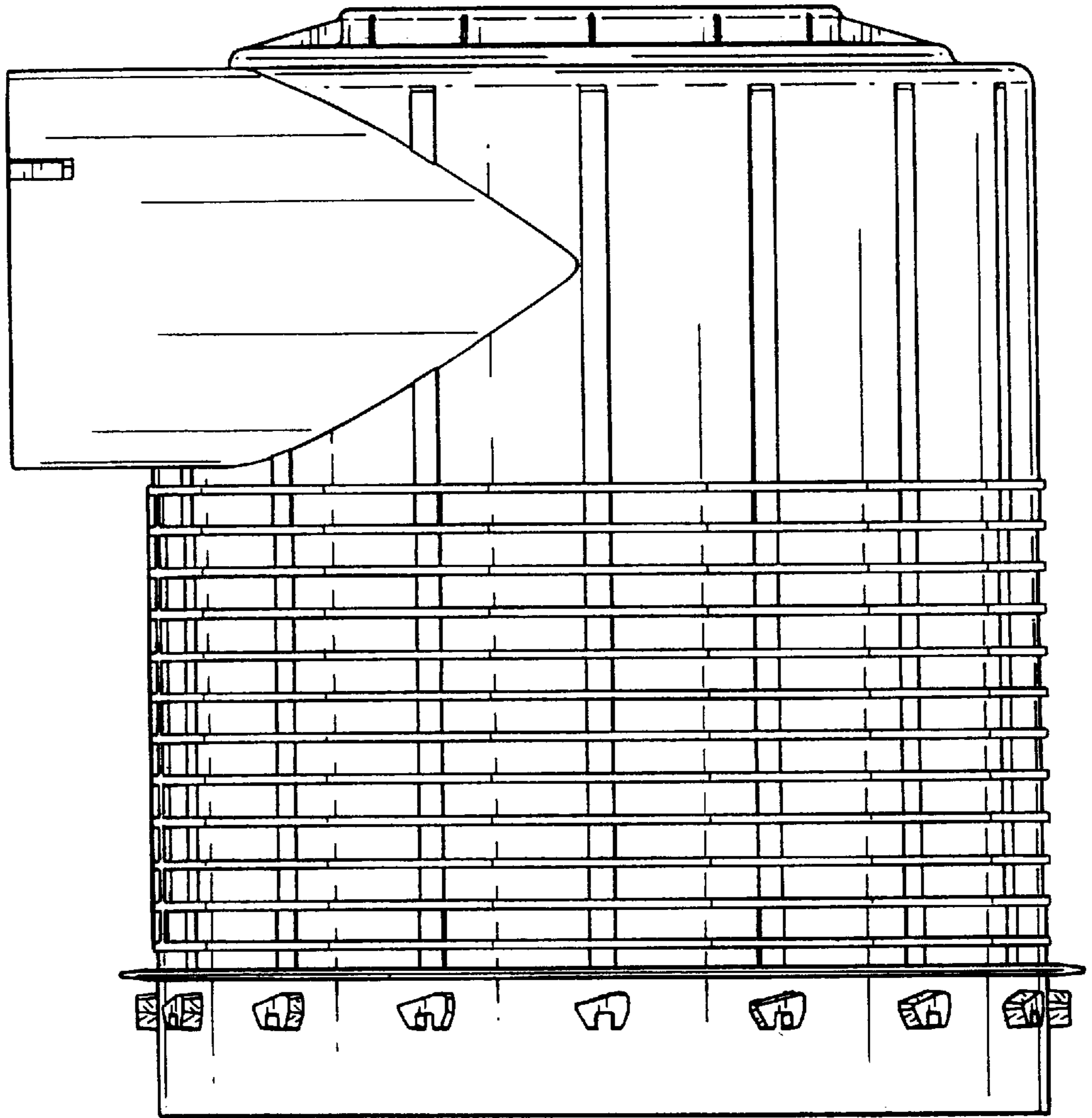


FIG. 2

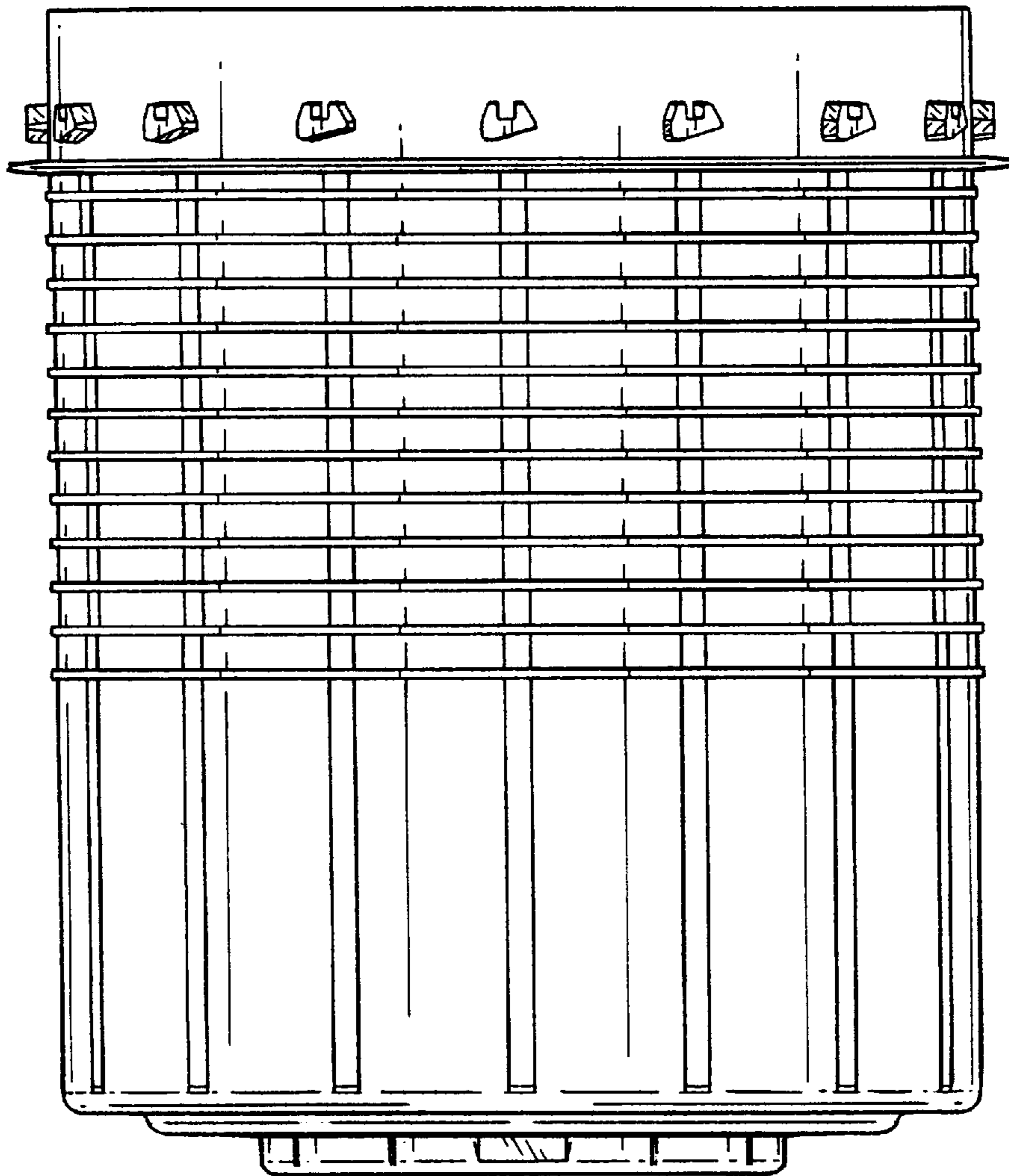


FIG. 3

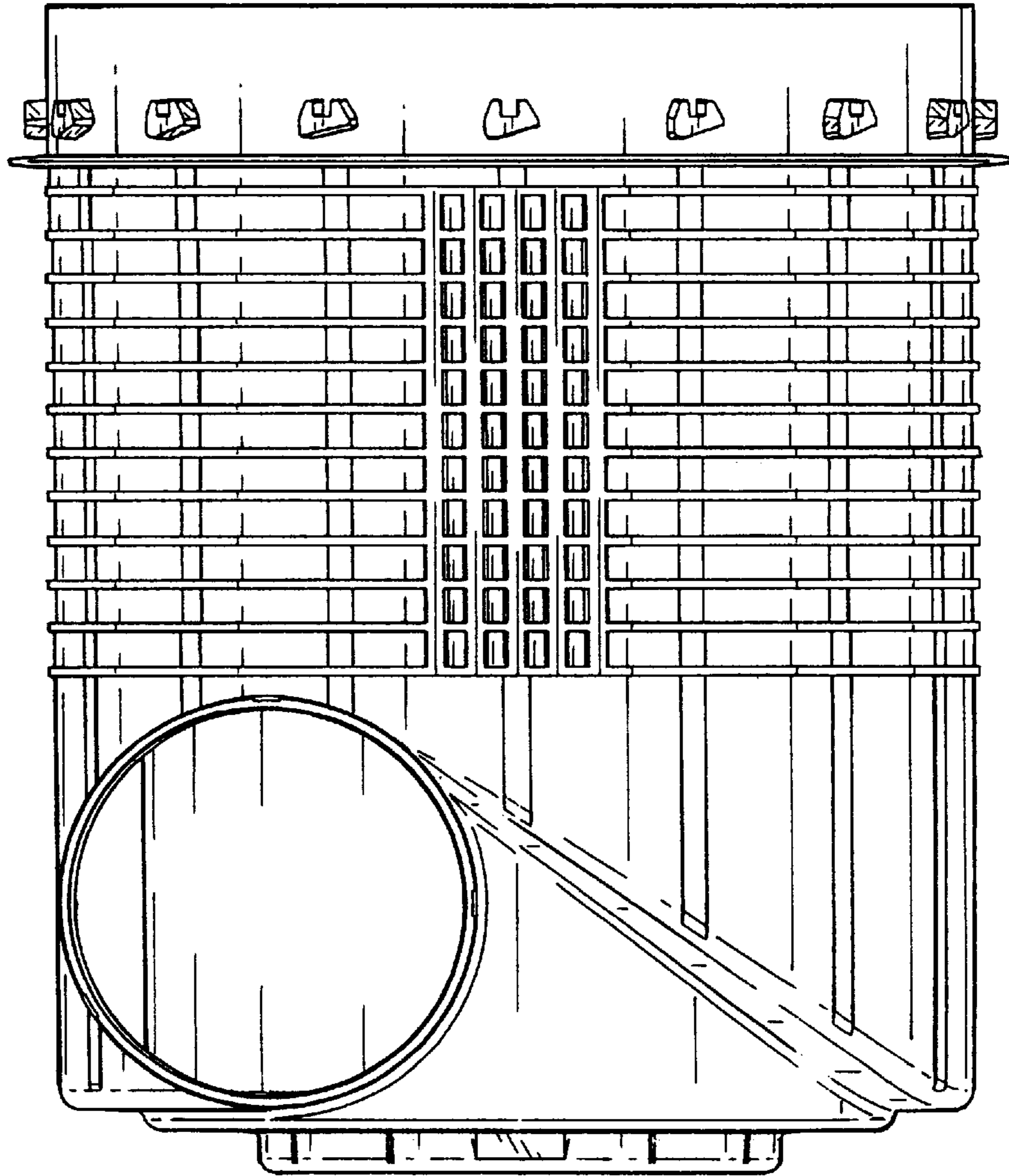


FIG. 4

FIG. 5

