



US00D407474S

United States Patent [19]

Sage et al.

[11] Patent Number: Des. 407,474

[45] Date of Patent: **Mar. 30, 1999

[54] HEATING AND COOLING NECK DEVICE

[76] Inventors: Donald L. Sage; Linda G. Sage, both of 14 Evergreen Row, Armonk, N.Y. 10504

[**] Term: 14 Years

[21] Appl. No.: 56,182

[22] Filed: Jun. 25, 1996

[51] LOC (6) Cl. 23-03

[52] U.S. Cl. D23/332; D23/314

[58] Field of Search D23/314, 328, D23/332; 62/259.3, 530; 2/DIG. 11, 338, 181, 209.13, 170, 312; 607/108-112; D2/500-502, 610, 614; D24/206

[56] References Cited

U.S. PATENT DOCUMENTS

2,849,723	9/1958	Marino	2/338
3,202,801	8/1965	Saluri	D24/206
3,374,636	3/1968	Mason	2/312
4,981,135	1/1991	Hardy	607/108
5,086,629	2/1992	Dibrell	2/92
5,265,669	11/1993	Schneider	62/259.3
5,361,603	11/1994	Merritt-Munson	62/530
5,545,197	8/1996	Bowen	607/108

OTHER PUBLICATIONS

Therm-O-Rite products corp., p. 15, Neck heating & cooling device (A), top right side of page.

Primary Examiner—Lisa Lichtenstein

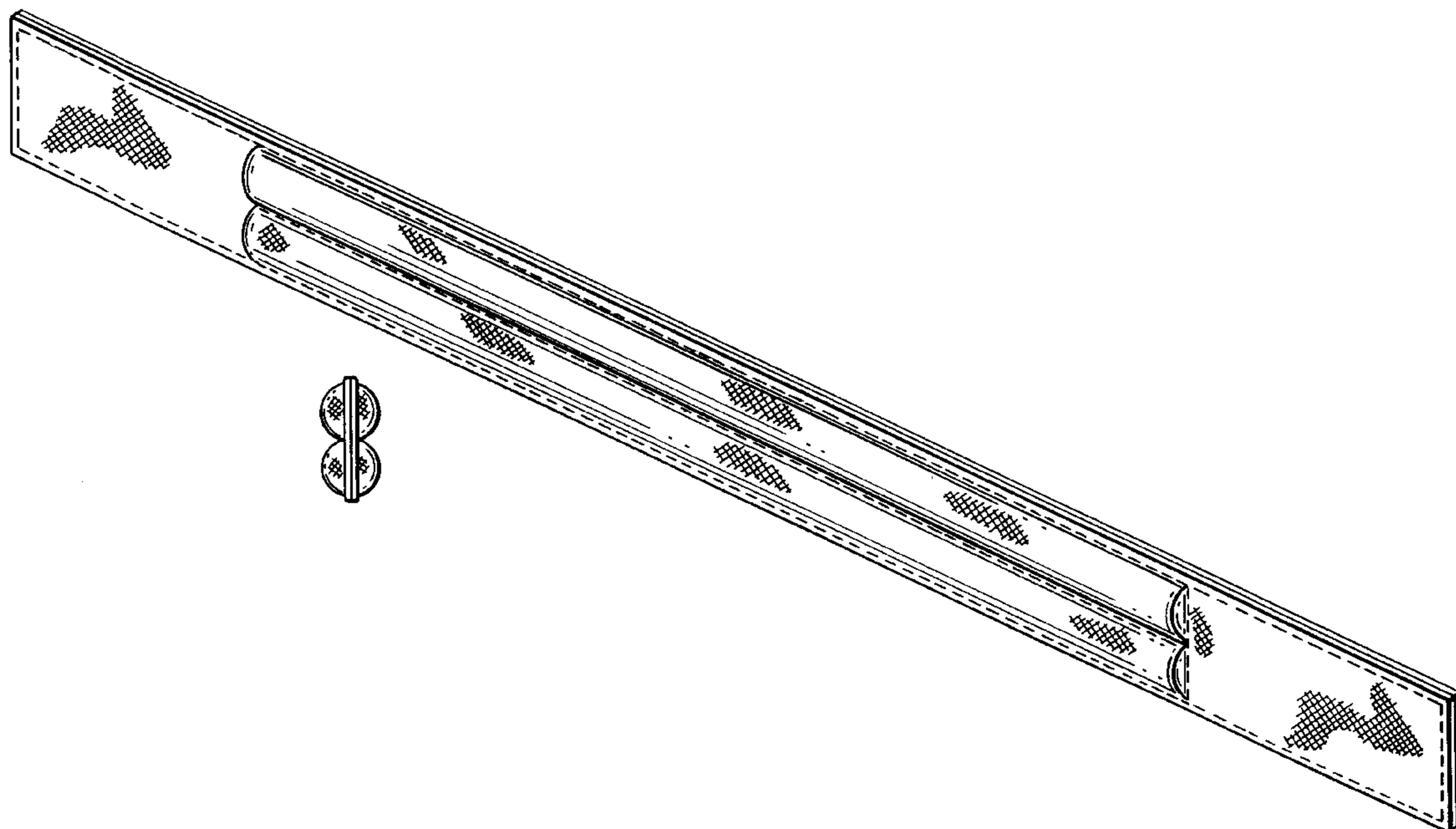
[57] CLAIM

The ornamental design for a heating and cooling neck device, as shown and described.

DESCRIPTION

FIG. 1 is a perspective view of a heating and cooling neck device showing our new design in its expanded condition. The broken line showing of stitching is for illustrative purposes only and forms no part of the claimed design; FIG. 2 is a right side view of the invention shown in FIG. 1, with the left side being a mirror image thereof; FIG. 3 is a top view of the invention shown in FIGS. 1 and 2, with the bottom view being a mirror image thereof; FIG. 4 is a front plan view of the invention shown in FIGS. 1-3, in the expanded condition, i.e., after the device is soaked in water and expanded; with the rear plan view being a mirror image thereof; FIG. 5 is a perspective view of the invention shown in FIGS. 1-4, in its flat condition, i.e. before the device is soaked in water and expanded; FIG. 6 is a perspective view of a heating and cooling neck device, showing a second embodiment of our new device, in its expanded condition; FIG. 7 is a right side view of the embodiment shown in FIG. 6, with the left side view being a mirror image thereof; and, FIG. 8 is a top view of the embodiment of the invention shown in FIGS. 6 and 7 with the bottom view being a mirror image thereof; The cross-hatching represents conventional fabric and is understood to extend uniformly throughout area represented.

1 Claim, 3 Drawing Sheets



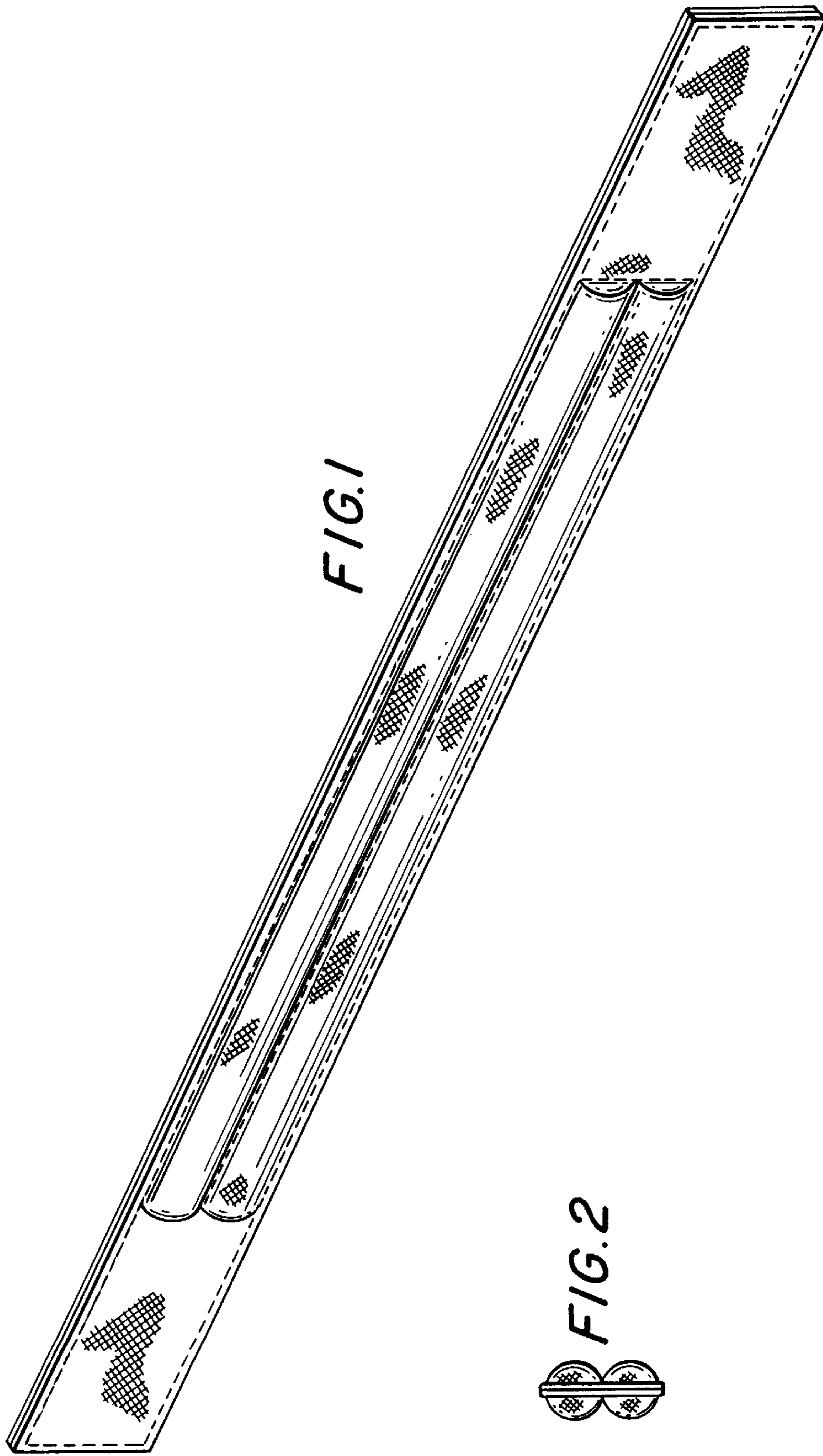


FIG. 1

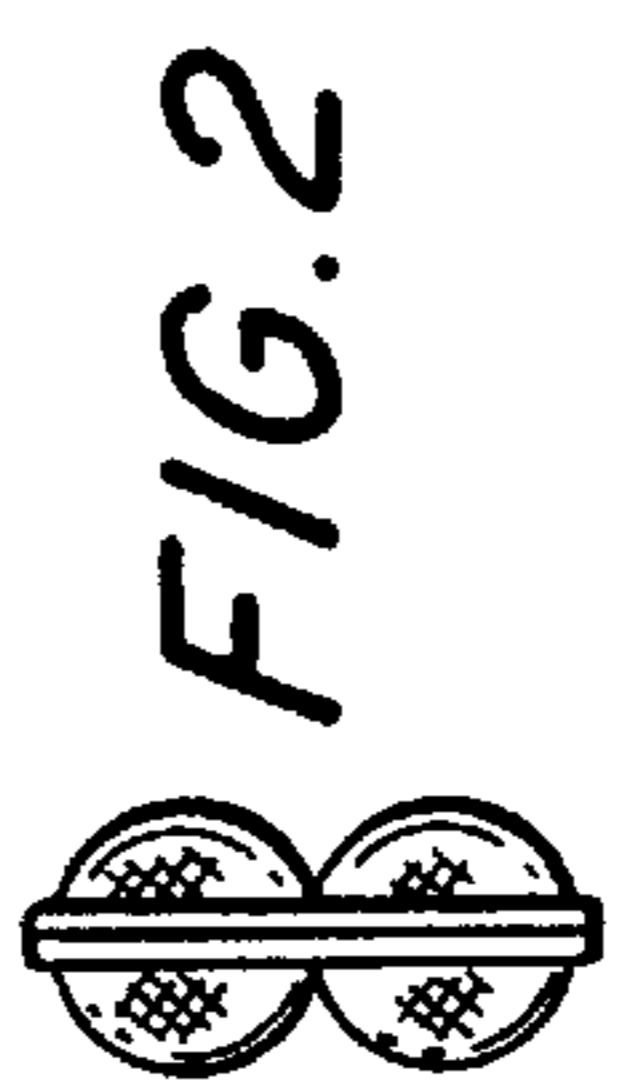


FIG. 2

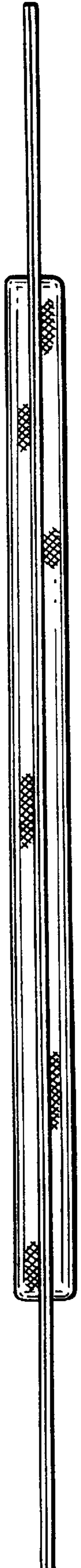


FIG. 3

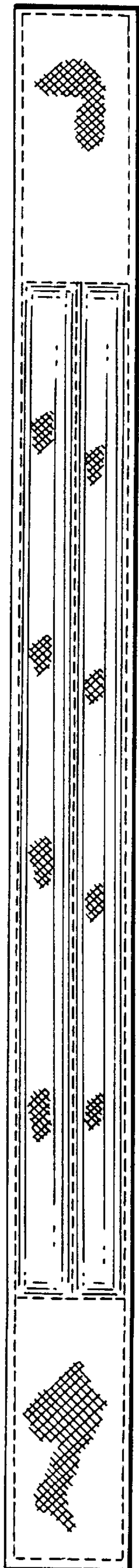


FIG. 4

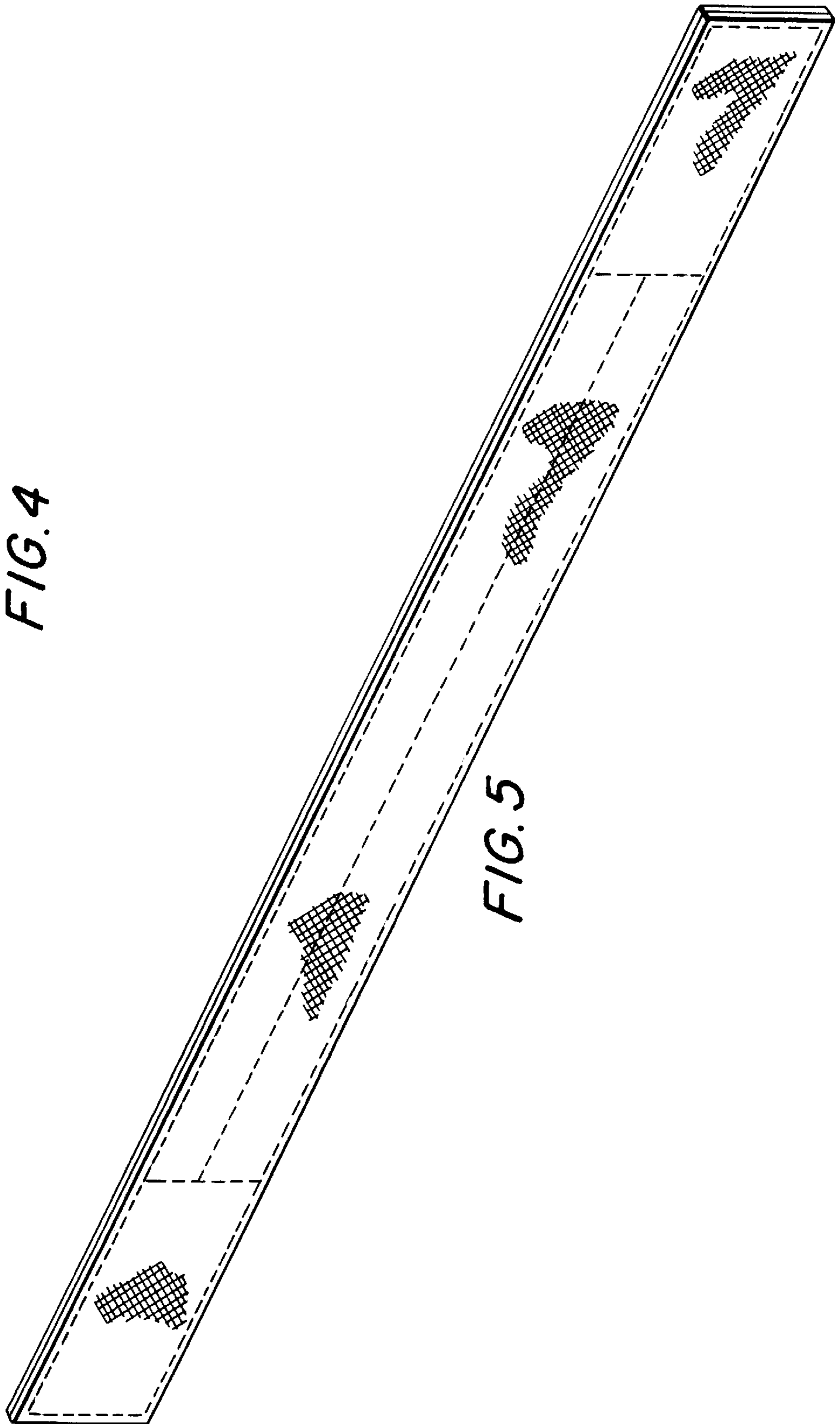


FIG. 5

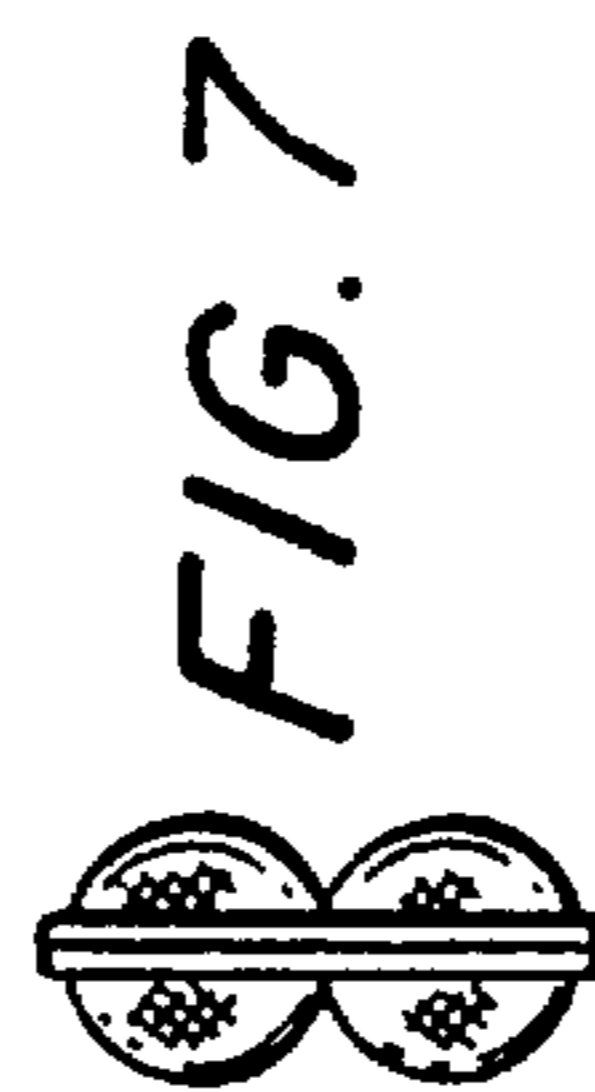
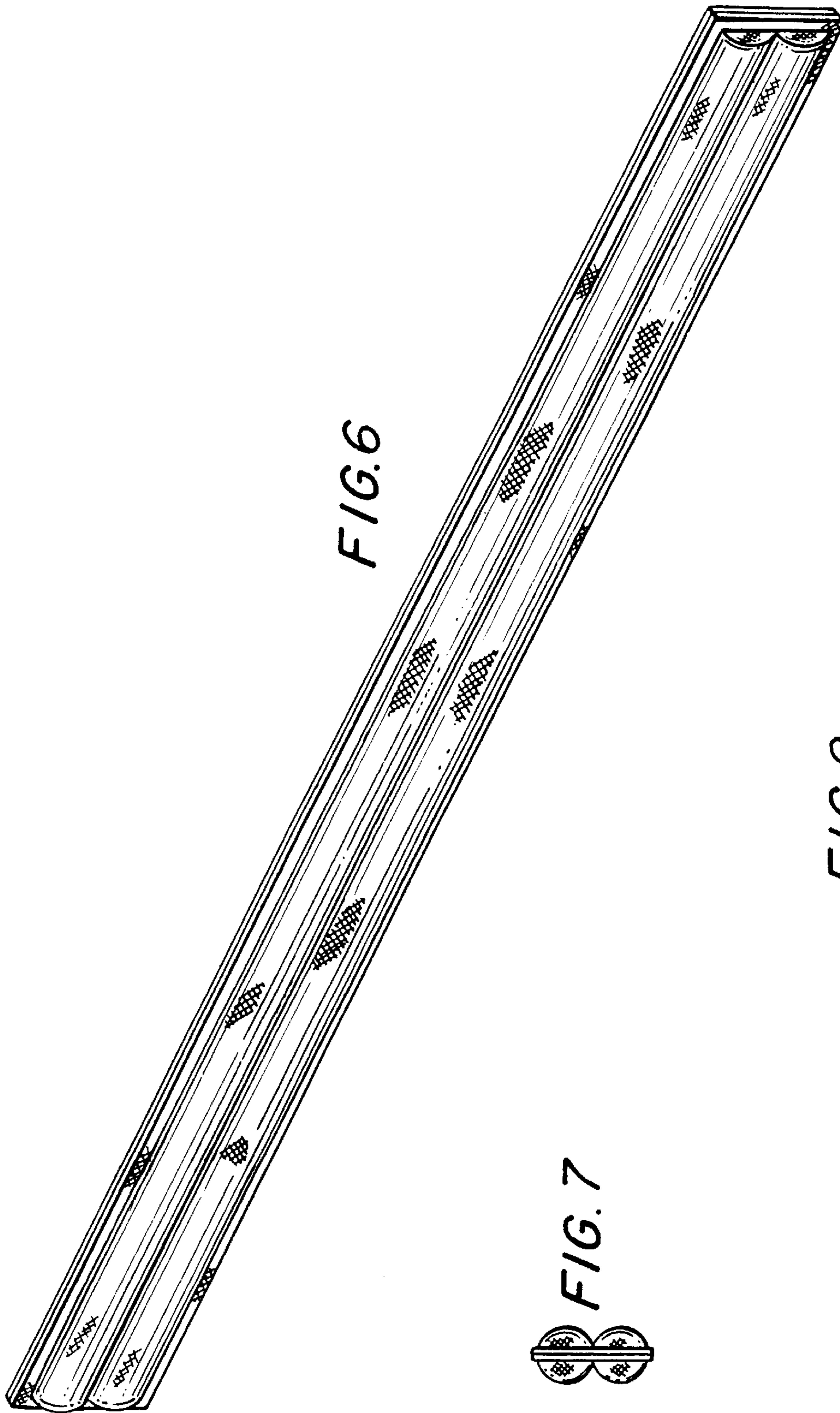


FIG. 8

