

US00D407470S

United States Patent [19] McKeone

[11] **Patent Number: Des. 407,470**

[45] **Date of Patent: **Mar. 30, 1999**

[54] **PEDESTAL LAVATORY**

1990 Giorgio catalog ad showing pedestal lavatory.

[75] Inventor: **William C. McKeone**, Sheboygan, Wis.

Primary Examiner—Louis S. Zarfes
Assistant Examiner—Eric Watterson
Attorney, Agent, or Firm—Quarles & Brady LLP

[73] Assignee: **Kohler Co.**, Kohler, Wis.

[**] Term: **14 Years**

[21] Appl. No.: **89,358**

[57] **CLAIM**

[22] Filed: **Jun. 15, 1998**

The ornamental design for a pedestal lavatory, as shown and described.

Related U.S. Application Data

DESCRIPTION

[62] Division of Ser. No. 62,664, Nov. 21, 1996.

[51] **LOC (6) Cl.** **23-02**

[52] **U.S. Cl.** **D23/292**

[58] **Field of Search** D23/284–293.1;
4/619, 624, 626, 638–650

FIG. 1 is a left, top, front perspective view of a pedestal lavatory embodying my new design;

FIG. 2 is a top plan view thereof;

FIG. 3 is a front elevational view thereof;

FIG. 4 is a right side elevational view thereof, the left side elevational view being a mirror image of the right side shown;

FIG. 5 is a cross-sectional view taken along line 5—5 of FIG. 2; and,

FIG. 6 is a cross-sectional view taken along line 6—6 of FIG. 2.

The broken line representations of holes in FIGS. 1, 2, and 5 are for purposes of illustration only, and form no part of the claimed design.

[56] **References Cited**

U.S. PATENT DOCUMENTS

D. 41,842	10/1911	Gavin	D23/292
D. 45,283	2/1914	Allen	D23/292
D. 76,918	11/1928	Crane	D23/292
D. 77,877	3/1929	Brain	D23/292
D. 296,357	6/1988	Brossardt et al.	D23/292
D. 320,068	9/1991	Waldren	D23/292

OTHER PUBLICATIONS

Undated American Standard catalog ad showing "Galleria" pedestal lavatory.

1990 Giorgio catalog ad showing 1031 G/B pedestal lavatory.

1 Claim, 5 Drawing Sheets

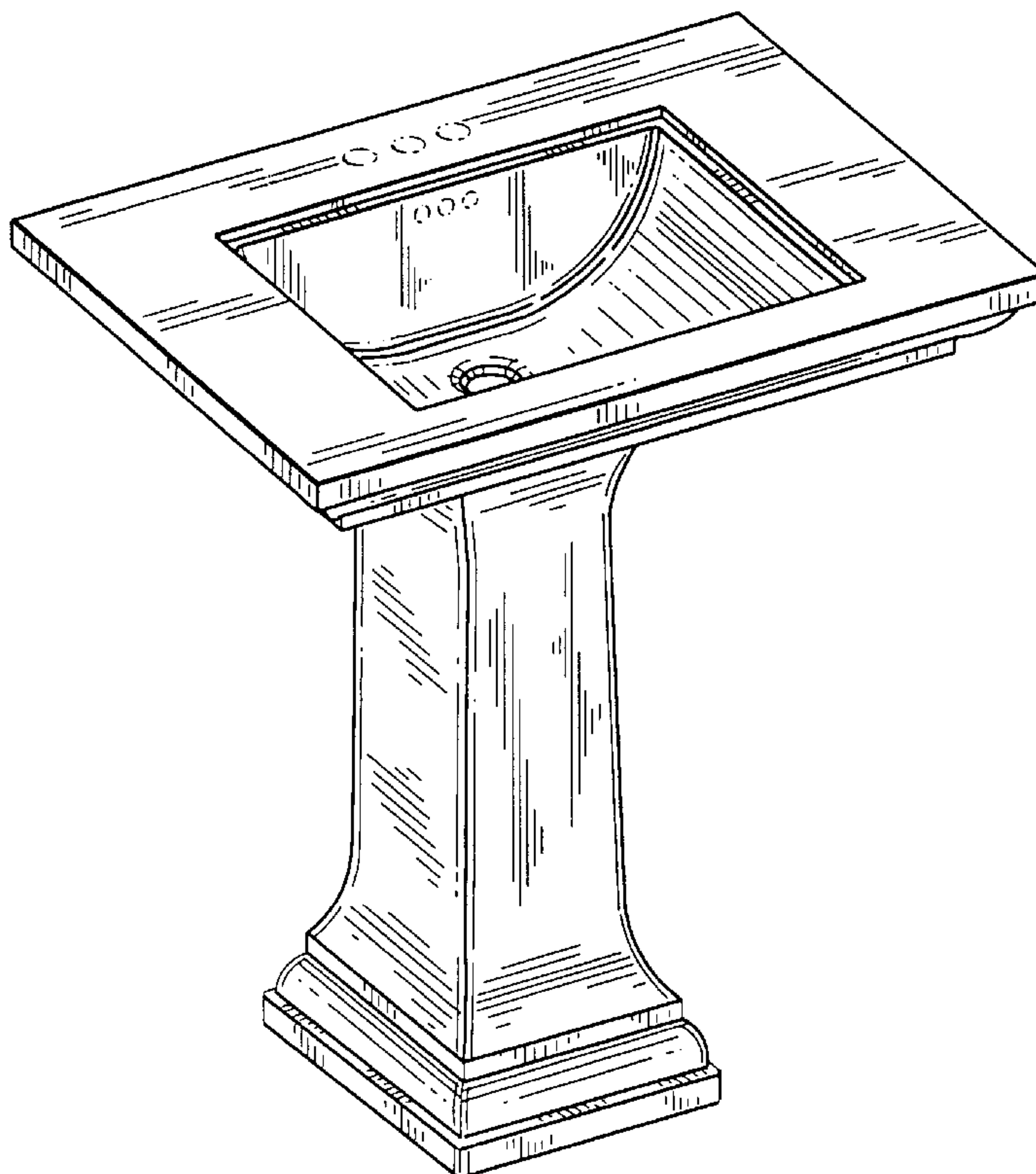


FIG. 1

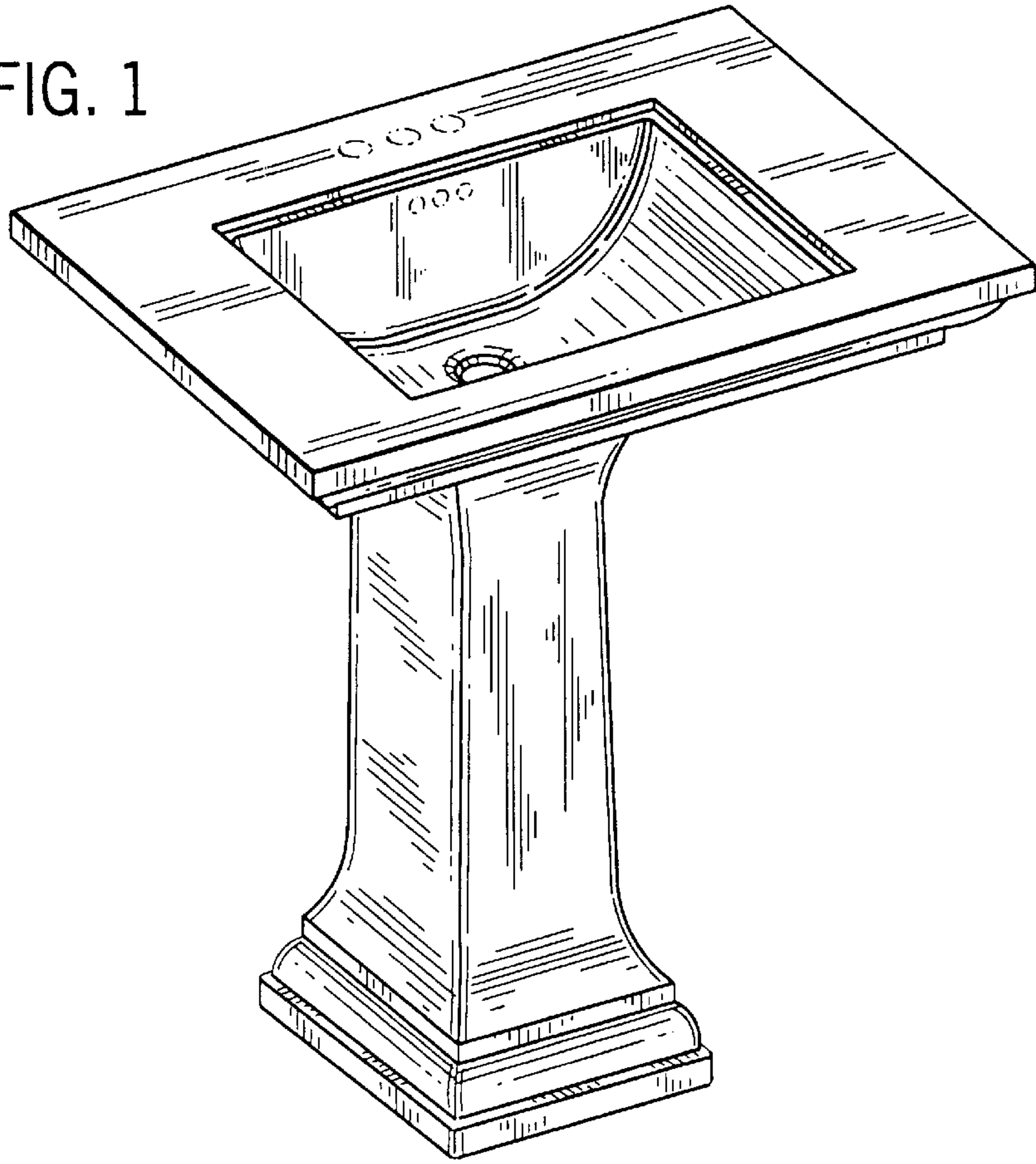


FIG. 2

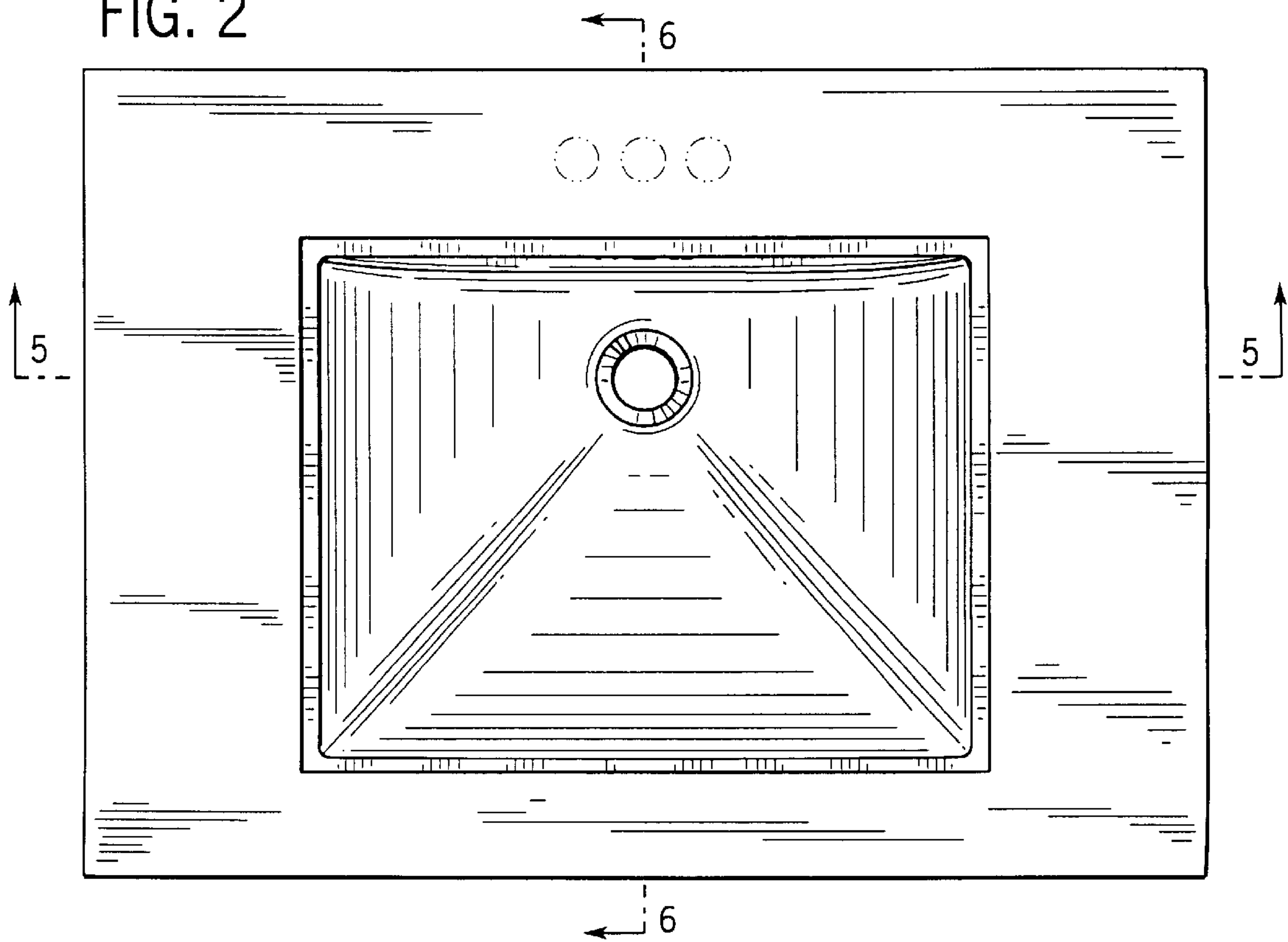


FIG. 3

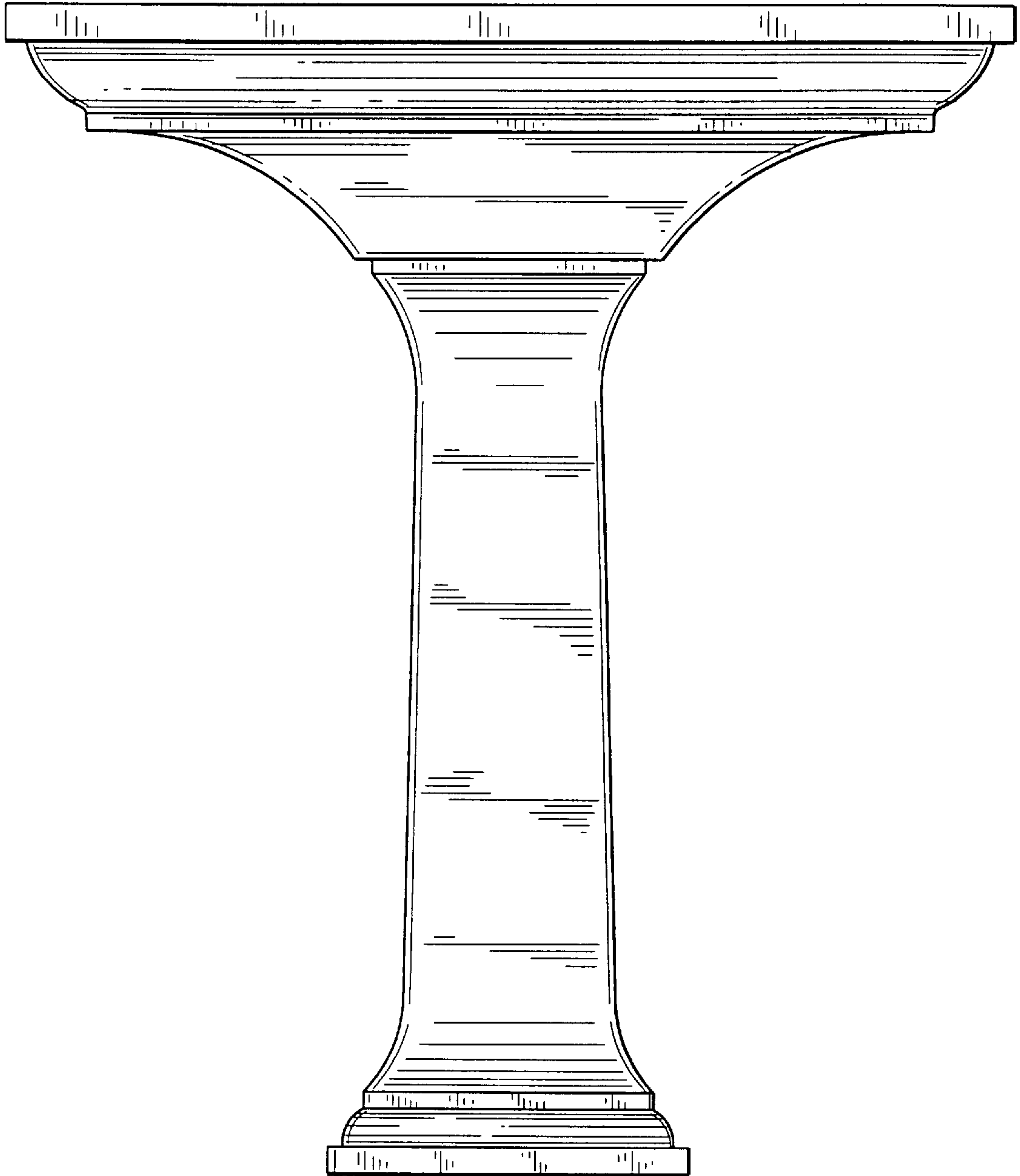


FIG. 4

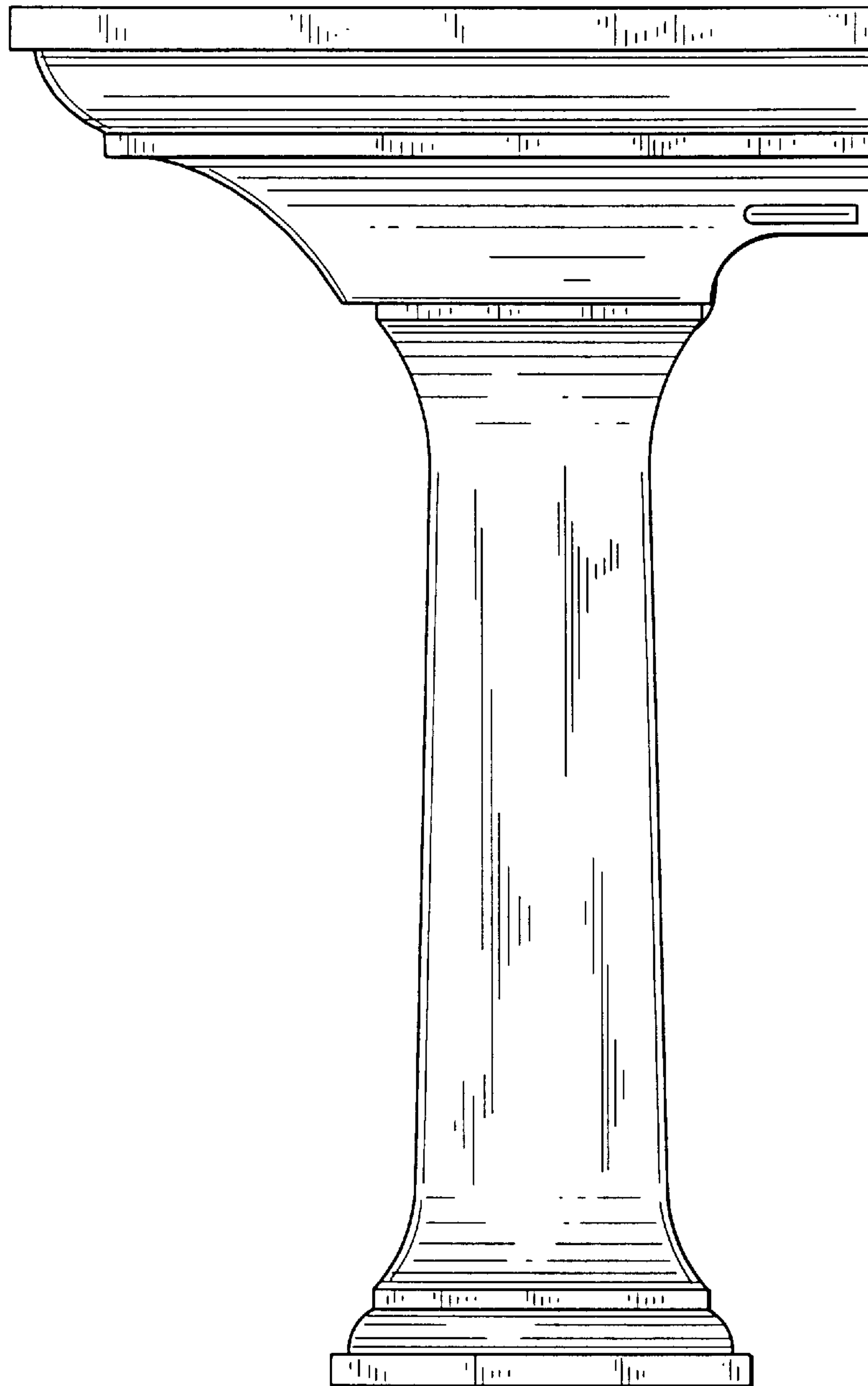


FIG. 5

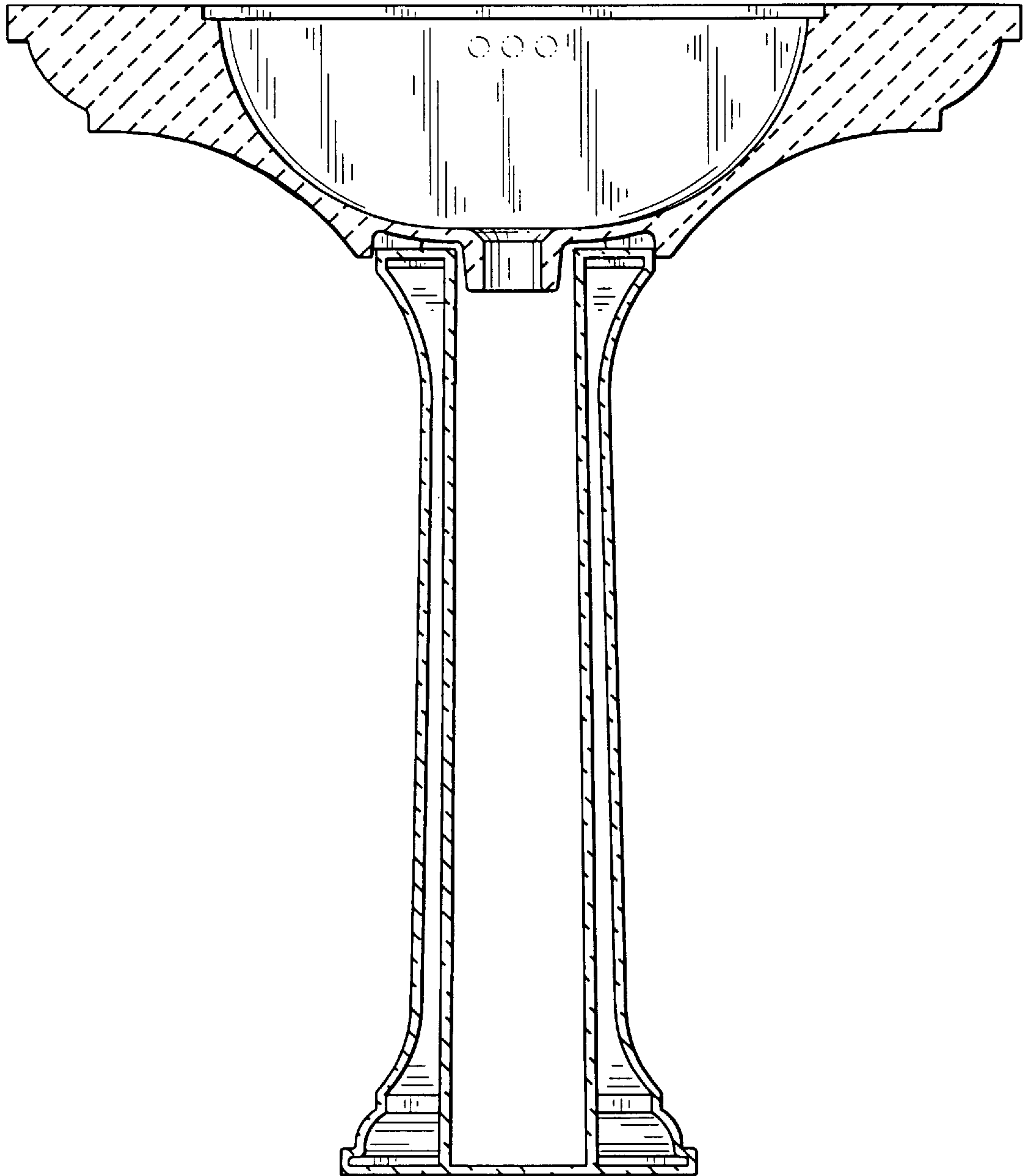


FIG. 6

