



US00D407467S

United States Patent [19]
McWilliams

[11] **Patent Number: Des. 407,467**

[45] **Date of Patent: **Mar. 30, 1999**

[54] **OIL FILLER CAP EXTENSION**

[76] Inventor: **Vern L McWilliams**, P.O. Box 482,
Buellton, Calif. 93427

[**] Term: **14 Years**

[21] Appl. No.: **89,924**

[22] Filed: **Jun. 26, 1998**

[51] **LOC (6) Cl.** **23-01**

[52] **U.S. Cl.** **D23/260**

[58] **Field of Search** D23/256, 260;
210/198.1, 288, 293, 376, 377; 215/200,
201, 203; 222/552, 554, 563

[56] **References Cited**

U.S. PATENT DOCUMENTS

D. 311,056 10/1990 Patterson D23/260
D. 365,625 12/1995 Boua D23/266
D. 370,709 6/1996 John D23/260

Primary Examiner—Marcus A. Jackson

[57] **CLAIM**

The ornamental design for a oil filler cap extension, as shown.

DESCRIPTION

FIG. 1 is a front elevational view of the oil filler cap extension of the present invention;

FIG. 2 is a back elevational view of the oil filler cap extension of FIG. 1;

FIG. 3 is a right side elevational view of the oil filler cap extension of FIG. 1;

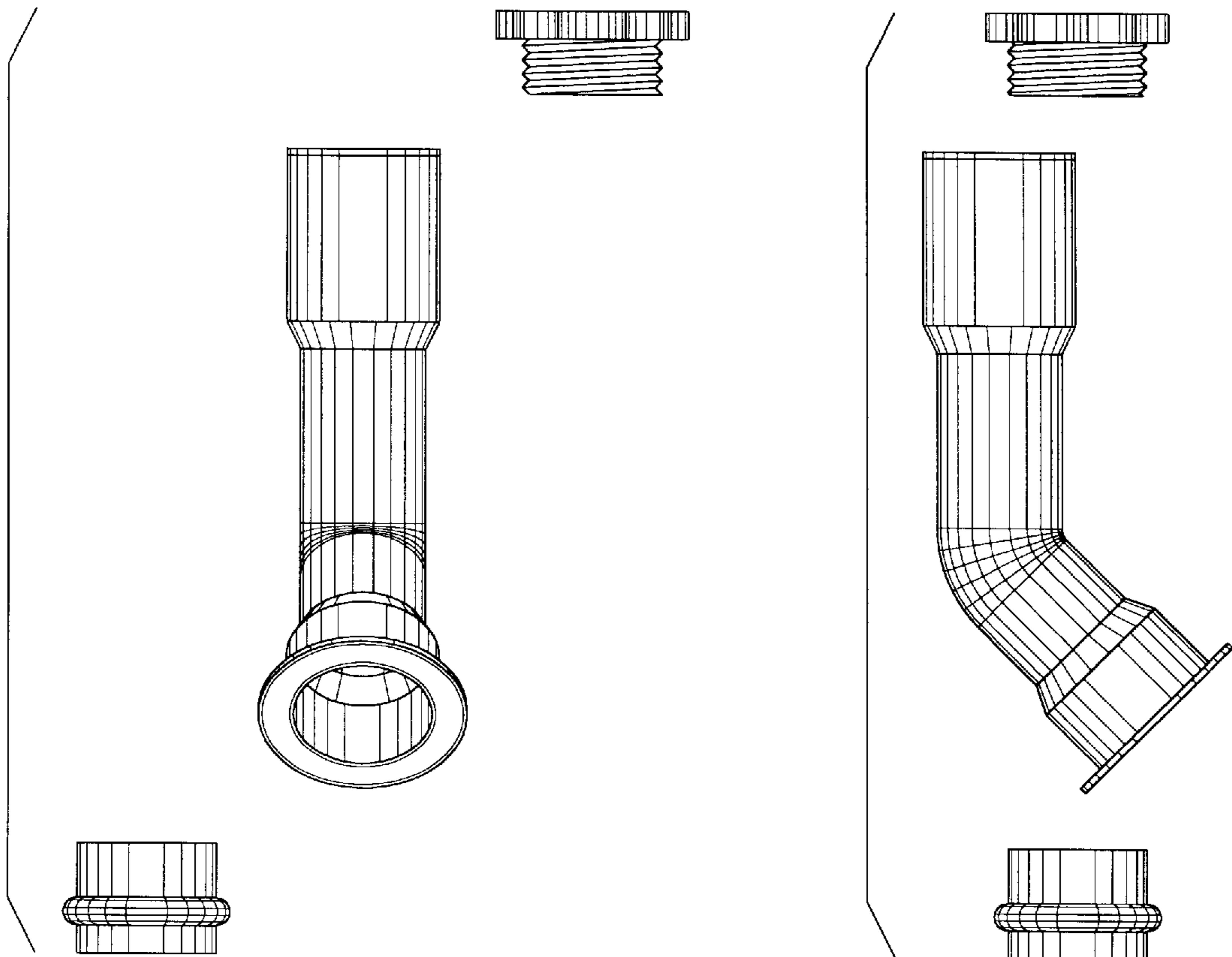
FIG. 4 is a left side elevational view of the oil filler cap extension of FIG. 1;

FIG. 5 is a top plan view of the oil filler cap extension of FIG. 1;

FIG. 6 is a bottom plan view of the oil filler cap extension of FIG. 1; and,

FIG. 7 is a cross sectional view of an assembled embodiment of the oil filler cap extension of FIG. 1.

1 Claim, 4 Drawing Sheets



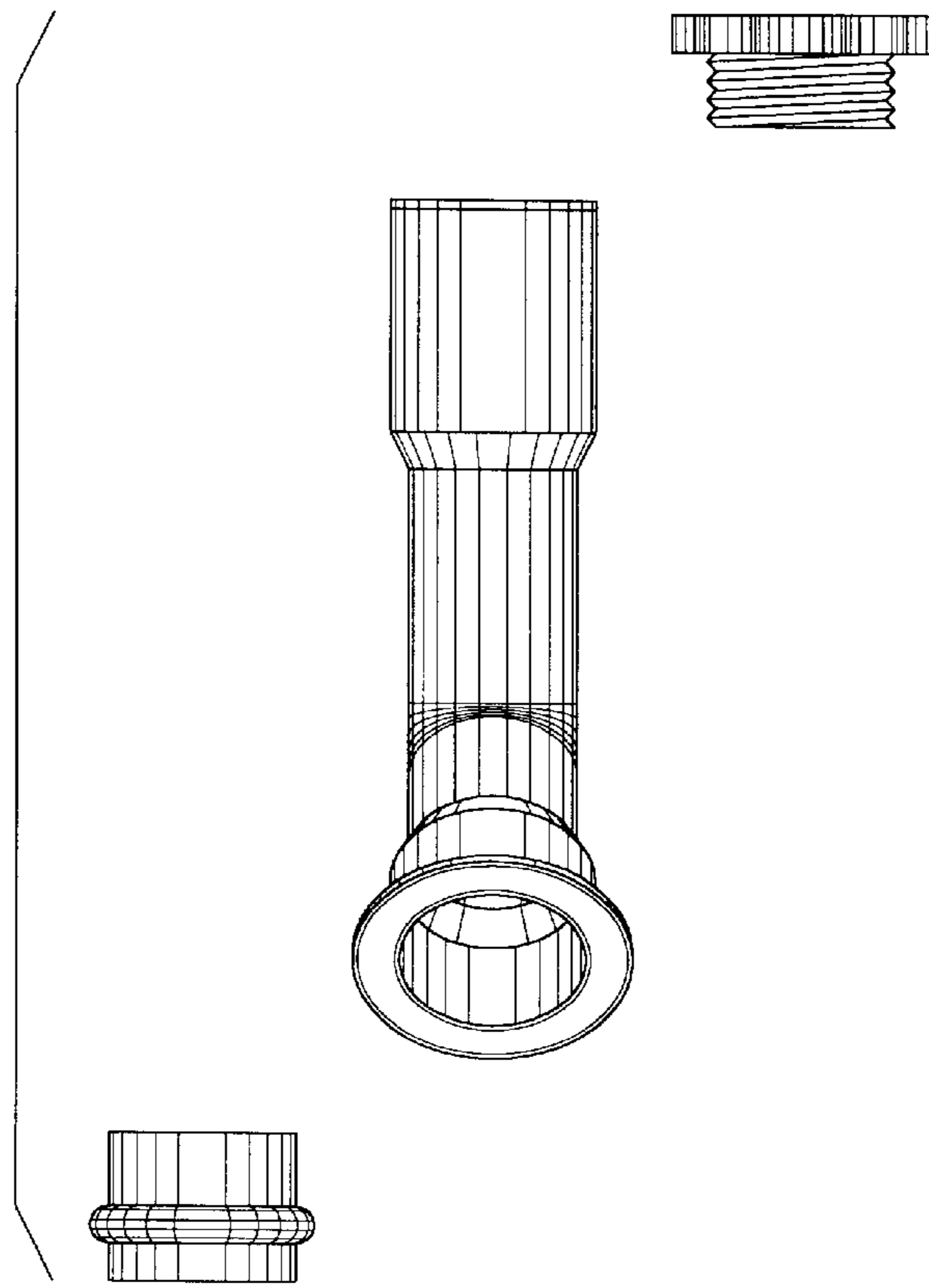


Fig. 1

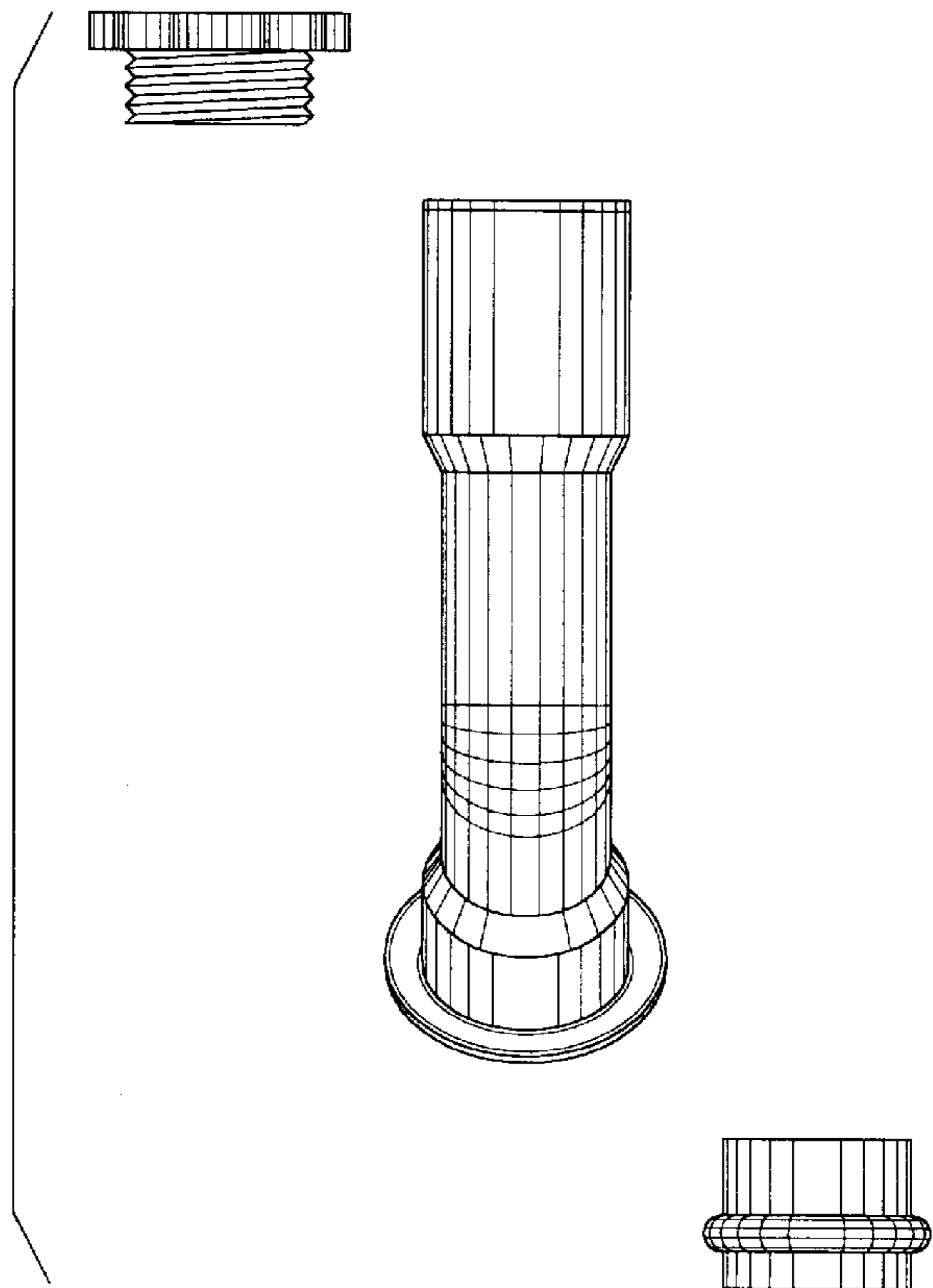


Fig. 2

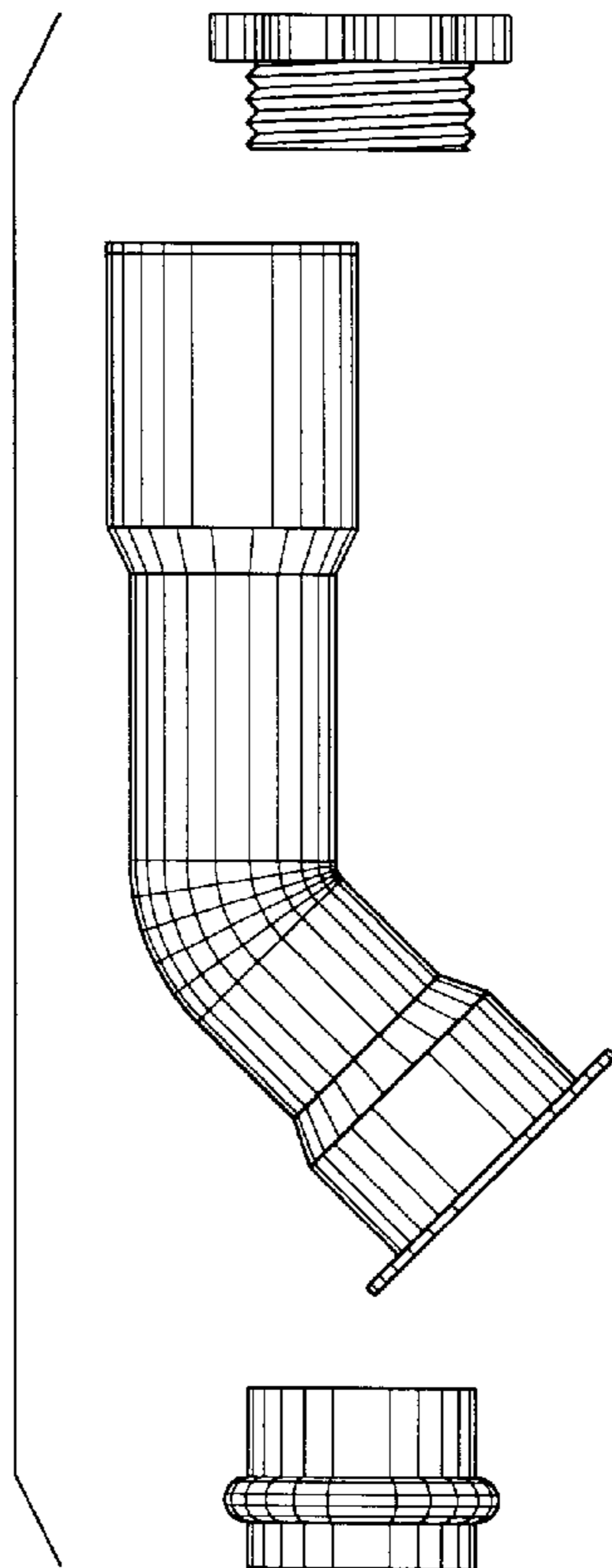


Fig. 3

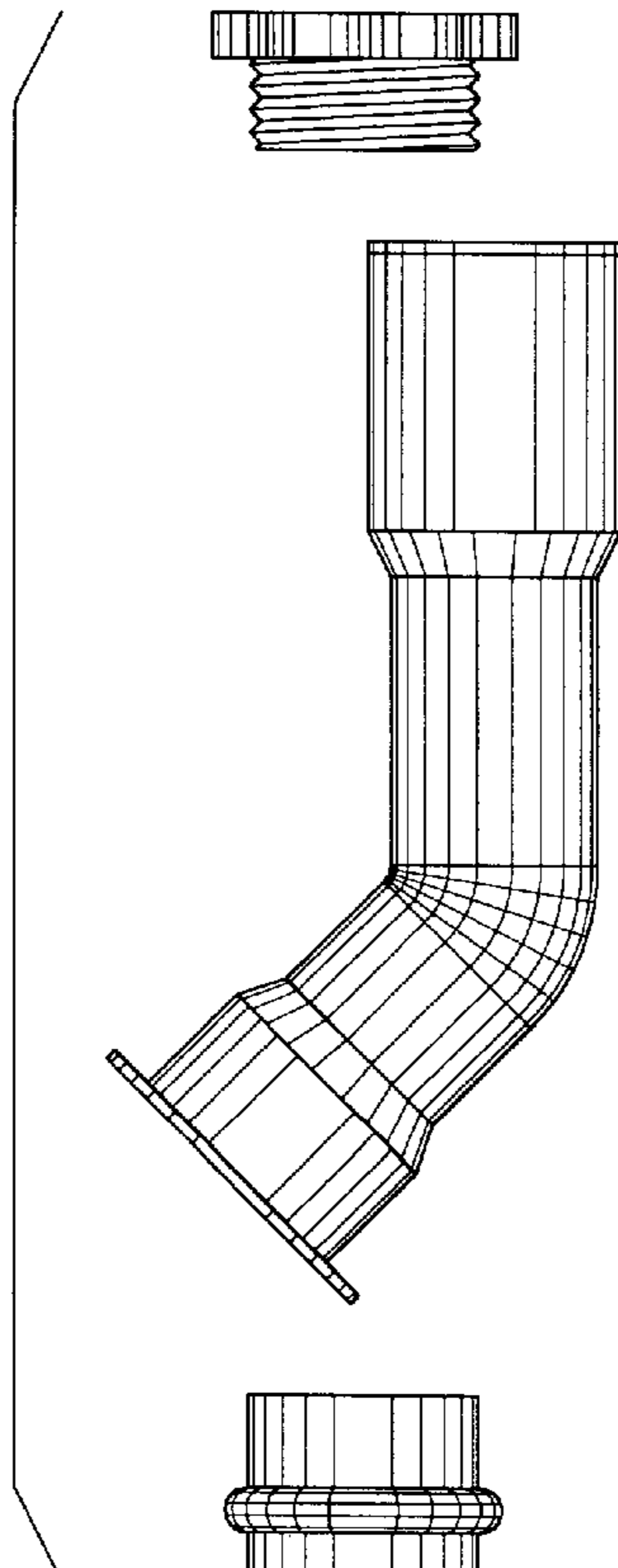


Fig. 4

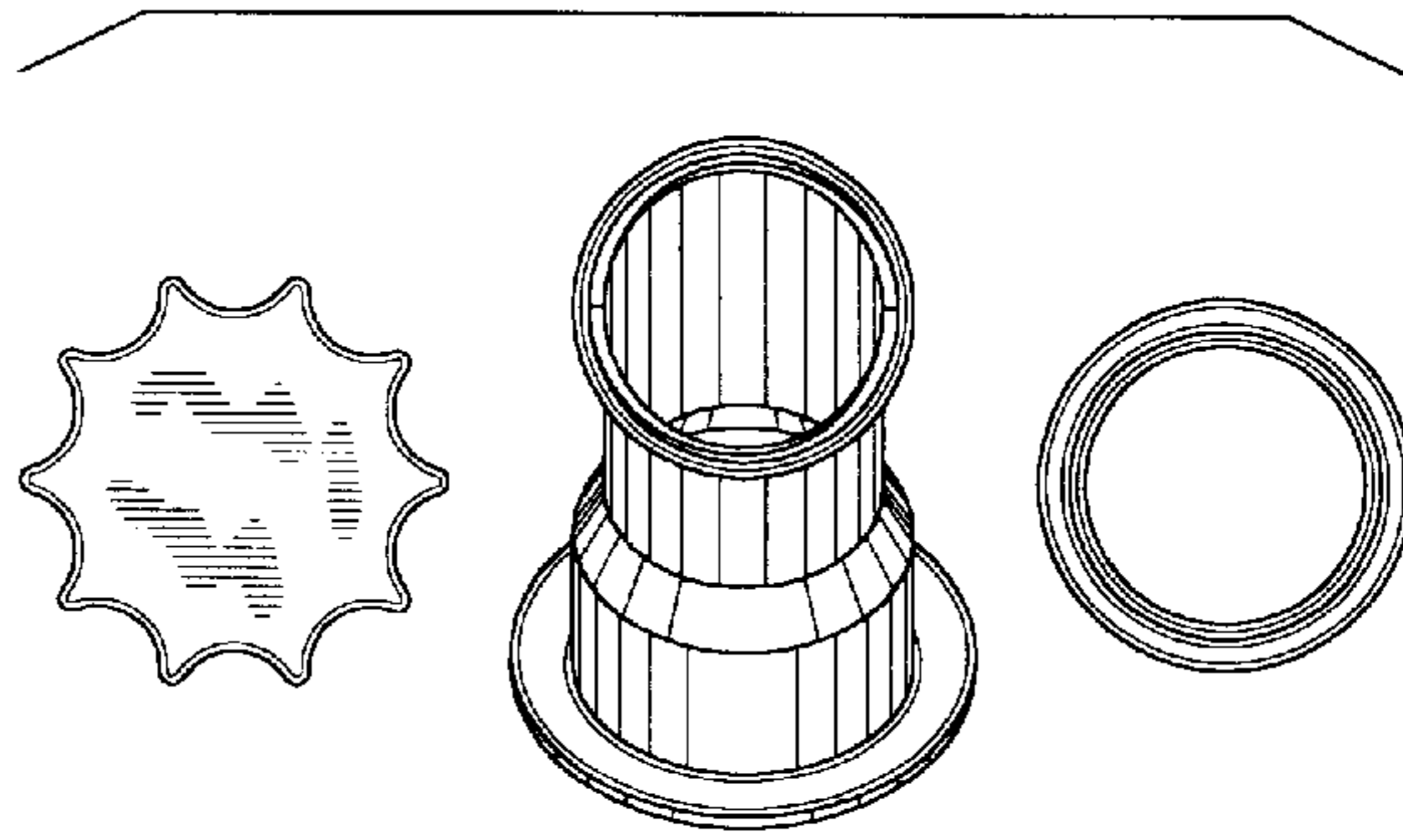


Fig. 5

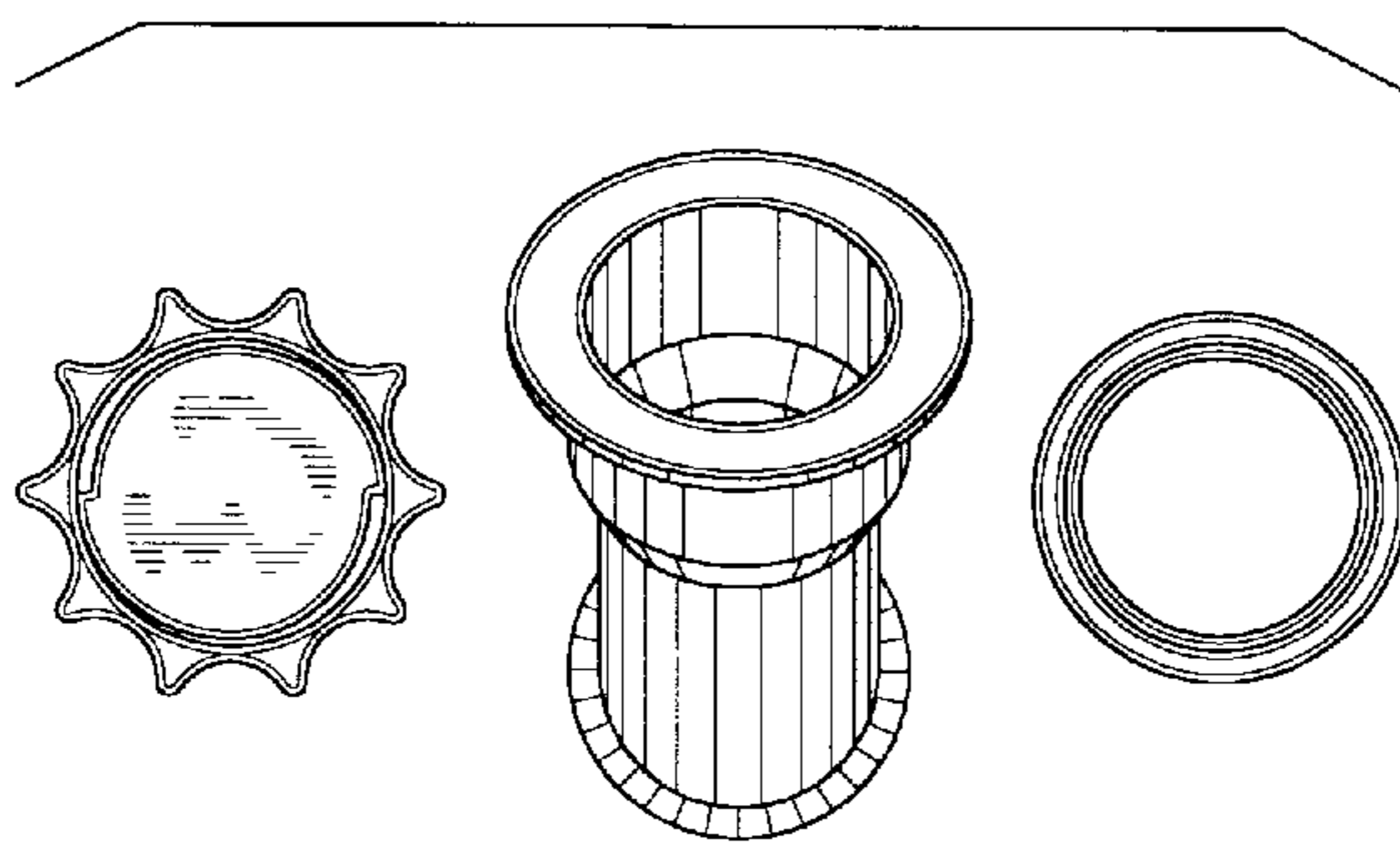


Fig. 6

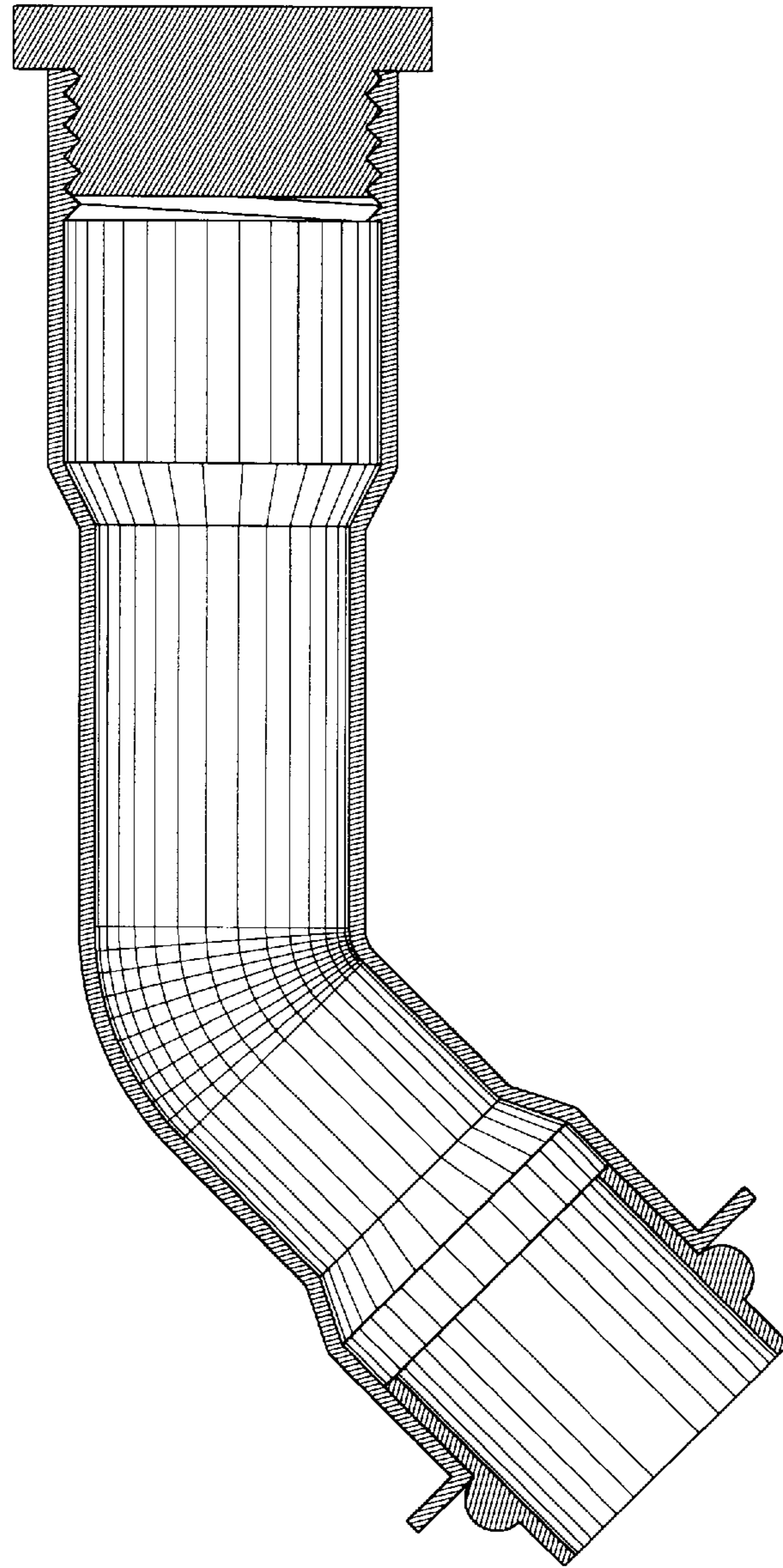


Fig. 7