

US00D407464S

**United States Patent** [19]  
**Oakes et al.**

[11] **Patent Number: Des. 407,464**  
[45] **Date of Patent: \*\*Mar. 30, 1999**

[54] **VALVE**

D. 359,103 6/1995 Bone et al. .... D23/233  
D. 394,700 5/1998 Emmins ..... D23/233

[75] Inventors: **Andrew Oakes**, Harrington Park, N.J.;  
**James R. Laskey**, Chestertown, Md.;  
**Nicholae Dumitrescu**, Stamford, Conn.;  
**Chris Robinson**, Lawrenceville;  
**Robert L. Berger**, Bound Brook, both  
of N.J.; **Randolph Bradshaw**,  
Brewster, N.Y.

*Primary Examiner*—Alan P. Douglas  
*Assistant Examiner*—Robin V. Taylor  
*Attorney, Agent, or Firm*—Andrew L. Klawitter; Rodman &  
Rodman

[73] Assignee: **Bayer Corporation**, Tarrytown, N.Y.

[57] **CLAIM**

The ornamental design for a valve, as shown and described.

[\*\*] Term: **14 Years**

**DESCRIPTION**

[21] Appl. No.: **80,267**

FIG. 1 is a front perspective view of a valve showing our  
new design;

[22] Filed: **Dec. 5, 1997**

FIG. 2 is a right side elevational view thereof;

[51] **LOC (6) Cl.** ..... **23-01**

FIG. 3 is a left side elevational view thereof;

[52] **U.S. Cl.** ..... **D23/233**

FIG. 4 is a front view thereof;

[58] **Field of Search** ..... D23/233–235,  
D23/244–245; 137/38; 251/188, 315.8

FIG. 5 is a top plan view thereof;

FIG. 6 is a rear-end view thereof; and,

FIG. 7 is a bottom plan view thereof.

[56] **References Cited**

**U.S. PATENT DOCUMENTS**

D. 351,897 10/1994 Keeslar ..... D23/233

**1 Claim, 3 Drawing Sheets**

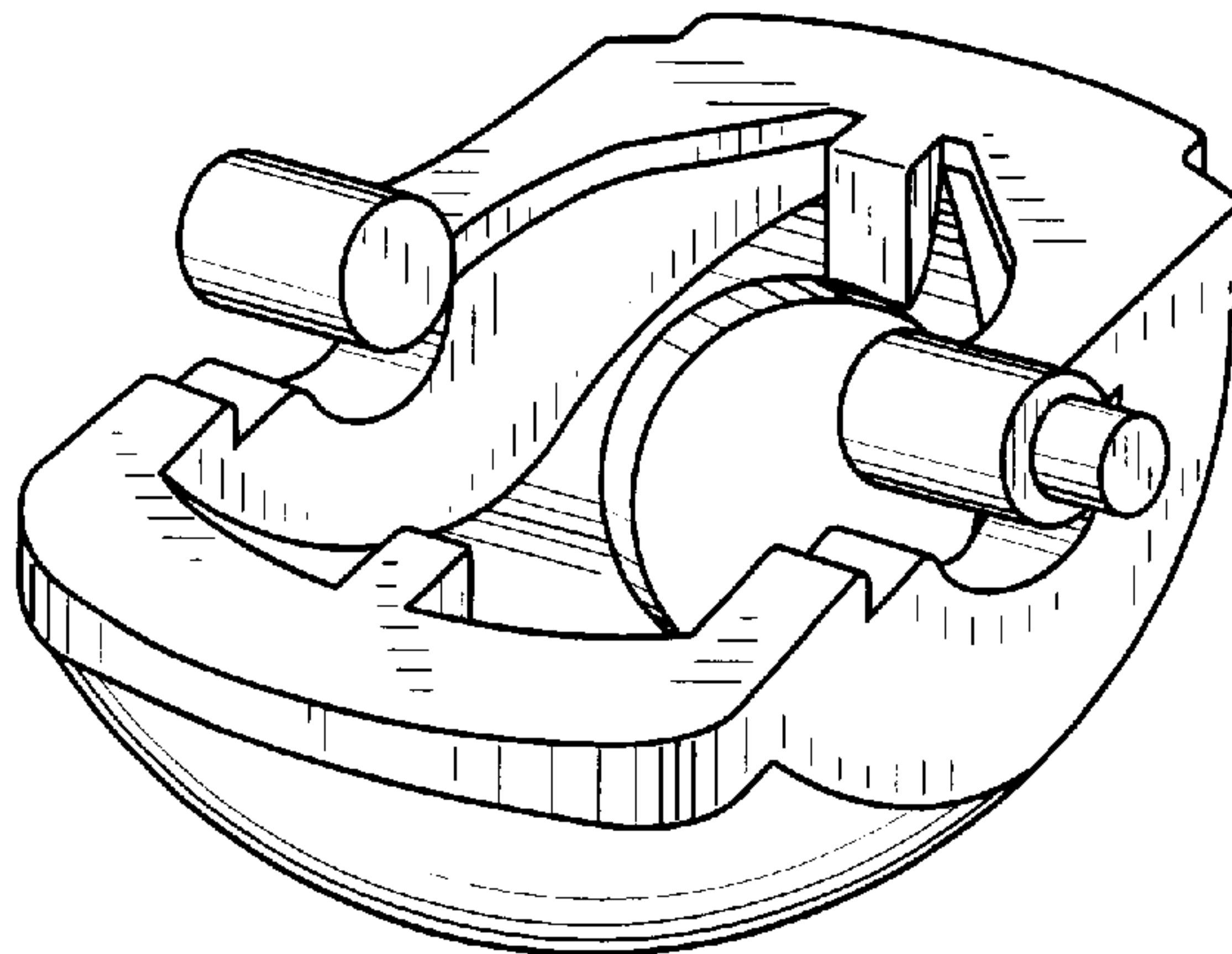


FIG. 1

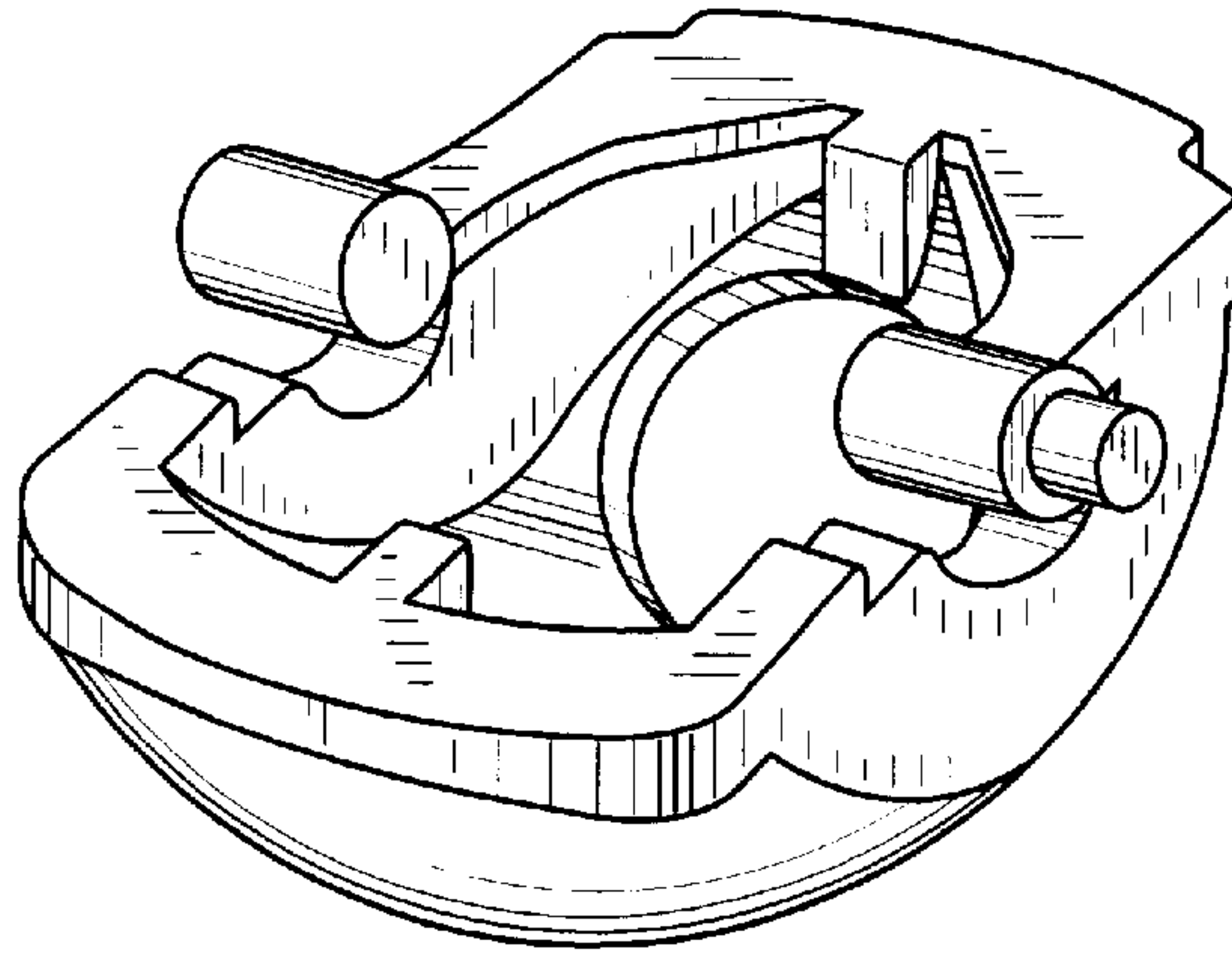


FIG. 2

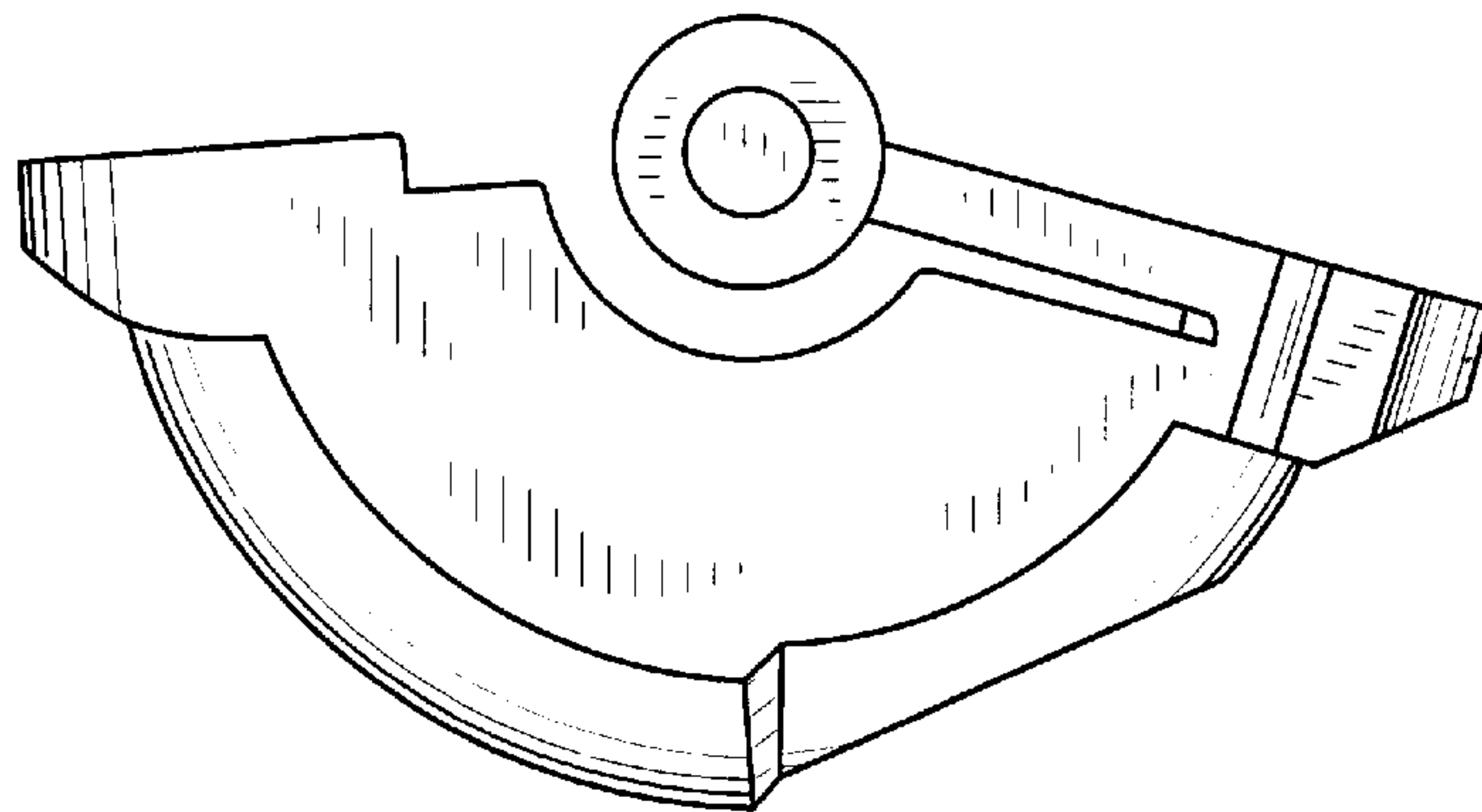
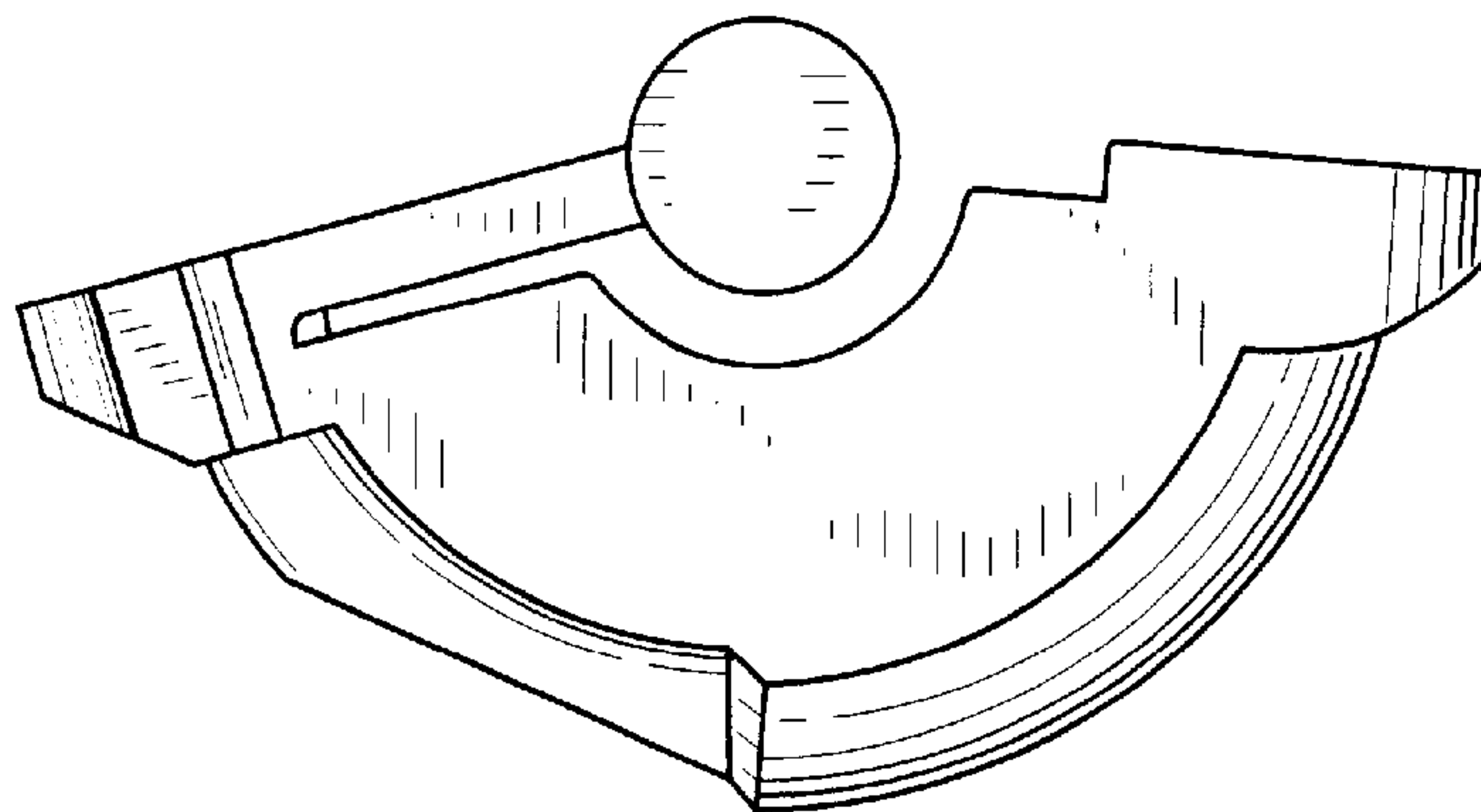
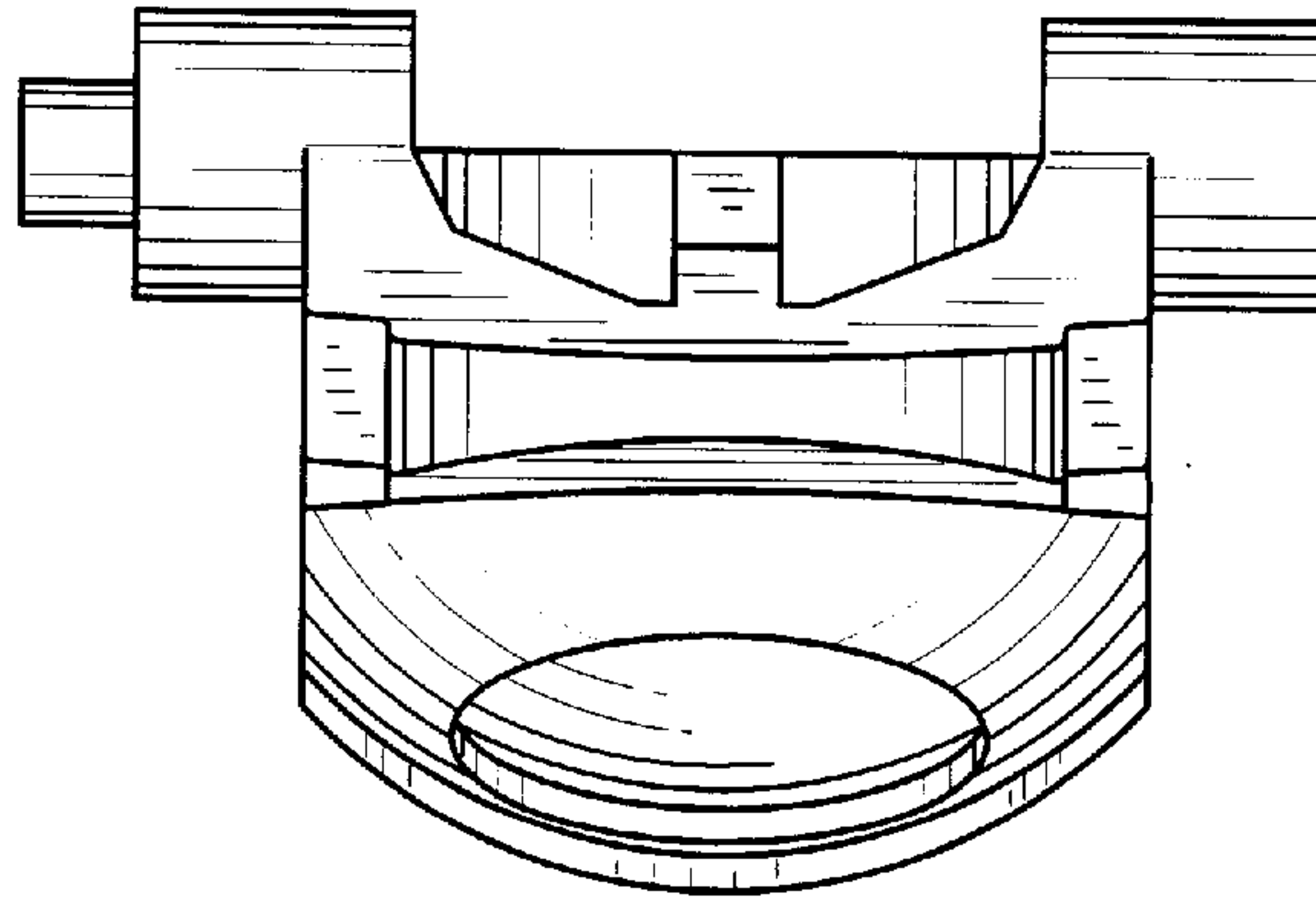


FIG. 3



**FIG. 4**



**FIG. 5**

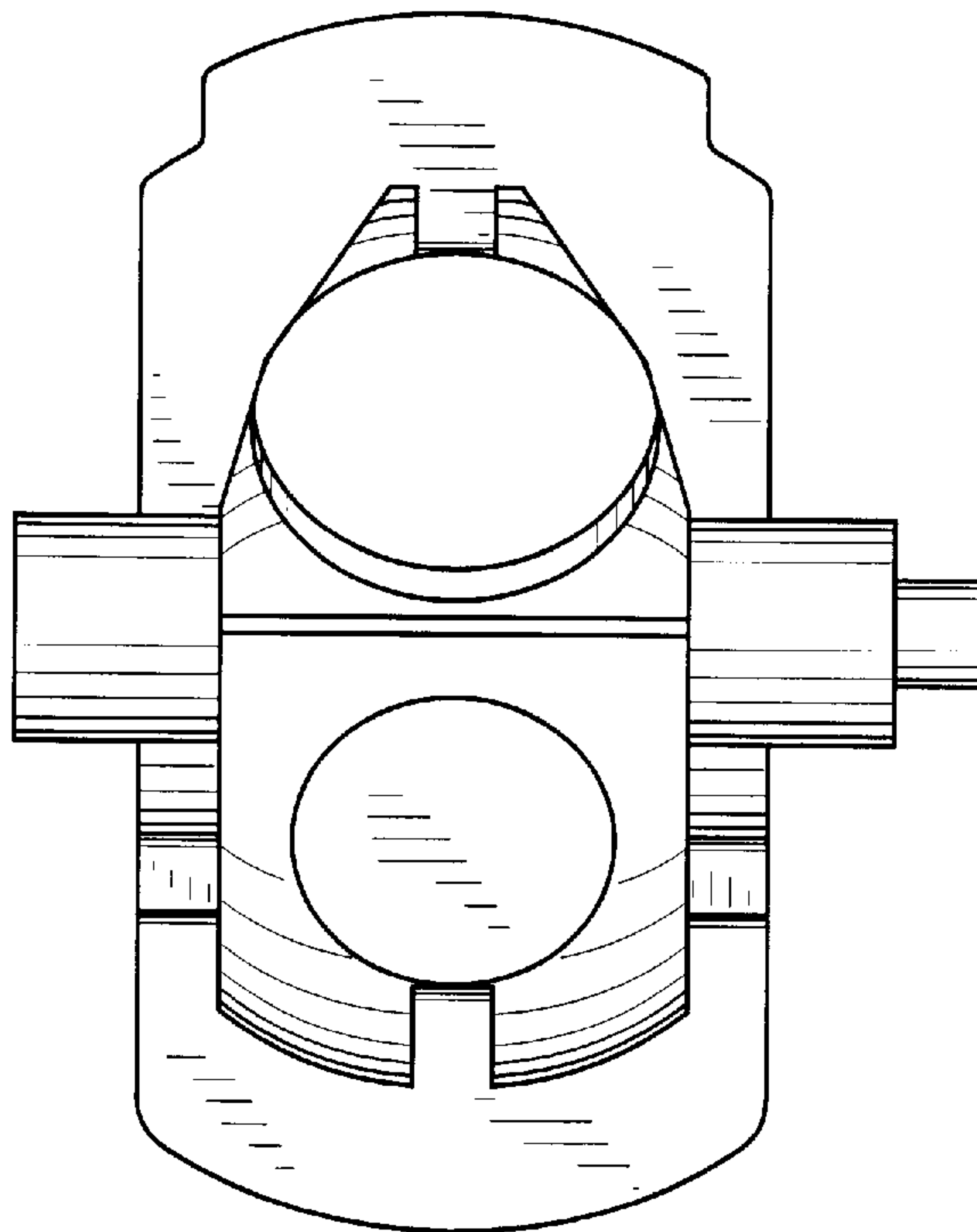


FIG. 6

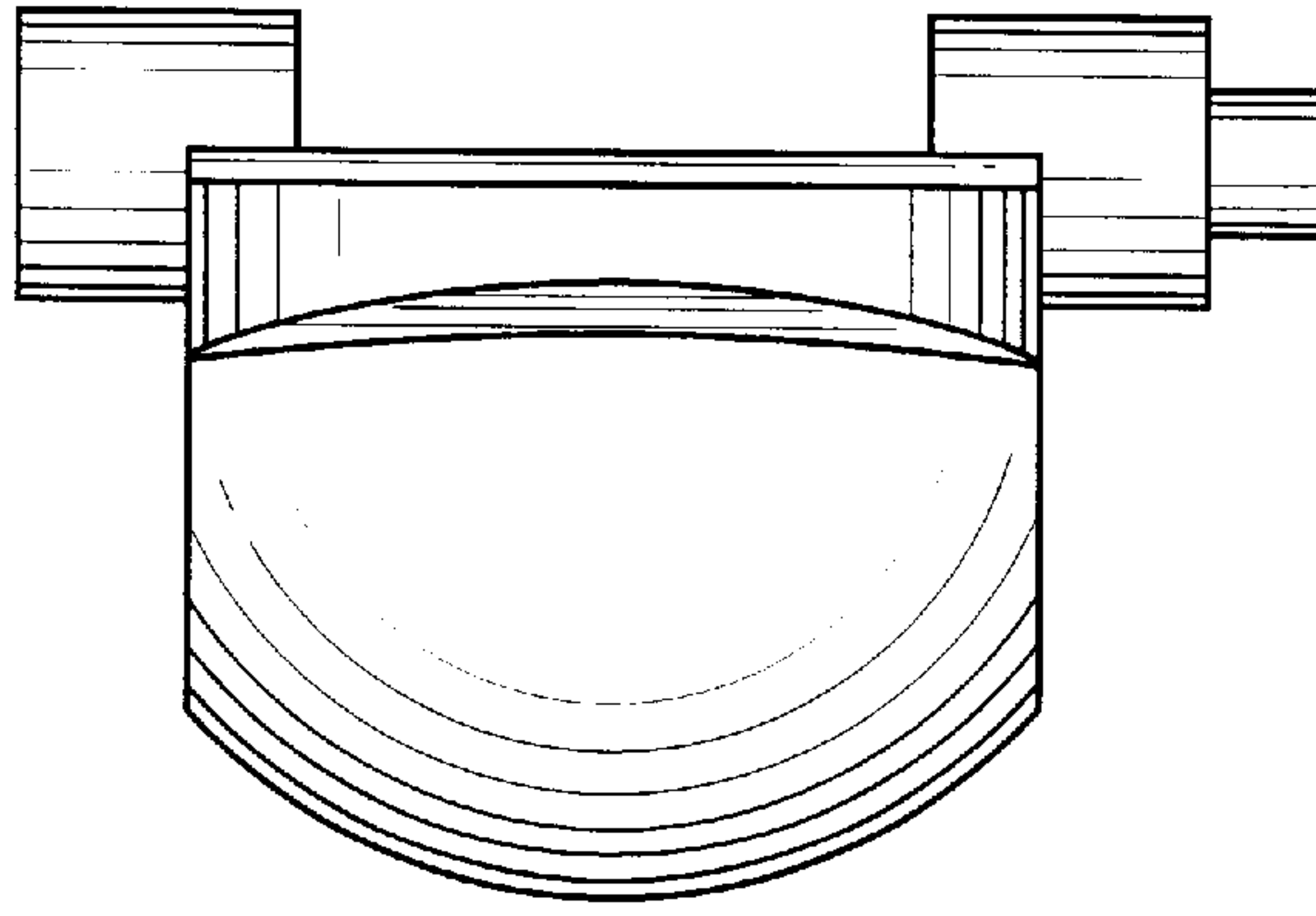


FIG. 7

