

US00D407457S

United States Patent [19]
Garcia

[11] **Patent Number: Des. 407,457**

[45] **Date of Patent: **Mar. 30, 1999**

[54] **COMBINED SKI POLE AND FLASK**

4,641,857 2/1987 Gailunas 280/821
5,058,923 10/1991 Dale 280/821
5,538,285 7/1996 Goode 280/819

[76] Inventor: **Ray E Garcia**, 8371 Fox Hills Ave.,
Buena Park, Calif. 90621

[**] Term: **14 Years**

Primary Examiner—Kay H. Chin

[21] Appl. No.: **89,921**

[57] **CLAIM**

[22] Filed: **Jun. 26, 1998**

The ornamental design for a combined ski pole and flask, as shown and described.

[51] **LOC (6) Cl.** **21-02**

DESCRIPTION

[52] **U.S. Cl.** **D21/775; D21/771**

FIG. 1 is a front elevational view of a combined ski pole and flask showing my new design;
FIG. 2 is a rear elevational view thereof;
FIG. 3 is a left side elevational view thereof;
FIG. 4 is a right side elevational view thereof;
FIG. 5 is a top plan view thereof;
FIG. 6 is a bottom plan view thereof; and,
FIG. 7 is a fragmentary portion of the ski pole in an exploded view.

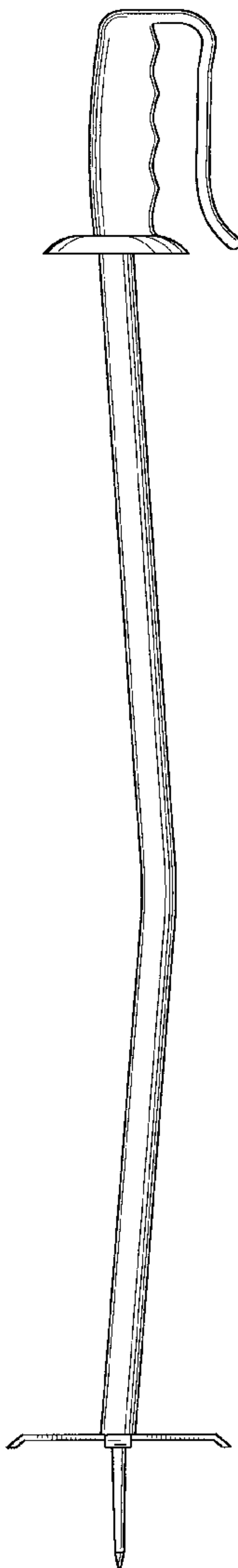
[58] **Field of Search** D21/771, 772,
D21/773, 775, 776; 280/819, 820, 821,
822, 823

[56] **References Cited**

U.S. PATENT DOCUMENTS

D. 258,229 2/1981 Marker D21/230
D. 327,110 6/1992 Delery D21/230
3,880,443 4/1975 Tobin 280/821

1 Claim, 3 Drawing Sheets



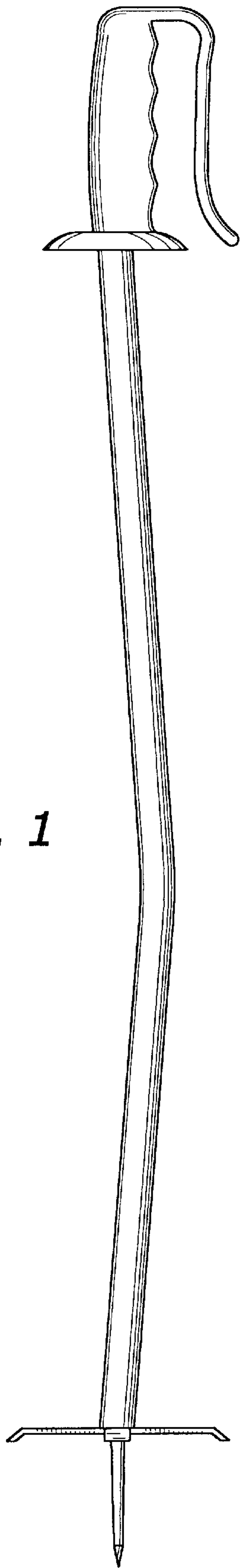


FIG. 1

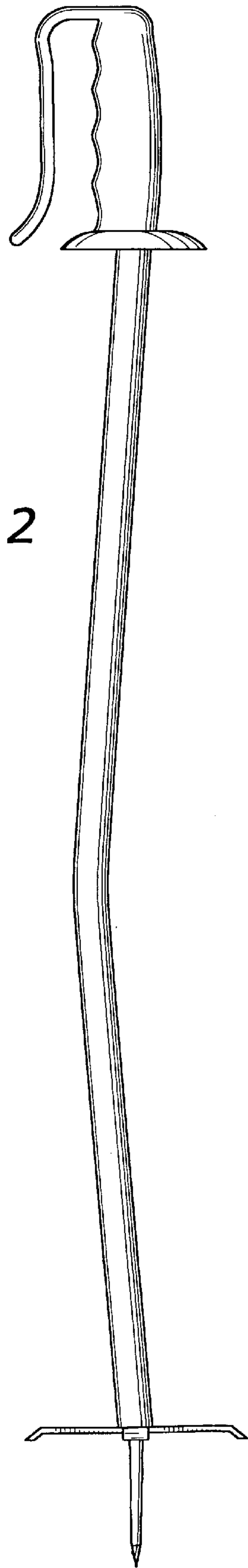


FIG. 2

FIG. 3

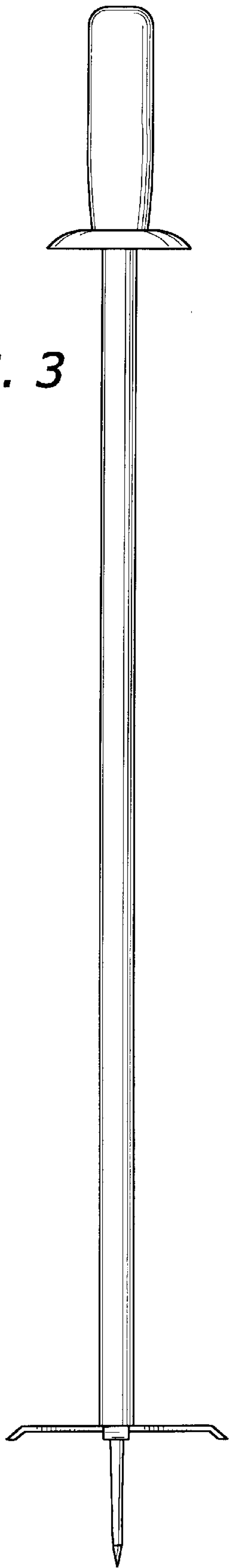


FIG. 4

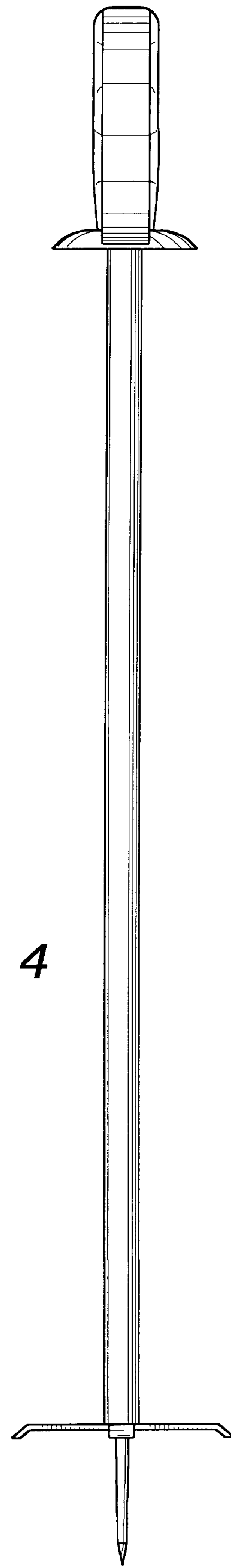


FIG. 5

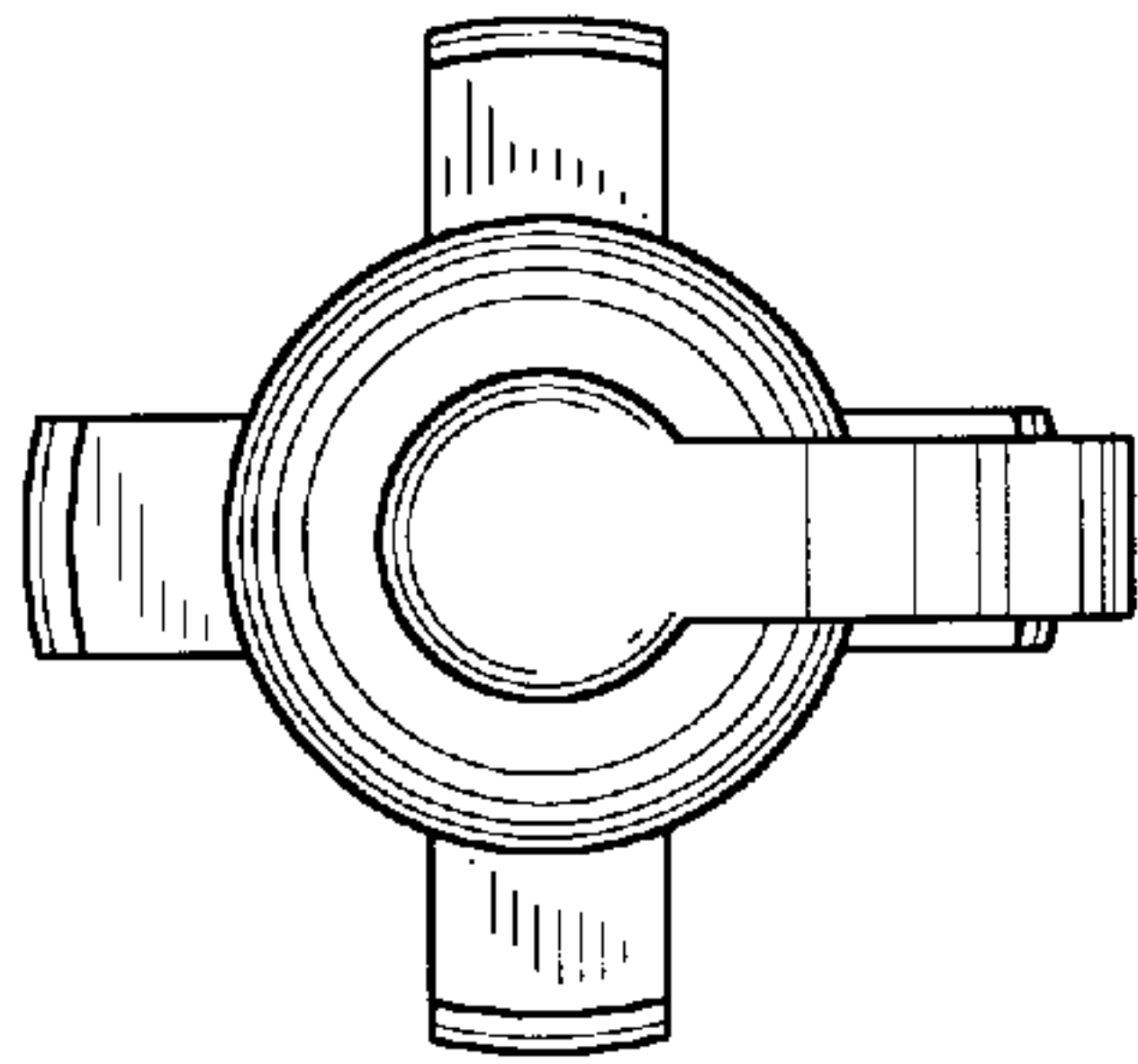


FIG. 6

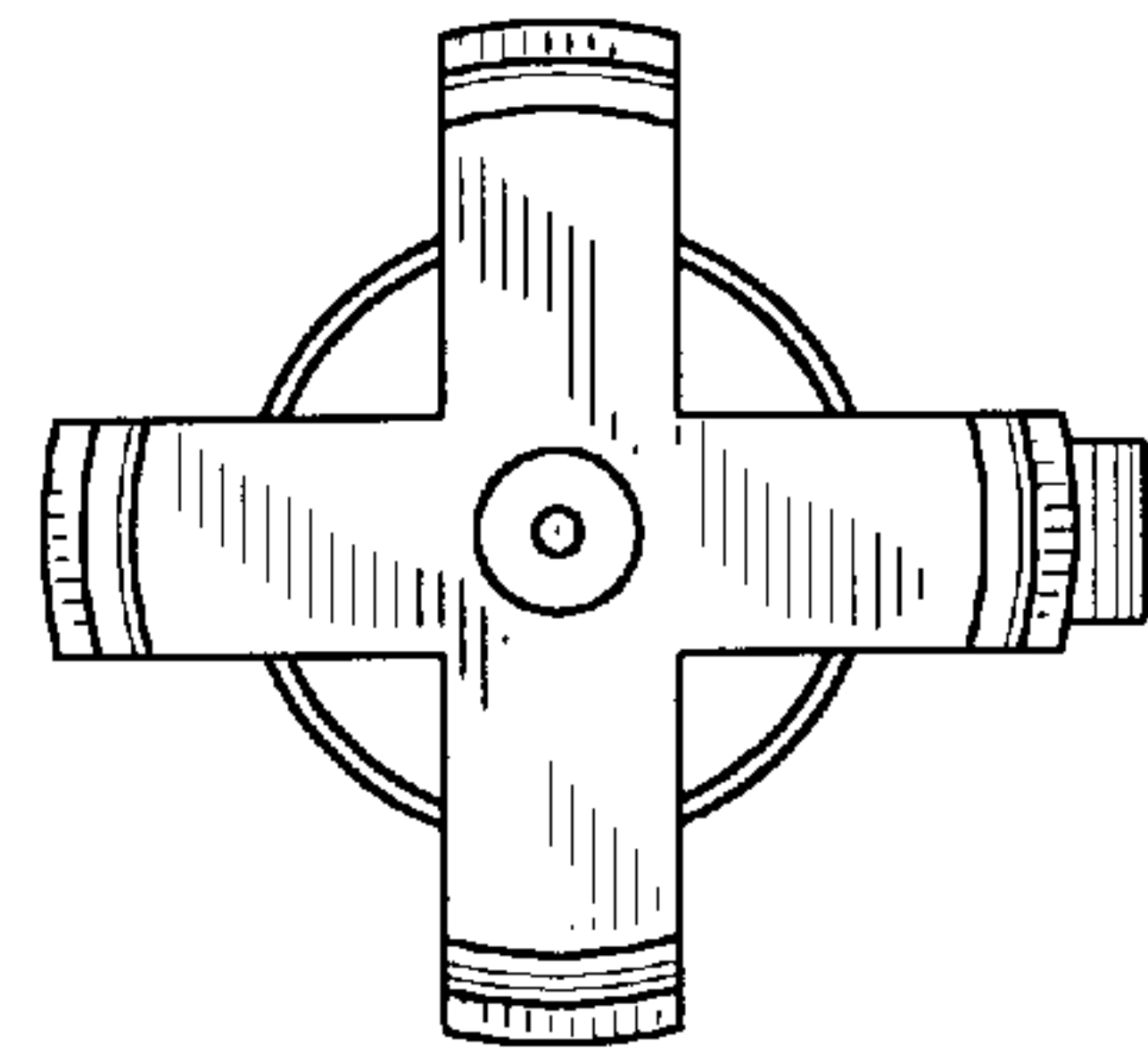


FIG. 7

