



US00D407454S

United States Patent [19] Terry

[11] **Patent Number: Des. 407,454**

[45] **Date of Patent: **Mar. 30, 1999**

[54] **GOLF PUTTER HEAD**

[76] Inventor: **Brian J. Terry**, 1003 Forest Trail,
Jacksonville, Tex. 75766

[**] Term: **14 Years**

[21] Appl. No.: **86,823**

[22] Filed: **Apr. 21, 1998**

[51] **LOC (6) Cl. 21-02**

[52] **U.S. Cl. D21/738**

[58] **Field of Search D21/736-746;**
473/251-256, 340, 341

[56] **References Cited**

U.S. PATENT DOCUMENTS

D. 256,262	8/1980	Benson	D21/745
D. 279,497	7/1985	Brown	D21/746
D. 379,484	5/1997	Solheim	D21/745
D. 388,143	12/1997	Huan-Chiang	D21/745

OTHER PUBLICATIONS

Edwin Watts Catalog; p. 8; Roho putter, right center of page,
May, 1996.

Primary Examiner—Ted Shooman
Assistant Examiner—Mitchell I. Siegel

Attorney, Agent, or Firm—Ronald B. Sefrna

[57] **CLAIM**

I claim the ornamental design for a golf putter head, as shown and described.

DESCRIPTION

FIG. 1 is a front elevation view of the invention, showing my new design;

FIG. 2 is a top plan view of the golf putter head of the invention;

FIG. 3 is a rear elevation view of the golf putter head of the invention;

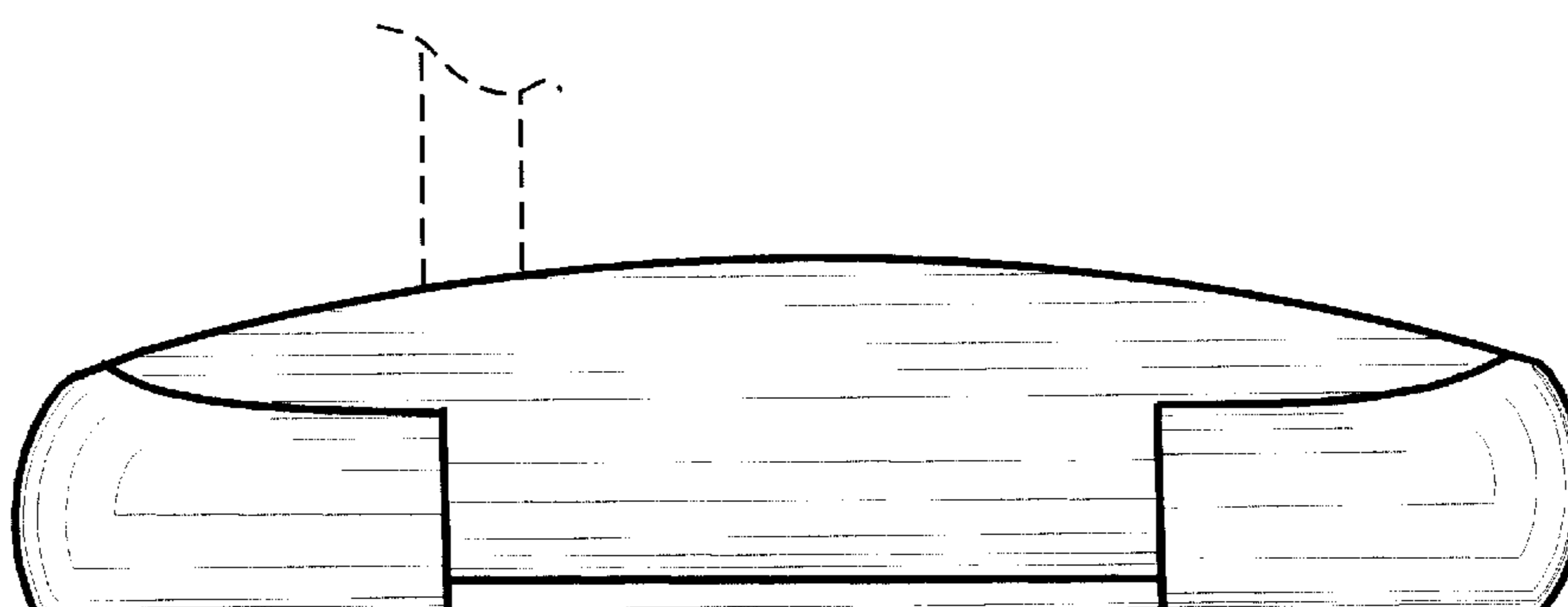
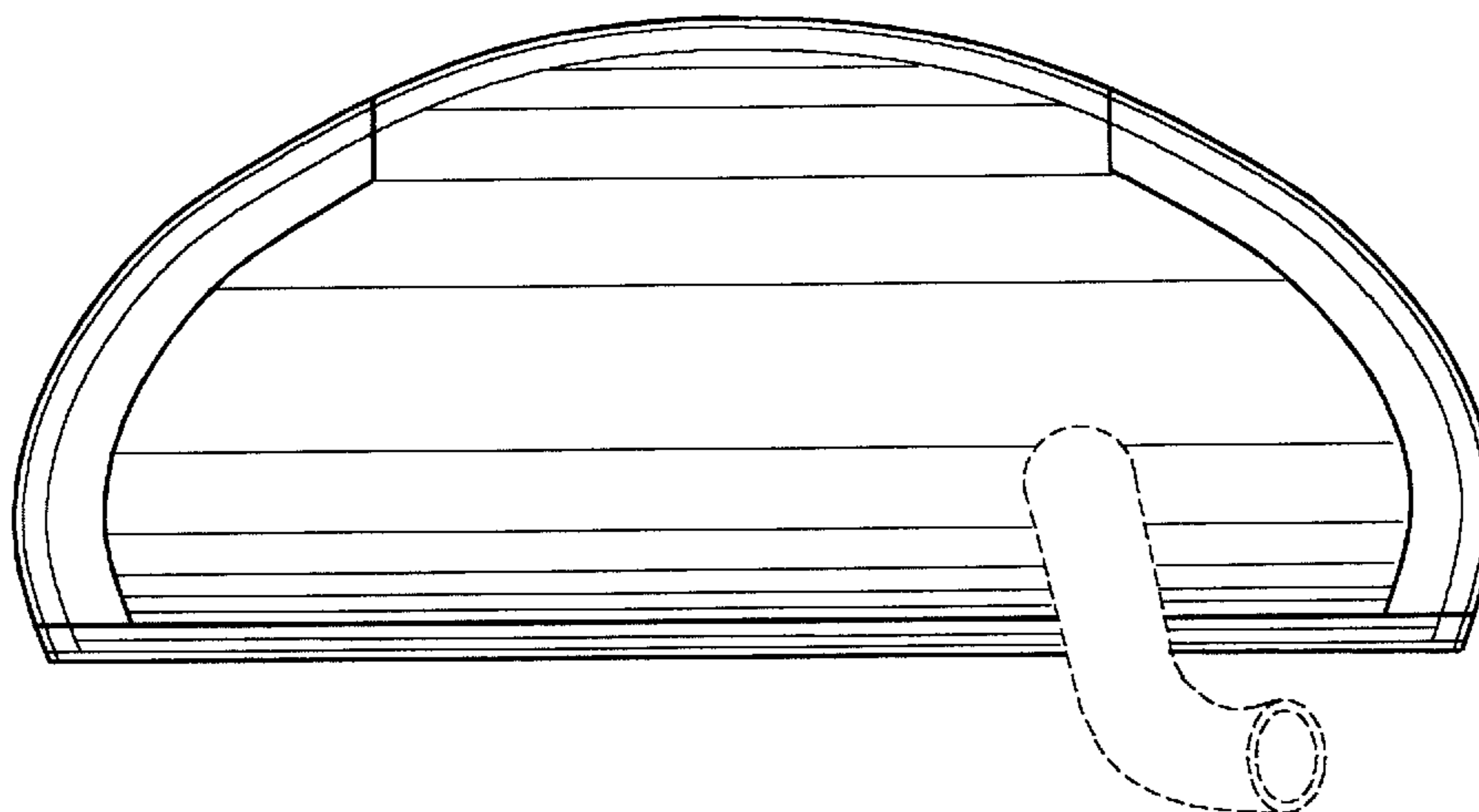
FIG. 4 is a left side elevation view of the golf putter head of the invention;

FIG. 5 is a right side elevation view of the golf putter head of the invention; and,

FIG. 6 is a bottom plan view of the golf putter head of the invention.

The portion of the golf club handle shaft shown in dashed lines in FIGS. 1 through 5 is not a part of the claimed design and is shown for context and orientation. The golf putter head of the invention is laterally symmetrical, with the left side and the right side being mirror images of each other.

1 Claim, 6 Drawing Sheets



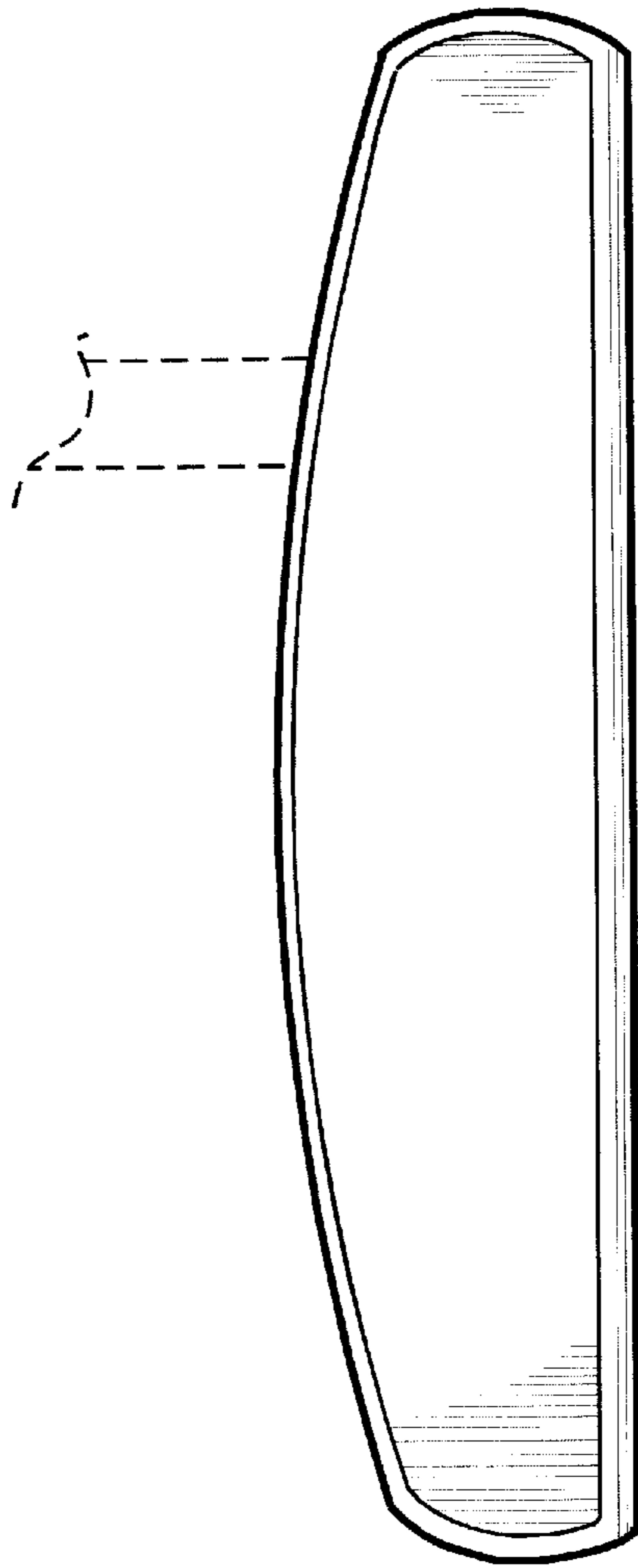


Figure 1

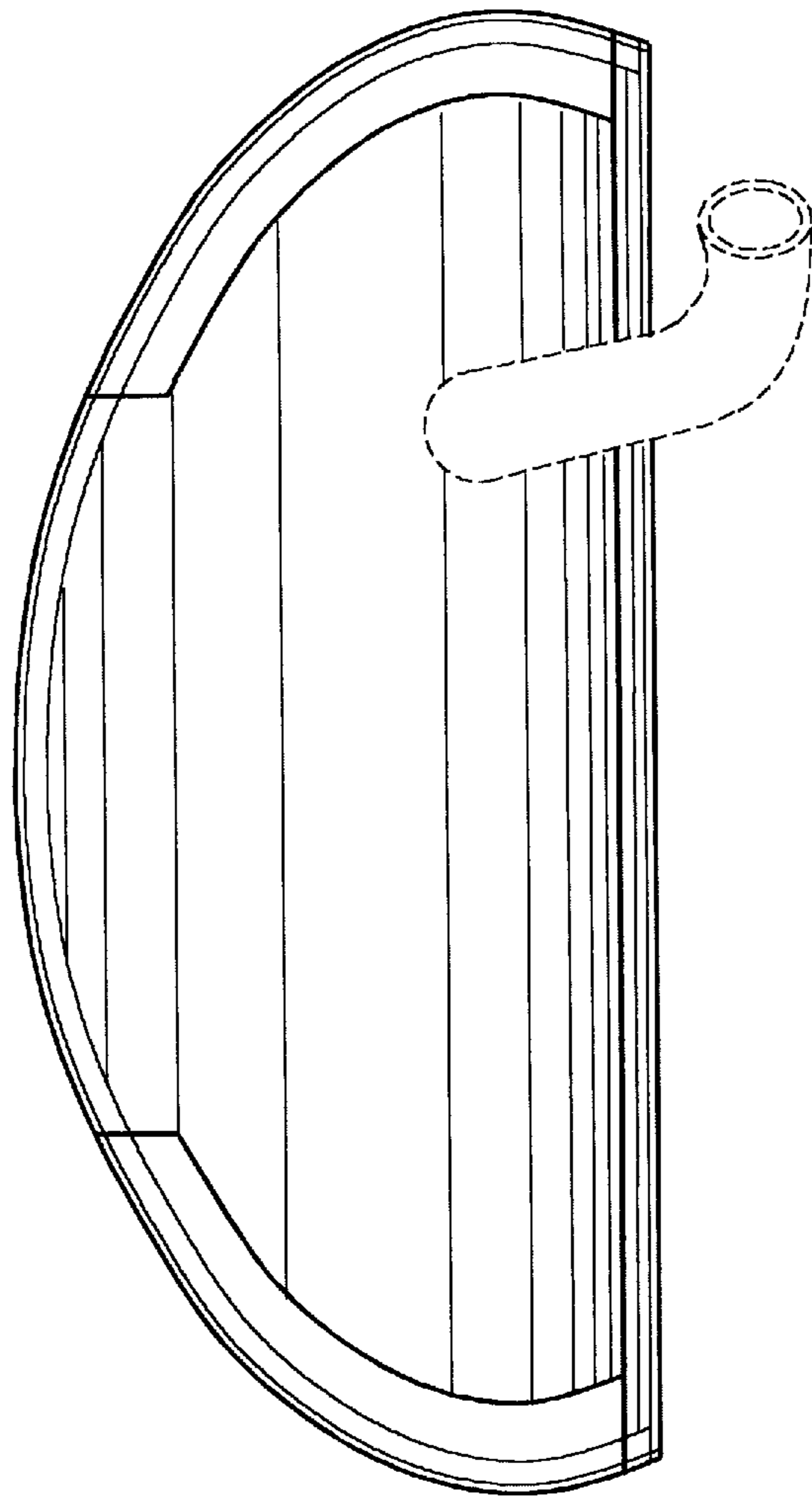


Figure 2

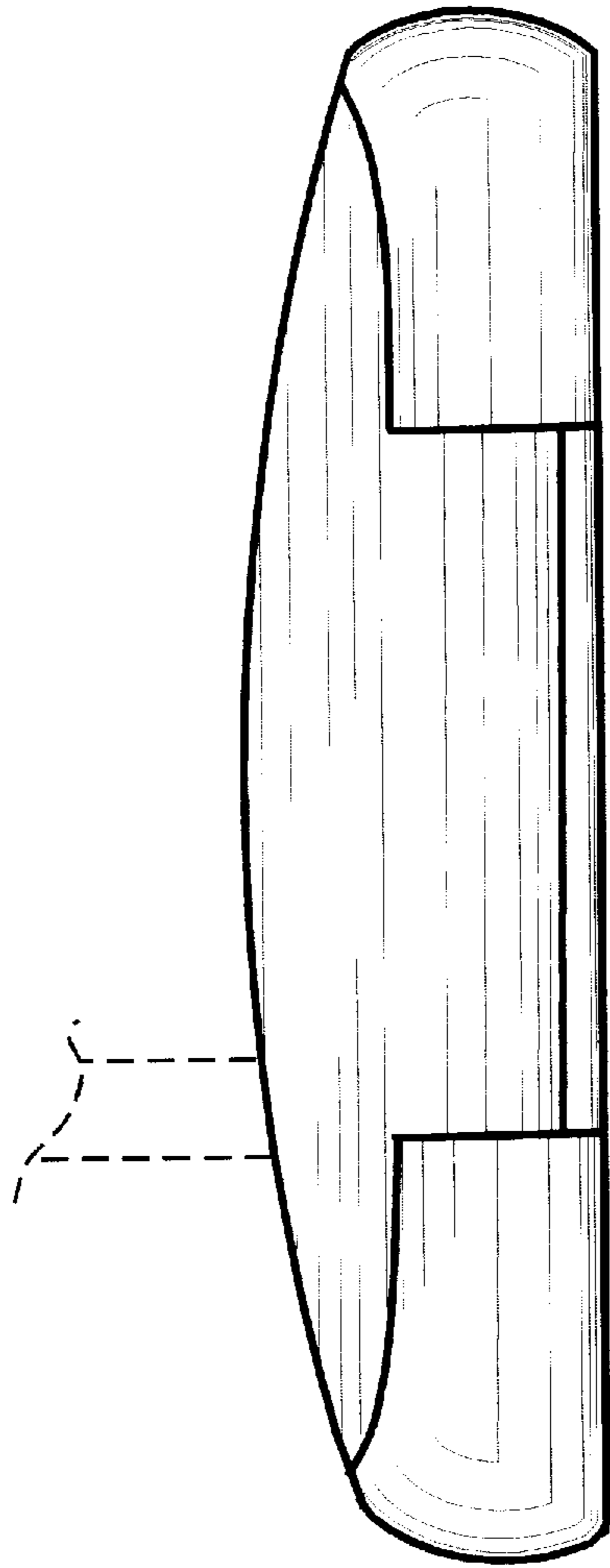


Figure 3



Figure 4



Figure 5

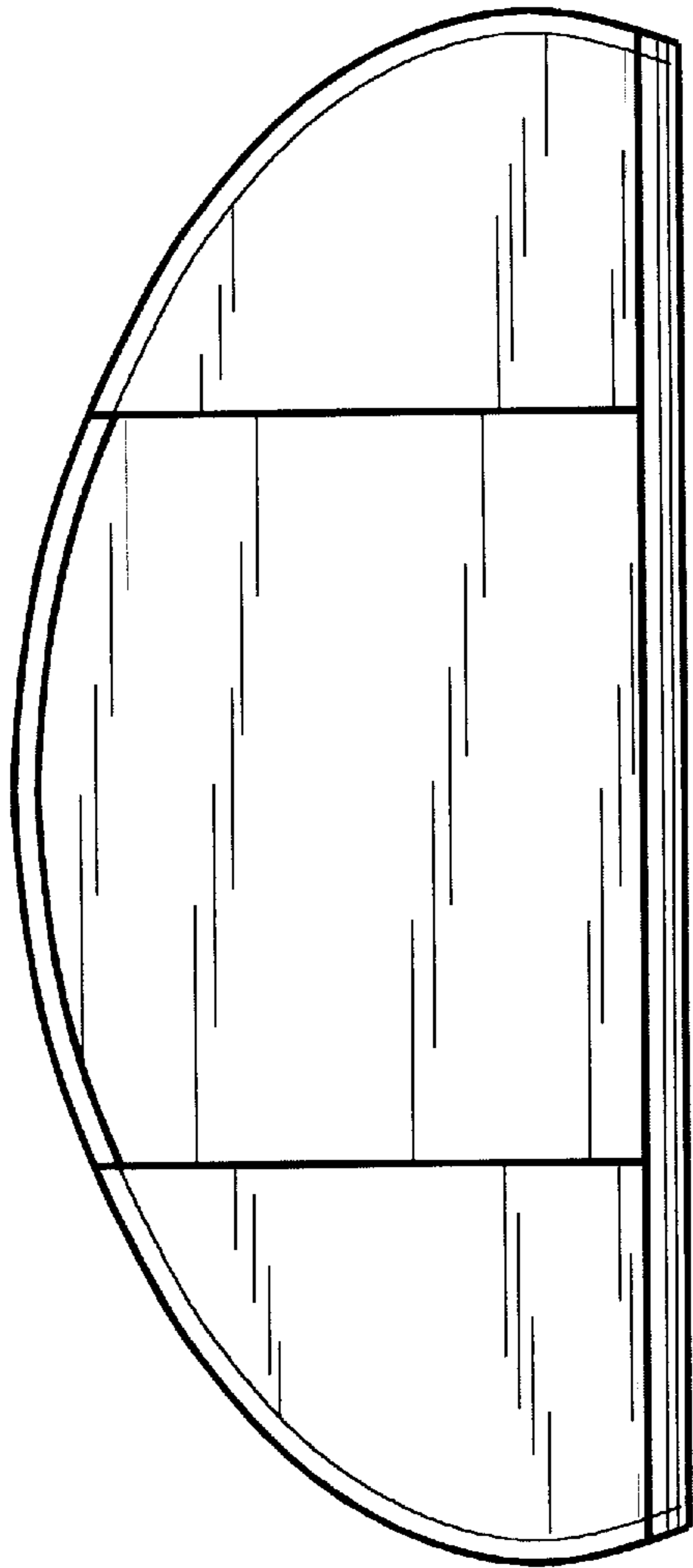


Figure 6