



US00D407452S

United States Patent [19]

Porter

[11] Patent Number: Des. 407,452

[45] Date of Patent: **Mar. 30, 1999

[54] **GOLF PUTTER HEAD WITH REMOVABLE PRACTICE MIRROR**

D. 365,864 1/1996 Strum D21/746
5,709,612 1/1998 Salado 473/240

[76] Inventor: **Frederick W. Porter**, 102 Timber Ct., Hot Springs, Ark. 71913

Primary Examiner—Ted Shooman
Assistant Examiner—Mitchell I. Sieger
Attorney, Agent, or Firm—Trent C. Keisling

[**] Term: **14 Years**

[57] **CLAIM**

[21] Appl. No.: **76,826**

The ornamental design for a golf putter head with removable practice mirror, as shown and described.

[22] Filed: **Sep. 17, 1997**

[51] **LOC (6) Cl.** **21-02**

[52] **U.S. Cl.** **D21/737**

[58] **Field of Search** D21/736-746;
473/251-256, 340, 341, 240

DESCRIPTION

[56] **References Cited**

U.S. PATENT DOCUMENTS

D. 233,535	11/1974	Karban	D21/737
D. 239,637	4/1976	Loggins	D21/737
D. 257,868	1/1981	Shelton	D21/737
D. 336,321	6/1993	Gerritzen	D21/737
D. 354,536	1/1995	Hazelton	D21/737

FIG. 1 is a front isometric view of my golf head putter with removable practice mirror;
FIG. 2 is a rear isometric view thereof;
FIG. 3 is a front elevational view;
FIG. 4 is a right elevational view;
FIG. 5 is a left elevational view;
FIG. 6 is a rear elevational view;
FIG. 7 is a top plan view; and,
FIG. 8 is a bottom plan view.

1 Claim, 3 Drawing Sheets

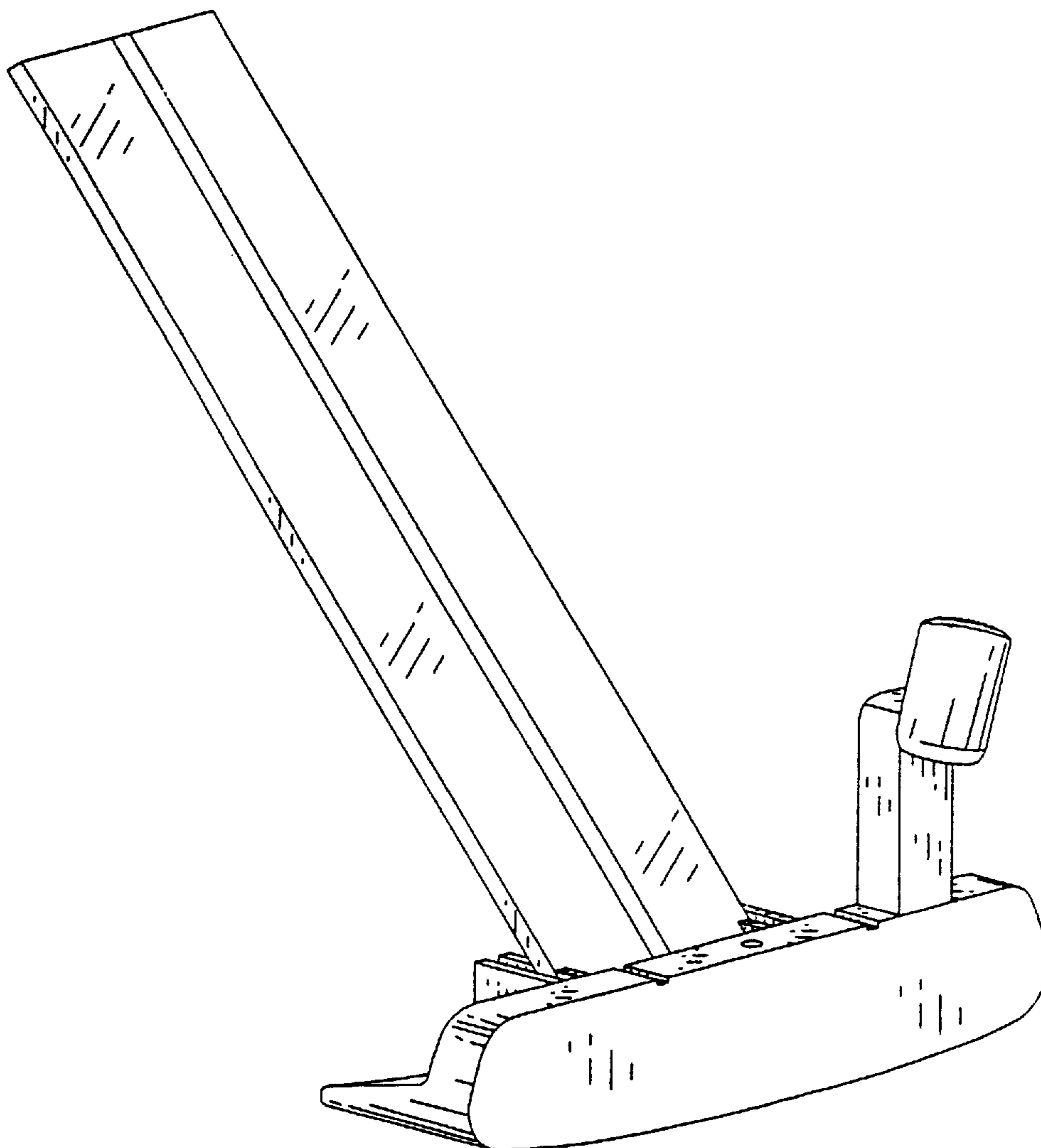


FIG. 1

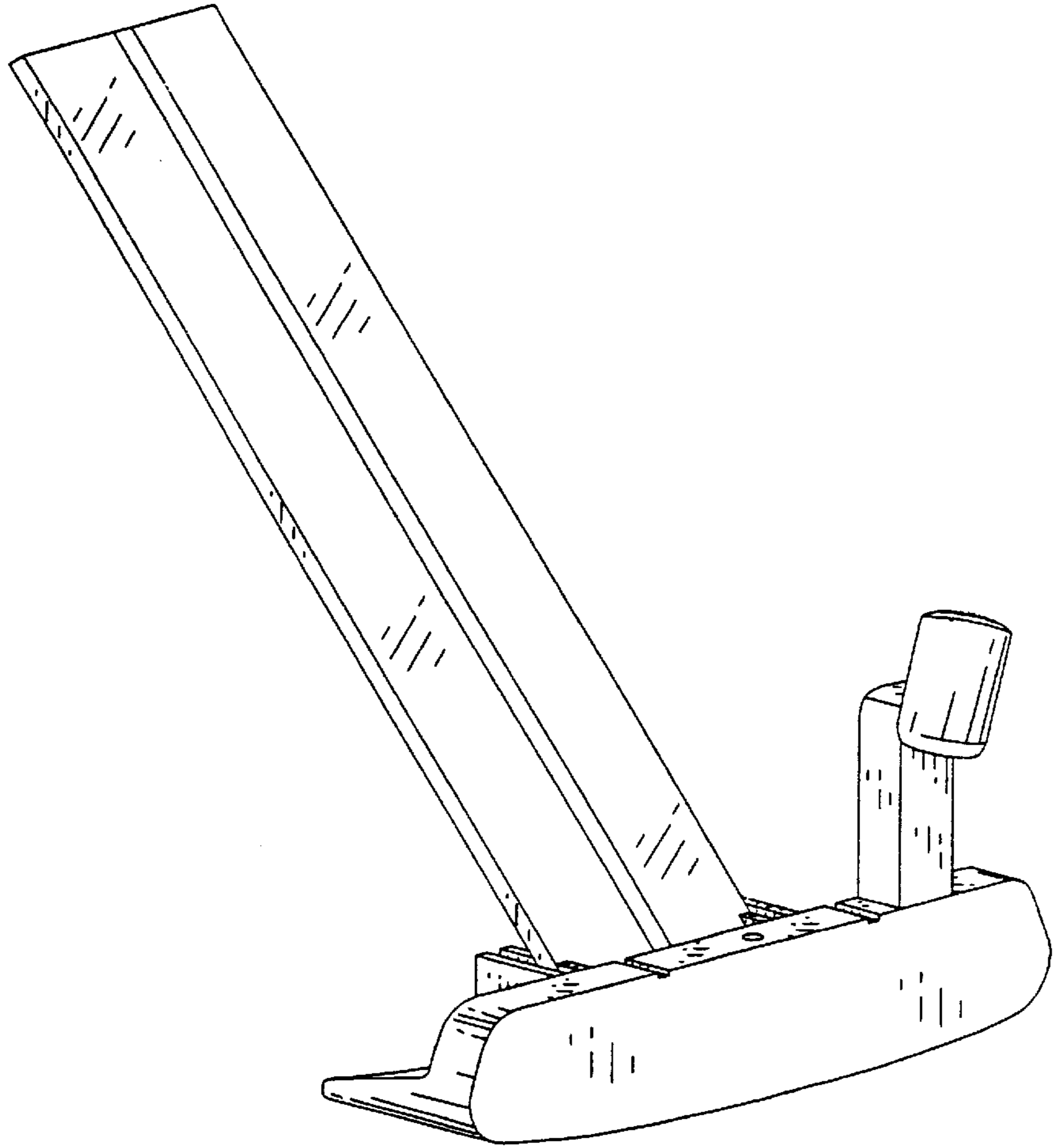


FIG. 2

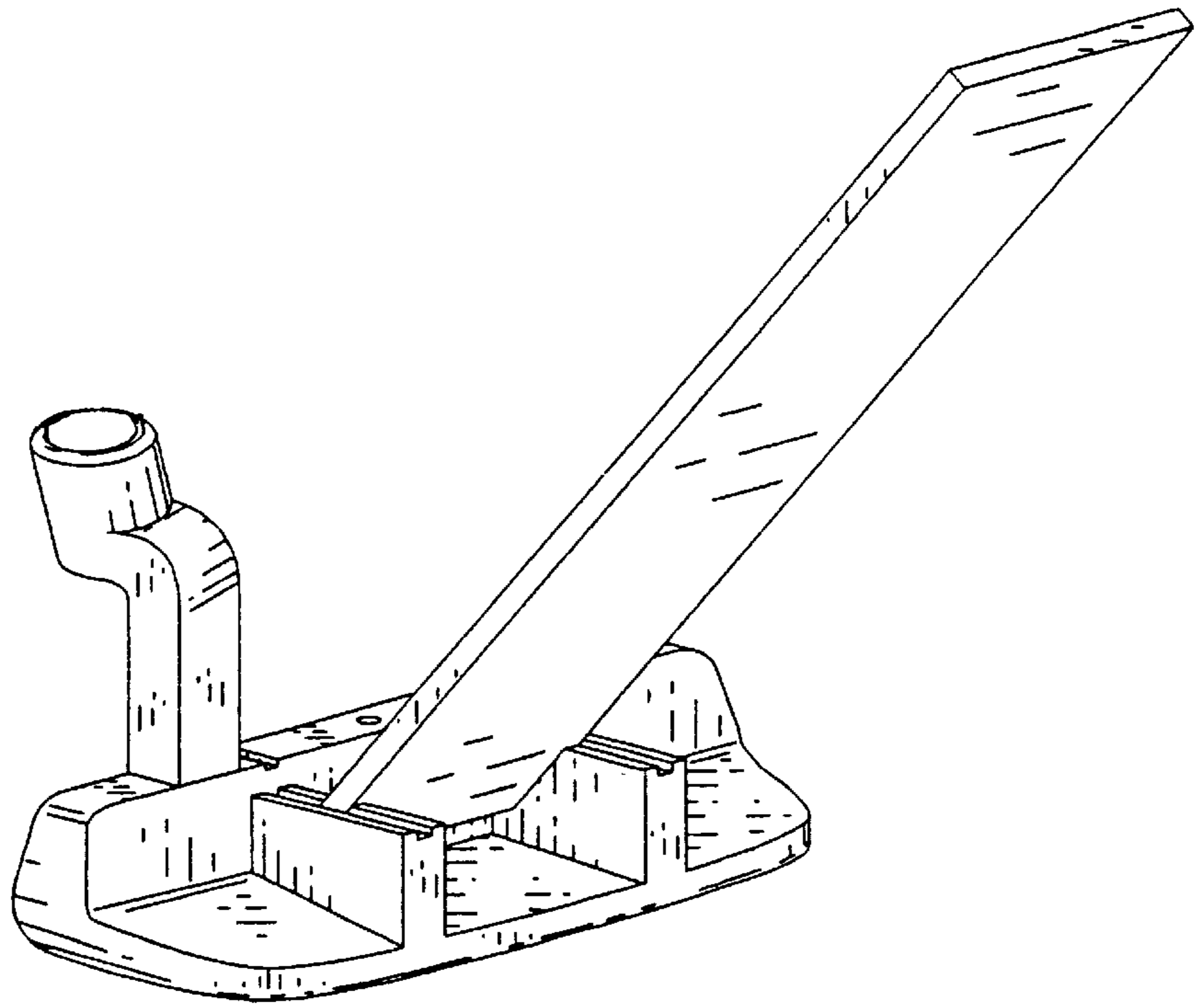


FIG. 3

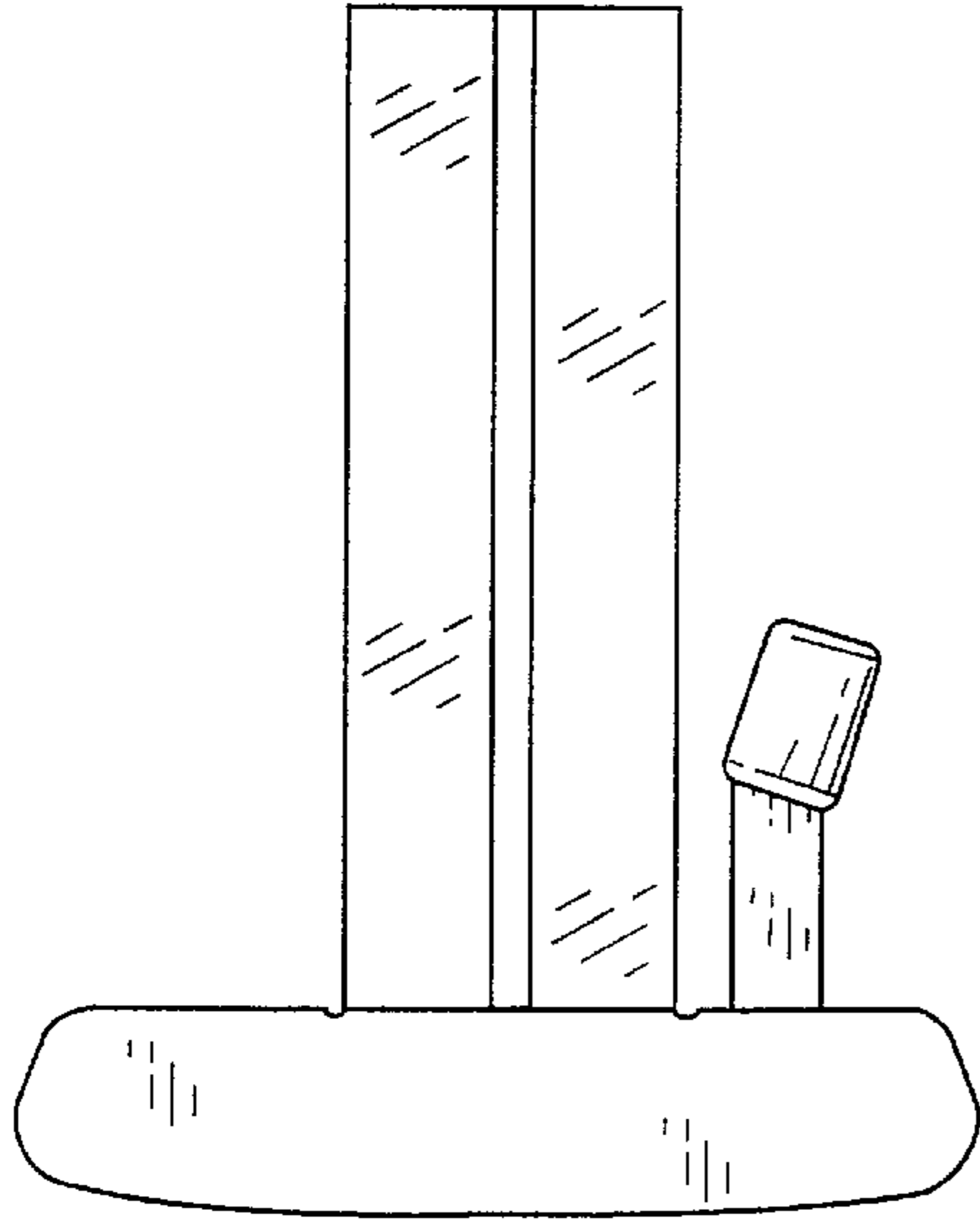


FIG. 4

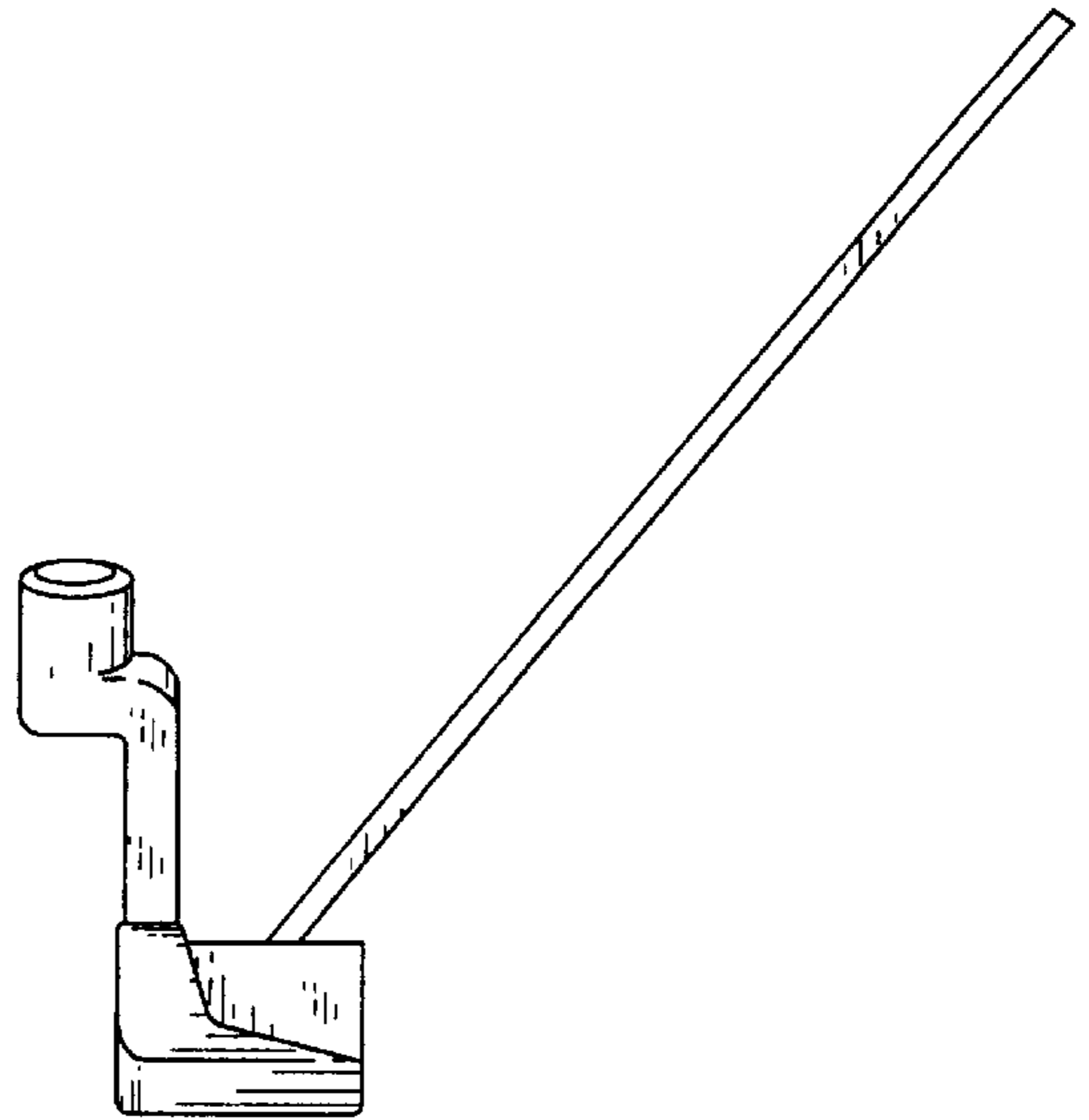


FIG. 5

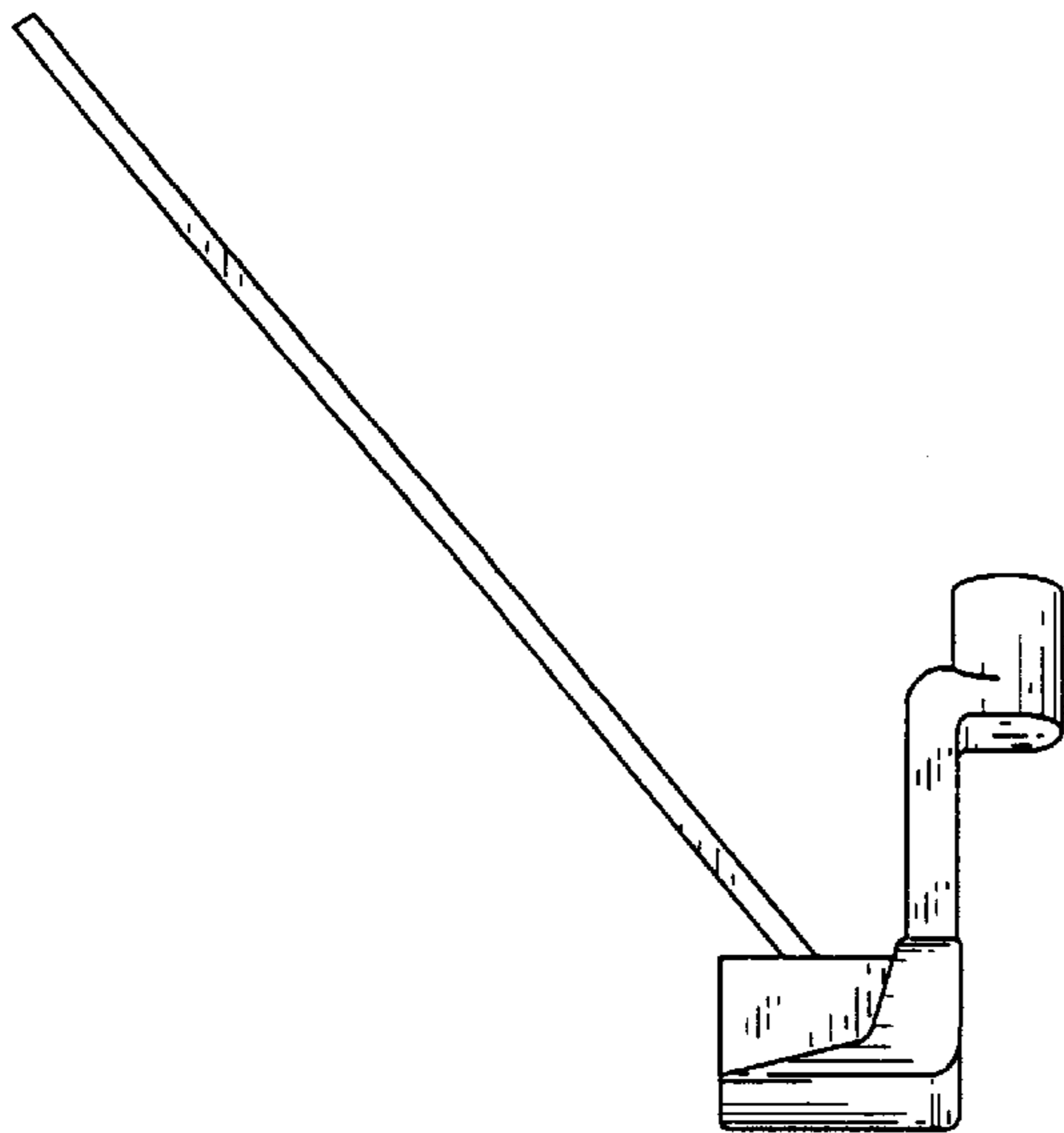


FIG. 6

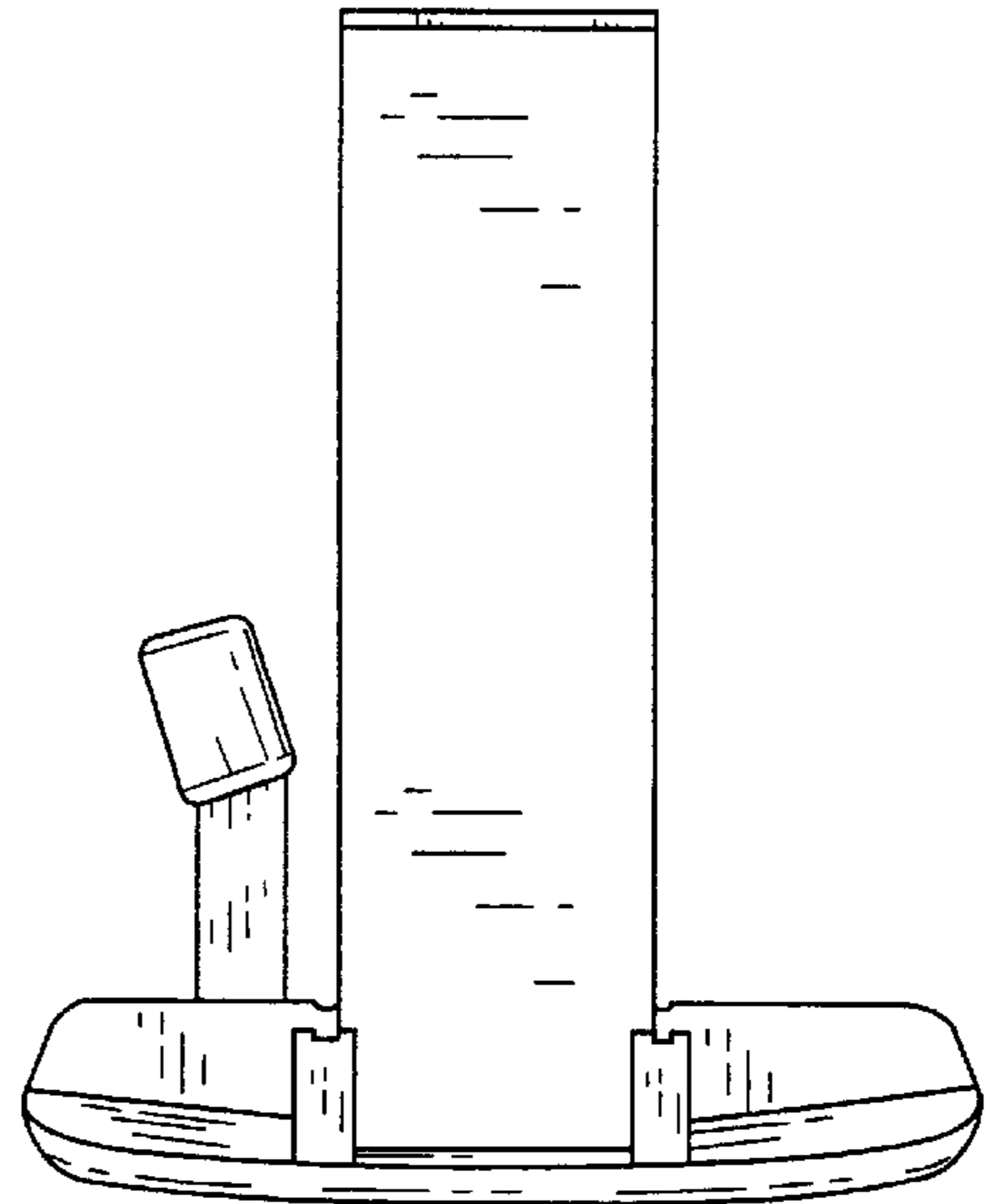


FIG. 7

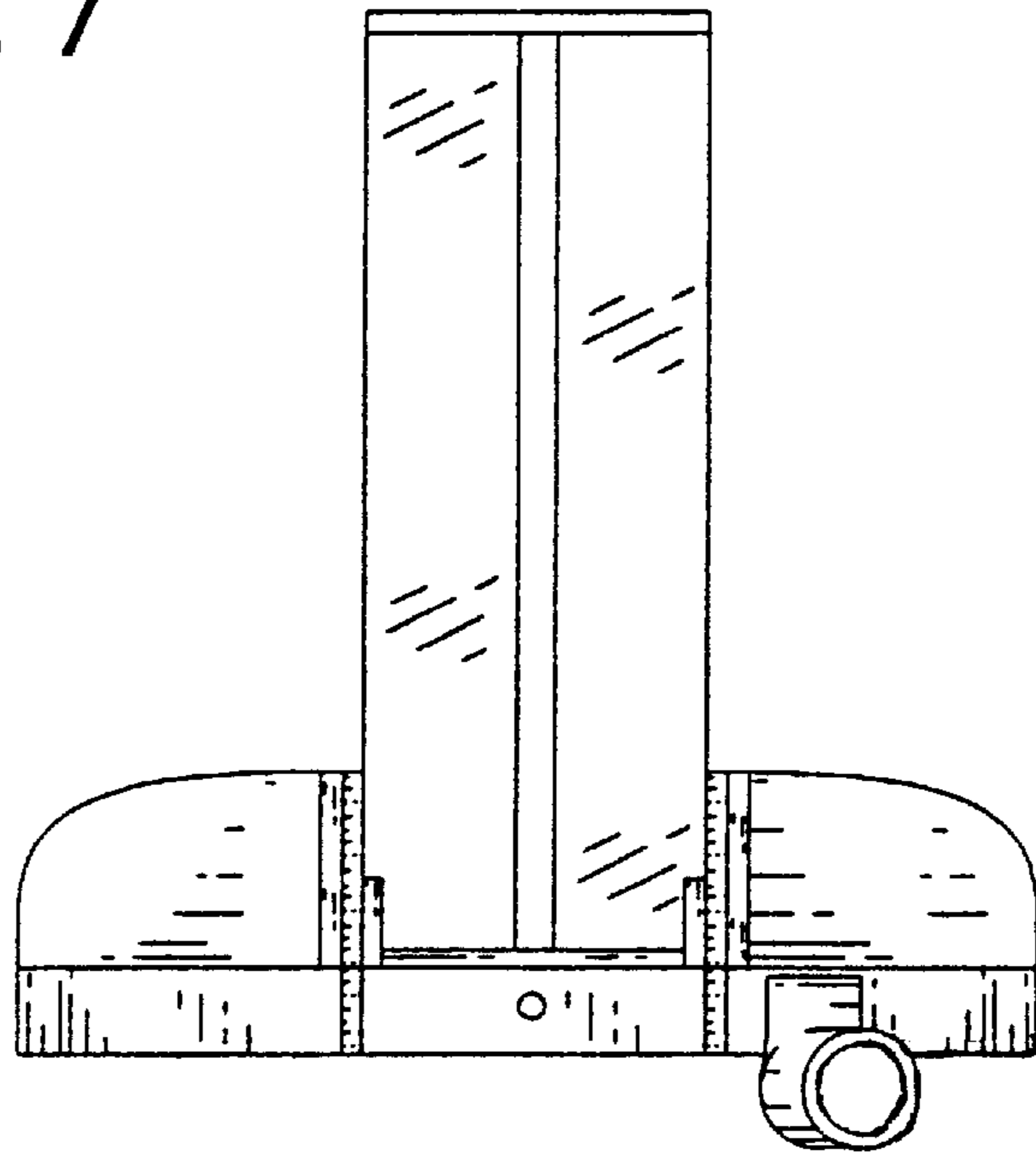


FIG. 8

