



US00D407448S

United States Patent [19]
Pogue

[11] **Patent Number: Des. 407,448**

[45] **Date of Patent: **Mar. 30, 1999**

[54] **CENTRAL COMMAND DECK IN A TOY VEHICLE SYSTEM**

5,286,024	2/1994	Winblad	463/38
5,295,890	3/1994	Myers	446/456
5,334,076	8/1994	Shinozuka	446/456
5,533,921	7/1996	Wilkinson	446/456

[75] Inventor: **Lonnie C. Pogue**, San Diego, Calif.

[73] Assignee: **Rokenbok Toy Company**, Cardiff, Calif.

Primary Examiner—Raphael Barkai
Attorney, Agent, or Firm—Ellsworth R. Roston; Fulwider Patton Lee & Utecht, LLP

[**] Term: **14 Years**

[57] **CLAIM**

[21] Appl. No.: **81,677**

The ornamental design for a central command deck in a toy vehicle system, as shown and described.

[22] Filed: **Jan. 8, 1998**

DESCRIPTION

[51] **LOC (6) Cl.** **21-01**

[52] **U.S. Cl.** **D21/566**

[58] **Field of Search** D21/466, 475, D21/483, 513, 515, 517, 566; D14/114, 117.1, 117.5, 117.6, 117.9, 137, 138, 143, 147; 446/141-143, 456; 273/148 B; 463/36-39; D13/168

FIG. 1 is a perspective view of a central command deck in a toy vehicle system showing my new design; FIG. 2 is an elevational view of the left side thereof; FIG. 3 is a top plan view thereof; FIG. 4 is an elevational view of the front thereof; FIG. 5 is an elevational view of the right side thereof; FIG. 6 is an elevational view of the rear thereof, and, FIG. 7 is a bottom plan view thereof.

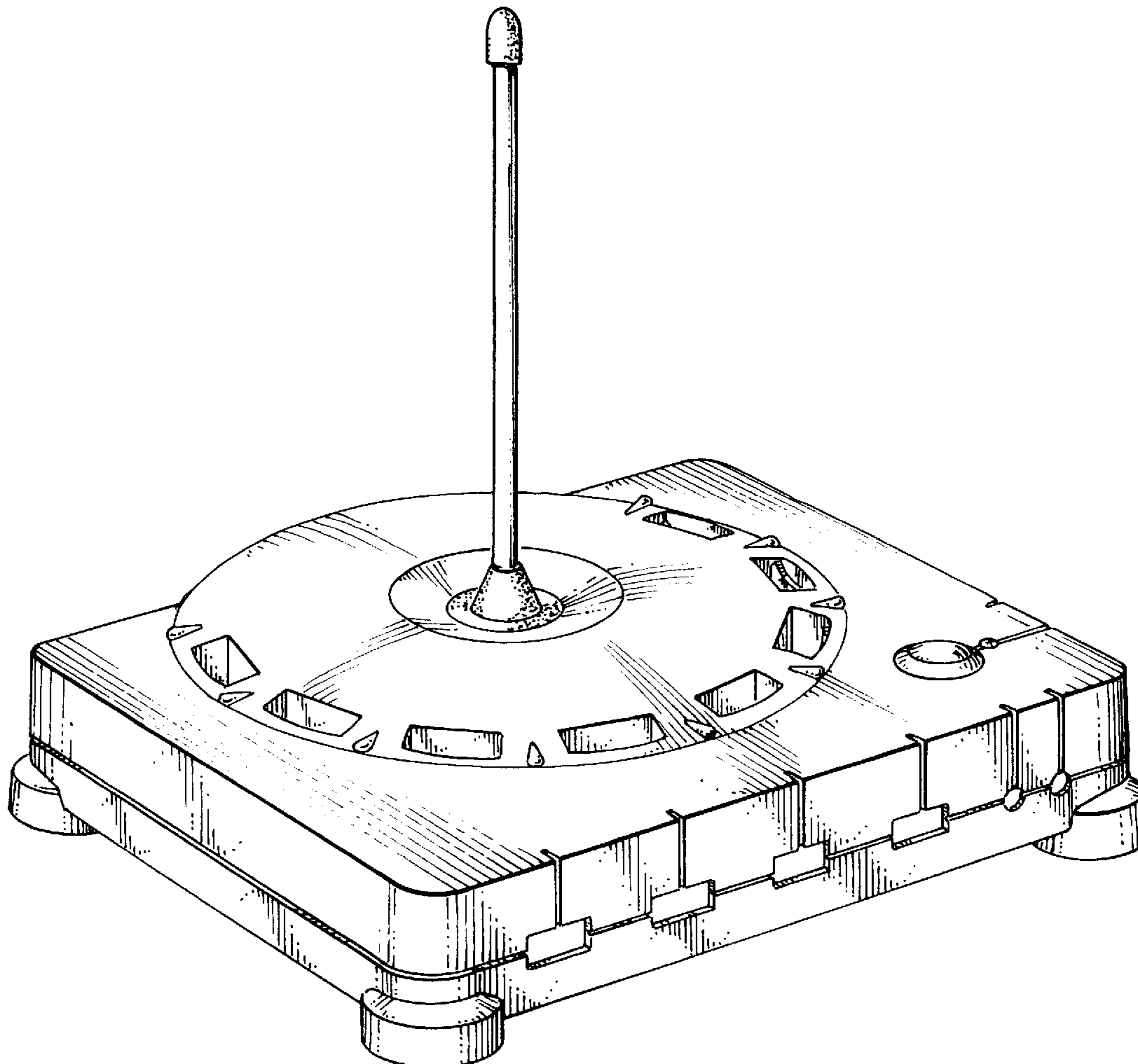
The partial showing of the vertical element of FIGS. 2, 4 and 6 is for ease of illustration only.

[56] **References Cited**

U.S. PATENT DOCUMENTS

D. 372,435	8/1996	Bellomo et al.	D14/137
D. 394,092	5/1998	Kato	D21/566

1 Claim, 4 Drawing Sheets



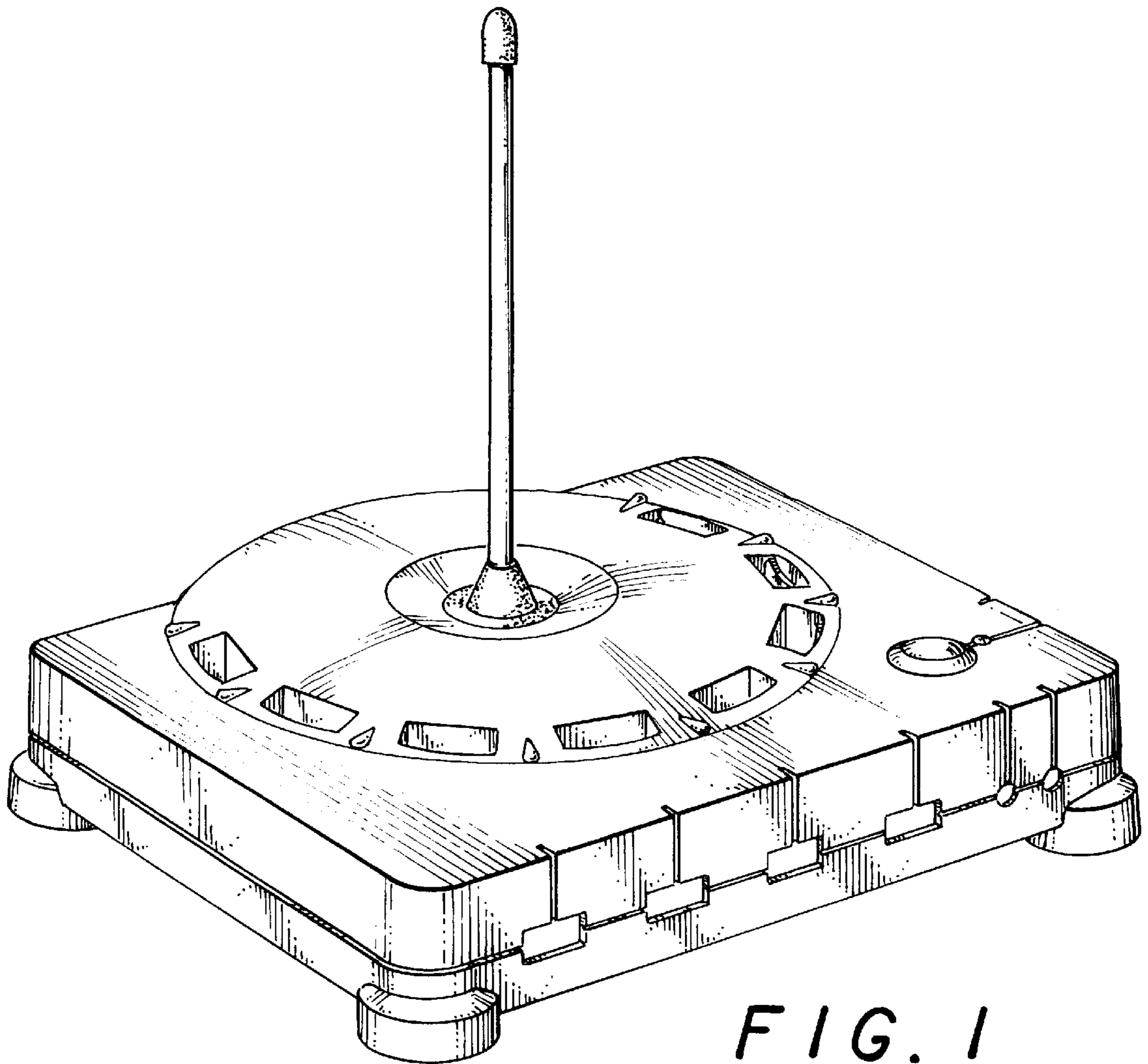


FIG. 1

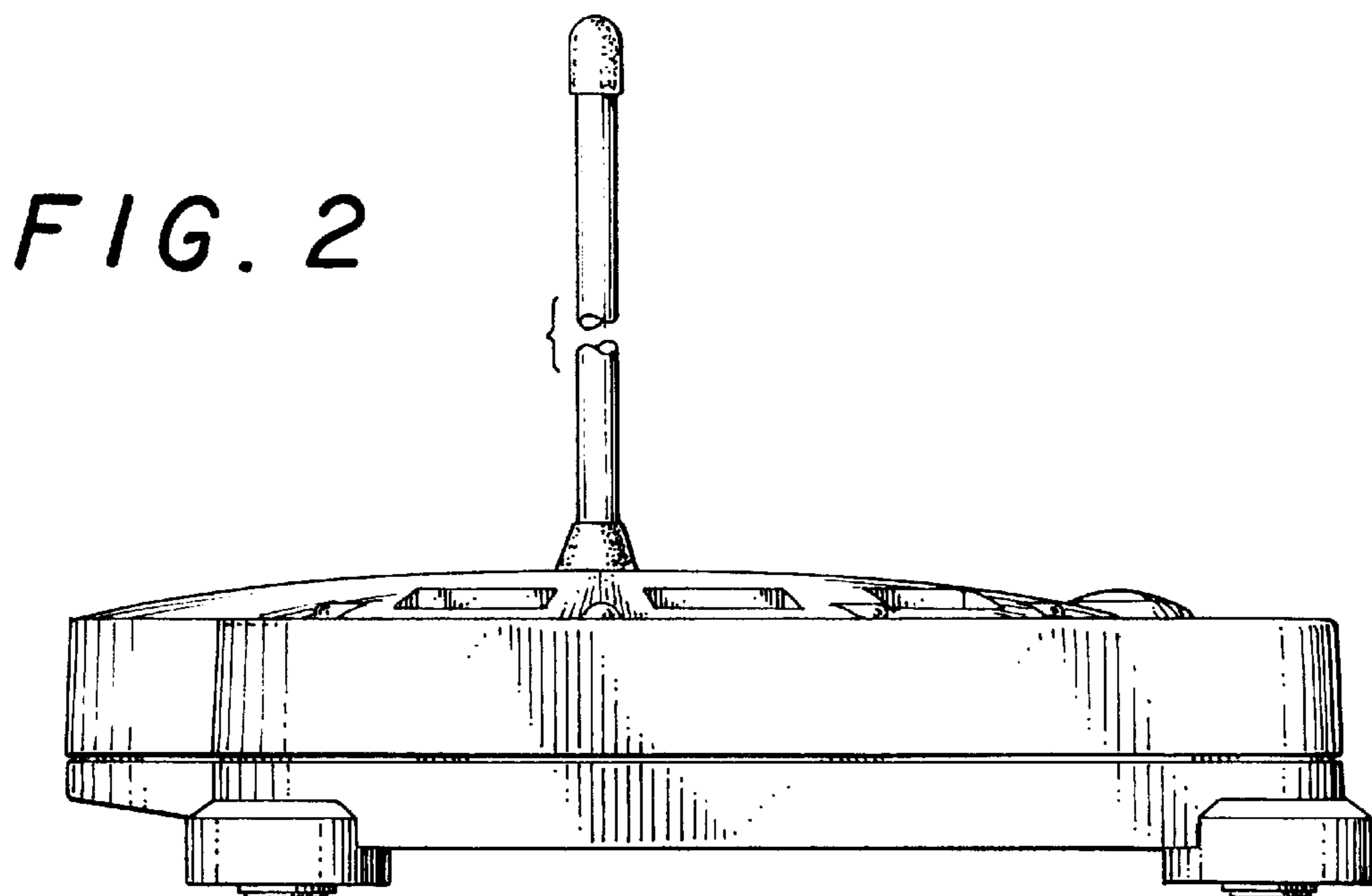


FIG. 2

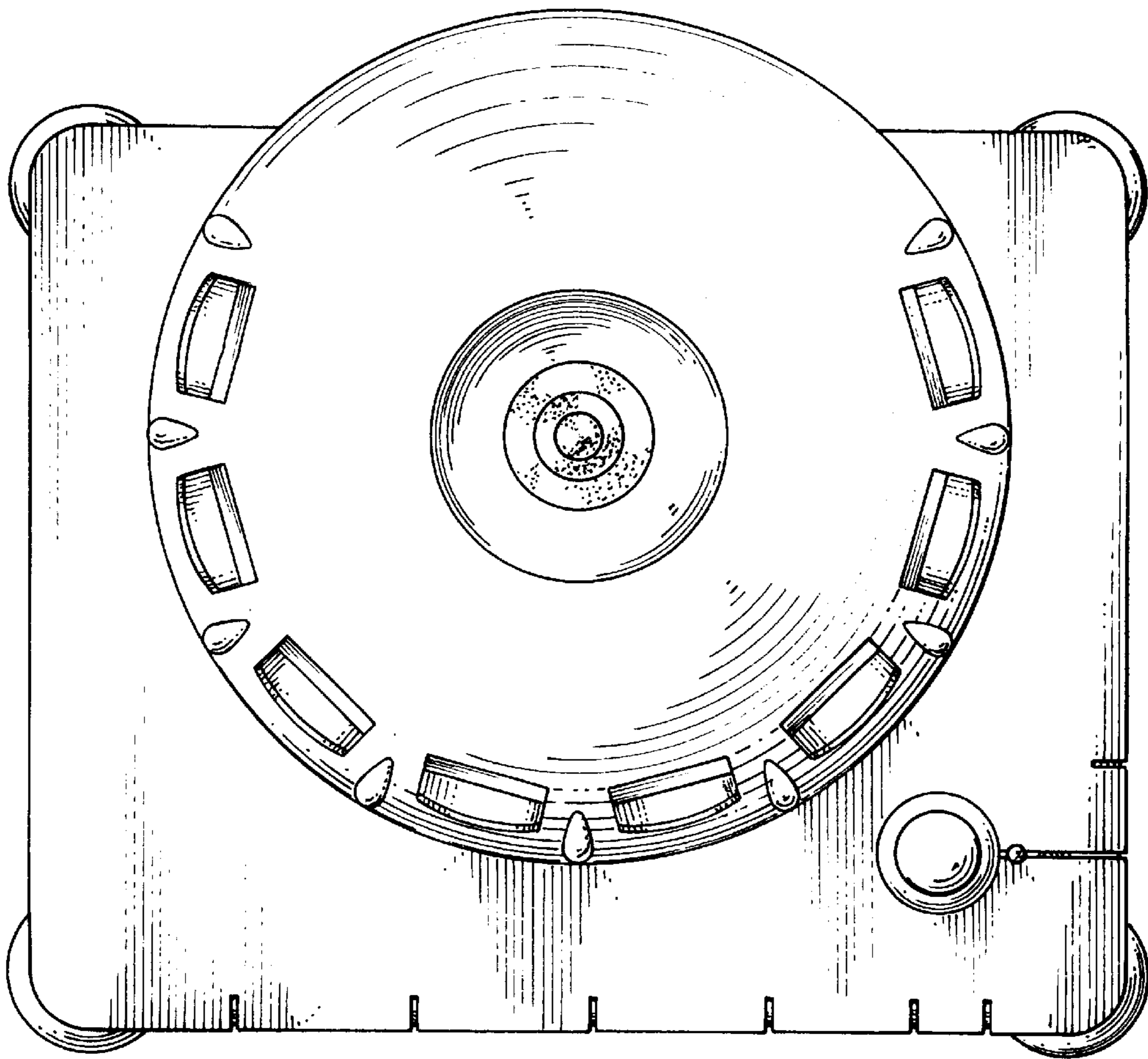


FIG. 3

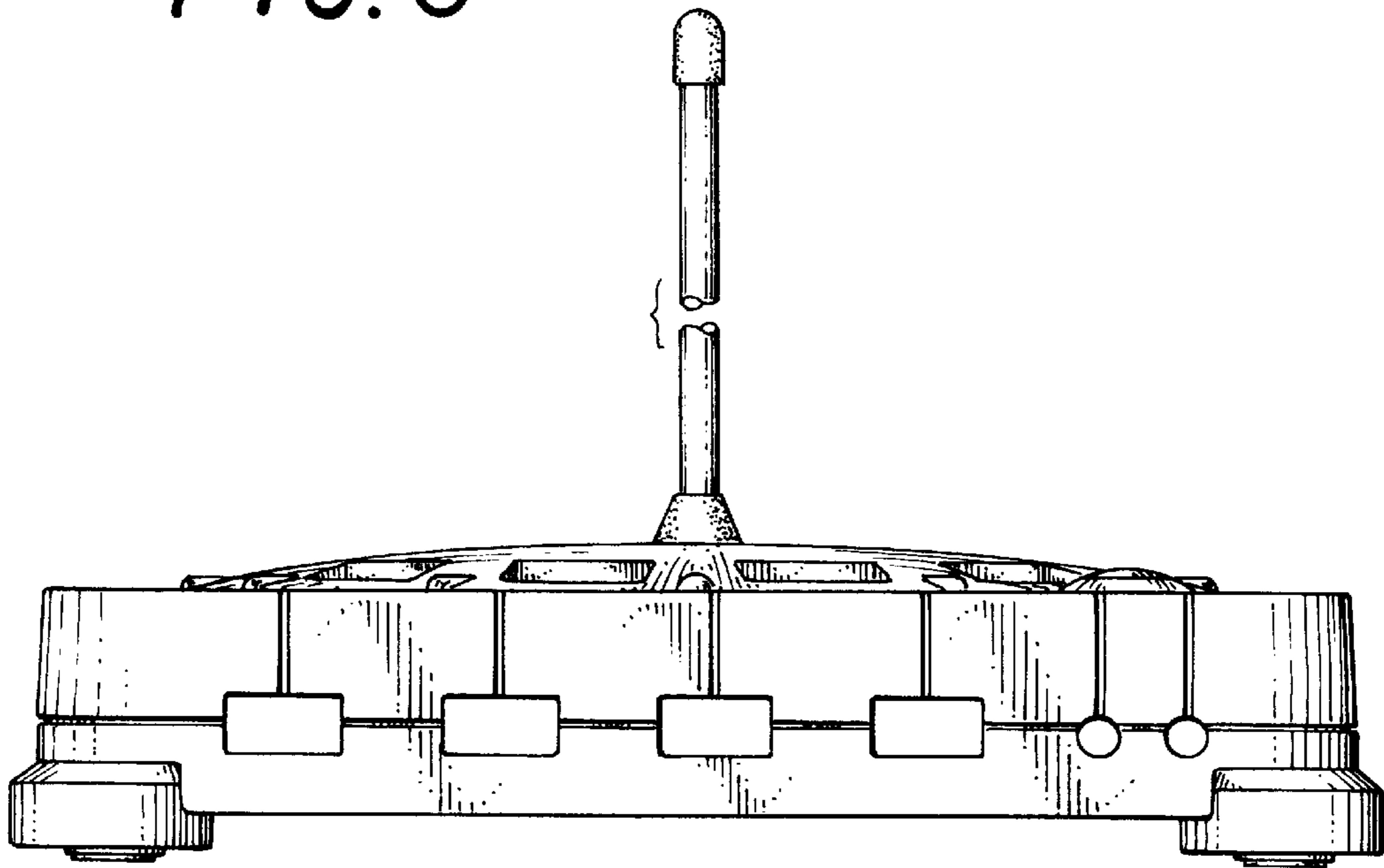


FIG. 4

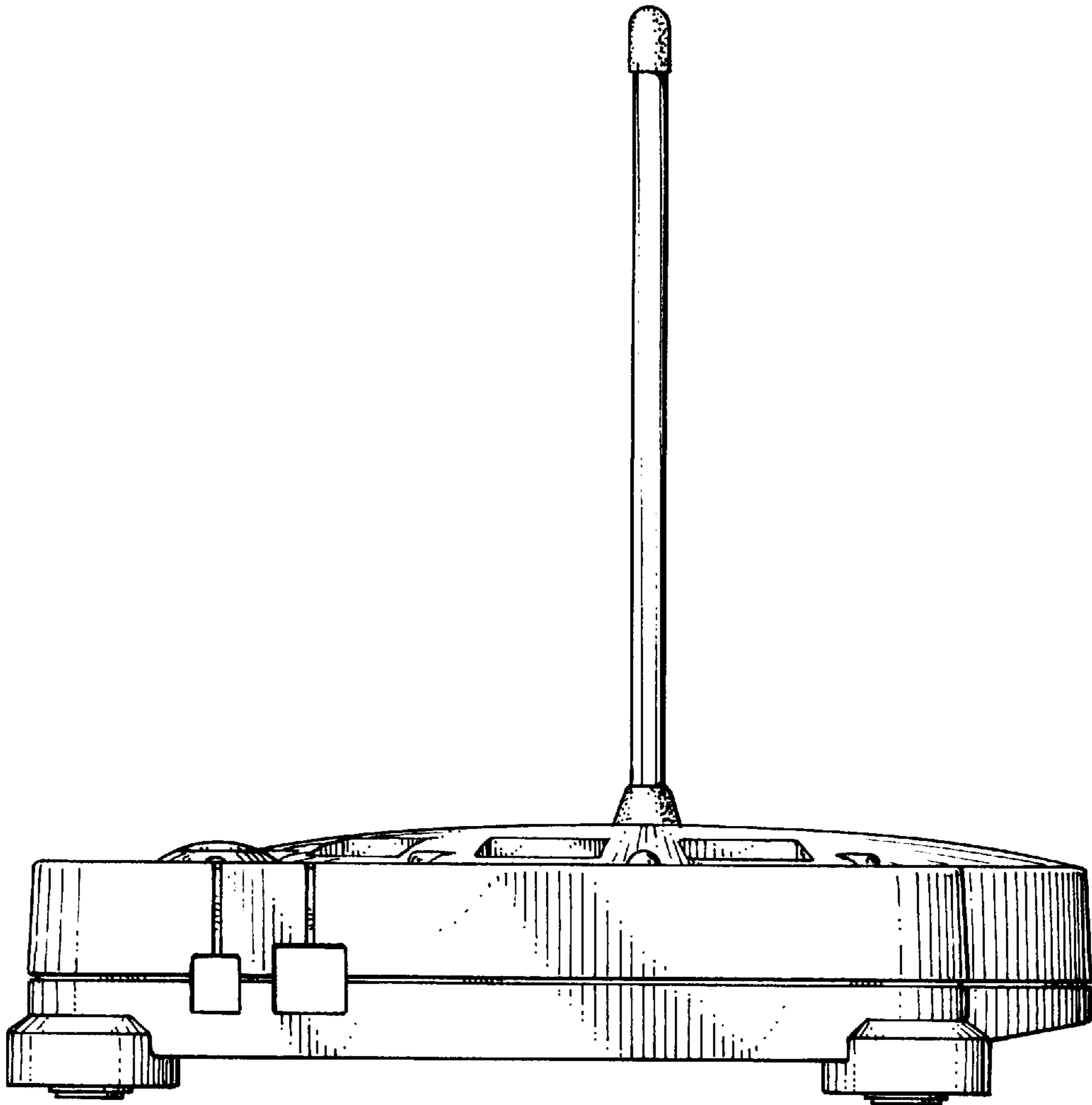


FIG. 5

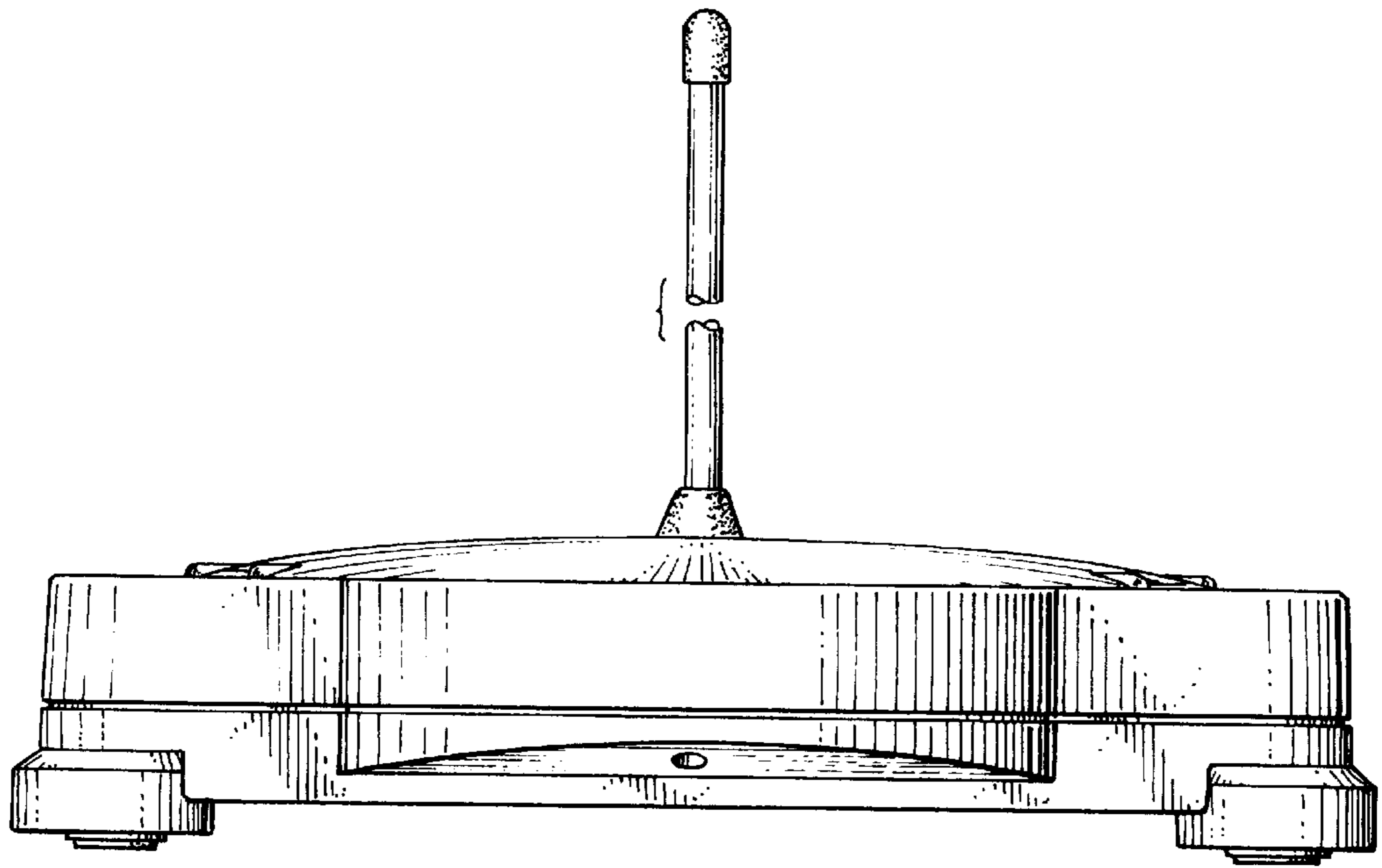


FIG. 6

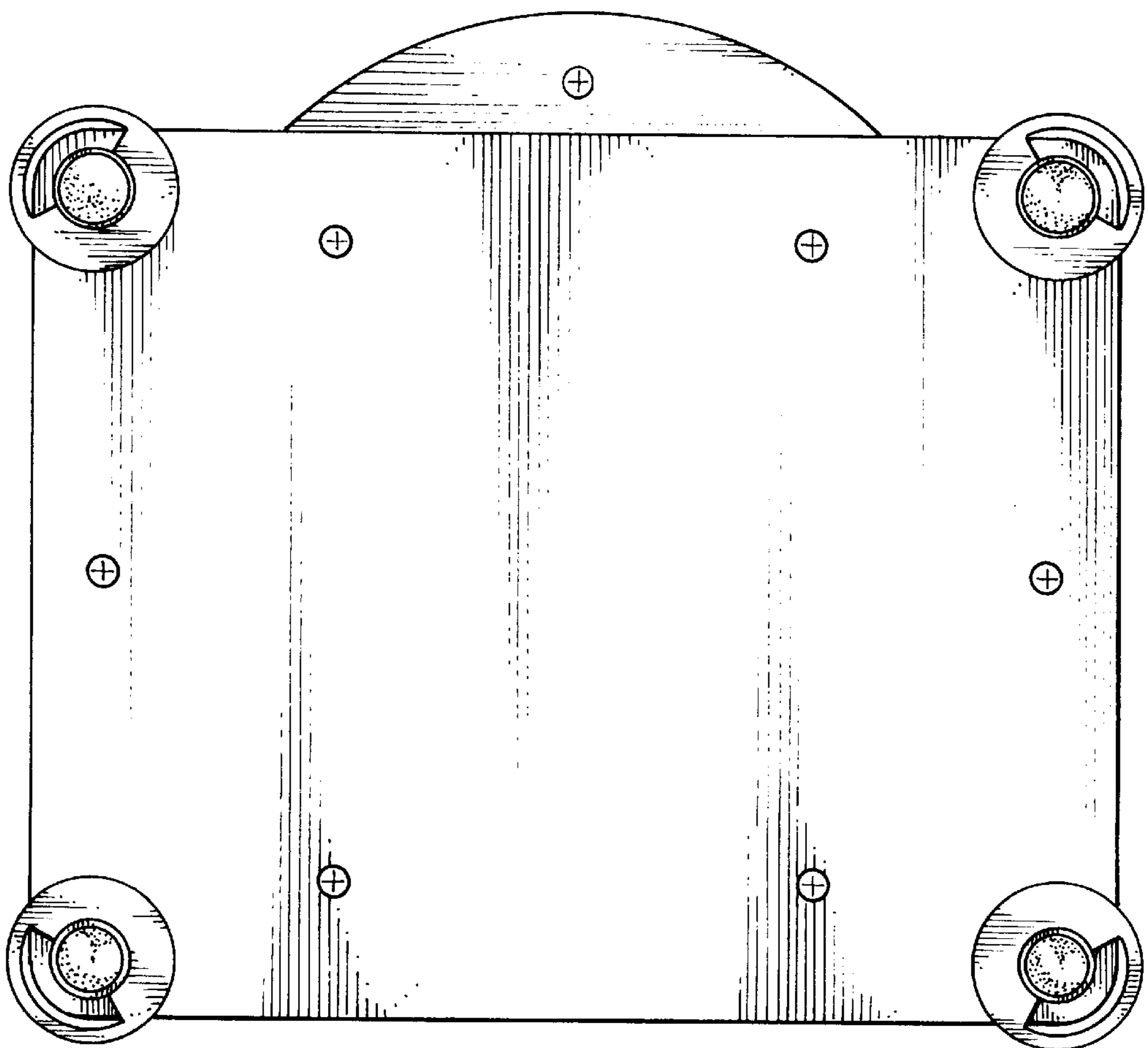


FIG. 7