



US00D407443S

United States Patent [19] Graddy

[11] **Patent Number: Des. 407,443**

[45] **Date of Patent: **Mar. 30, 1999**

[54] **BARREL SIGN**

D. 351,422 10/1994 Morris D20/10

[75] Inventor: **Joseph M. Graddy**, Lexington, Ky.

Primary Examiner—Susan J. Lucas

Assistant Examiner—Jennifer Rivard

[73] Assignee: **Ashland Inc.**, Lexington, Ky.

Attorney, Agent, or Firm—David W. Carrithers; Carrithers Law Office

[**] Term: **14 Years**

[57] **CLAIM**

[21] Appl. No.: **85,811**

The ornamental design for a barrel sign, as shown and described.

[22] Filed: **Mar. 31, 1998**

DESCRIPTION

[51] **LOC (6) Cl.** **20-03**

[52] **U.S. Cl.** **D20/10; D20/15**

[58] **Field of Search** D20/10, 15, 28,
D20/27, 37, 29; 40/584, 650, 661.03, 660,
538, 617

FIG. 1 is a perspective view of a barrel sign in accordance with my design;

FIG. 2 is a bottom plan view thereof;

FIG. 3 is a elevational front view thereof;

FIG. 4 is an elevational rear view thereof;

FIG. 5 is a top plan view thereof; and,

FIG. 6 is an elevational right side view, the left side view being a mirror image thereof.

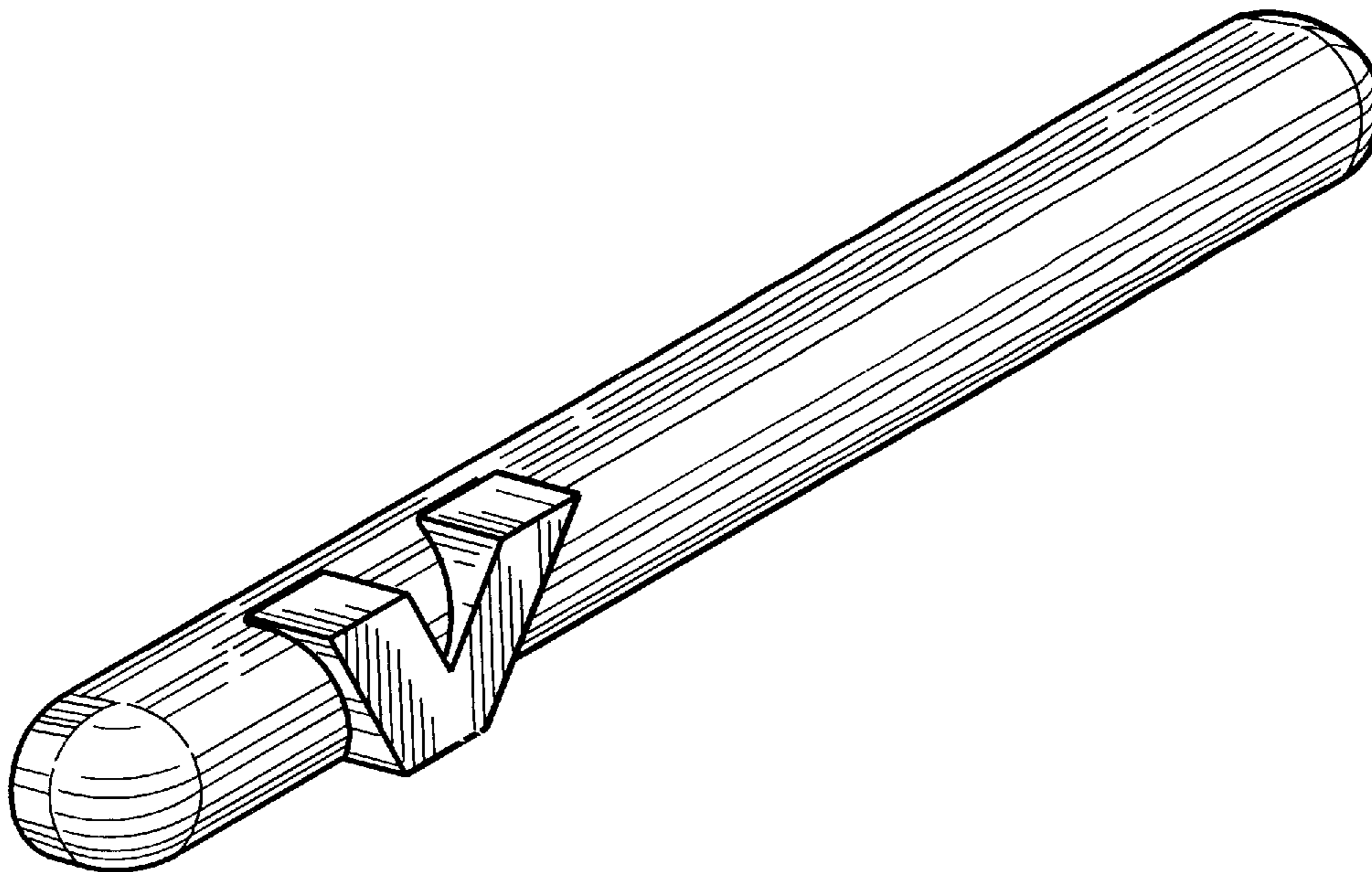
[56] **References Cited**

U.S. PATENT DOCUMENTS

D. 308,399 6/1990 Mori D20/35

D. 331,472 12/1992 Campbell D20/10

1 Claim, 1 Drawing Sheet



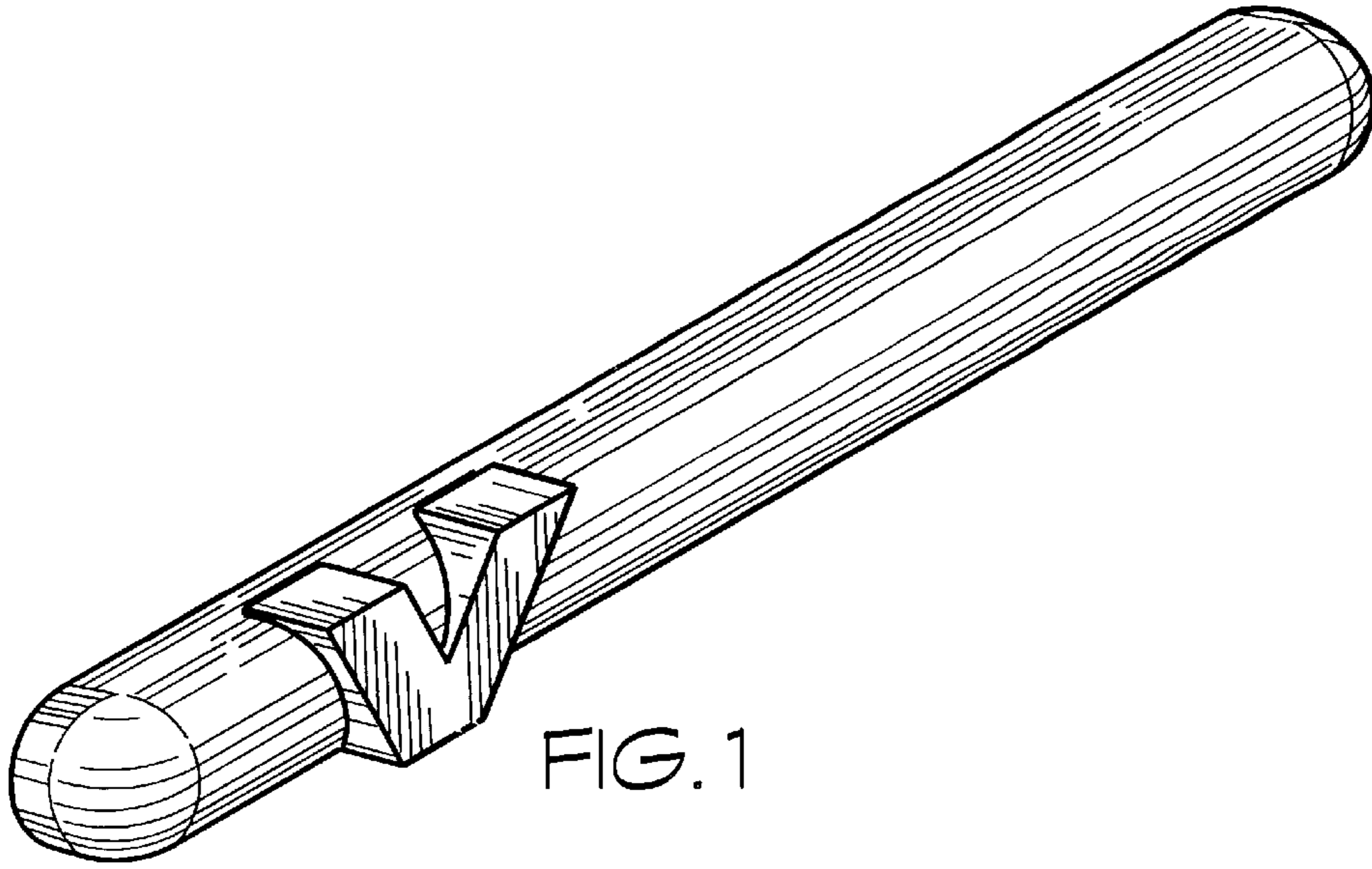


FIG. 1

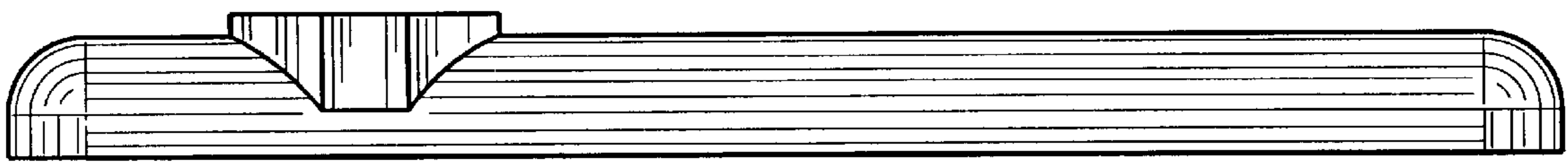


FIG. 2

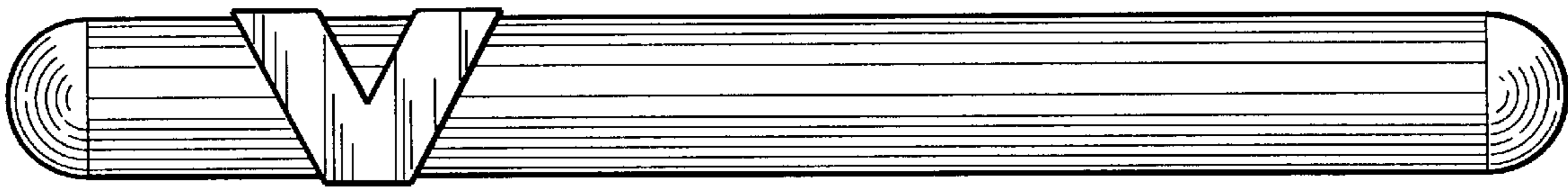


FIG. 3

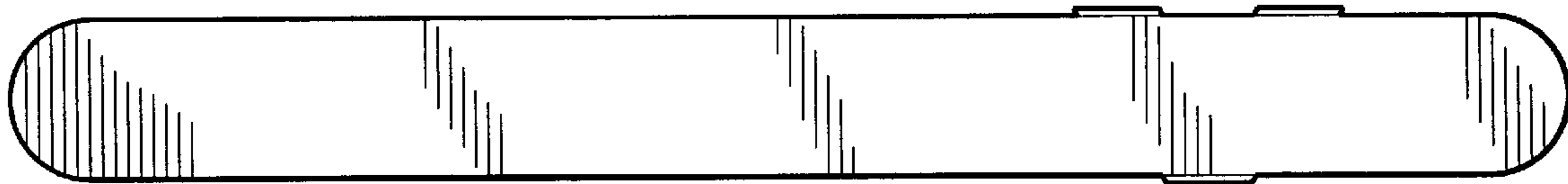


FIG. 4

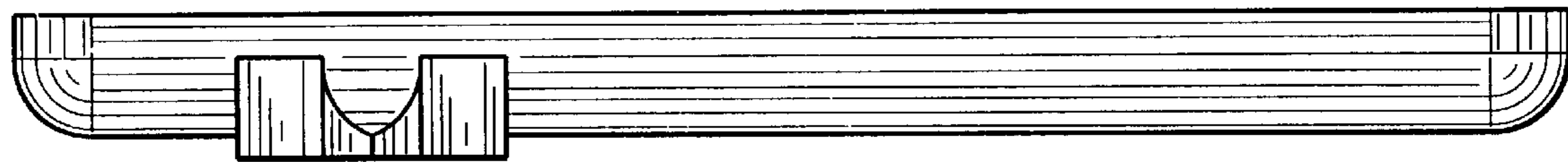


FIG. 5

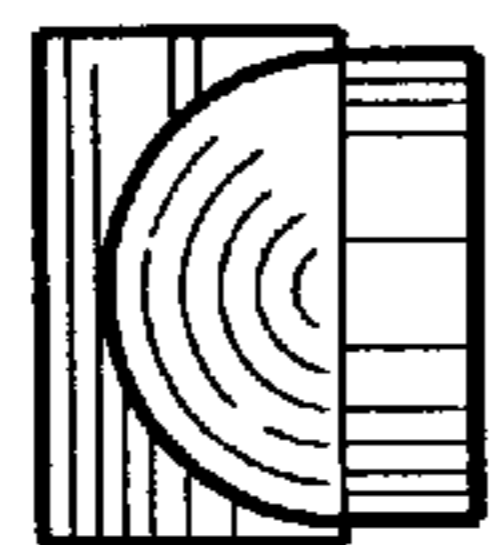


FIG. 6