



US00D407441S

United States Patent [19] Greenberg et al.

[11] Patent Number: **Des. 407,441**

[45] Date of Patent: ****Mar. 30, 1999**

[54] **COMBINED NOTEBOOK/FILE SYSTEM**

[75] Inventors: **Mitchell Greenberg; Jacobo Feldman,**
both of Boca Raton, Fla.

[73] Assignee: **Rollabind Inc.,** Pompano Beach, Fla.

[**] Term: **14 Years**

[21] Appl. No.: **82,305**

[22] Filed: **Jan. 20, 1998**

[51] **LOC (6) Cl.** **19-02**

[52] **U.S. Cl.** **D19/90; D19/27; D19/86;**
D19/91; D19/75

[58] **Field of Search** D19/36, 26, 27,
D19/32, 33, 65, 75, 86, 90, 91, 99, 100;
281/15.1, 19.2, 21.1, 22, 27.1, 27.2, 27.3,
29, 45, 50, 51; 402/4, 70, 79, 80 R, 26-45,
60; 312/184; 40/359

[56] **References Cited**

U.S. PATENT DOCUMENTS

3,351,065	11/1967	Roush	402/70
4,400,107	8/1983	Pitts	402/4
4,575,273	3/1986	Gerriet	312/184 X
4,576,328	3/1986	Snider et al.	312/184 X
4,950,096	8/1990	Gilder	402/4
4,979,626	12/1990	Pitts	312/184 X
5,015,114	5/1991	Miller	.	
5,154,527	10/1992	Blessing	402/4

5,199,809	4/1993	Semerjian	402/4
5,340,156	8/1994	Bianco	.	
5,393,154	2/1995	Hubbell	402/80 R X
5,540,512	7/1996	Pinzauti	.	
5,553,959	9/1996	Feldman et al.	.	
5,572,815	11/1996	Kovner	.	
5,695,233	12/1997	Feldman	402/79 X

FOREIGN PATENT DOCUMENTS

625130	9/1961	Italy	.
71937	3/1953	Netherlands	.

Primary Examiner—Martie Thompson
Attorney, Agent, or Firm—Frishauf, Holtz, Goodman,
Langer & Chick

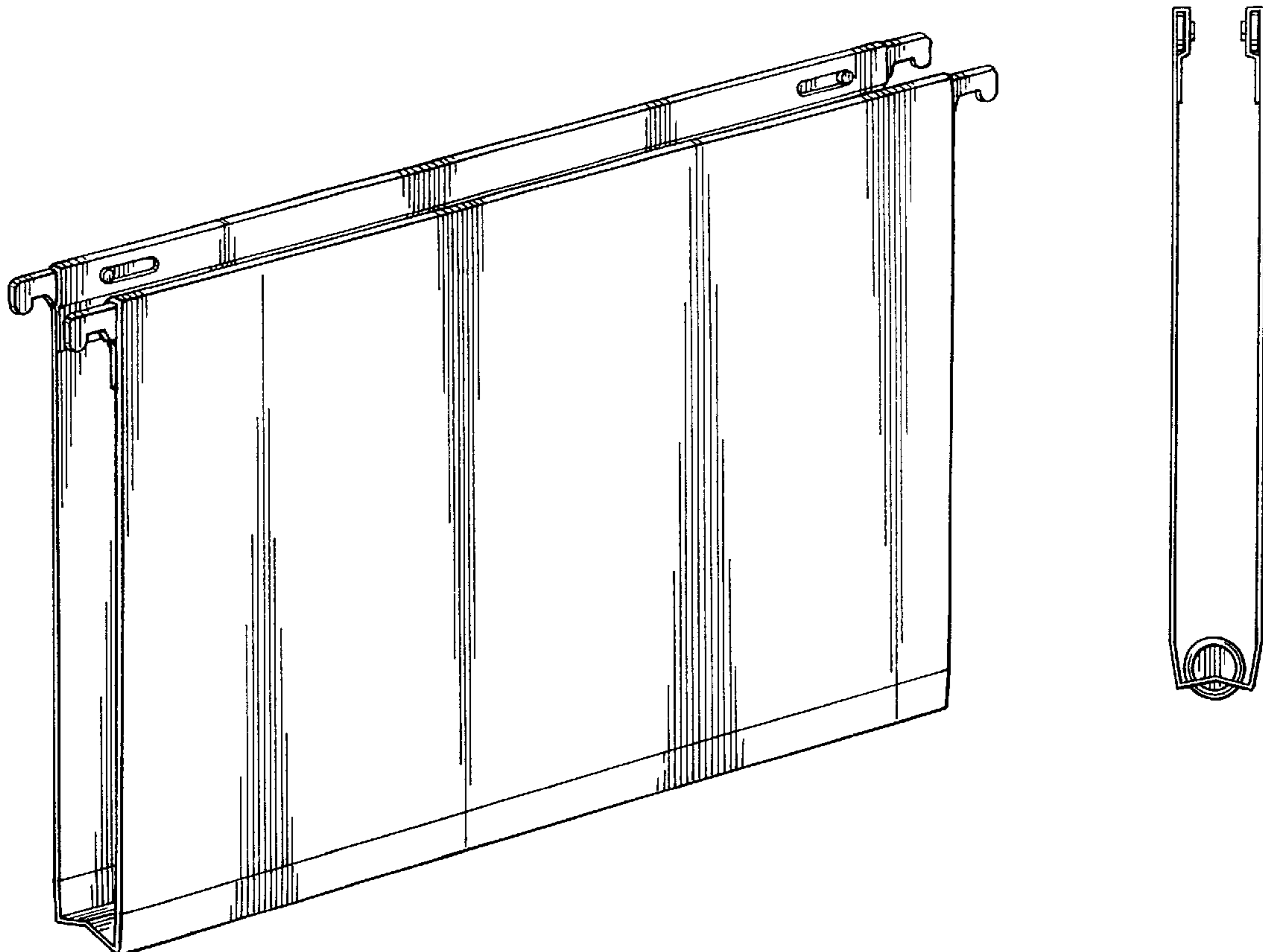
[57] **CLAIM**

The ornamental design for a combined notebook/file system,
as shown and described.

DESCRIPTION

FIG. 1 is a front, top, left side perspective view thereof;
FIG. 2 is a front elevational view thereof;
FIG. 3 is a left side elevational view, the right side being a
mirror image thereof;
FIG. 4 is a top plan view thereof;
FIG. 5 is a bottom plan view thereof; and,
FIG. 6 is a front, top, left side perspective view similar to
FIG. 1 but with the hangers retracted for use as a notebook.

1 Claim, 3 Drawing Sheets



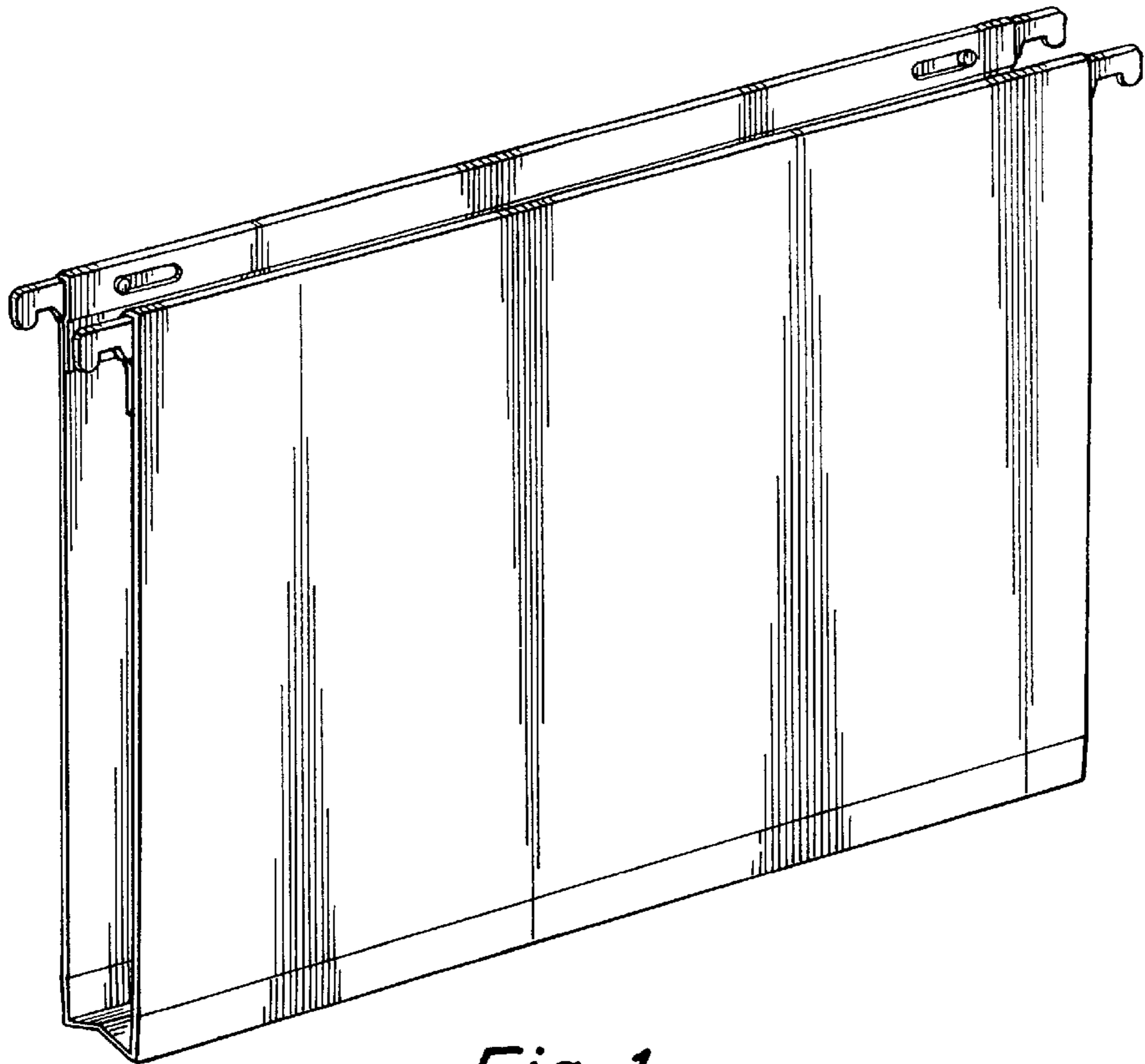


Fig. 1

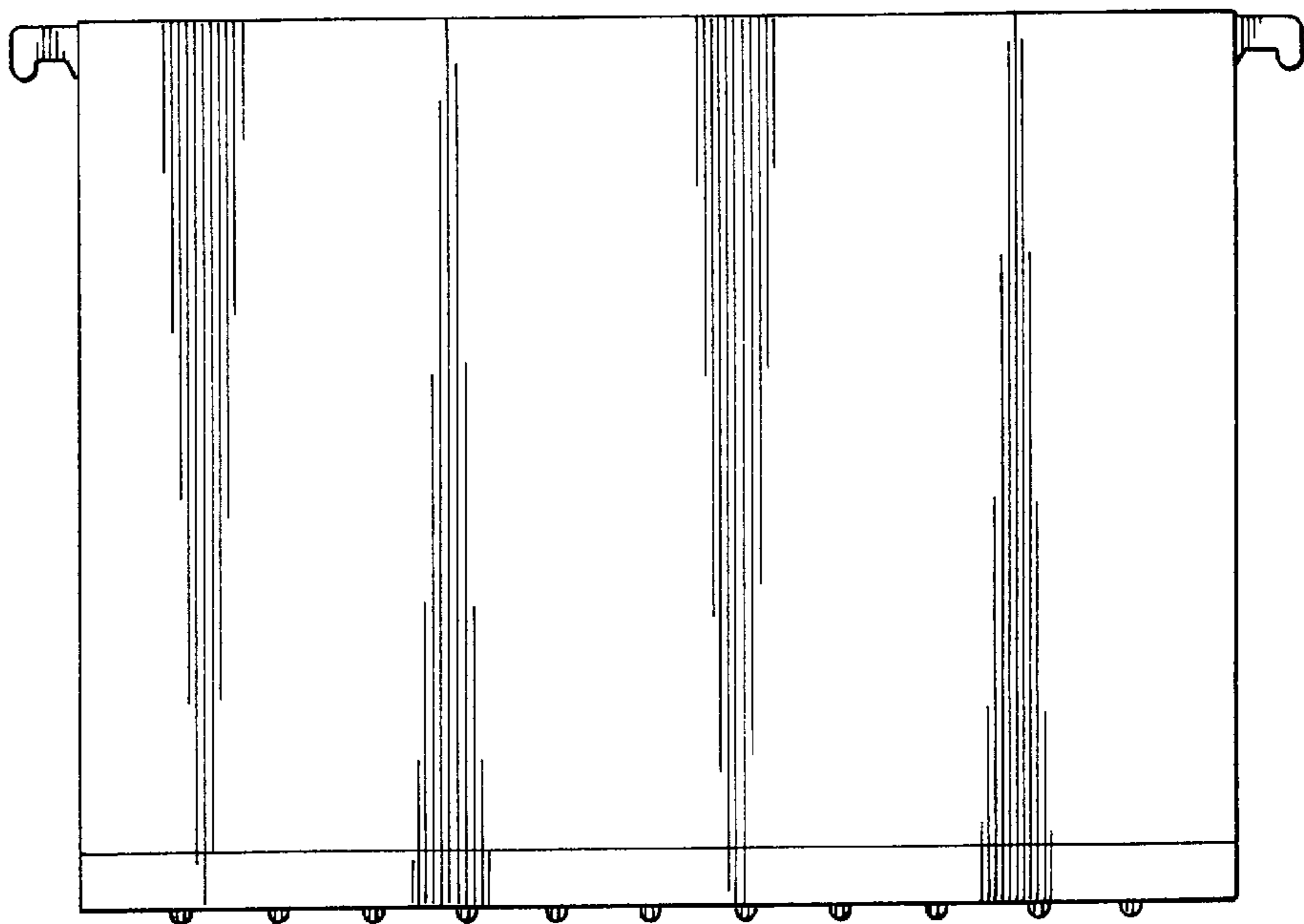


Fig. 2

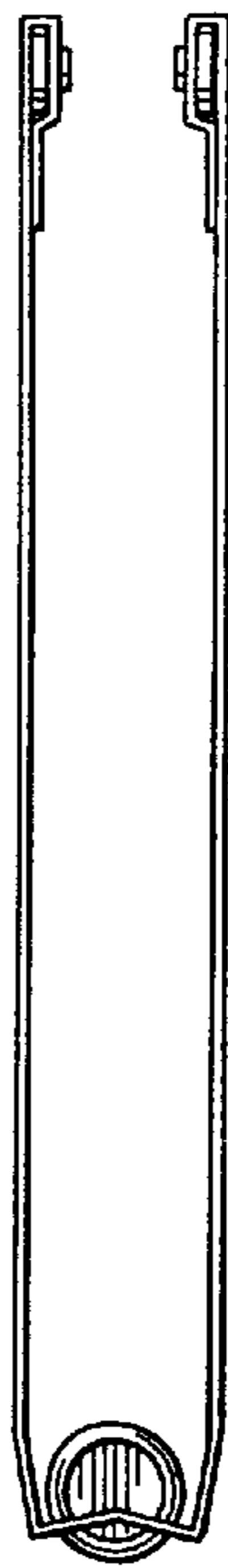


Fig. 3

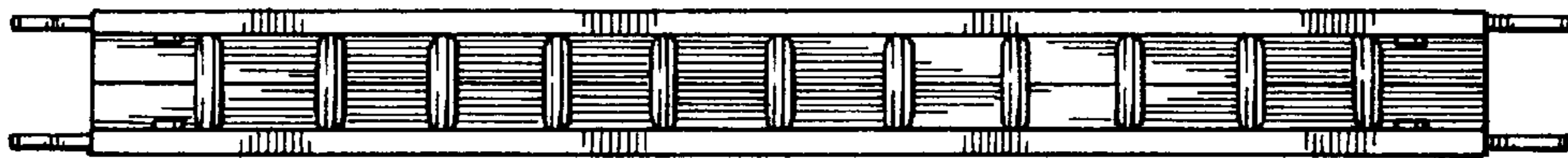


Fig. 4

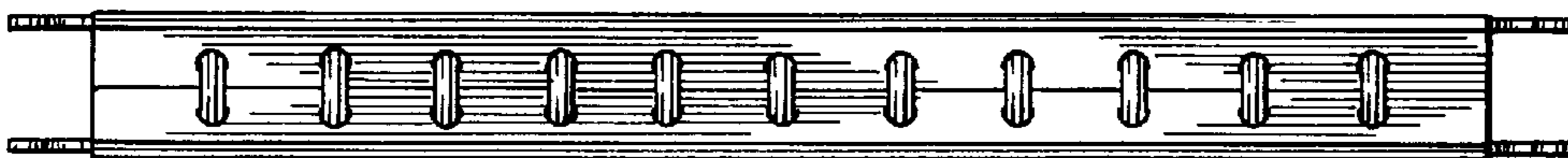


Fig. 5

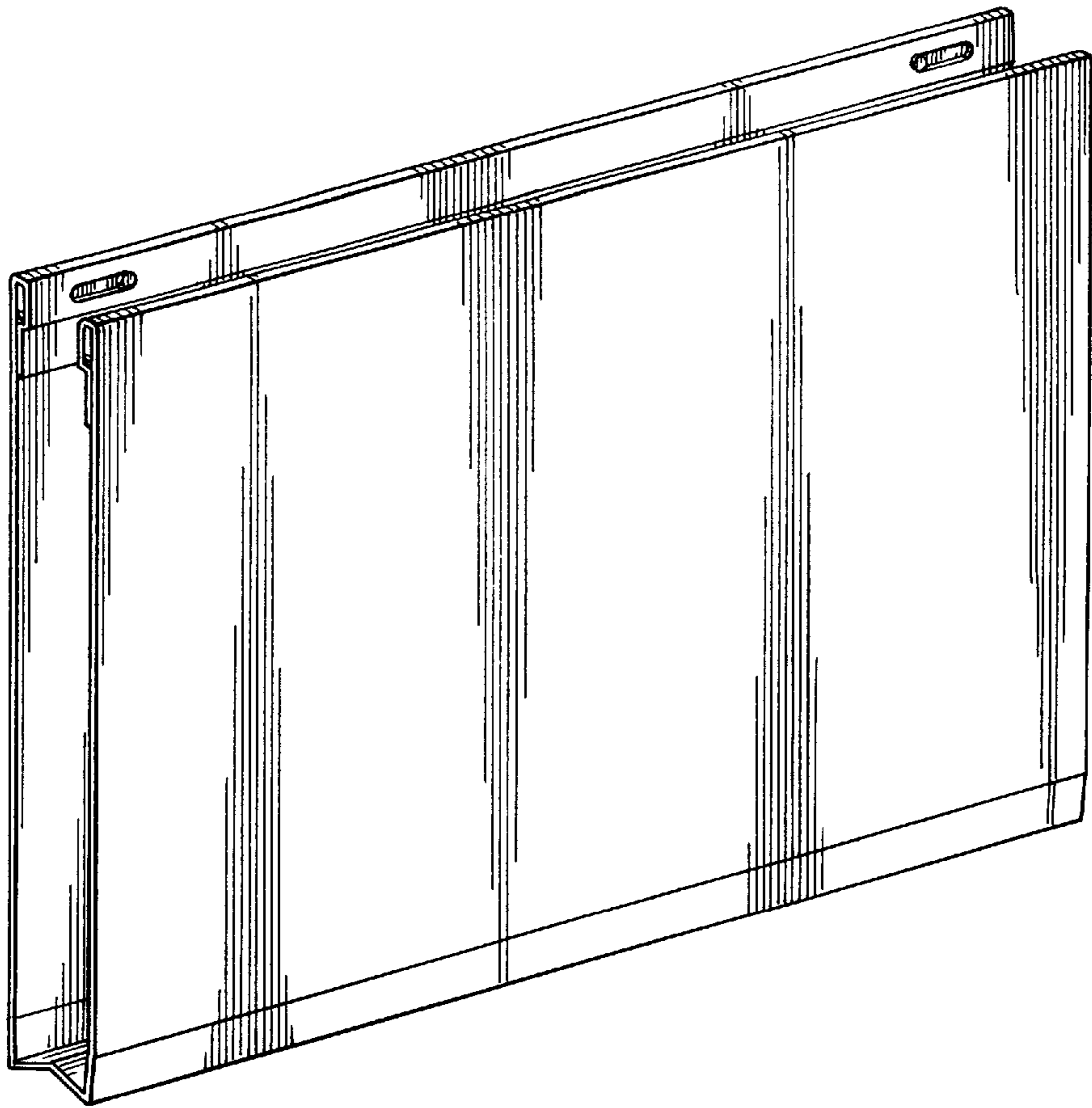


Fig. 6