



US00D407437S

United States Patent [19]

Wörther

[11] **Patent Number: Des. 407,437**

[45] **Date of Patent: **Mar. 30, 1999**

[54] **WRITING INSTRUMENT**

[76] Inventor: **Gerhard Wörther**, Hermannstrasse 5,
D-76530 Baden-Baden, Germany

[**] Term: **14 Years**

[21] Appl. No.: **90,190**

[22] Filed: **Jul. 2, 1998**

[51] **LOC (6) Cl.** **19-06**

[52] **U.S. Cl.** **D19/46; D19/41; D19/51;**
D19/47

[58] **Field of Search** D19/35, 36, 41-51,
D19/53-58, 81-85; 401/6, 7, 88, 209

[56] **References Cited**

U.S. PATENT DOCUMENTS

- D. 141,630 6/1945 Chapman D19/47
- D. 269,444 6/1983 Medebach D19/42
- D. 317,940 7/1991 Brenner D19/41

- D. 327,706 7/1992 Katami D19/43
- D. 389,516 1/1998 Delman D19/36

Primary Examiner—Martie K. Holtje
Attorney, Agent, or Firm—Collard & Roe, P.C.

[57] **CLAIM**

The ornamental design for a writing instrument, as shown and described.

DESCRIPTION

FIG. 1 shows a side view of my design for a writing instrument;
 FIG. 2 shows a side view thereof rotated 90° with the writing tip extended;
 FIG. 3 shows a side view thereof rotated 90°;
 FIG. 4 shows a side view thereof rotated 90°;
 FIG. 5 shows a rear end view thereof; and,
 FIG. 6 shows a front end view thereof.

1 Claim, 1 Drawing Sheet

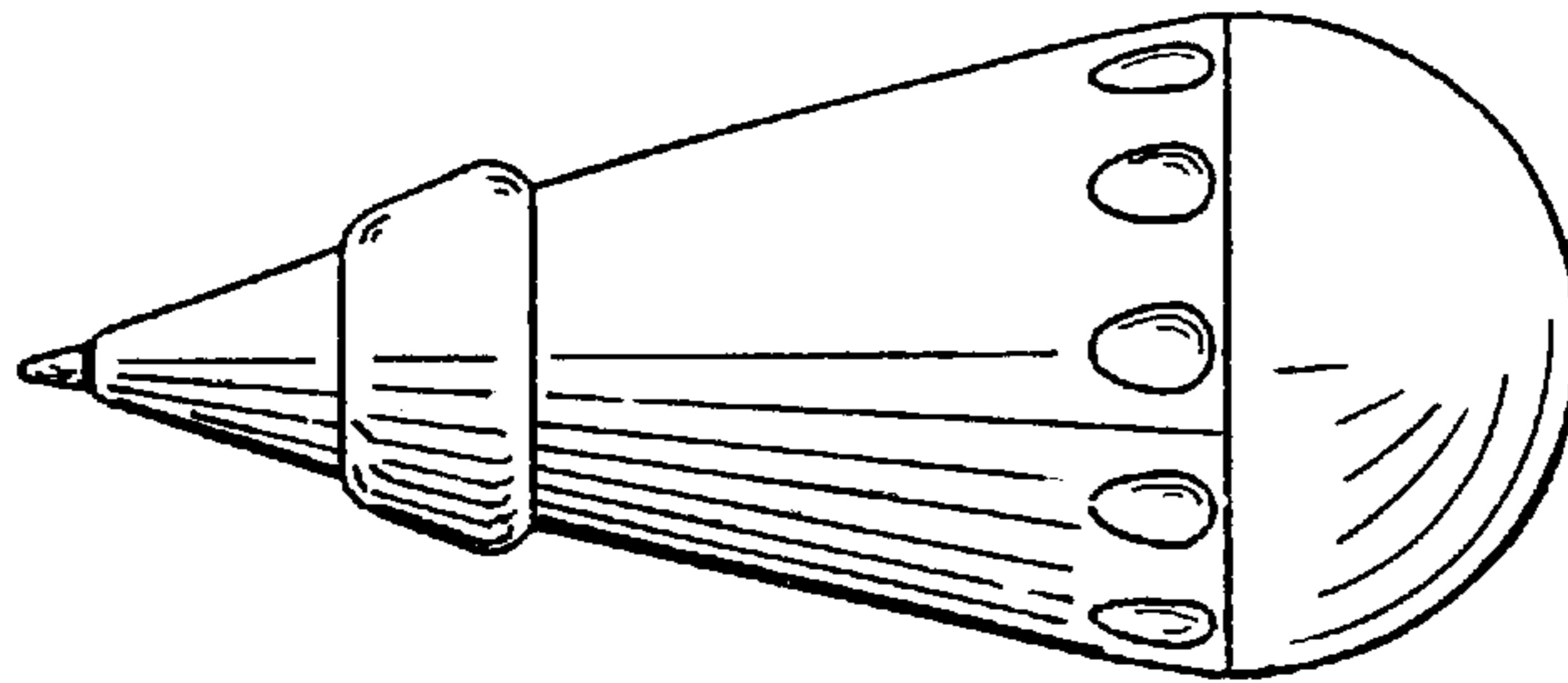


Fig. 1

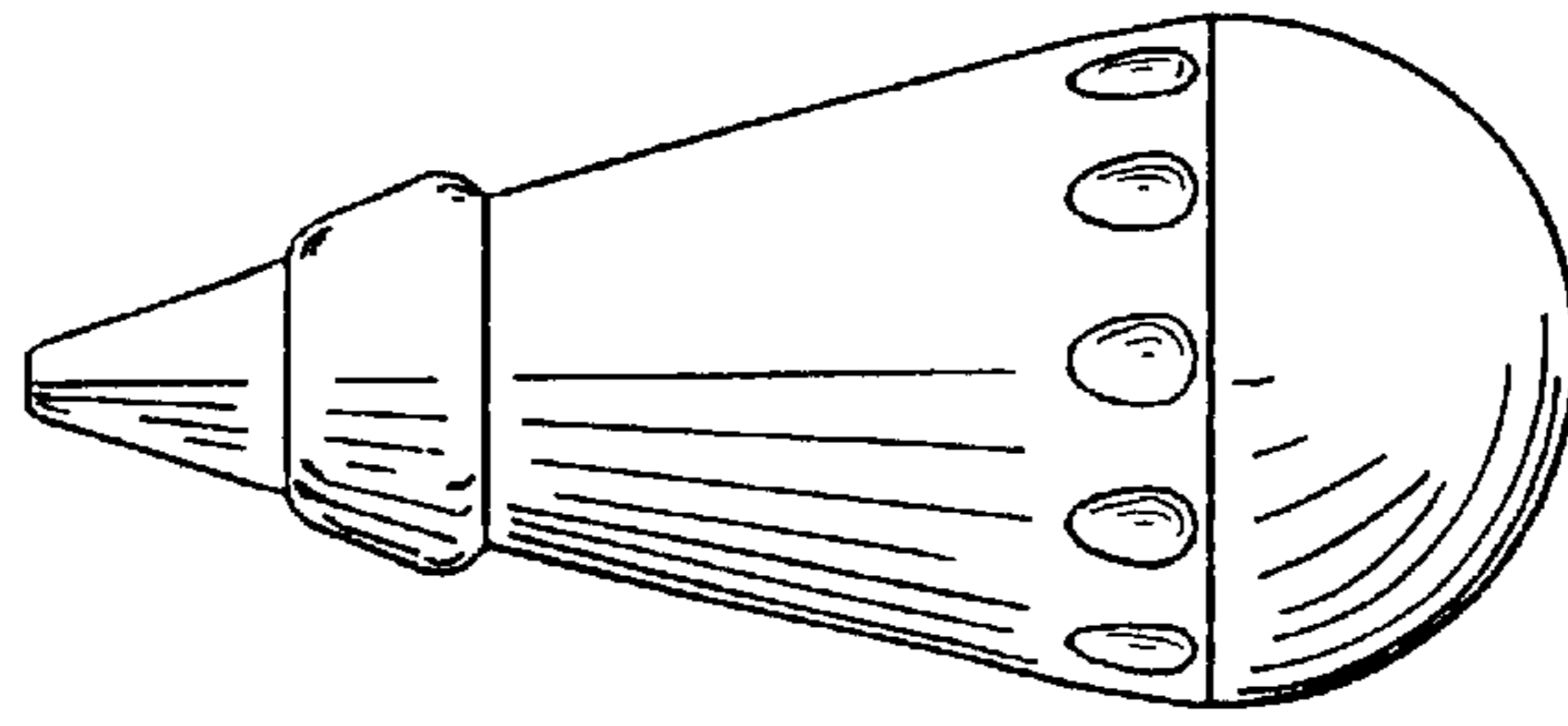


Fig. 2

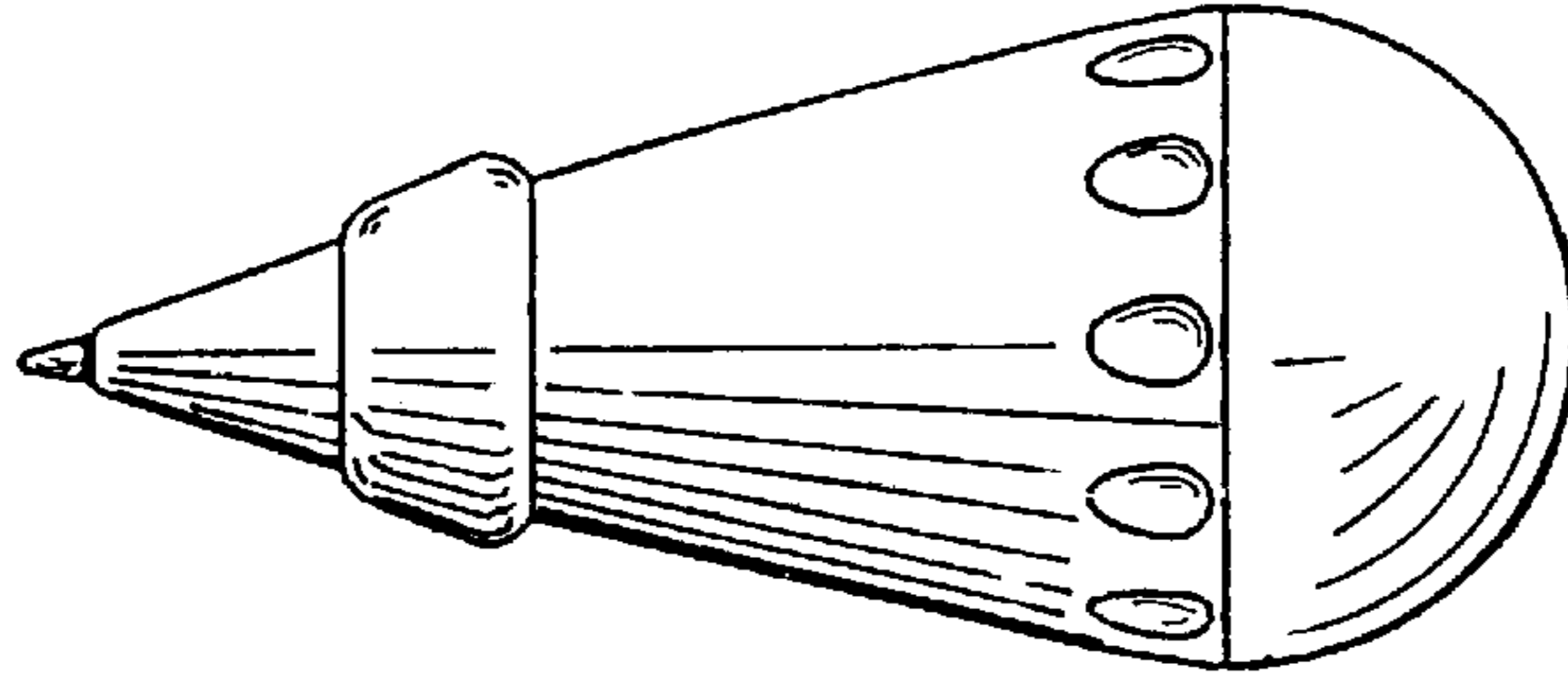


Fig. 3

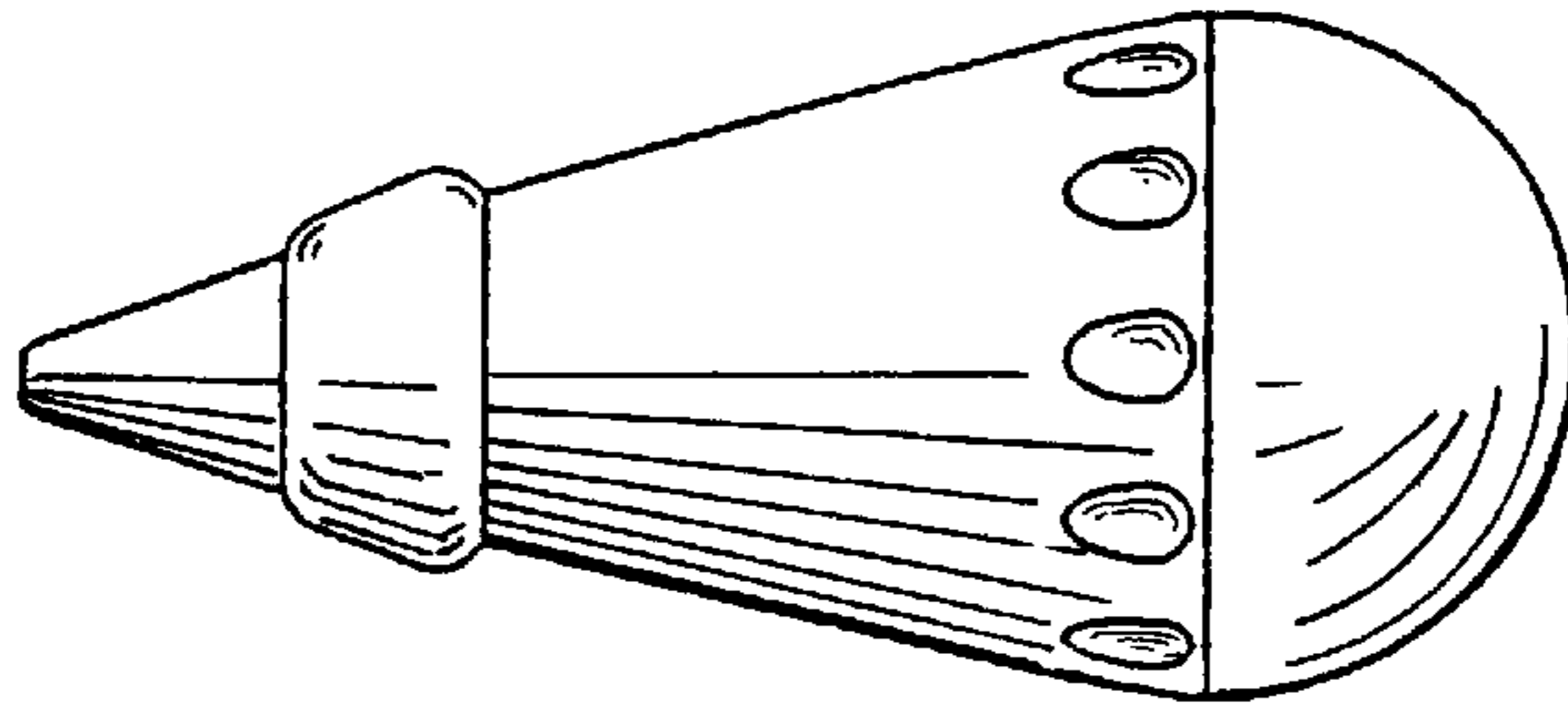


Fig. 4

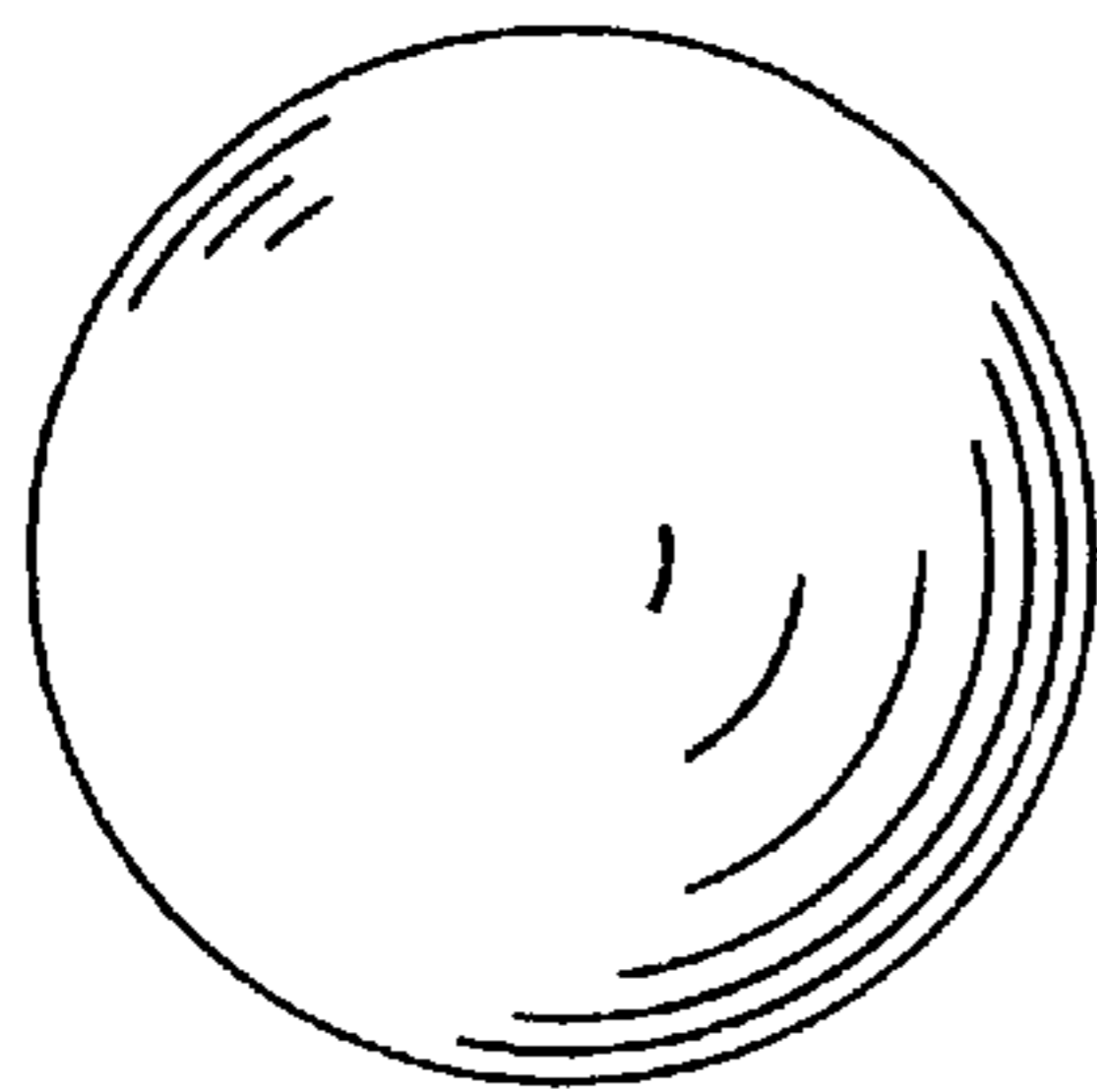
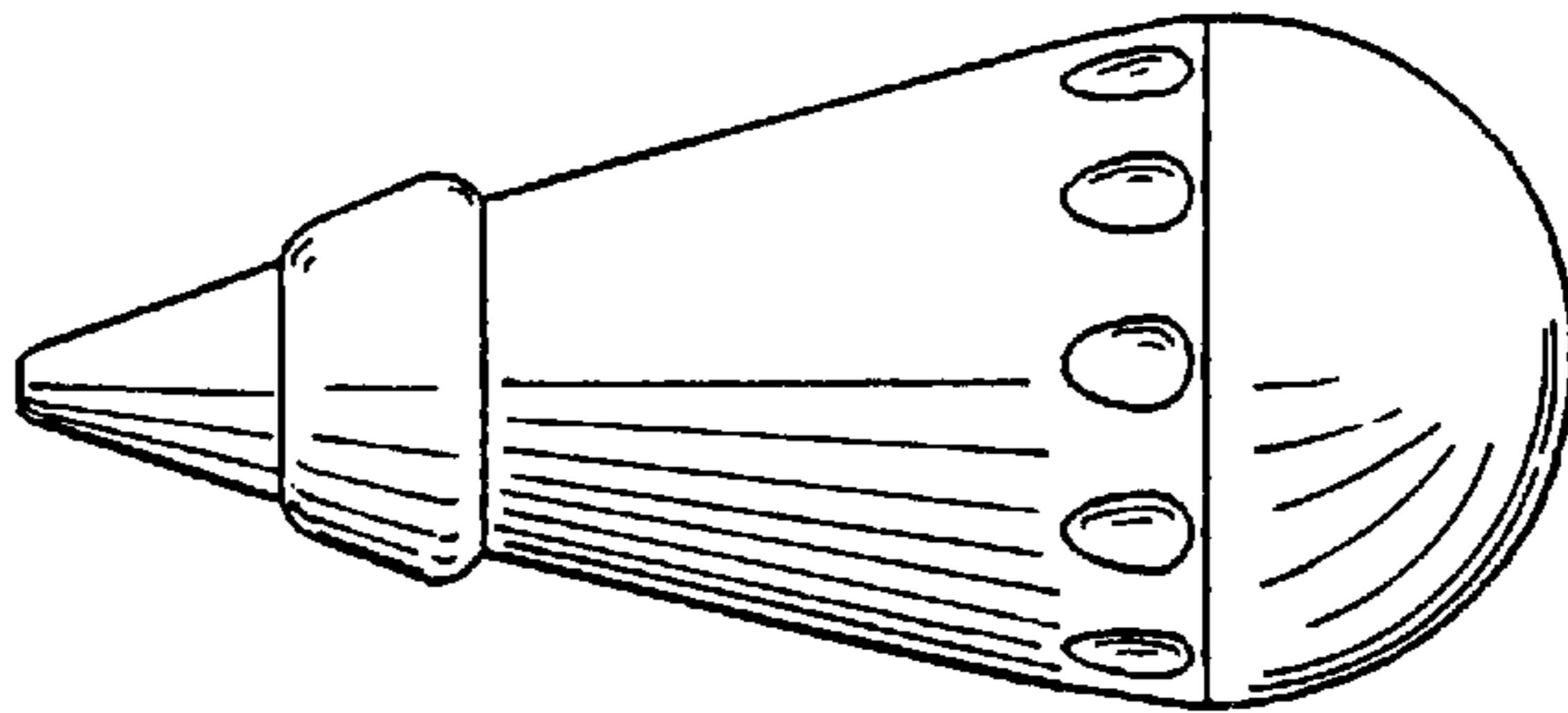


Fig. 5

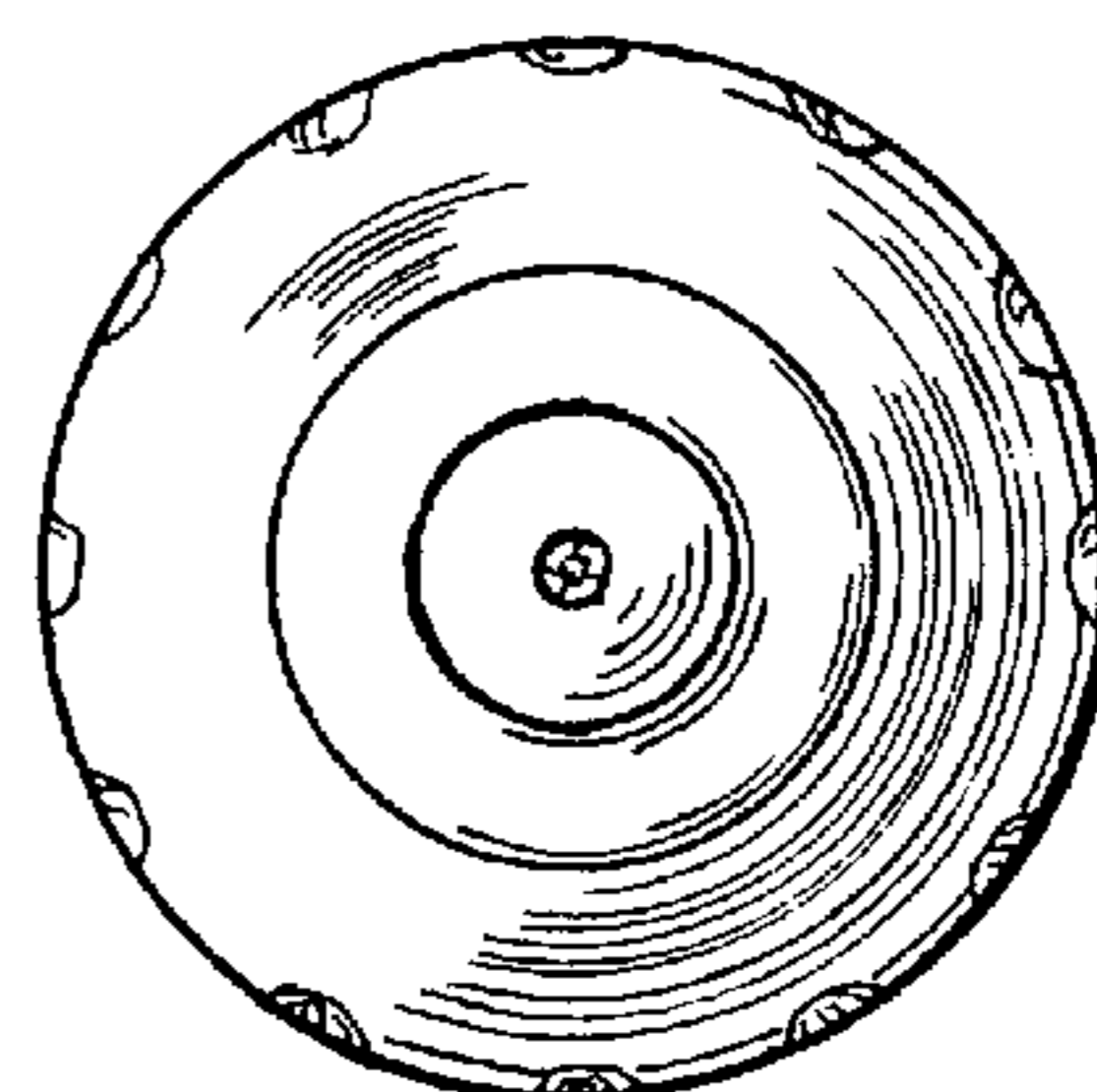


Fig. 6