



US00D407433S

United States Patent [19] Hodes

[11] Patent Number: Des. 407,433

[45] Date of Patent: ***Mar. 30, 1999

[54] **LOOSE-LEAF BINDER AND COVER**

[75] Inventor: **Deborah L. Hodes**, Front Royal, Va.

[73] Assignee: **Pen-Tab Industries, Inc.**, Front Royal, Va.

[*] Notice: The term of this patent shall not extend beyond the expiration date of Pat. No. Des. 393,874.

[**] Term: **14 Years**

[21] Appl. No.: **49,153**

[22] Filed: **Jan. 18, 1996**

[51] **LOC (6) Cl.** **19-04**

[52] **U.S. Cl.** **D19/27; D19/28**

[58] **Field of Search** D19/26, 27, 28, D19/75, 86, 90, 91, 99, 100; 40/124.1; 281/15.1, 21.1, 20, 27.1, 29, 30, 31, 44, 45, 51; 402/75, 79, 80

[56] **References Cited**

U.S. PATENT DOCUMENTS

- D. 38,967 12/1907 Kramer D19/6
- D. 154,536 7/1949 Forschner D19/28
- D. 184,004 12/1958 Chase D19/27
- D. 190,625 6/1961 Cox .
- D. 227,619 7/1973 Osher D19/27
- D. 259,749 7/1981 McDonald .
- D. 263,095 2/1982 Wajs et al. .
- D. 271,919 12/1983 Duffy .
- D. 278,859 5/1985 Katz et al. .
- D. 290,022 5/1987 Schafer .
- D. 292,989 12/1987 Gordon .
- D. 312,278 11/1990 Moor .
- D. 319,729 9/1991 Kogutt .
- D. 323,528 1/1992 Anderson .
- D. 324,877 3/1992 Schimmel D19/27

- D. 332,806 1/1993 Blimline D19/78
- D. 343,862 2/1994 Wyant .
- D. 348,901 7/1994 Mininno .
- D. 352,604 11/1994 Johnson .
- D. 354,767 1/1995 Ruskin .
- 4,838,724 6/1989 Spence, Jr. .
- 5,219,437 6/1993 Moor et al. .

OTHER PUBLICATIONS

1996 Spalding Catalog (©1995).

Primary Examiner—Martie K. Holtje
Attorney, Agent, or Firm—Finnegan, Henderson, Farabow, Garrett, & Dunner, L.L.P.

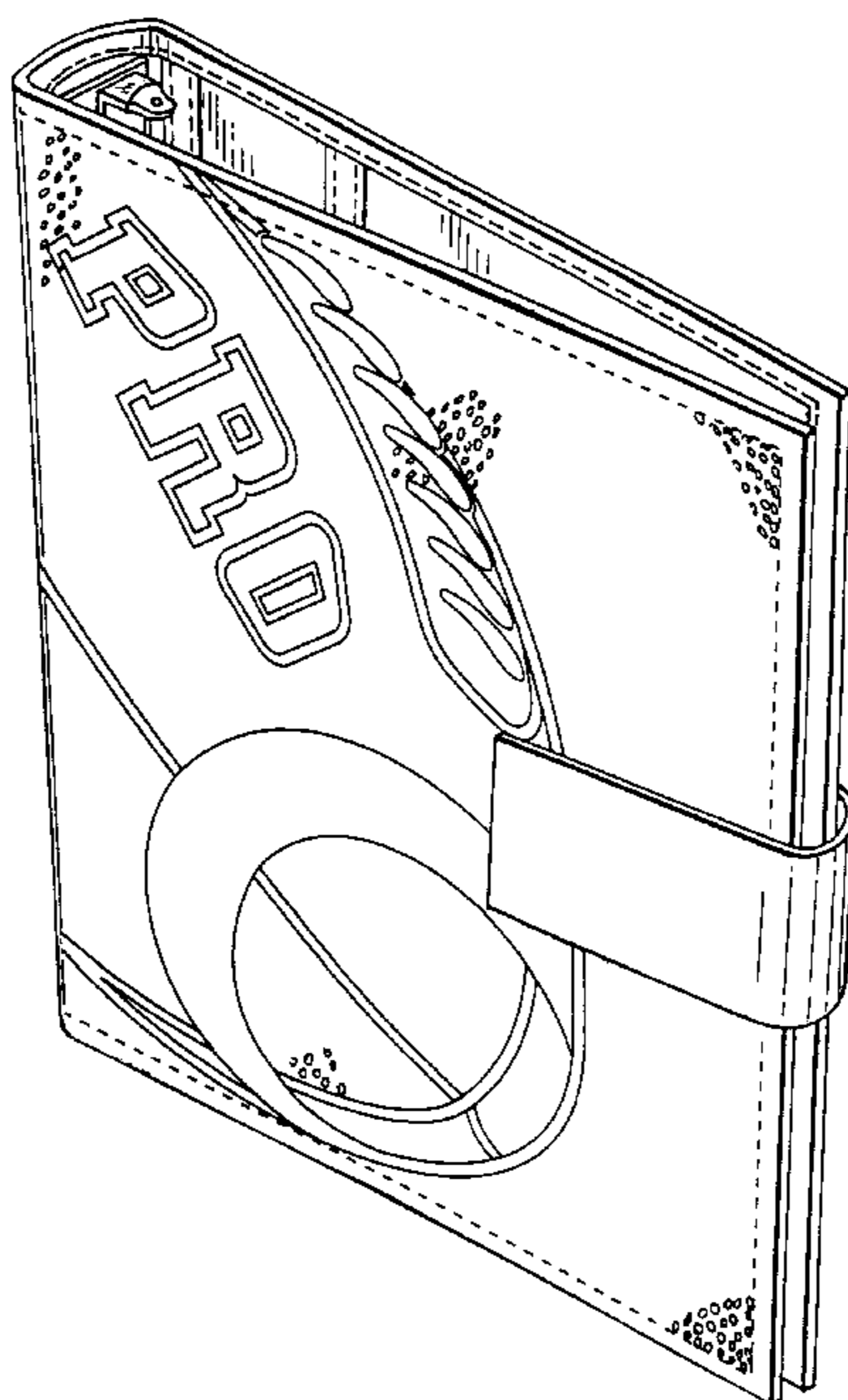
[57] **CLAIM**

The ornamental design for a loose-leaf binder and cover, as shown and described.

DESCRIPTION

FIG. 1 is a perspective view of a closed loose-leaf binder embodying my design;
 FIG. 2 is a front elevational view thereof;
 FIG. 3 is a rear elevational view thereof;
 FIG. 4 is a left elevational view thereof;
 FIG. 5 is a right elevational view thereof;
 FIG. 6 is a bottom plan view thereof;
 FIG. 7 is a top plan view thereof;
 FIG. 8 is a front elevational view of an open binder embodying my design;
 FIG. 9 is a rear elevational view thereof;
 FIG. 10 is an enlarged view showing the texture of the binder cover material; and,
 FIG. 11 is an enlarged cross-sectional view along line 11—11 in FIG. 10.
 For the sake of clarity, FIG. 11 only depicts the profiles of the texture nubs directly along line 11—11.

1 Claim, 6 Drawing Sheets



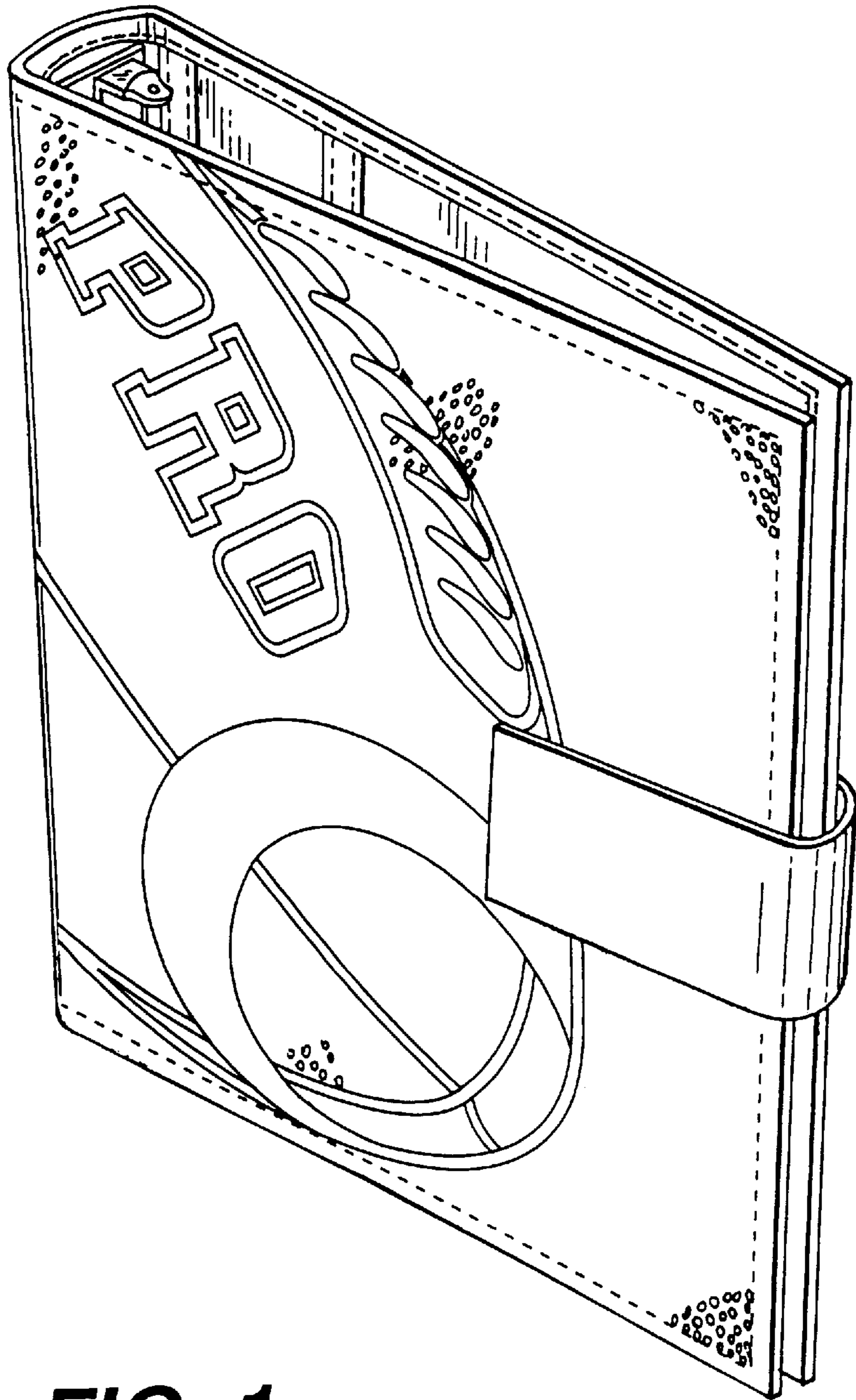


FIG. 1

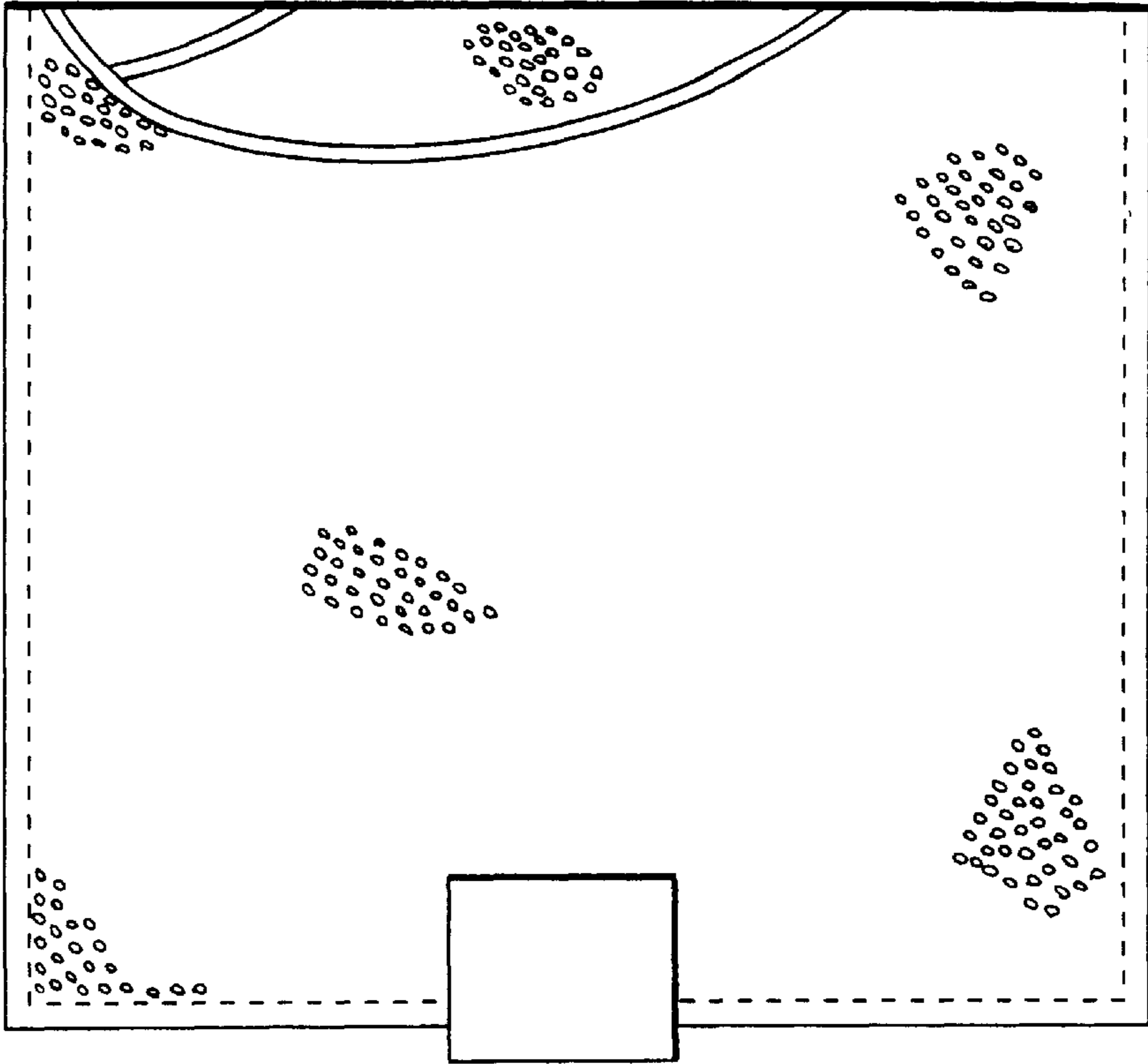


FIG. 3

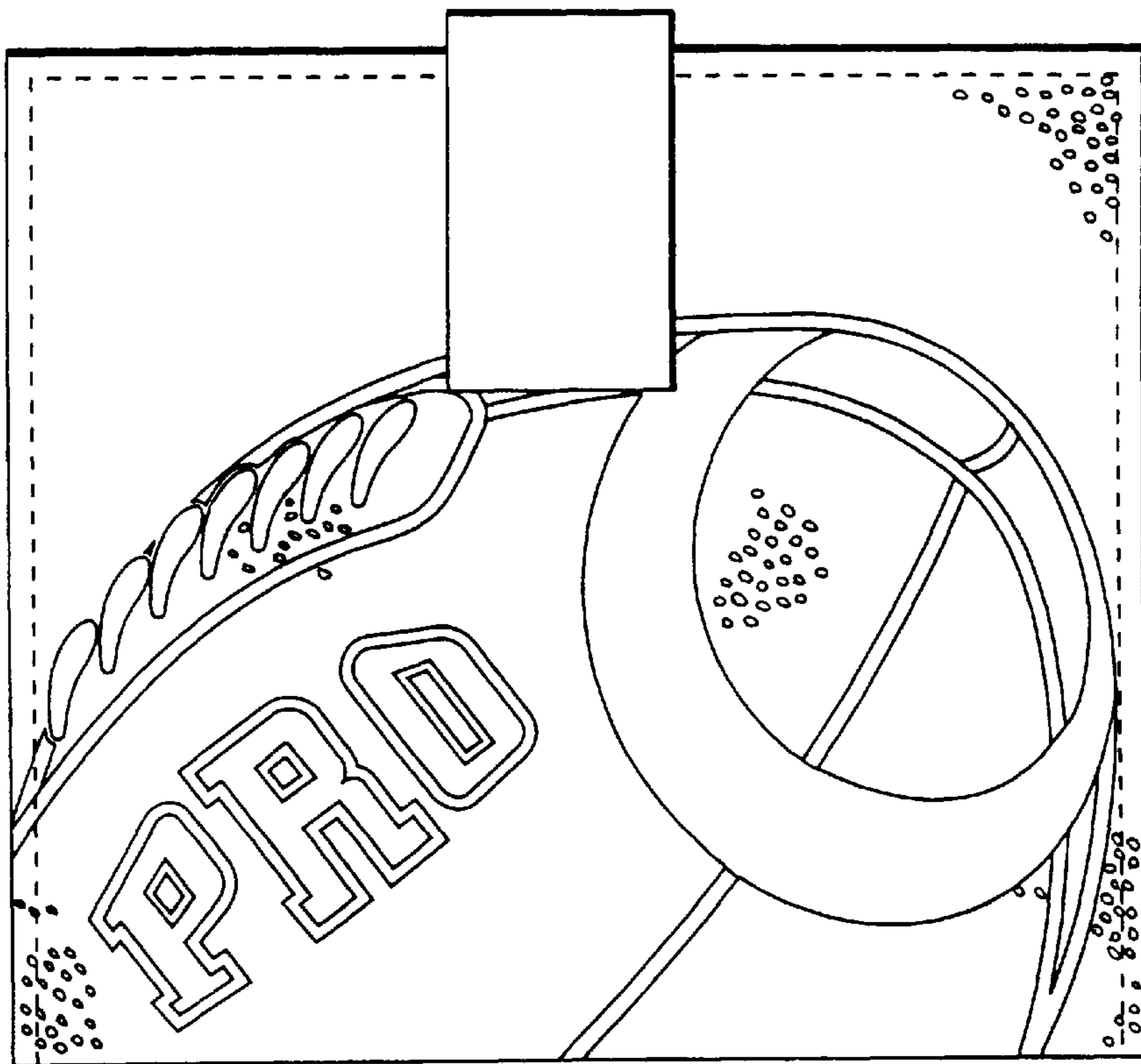


FIG. 2

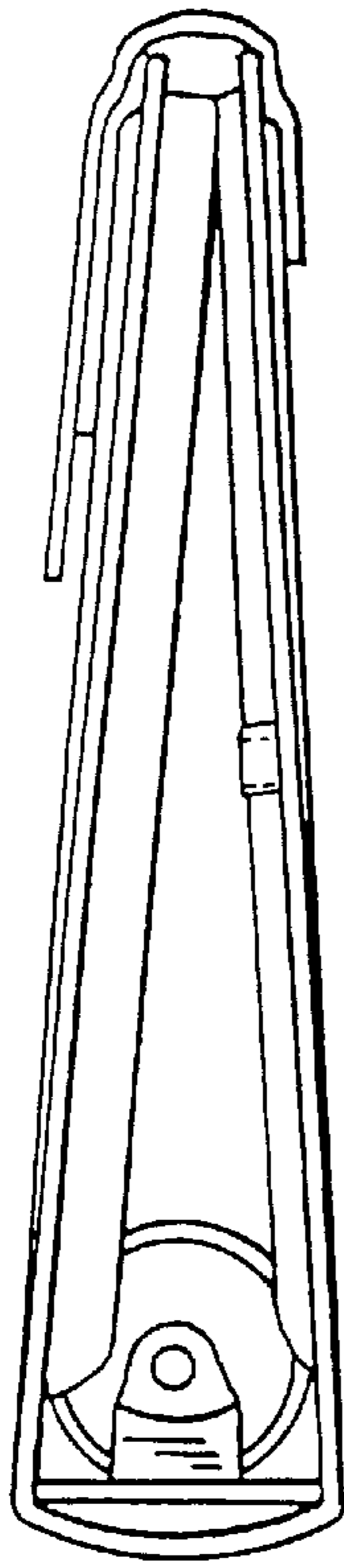


FIG. 6

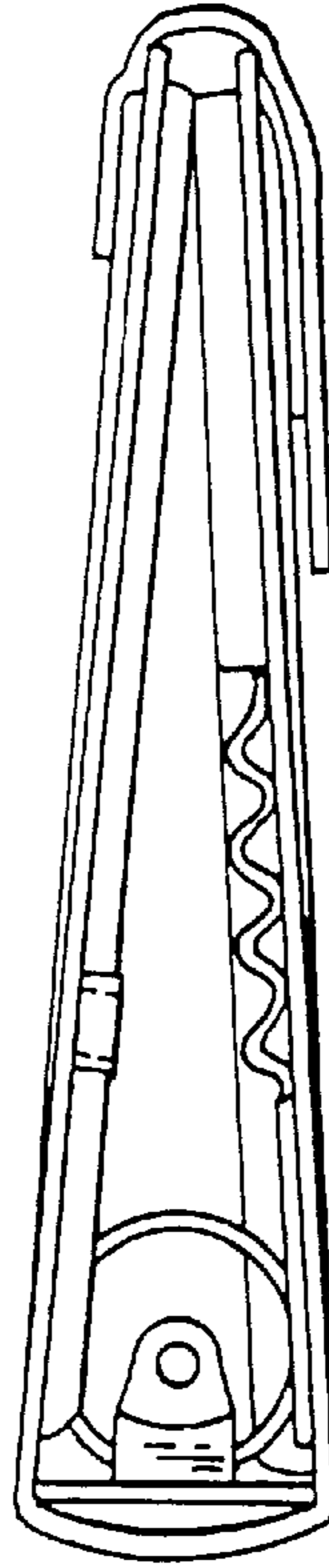


FIG. 7

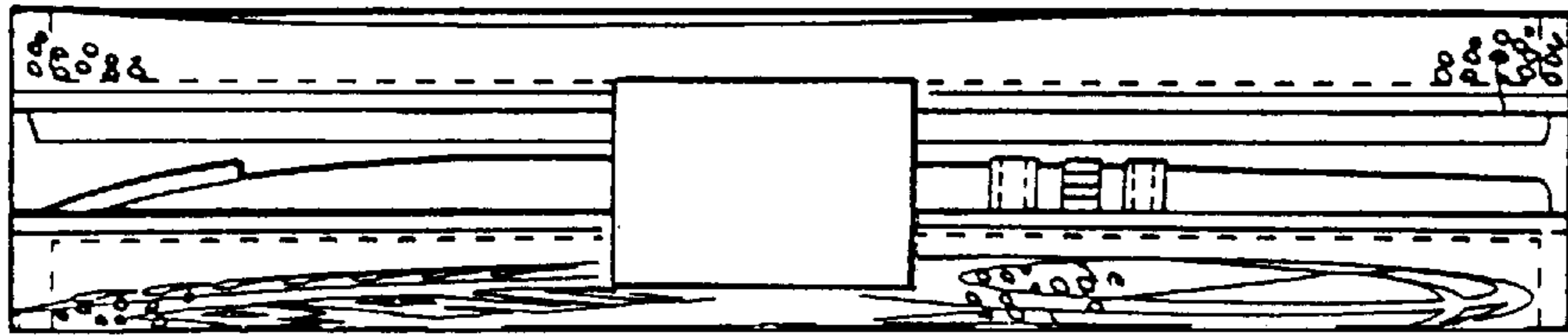


FIG. 5

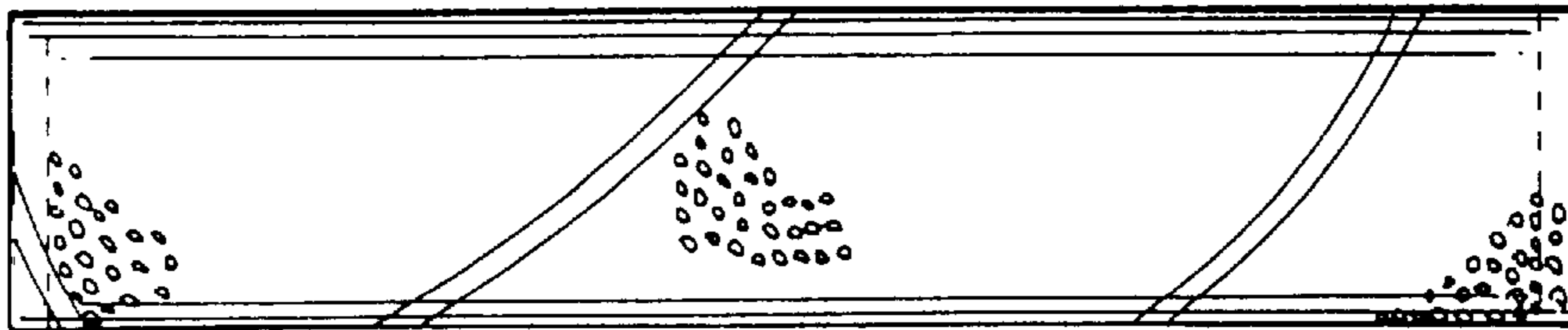


FIG. 4

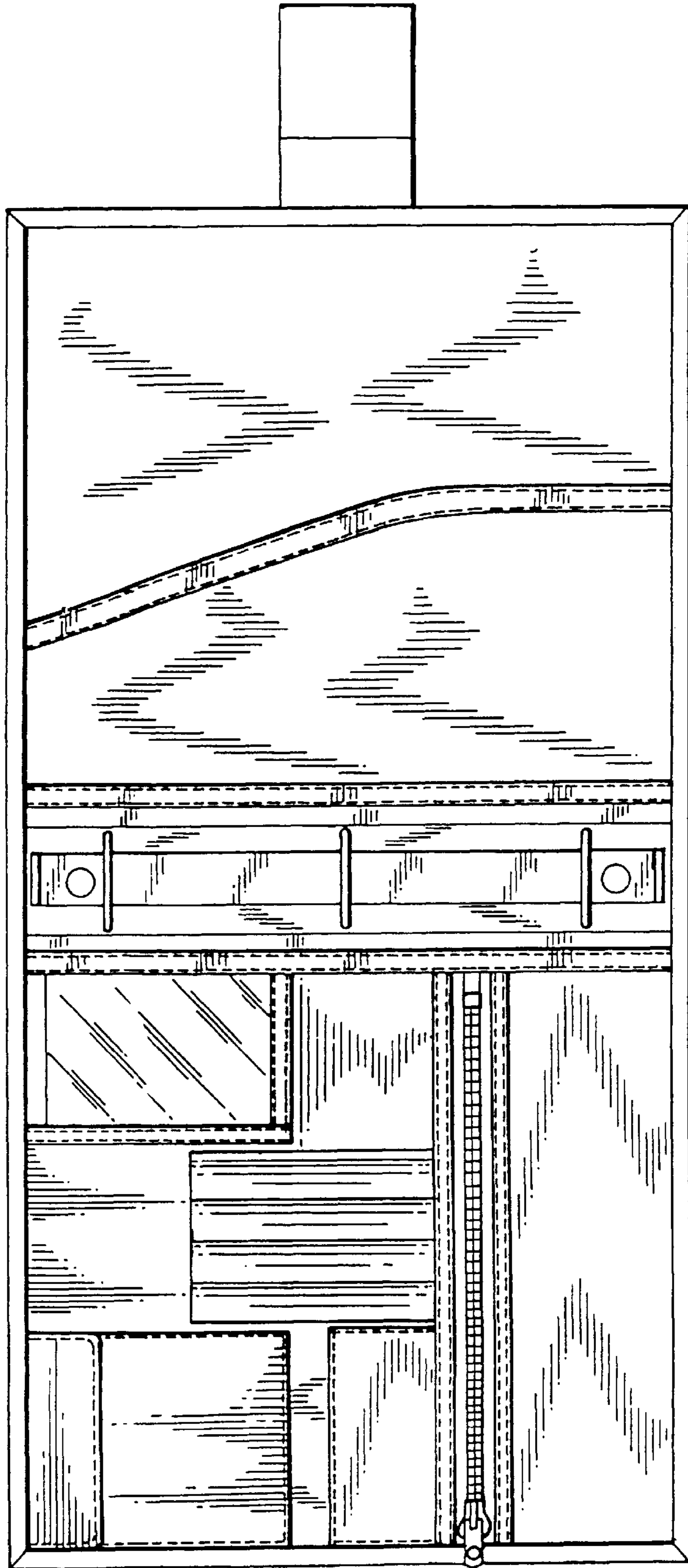


FIG. 8

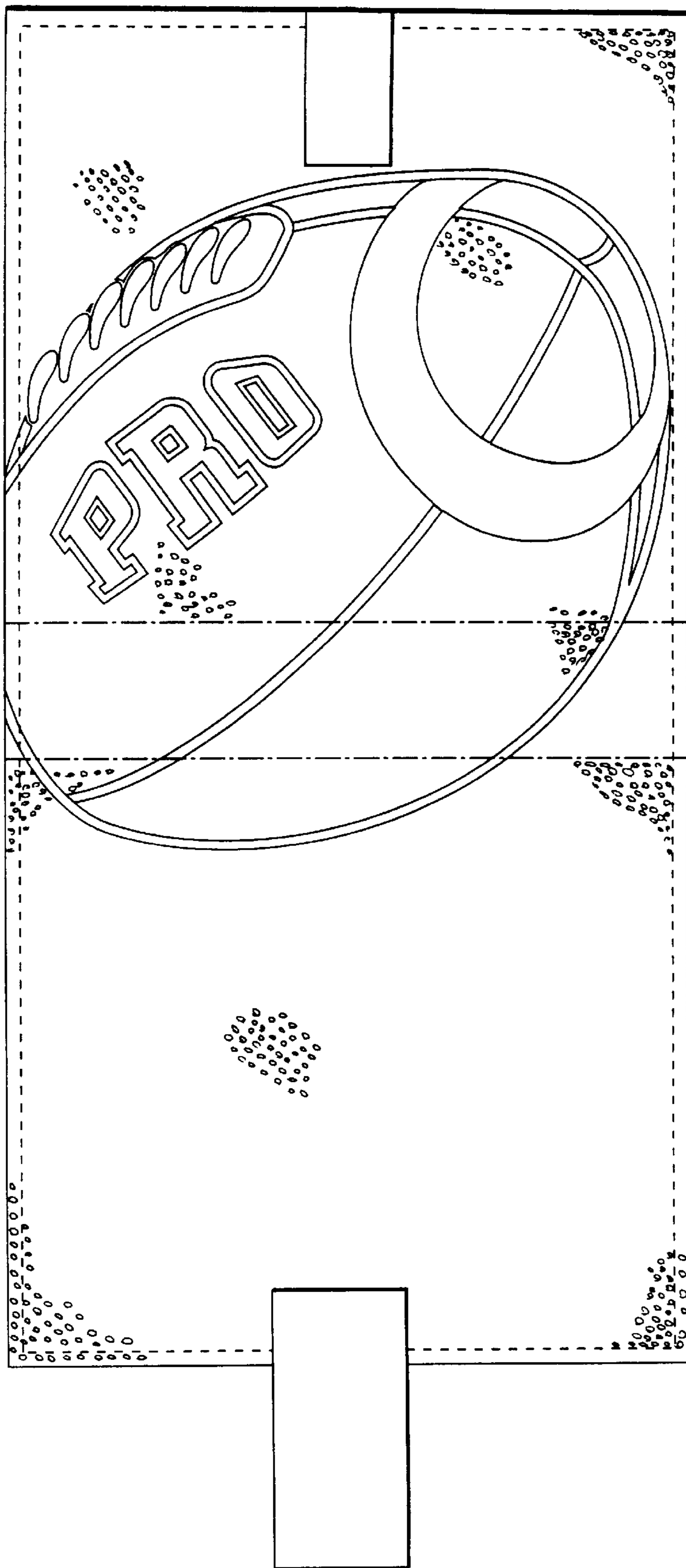


FIG. 9

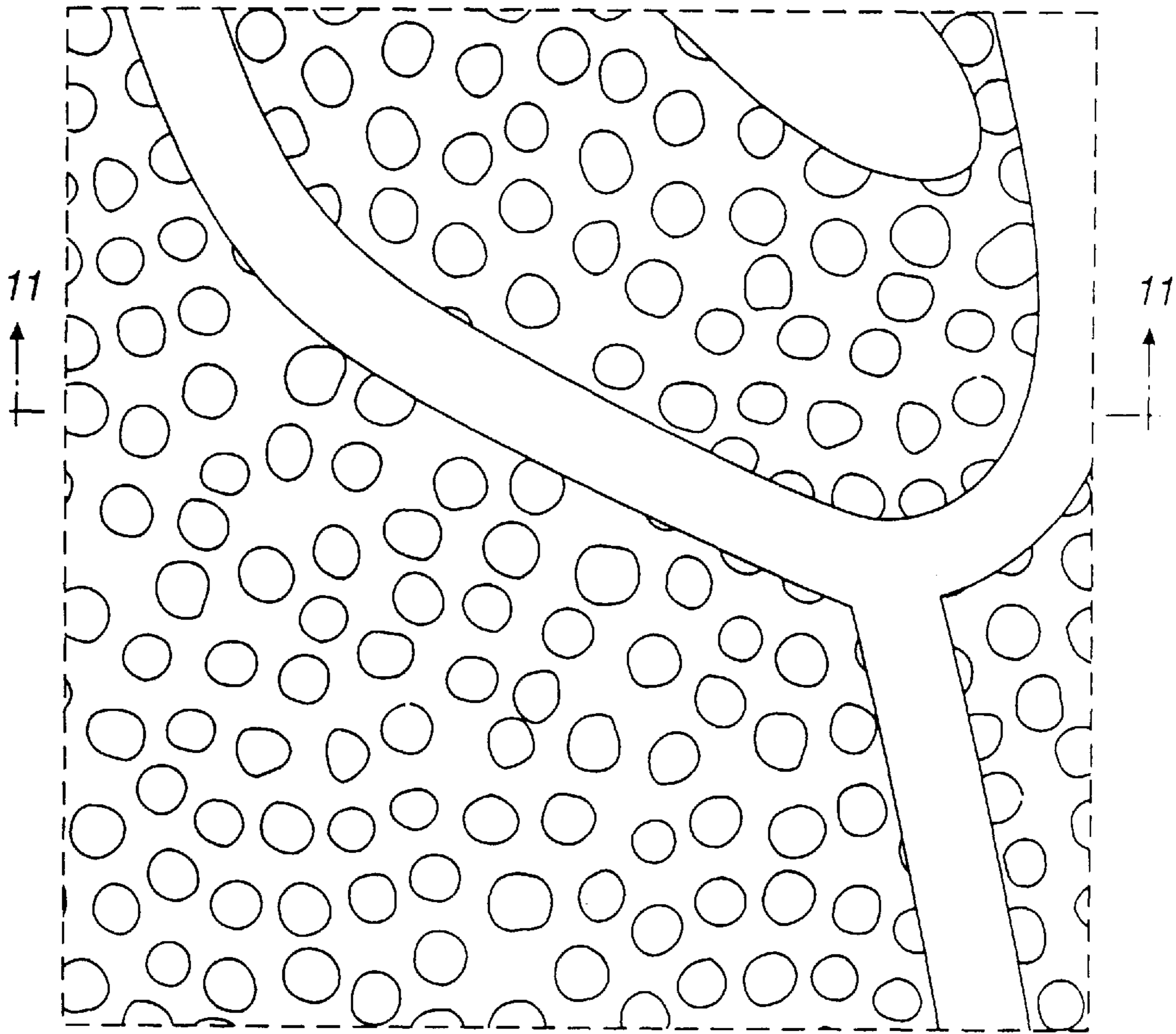


FIG. 10

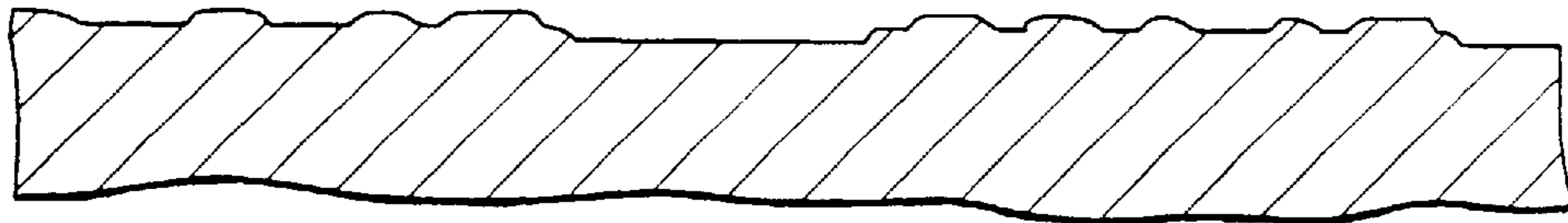


FIG. 11