



US00D407425S

United States Patent [19] Lin

[11] **Patent Number: Des. 407,425**

[45] **Date of Patent: **Mar. 30, 1999**

[54] **CAMERA**

[76] **Inventor: Scott Lin**, 4F-2, No. 123, Taichung Harbor Road, Sec. 3, Taichung, Taiwan

[**] **Term: 14 Years**

[21] **Appl. No.: 83,221**

[22] **Filed: Feb. 4, 1998**

[51] **LOC (6) Cl. 16-01**

[52] **U.S. Cl. D16/209; D16/211**

[58] **Field of Search D16/200-205, D16/208, 209, 211-213, 216-218; 396/348, 349, 178, 535-543**

[56] **References Cited**

U.S. PATENT DOCUMENTS

D. 327,899	7/1992	Goldstein et al.	D16/209
D. 358,831	5/1995	Kozu	D16/209
D. 390,587	2/1998	Schelling et al.	D16/209
5,270,754	12/1993	Newman	396/178

OTHER PUBLICATIONS

Best Spring Catalog, p. 70 (Kodak's VR35 K-12 camera, Item 8), 1986.

Primary Examiner—Philip S. Hyder
Assistant Examiner—Adir Aronovich
Attorney, Agent, or Firm—Charles E. Baxley, Esq.

[57] **CLAIM**

The ornamental design for a camera, as shown and described.

DESCRIPTION

FIG. 1 is a front elevational view of a camera showing my new design;

FIG. 2 is a rear elevational view thereof;

FIG. 3 is a left side elevational view thereof;

FIG. 4 is a right side elevational view thereof;

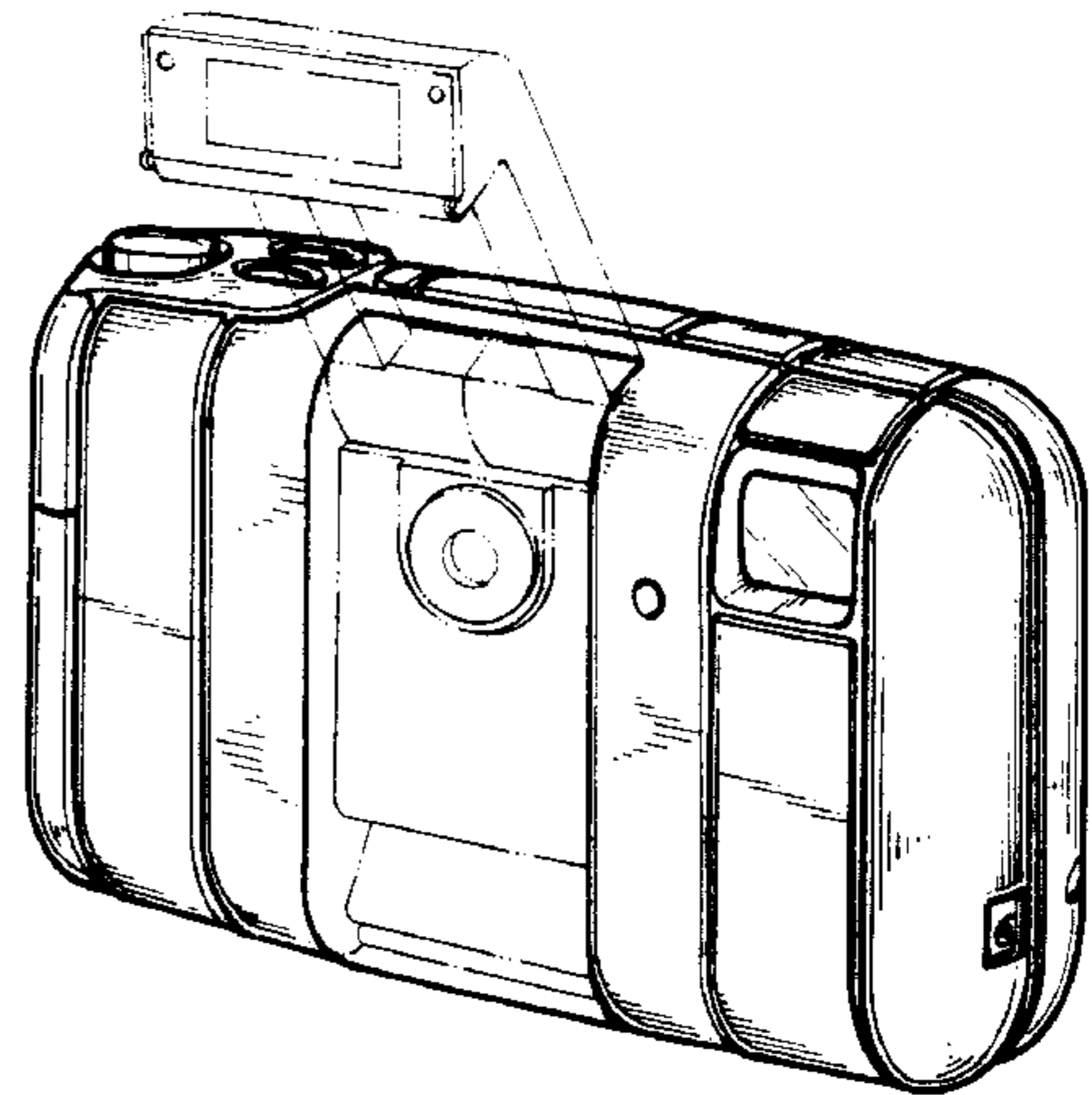
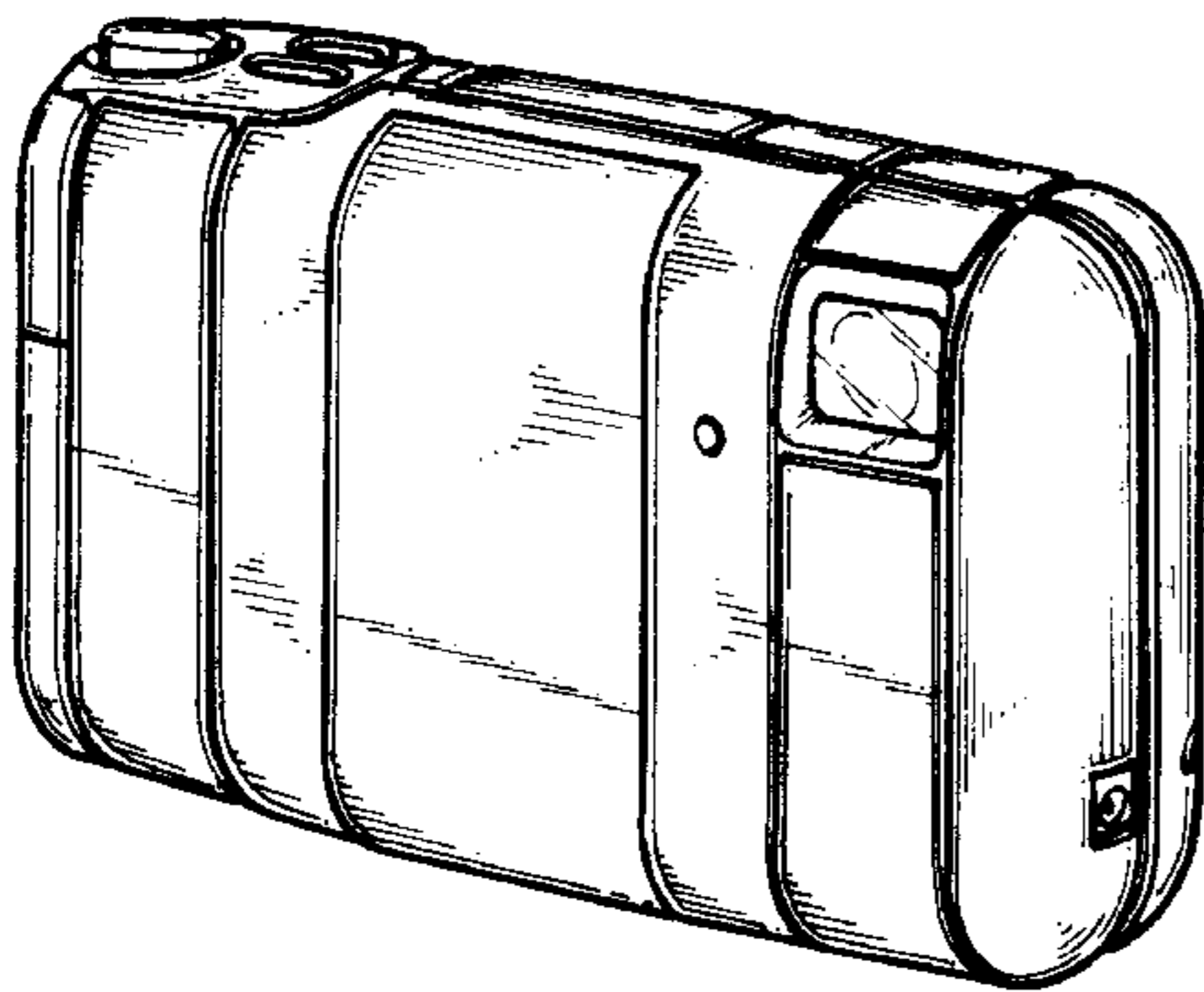
FIG. 5 is a top plan view thereof;

FIG. 6 is a bottom plan view thereof; and

FIG. 7 is a perspective view thereof; and,

FIG. 8 is a perspective view thereof, with the camera in an opened position. The broken lines are shown for illustrative purposes only and form no part of the claimed design.

1 Claim, 8 Drawing Sheets



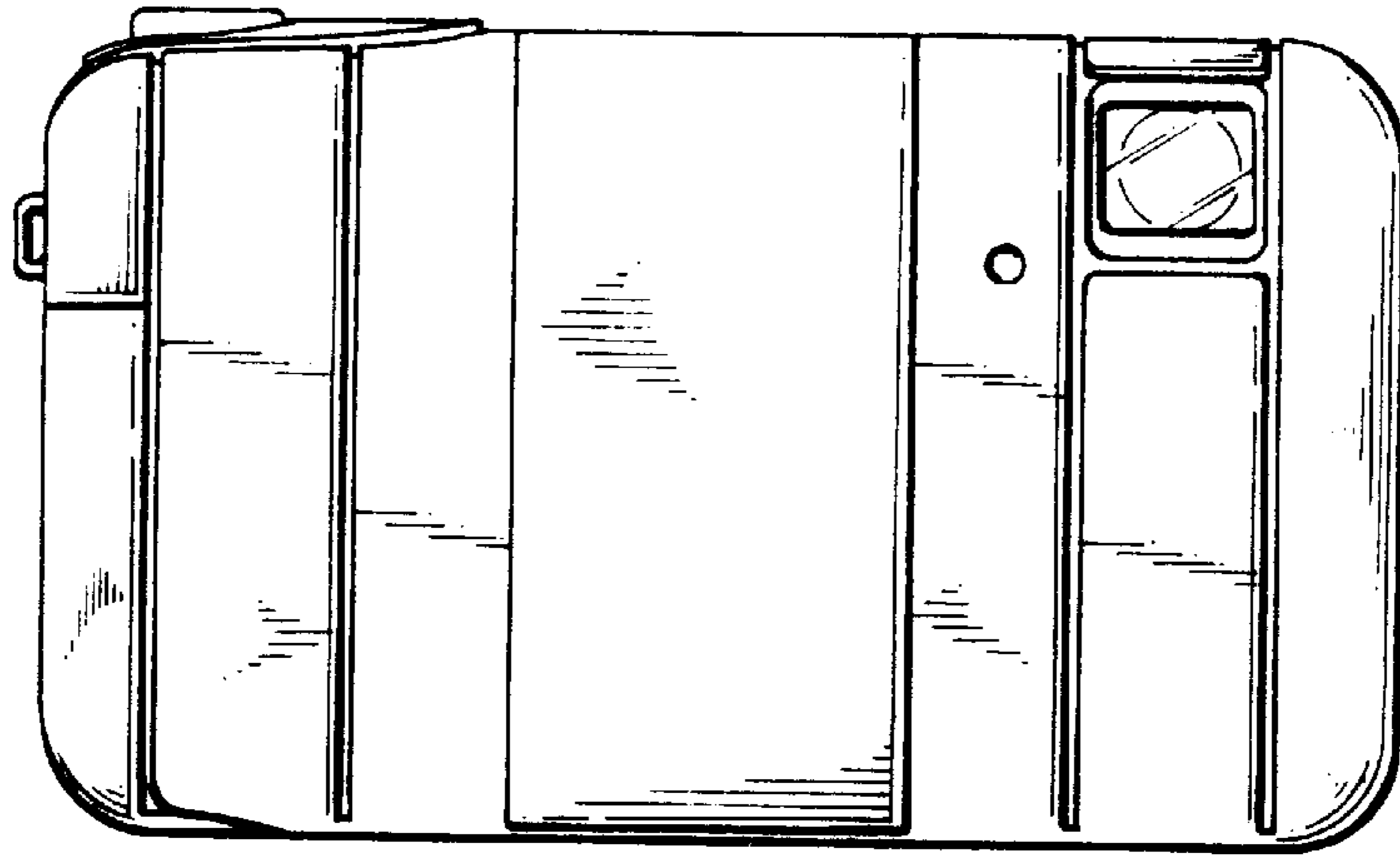


FIG. 1

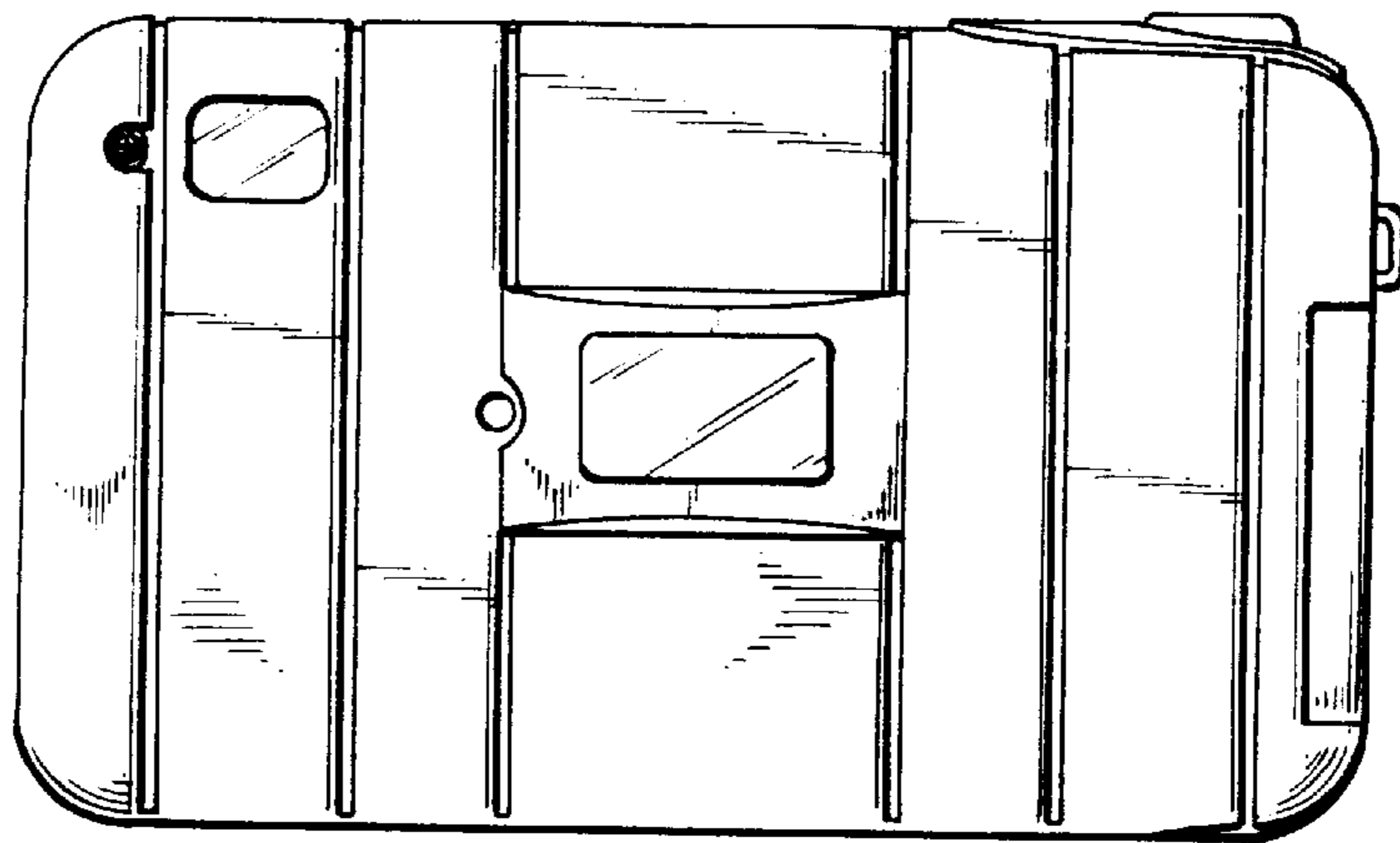


FIG. 2

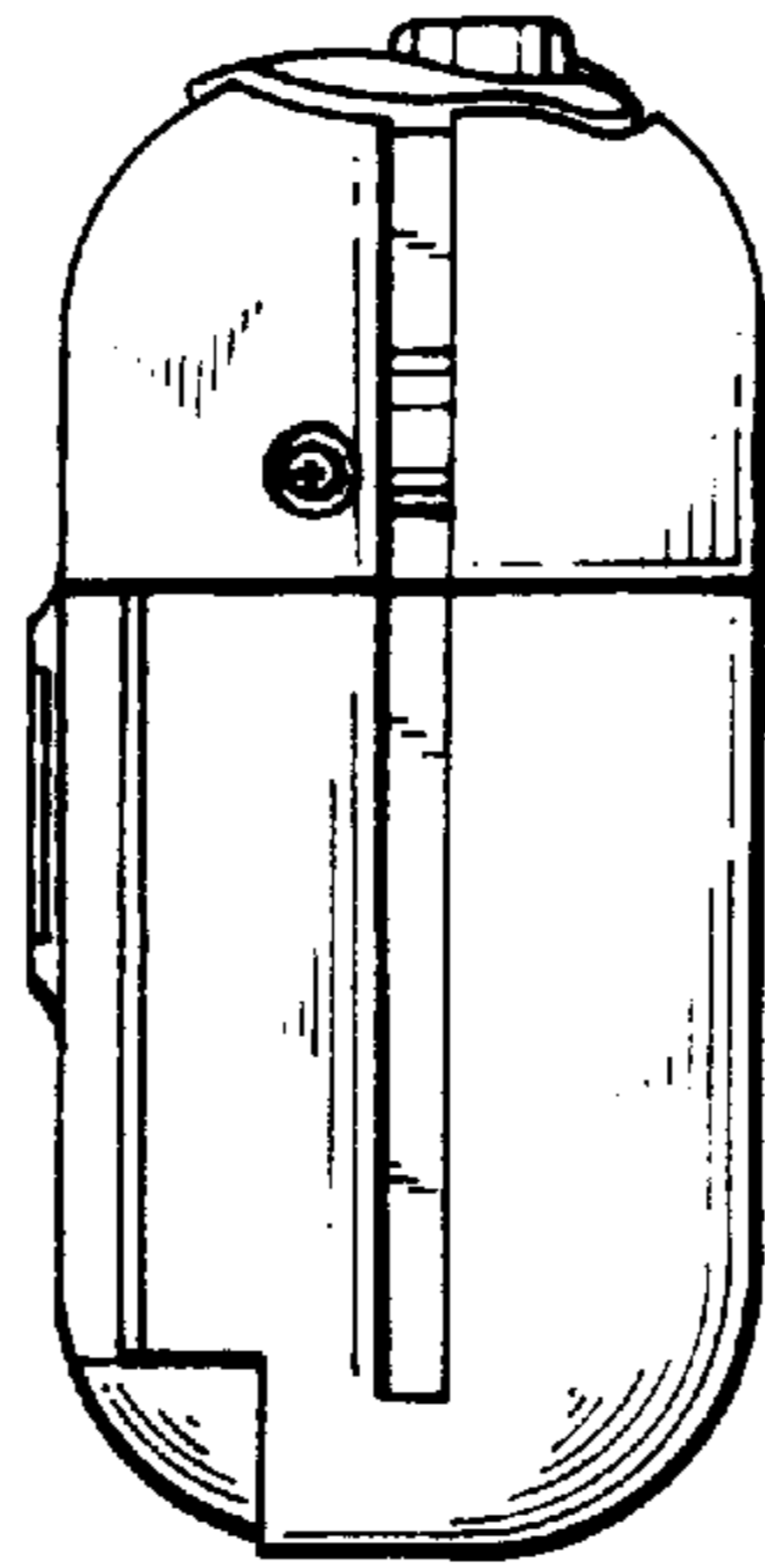


FIG. 3

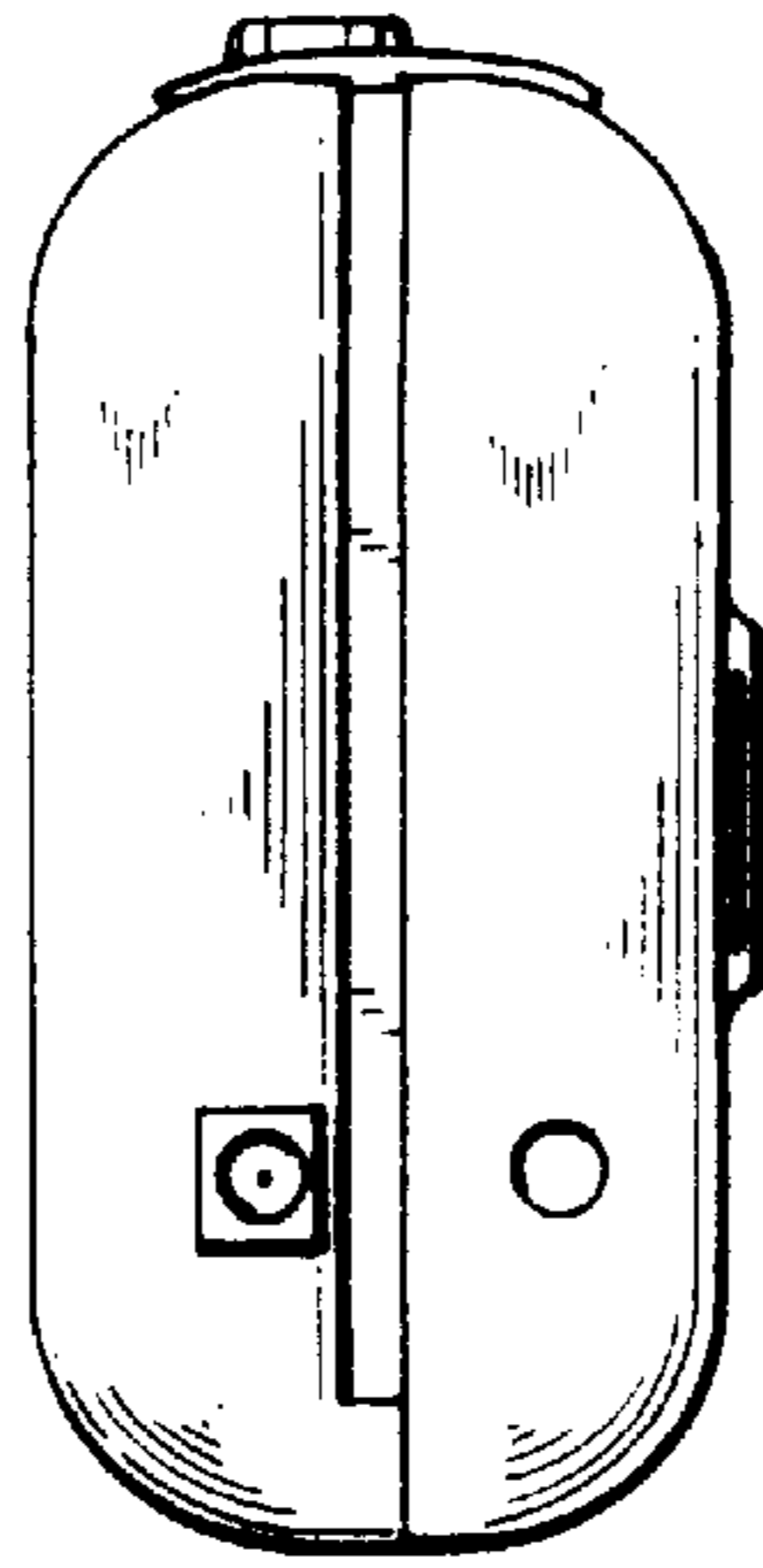


FIG. 4

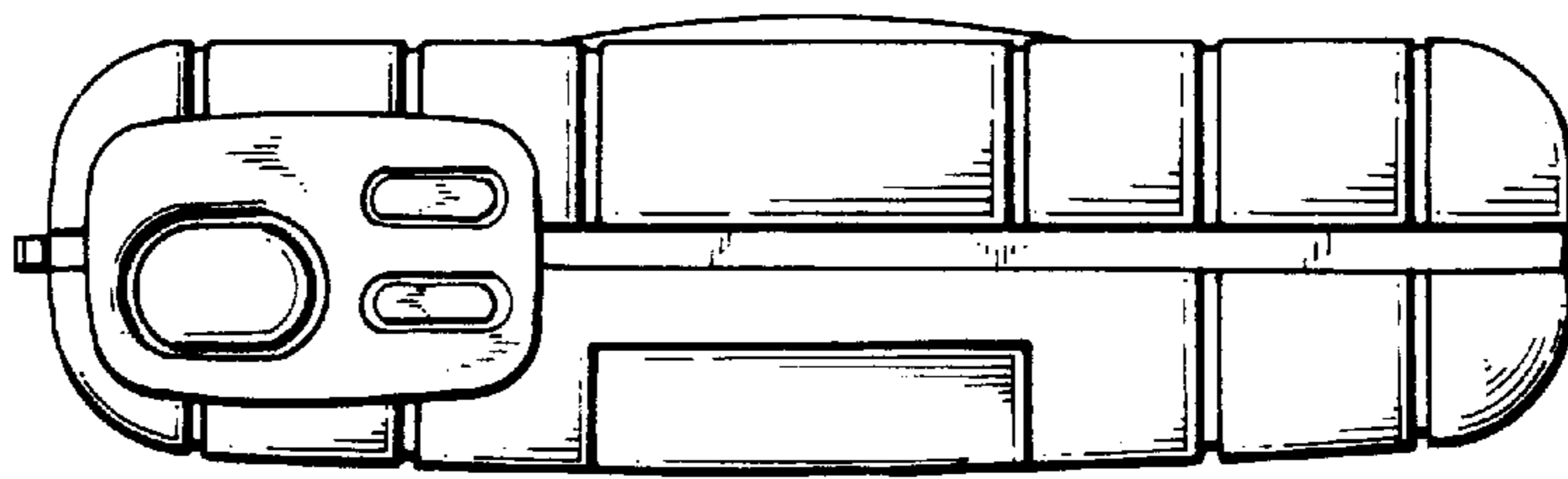


FIG. 5

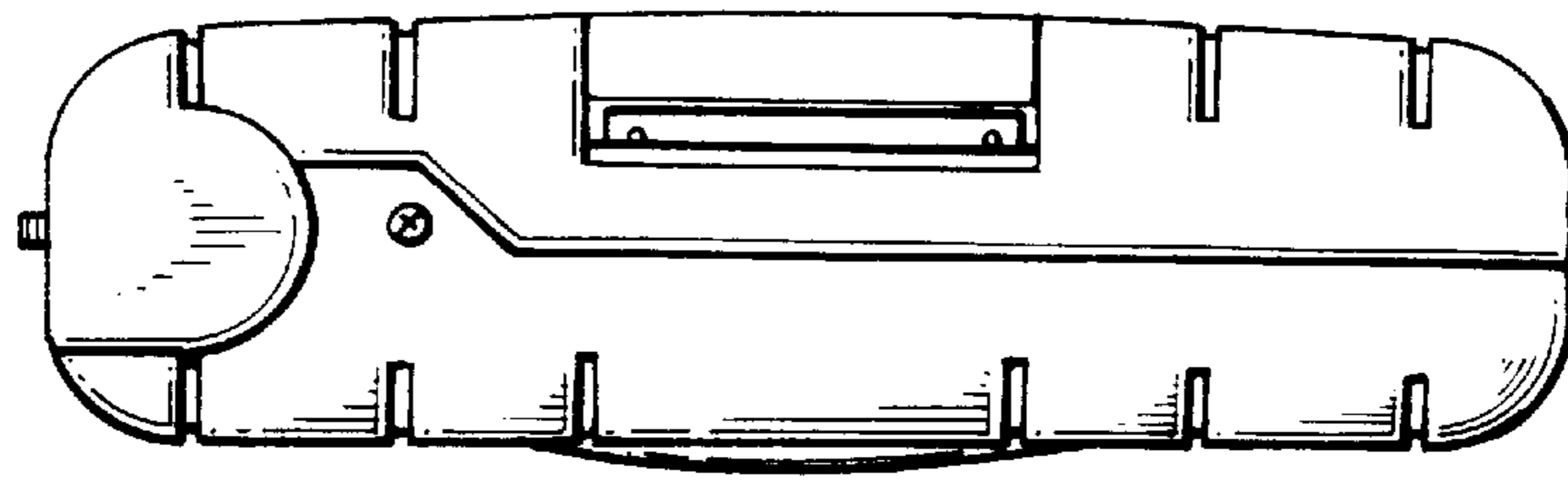


FIG. 6

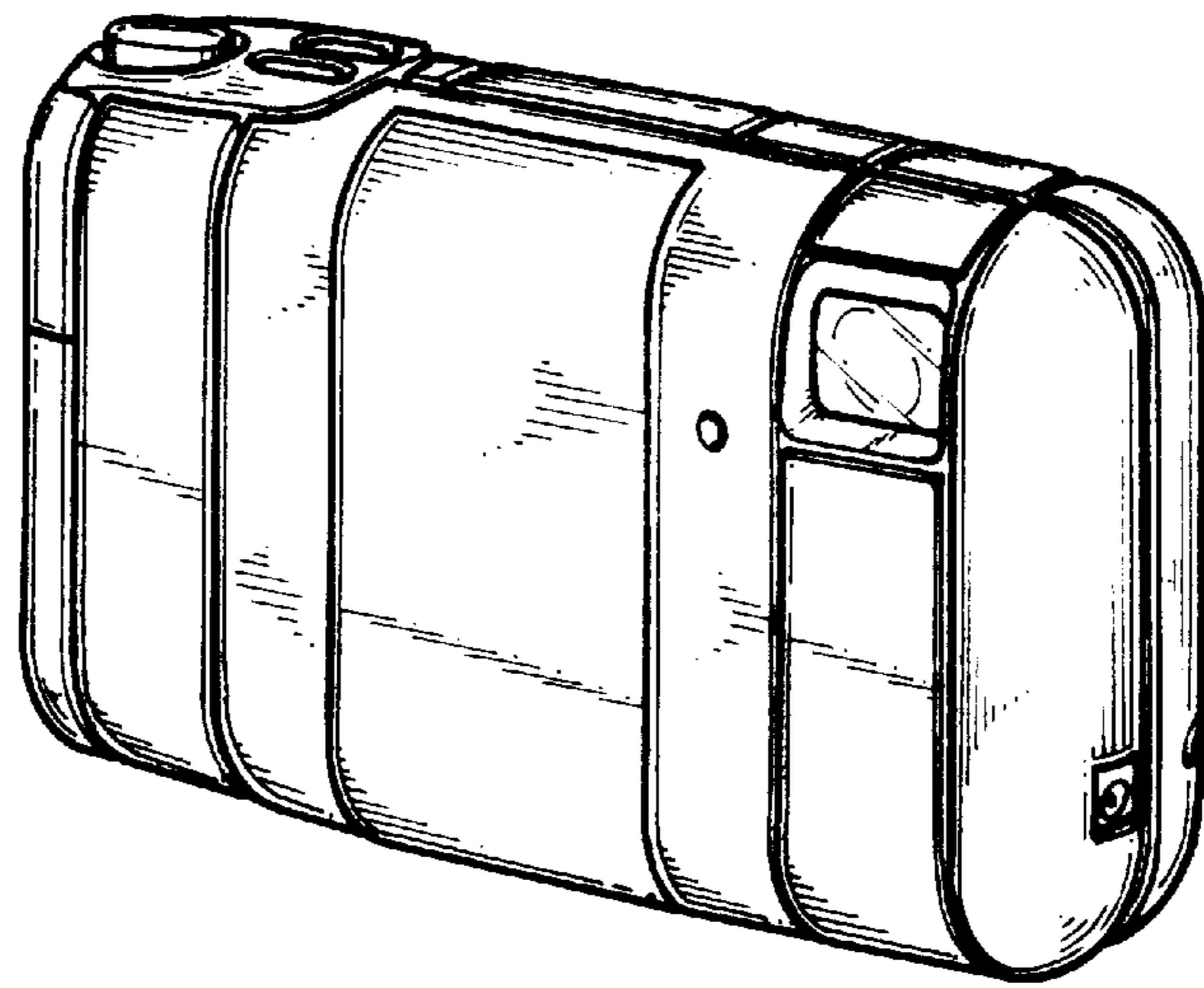


FIG. 7

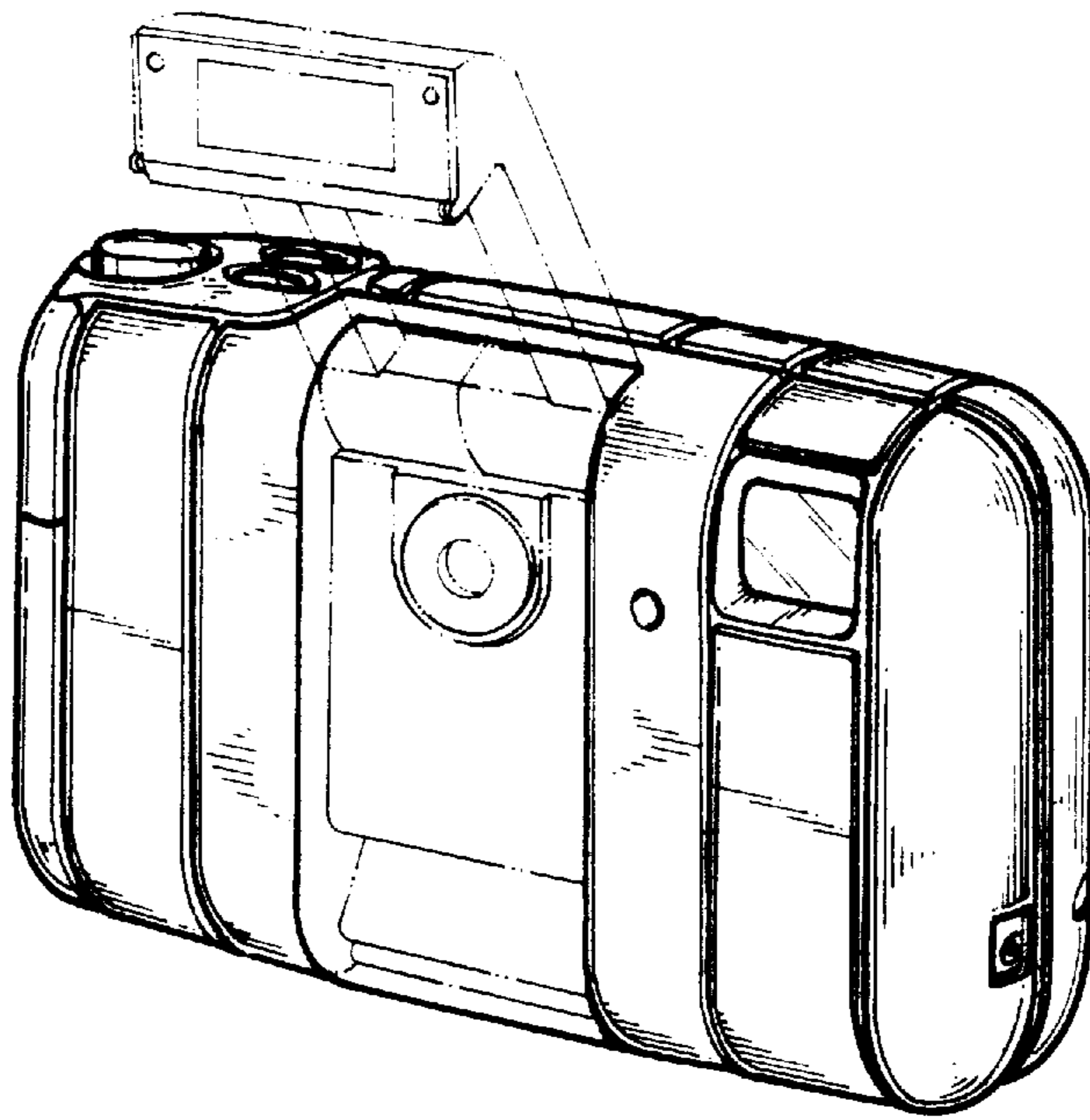


FIG. 8