



US00D407424S

United States Patent [19]

Nakamura

[11] Patent Number: Des. 407,424

[45] Date of Patent: **Mar. 30, 1999

[54] COMBINED VIDEO CAMERA AND TAPE RECORDER

[75] Inventor: Toshihiro Nakamura, Tokyo, Japan

[73] Assignee: Sony Corporation, Tokyo, Japan

[**] Term: 14 Years

[21] Appl. No.: 70,767

[22] Filed: May 15, 1997

[30] Foreign Application Priority Data

Feb. 24, 1997 [JP] Japan 9-5156

[51] LOC (6) Cl. 16-01

[52] U.S. Cl. D16/202

[58] Field of Search D16/200-208;
348/373-376; 352/242, 243; 358/906; 396/535-543

[56] References Cited

U.S. PATENT DOCUMENTS

D. 316,555	4/1991	Ooi et al.	D16/202
D. 355,664	2/1995	Kataoka	D16/202
D. 365,586	12/1995	Miyashita	D16/202
D. 375,108	10/1996	Harata	D16/202
D. 380,764	7/1997	Ishii	D16/202
D. 381,995	8/1997	Sumita	D16/202
D. 381,996	8/1997	Kobayashi	D16/202
D. 385,568	10/1997	Harata	D16/202
5,499,052	3/1996	Nakanishi et al.	348/373

OTHER PUBLICATIONS

Sony, "Handycam Catalog", Jun. 1996.
Video Magazine, p. 91 (Hitachi VMH-39A), Jan. 1993.

Primary Examiner—Ted Shooman
Assistant Examiner—Adir Aronovich
Attorney, Agent, or Firm—Foley & Lardner

[57] CLAIM

The ornamental design for a combined video camera and tape recorder, as shown and described.

DESCRIPTION

FIG. 1 is a perspective view of a first embodiment of a combined video camera and tape recorder showing my new design;

FIG. 2 is a perspective view thereof wherein the cover portion is in the open position, the interior portion shown in broken lines is for illustrative purposes only and forms no part of claimed design;

FIG. 3 is a top plan view thereof;

FIG. 4 is a left side elevational view thereof;

FIG. 5 is a front elevational view thereof;

FIG. 6 is a bottom plan view thereof;

FIG. 7 is a right side elevational view thereof;

FIG. 8 is a rear elevational view thereof;

FIG. 9 is a perspective view of a second embodiment of a combined video camera and tape recorder showing my new design;

FIG. 10 is a perspective view of the embodiment of FIG. 9 wherein the cover portion is in the open position, the interior portion shown in broken lines is for illustrative purposes only and forms no part of claimed design;

FIG. 11 is a top plan view of the embodiment of FIG. 9;

FIG. 12 is a left side elevational view of the embodiment of FIG. 9;

FIG. 13 is a front elevational view of the embodiment of FIG. 9;

FIG. 14 is a bottom plan view of the embodiment of FIG. 9;

FIG. 15 is a right side elevational view of the embodiment of FIG. 9; and,

FIG. 16 is a rear elevational view of the embodiment of FIG. 9.

1 Claim, 6 Drawing Sheets

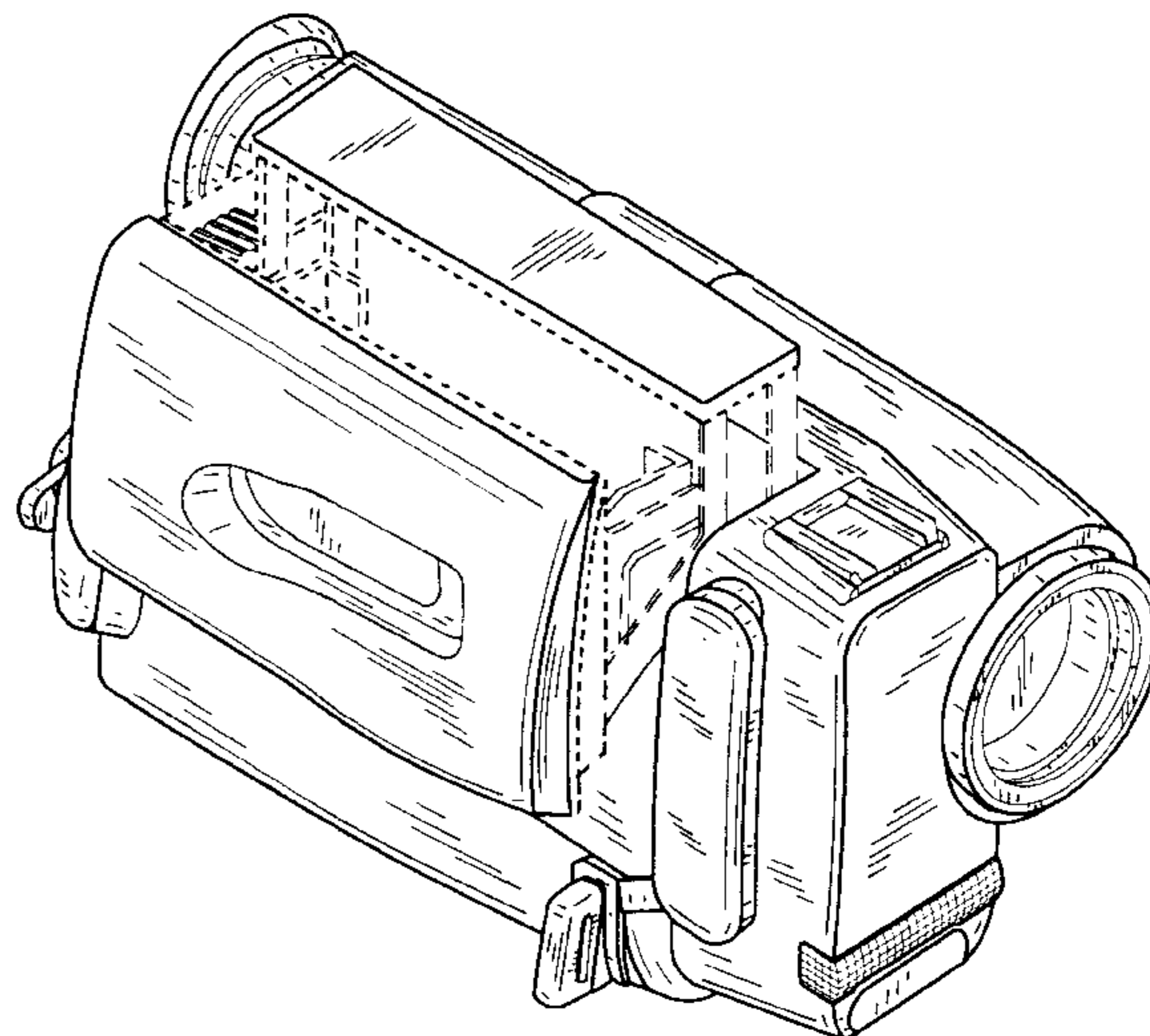
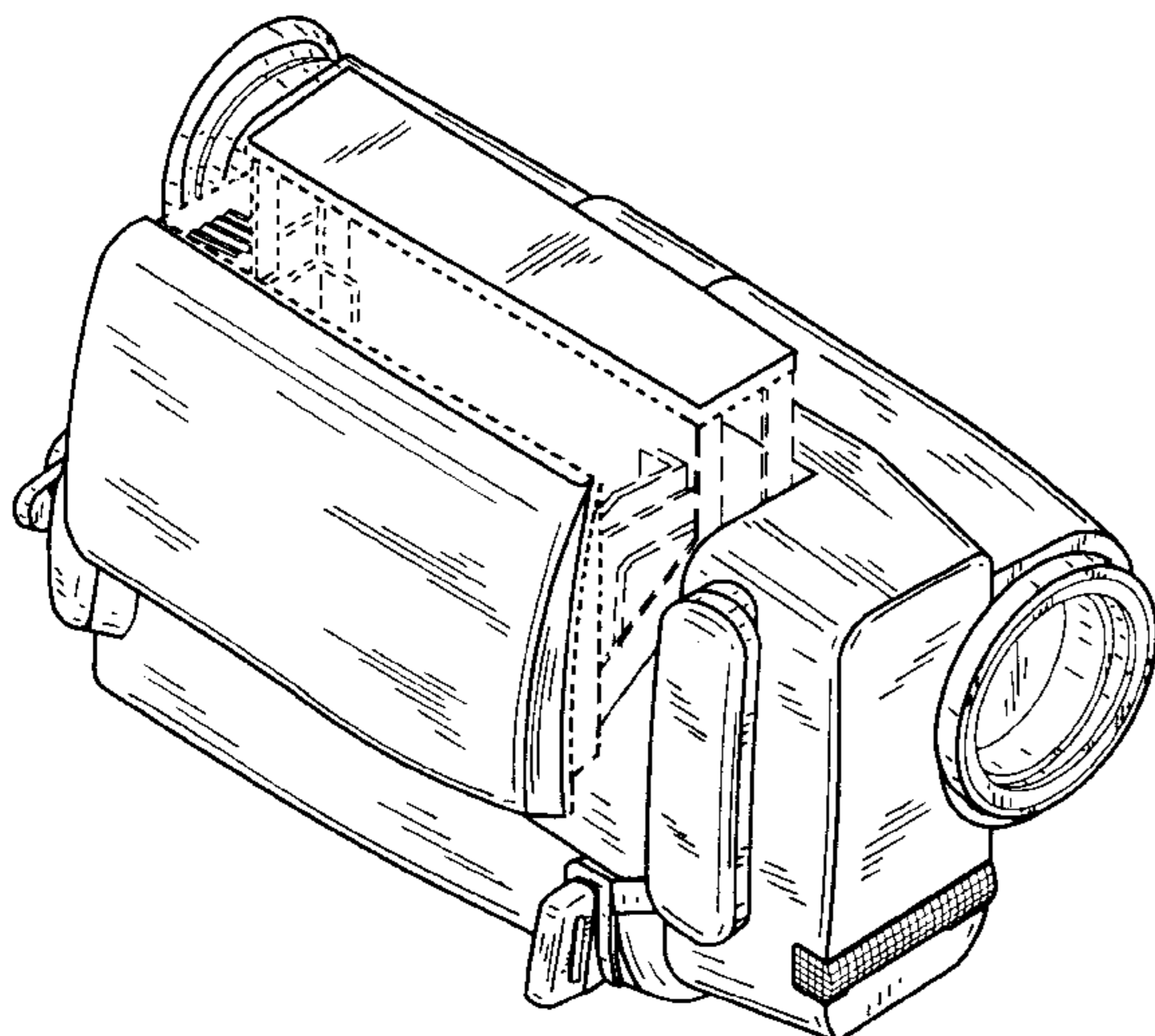


FIG.2

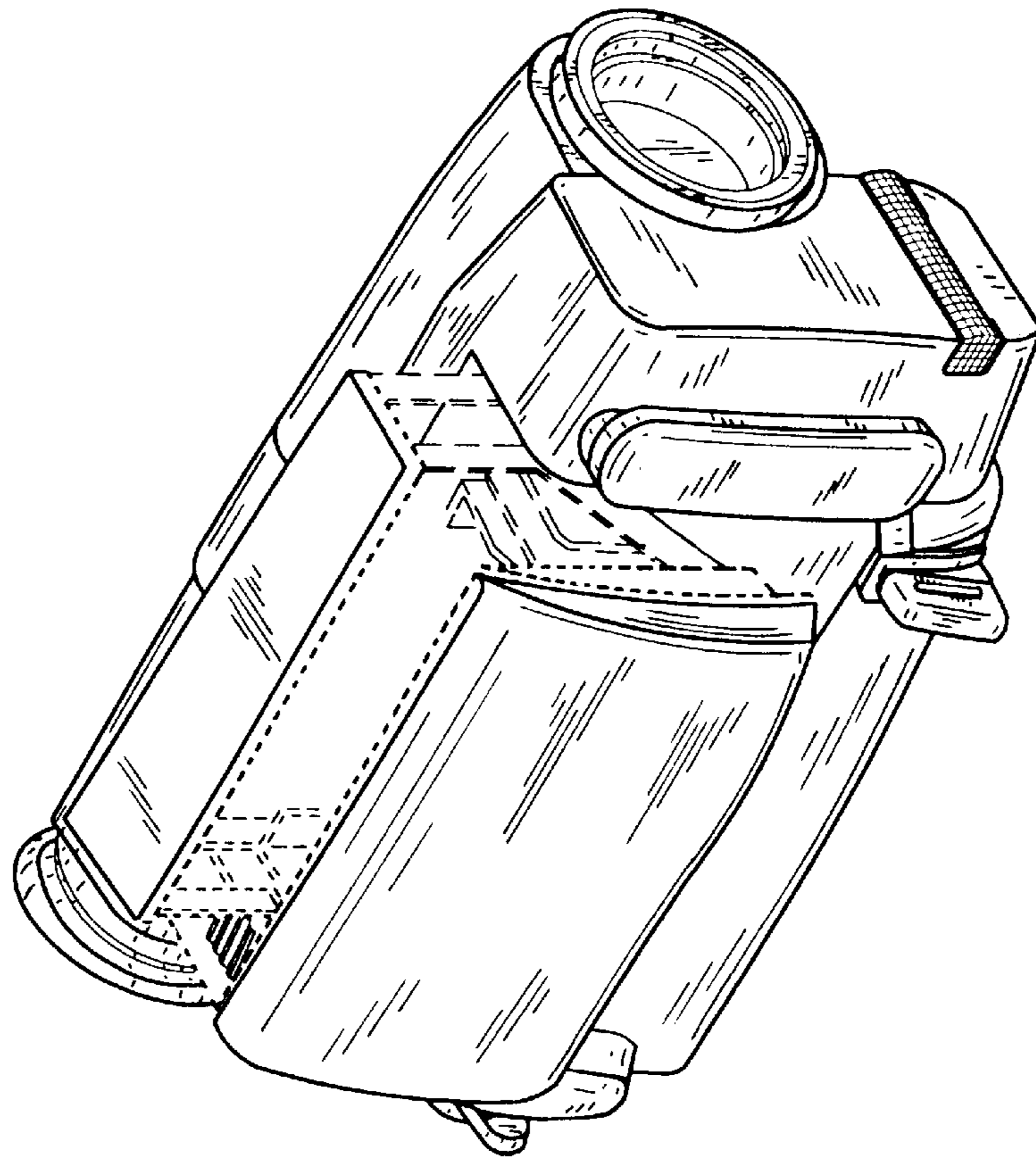


FIG.1

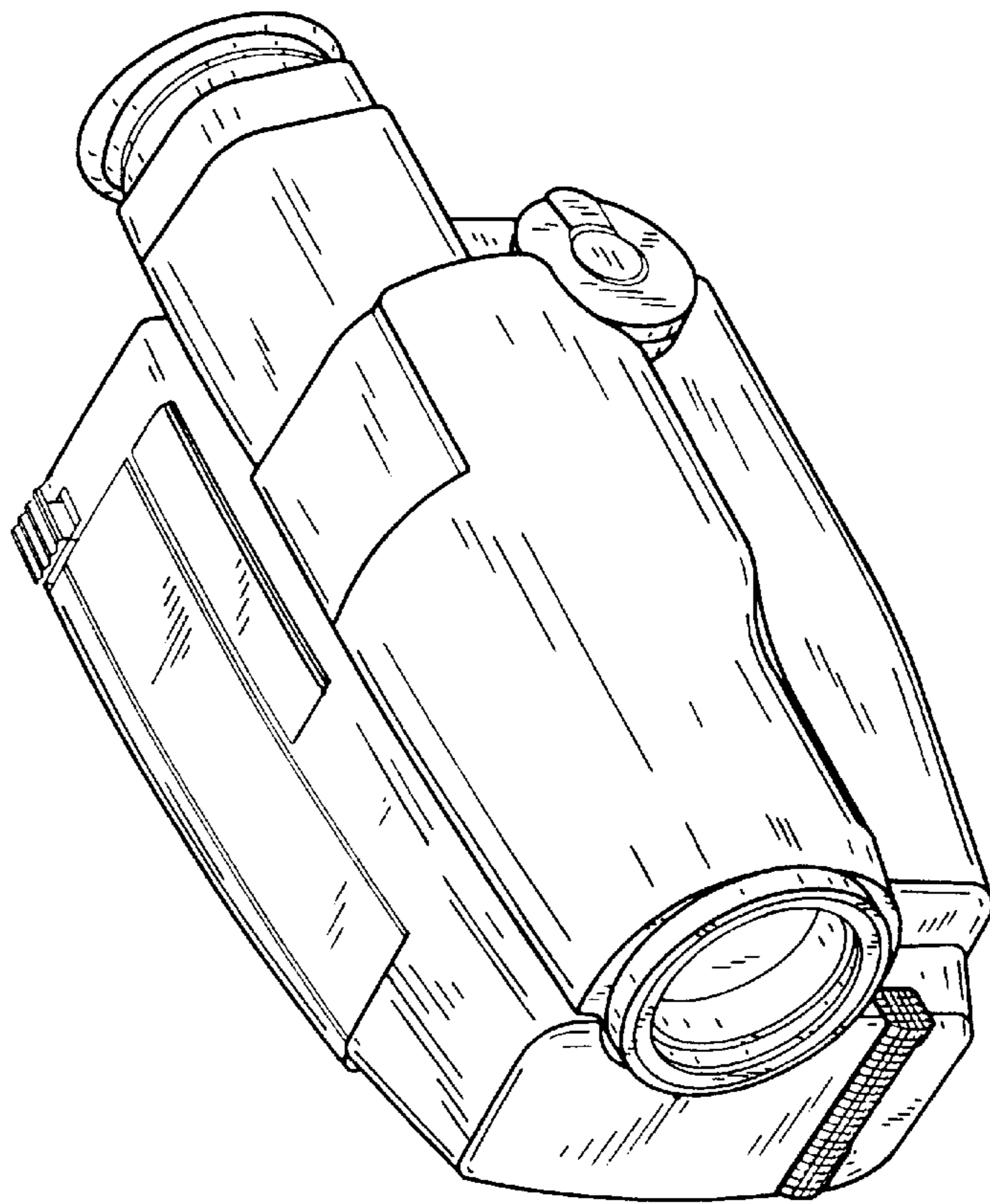


FIG.3

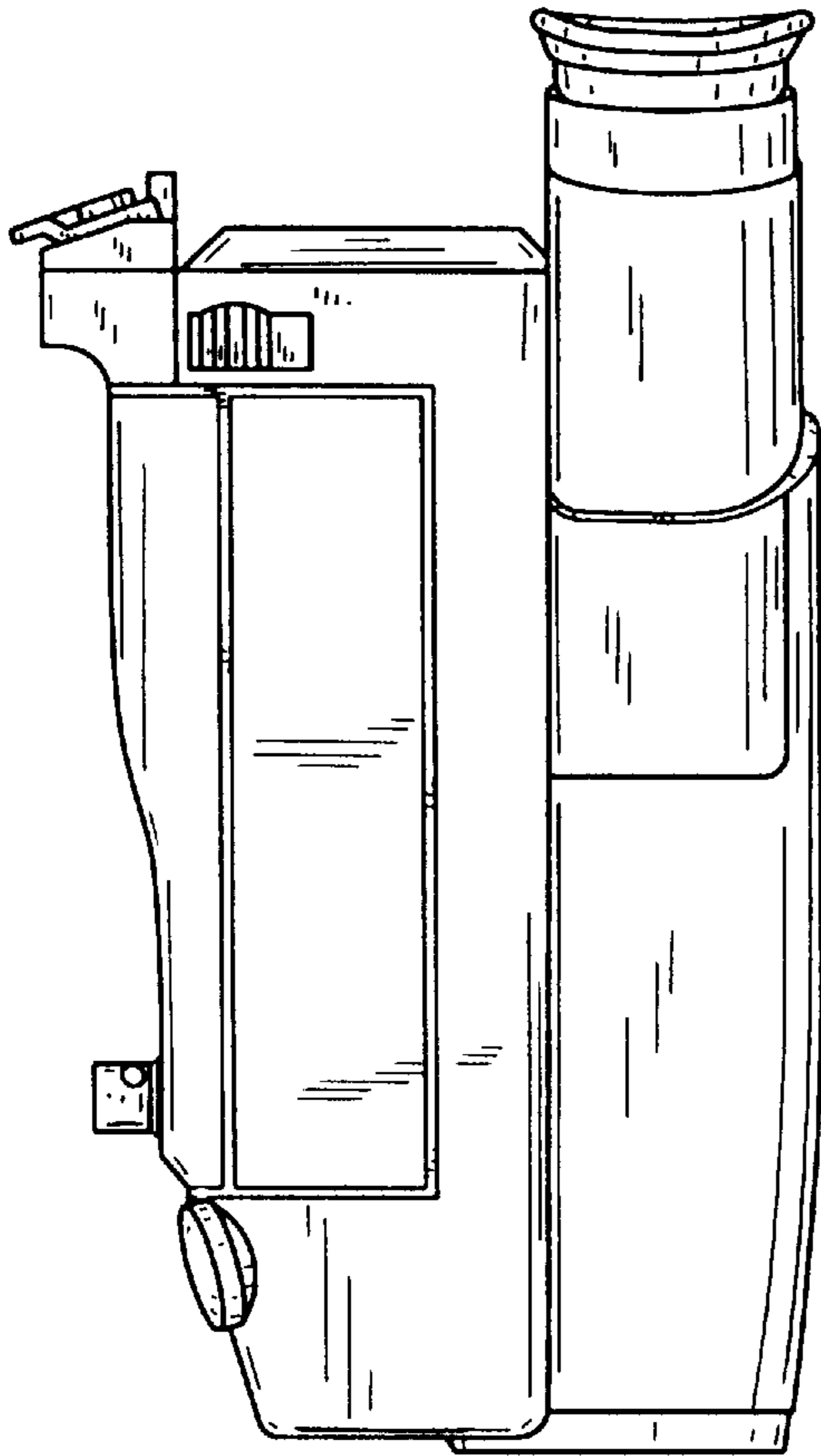


FIG.5

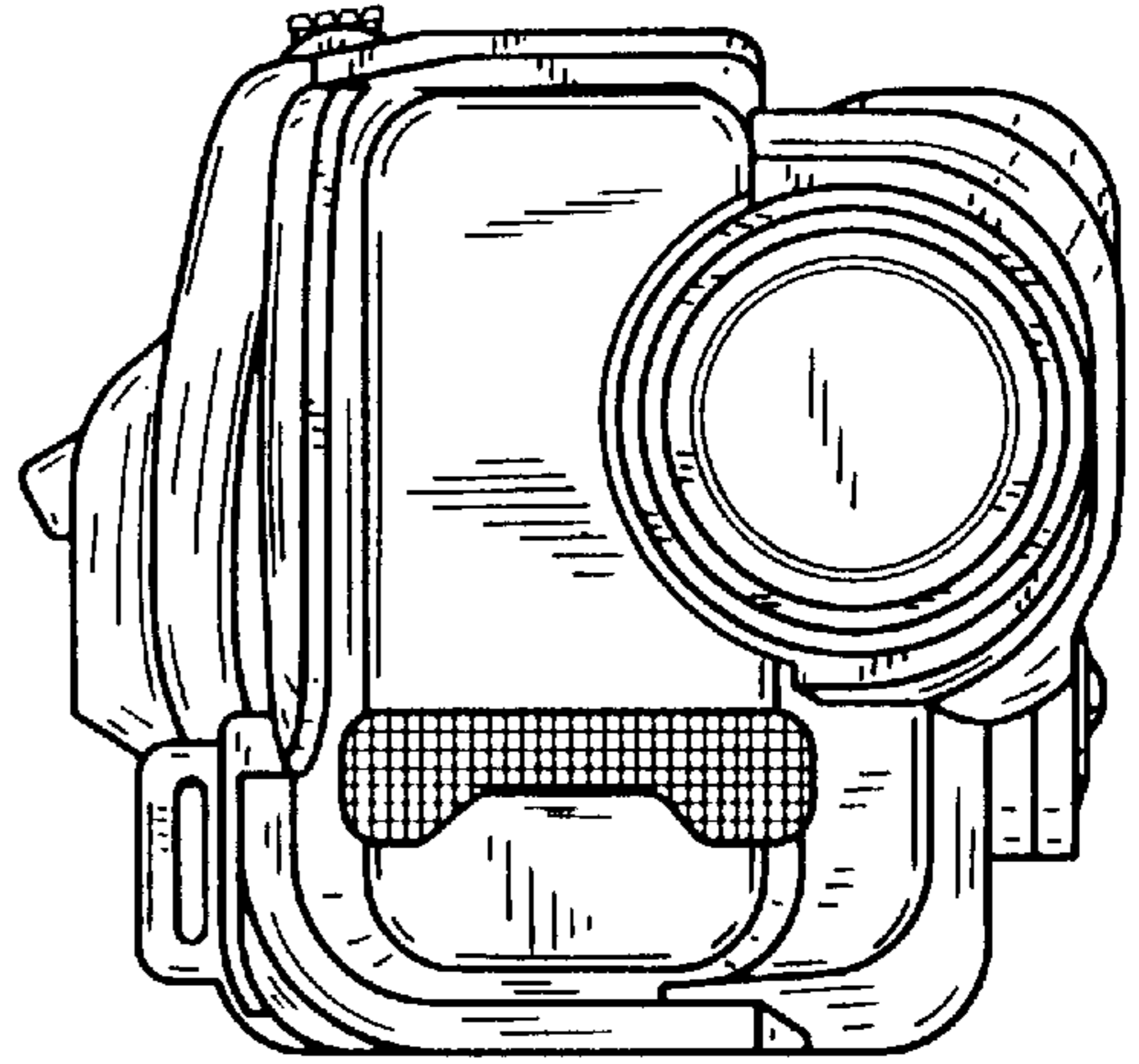


FIG.4

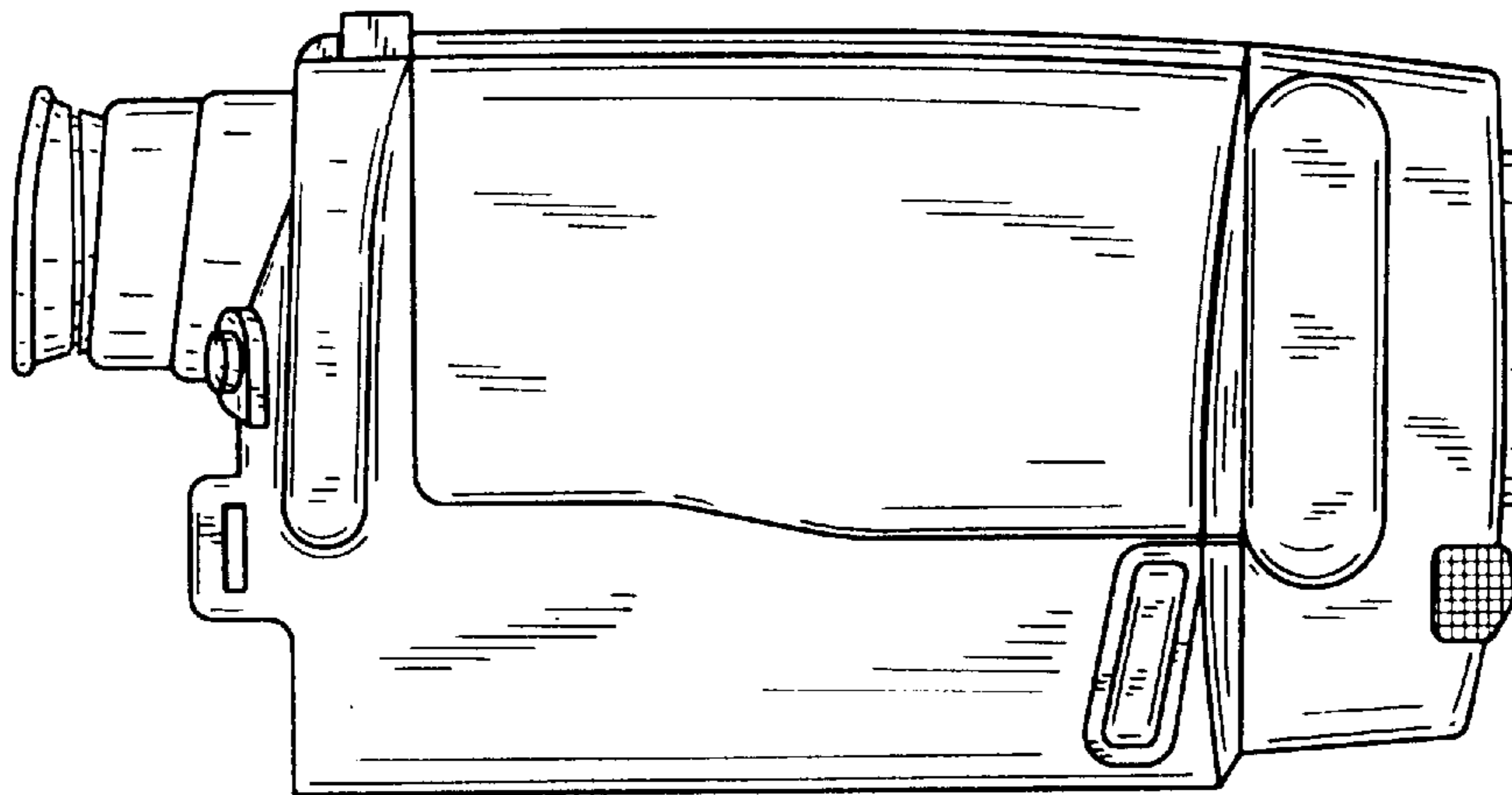


FIG.6

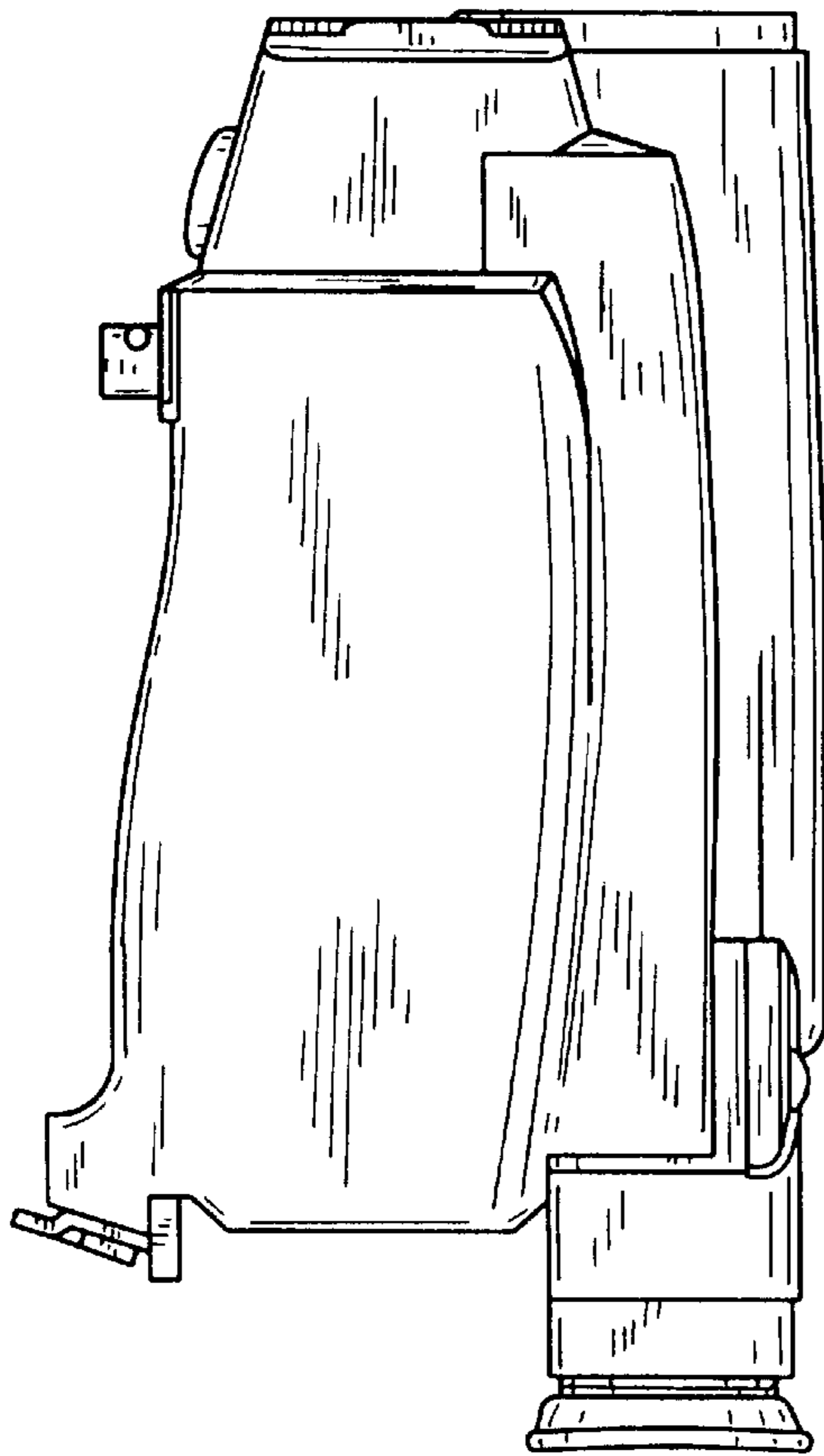


FIG.8

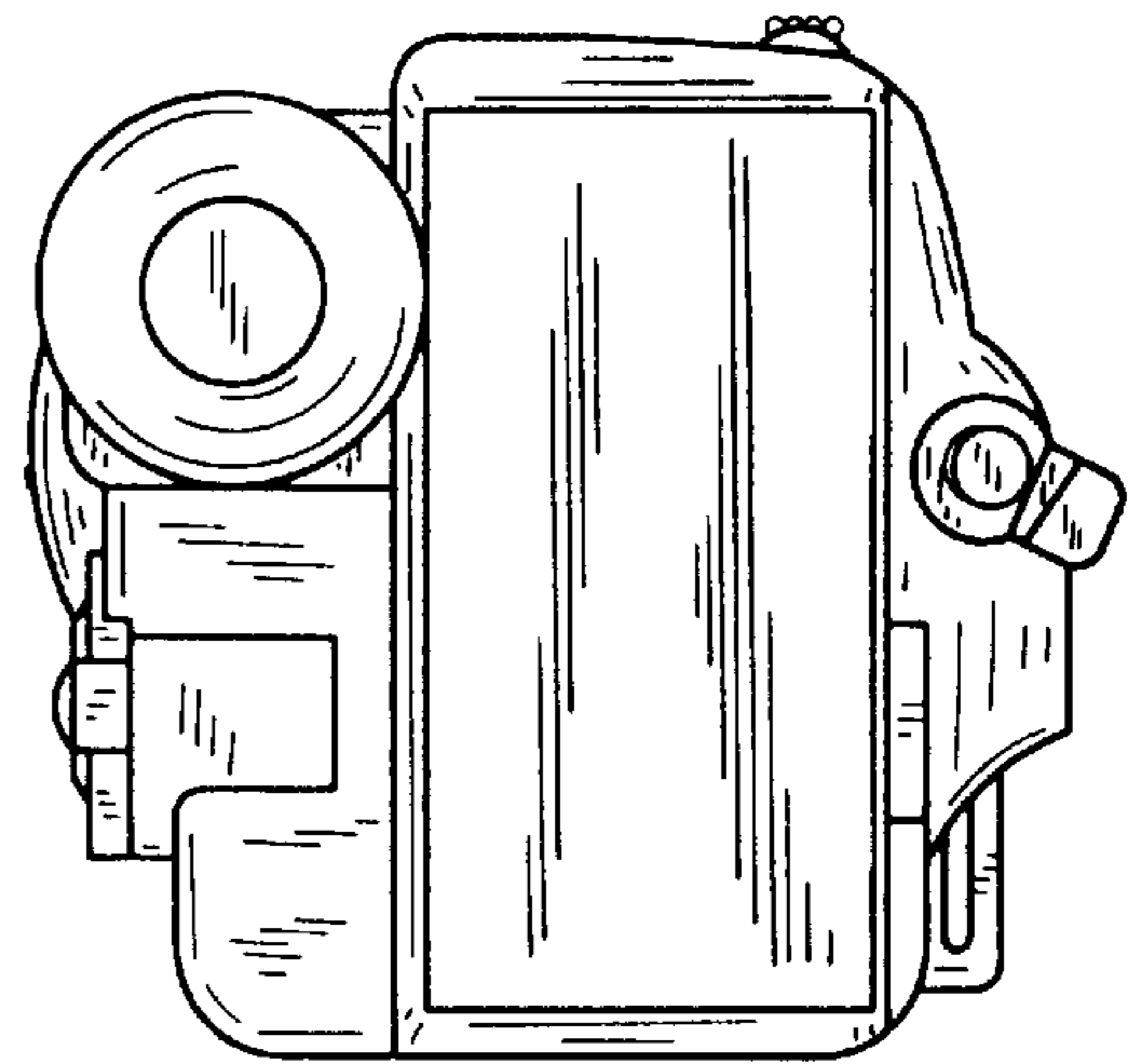


FIG.7

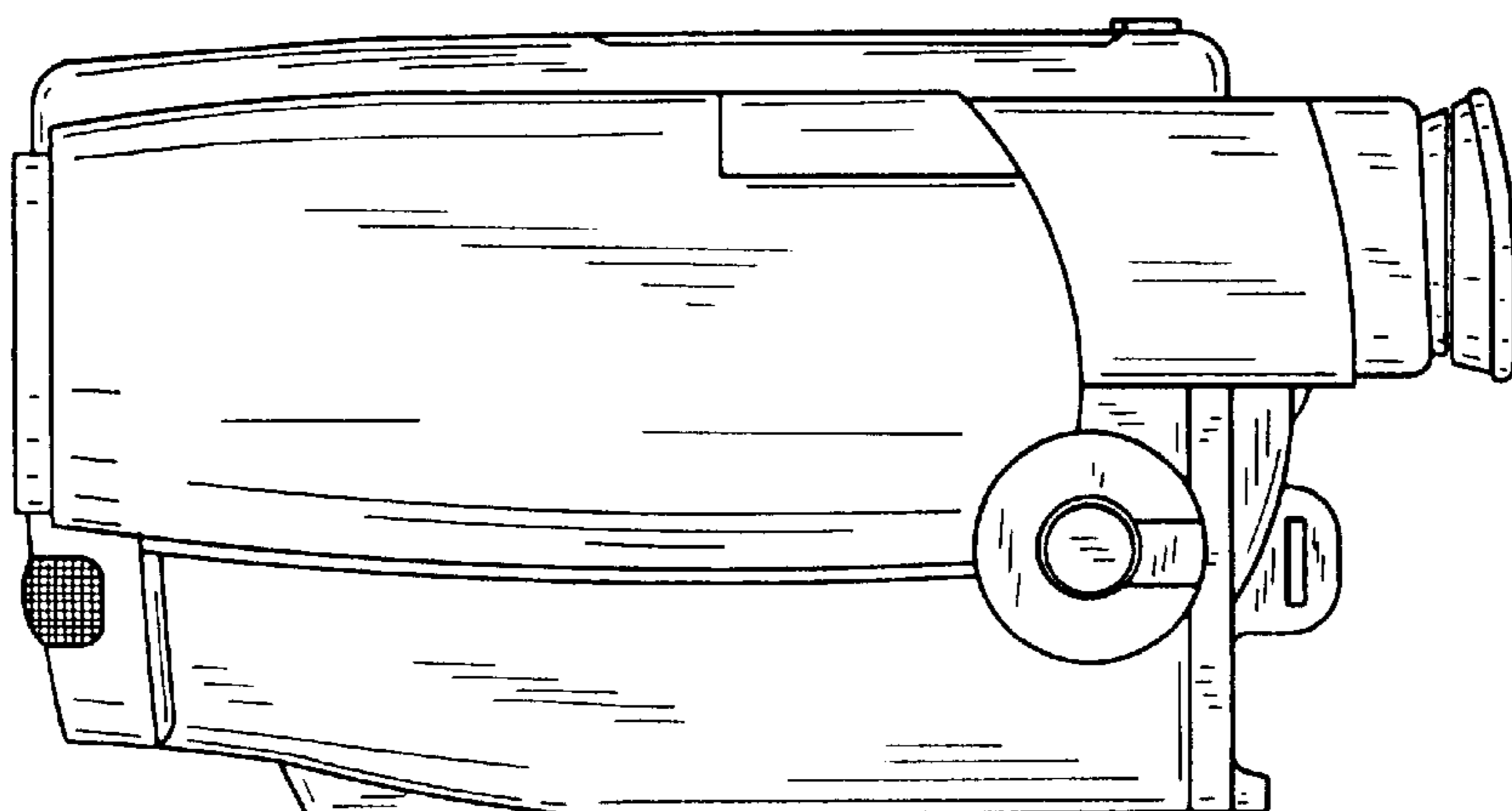


FIG.10

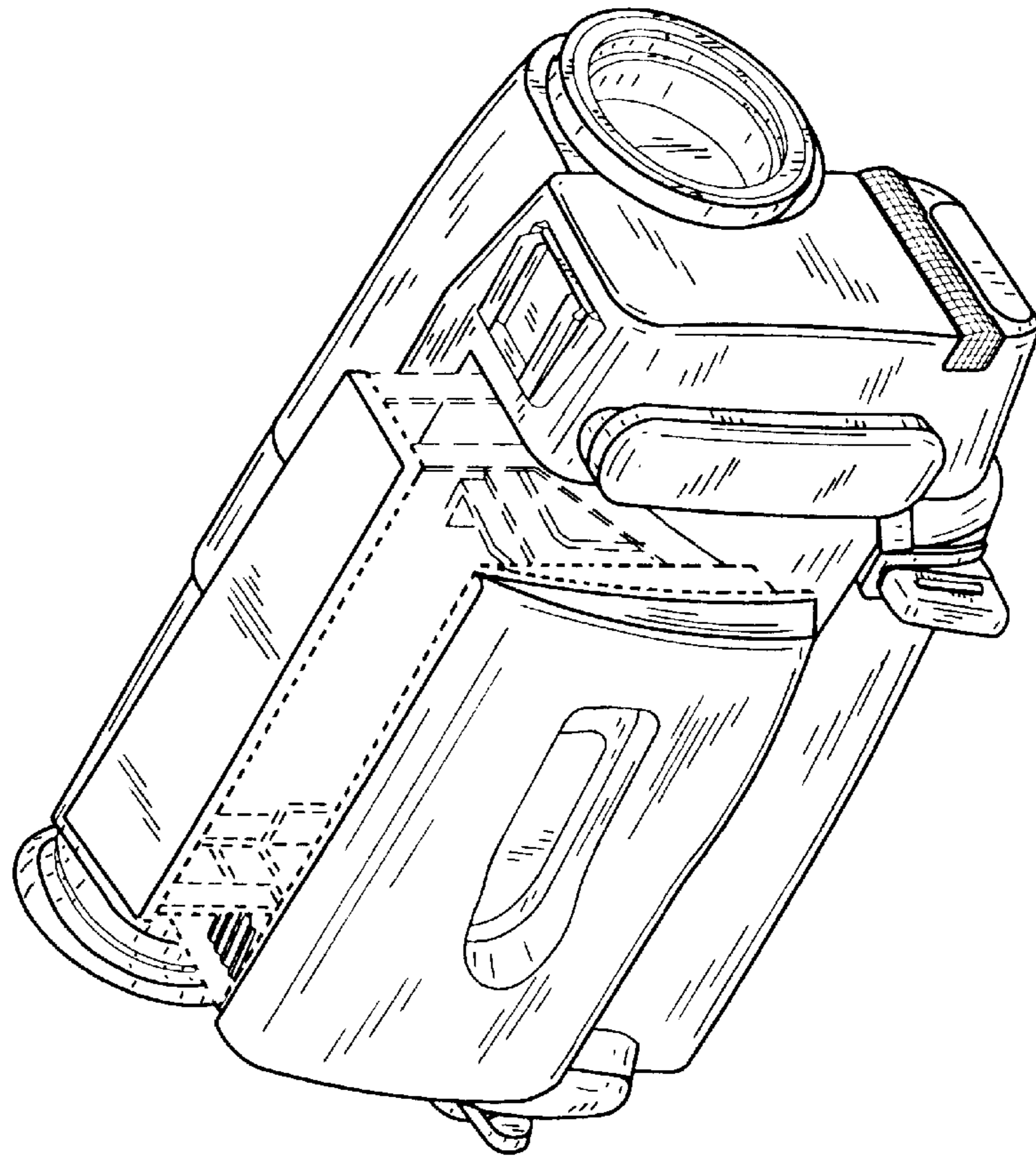


FIG.9

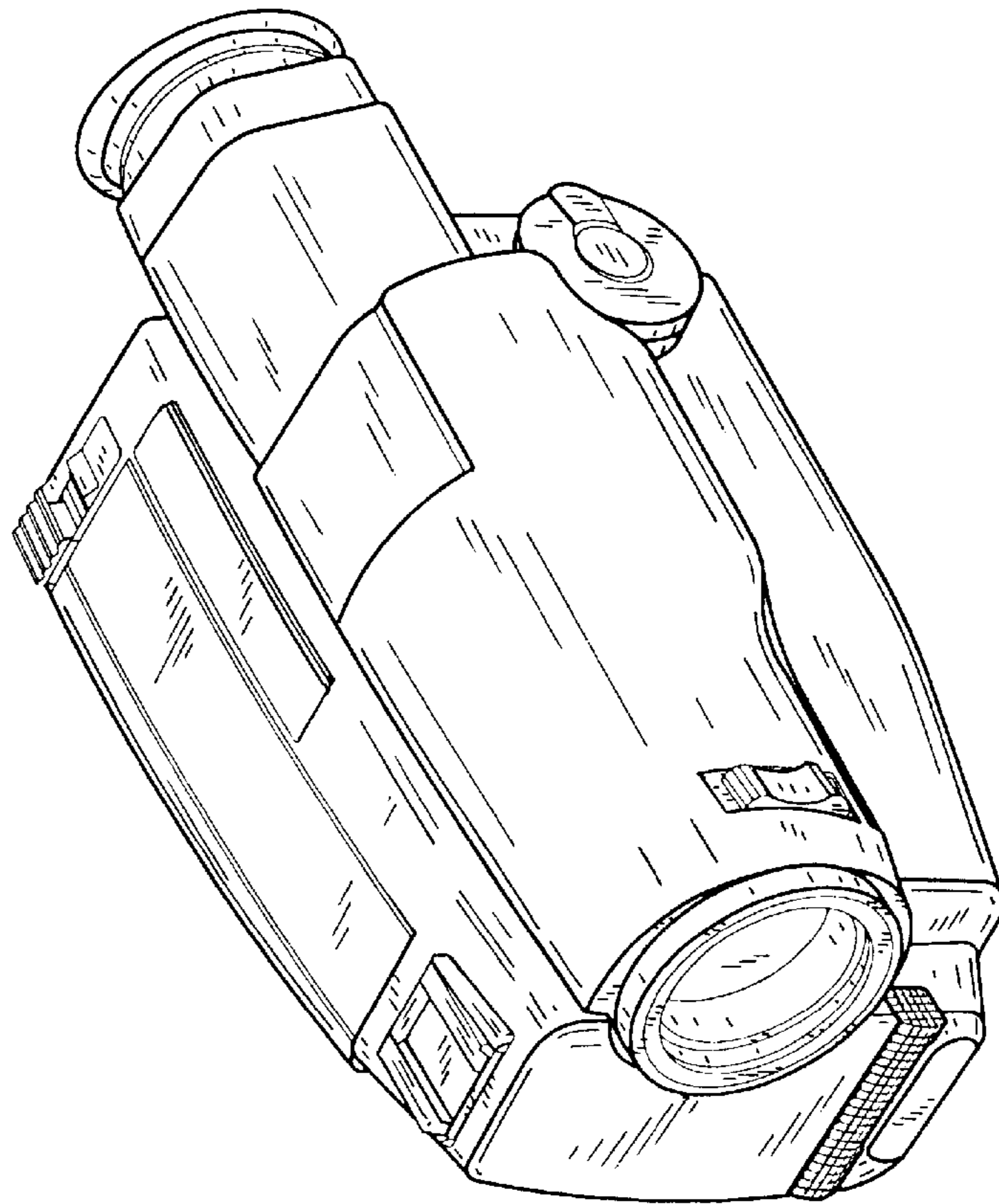


FIG.11

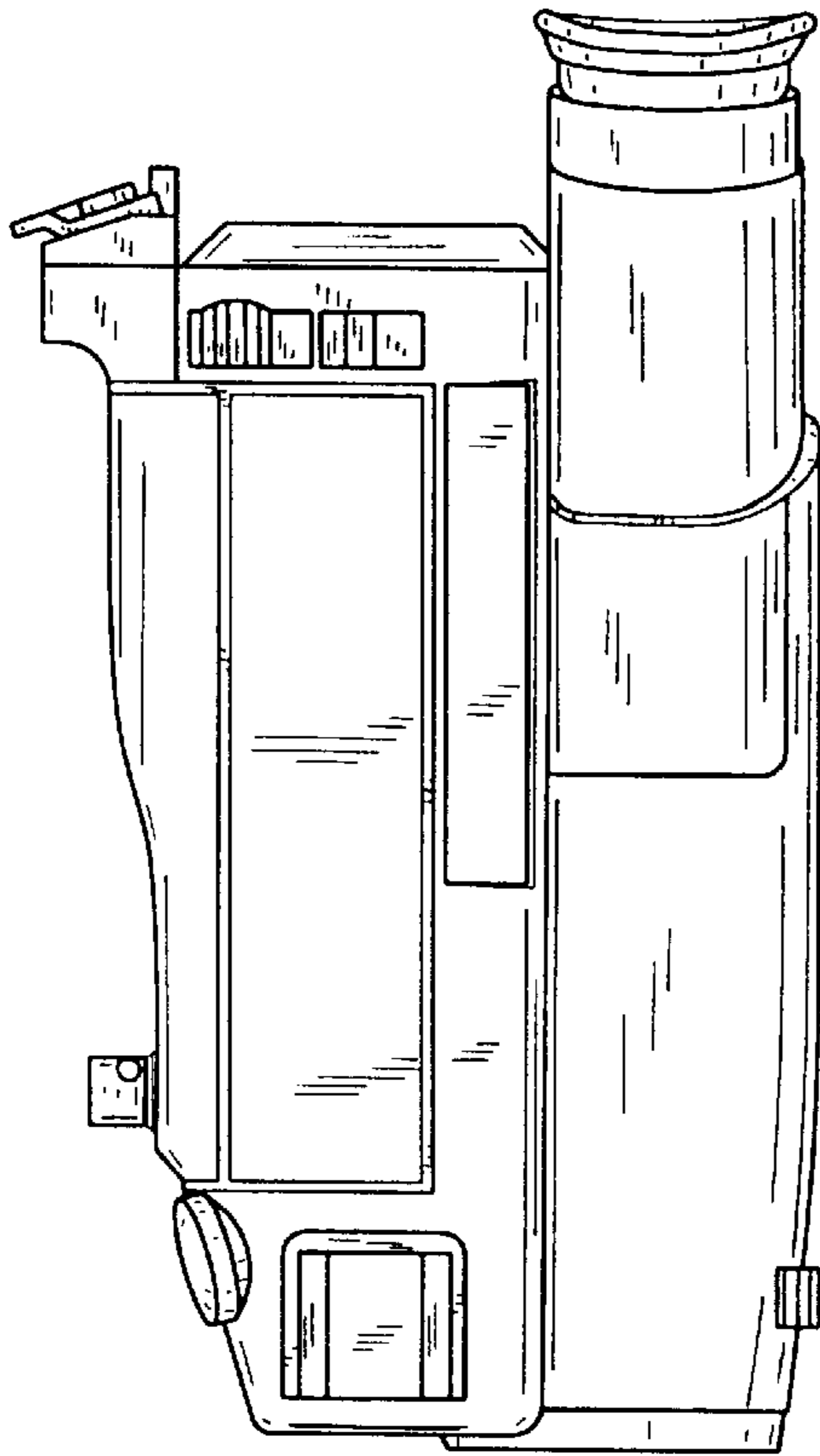


FIG.13

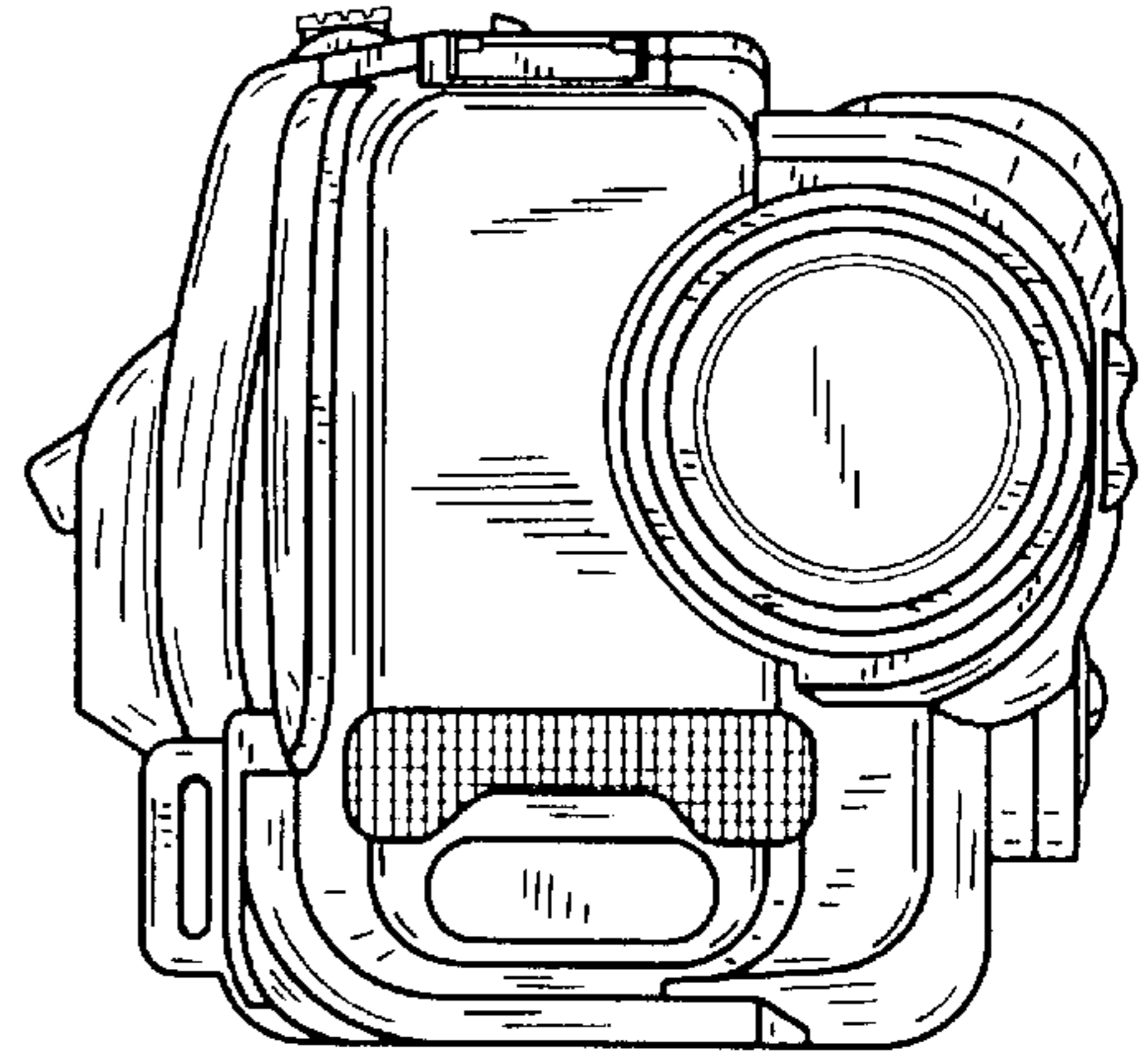


FIG.12

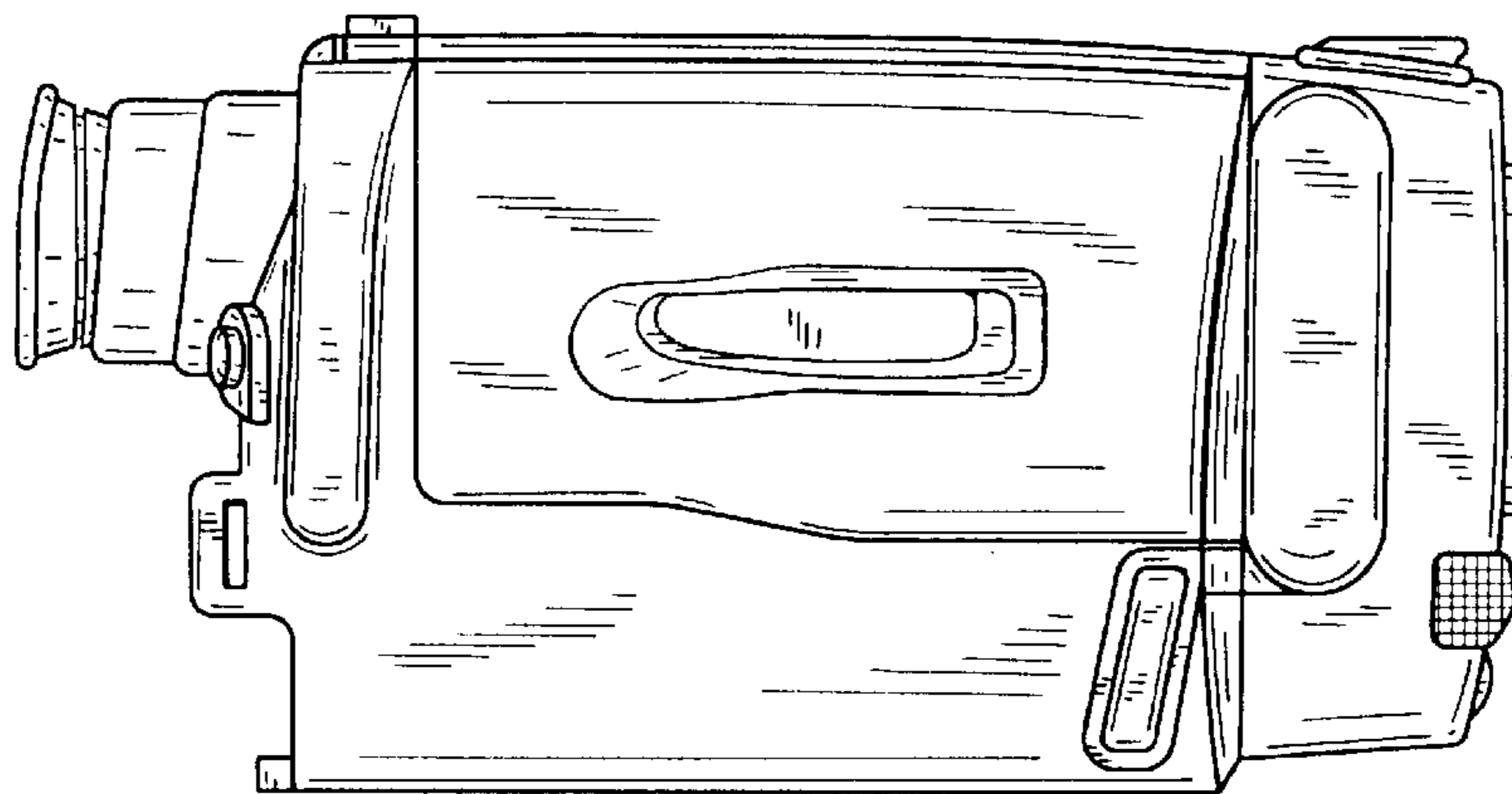


FIG. 14

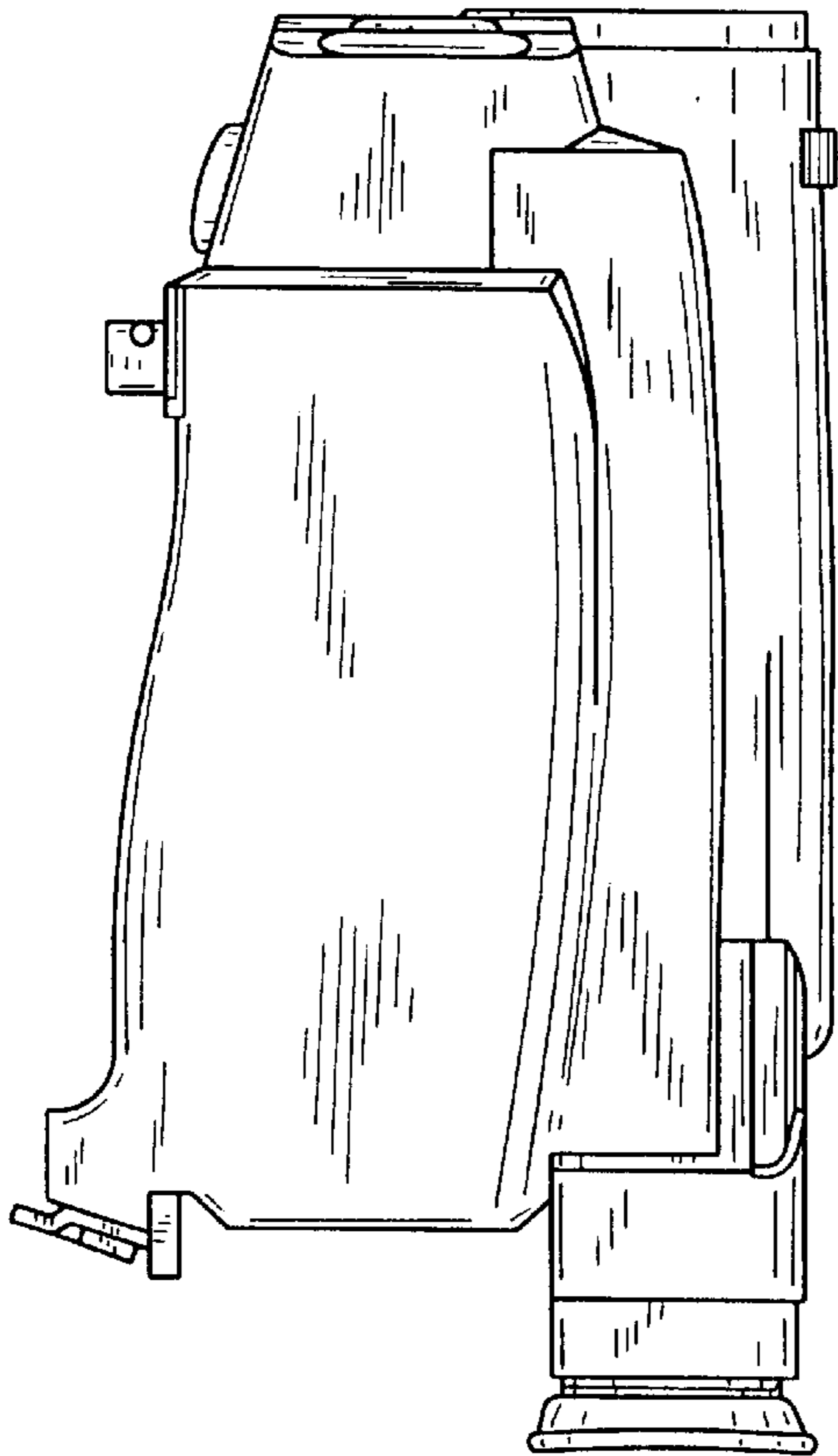


FIG. 16

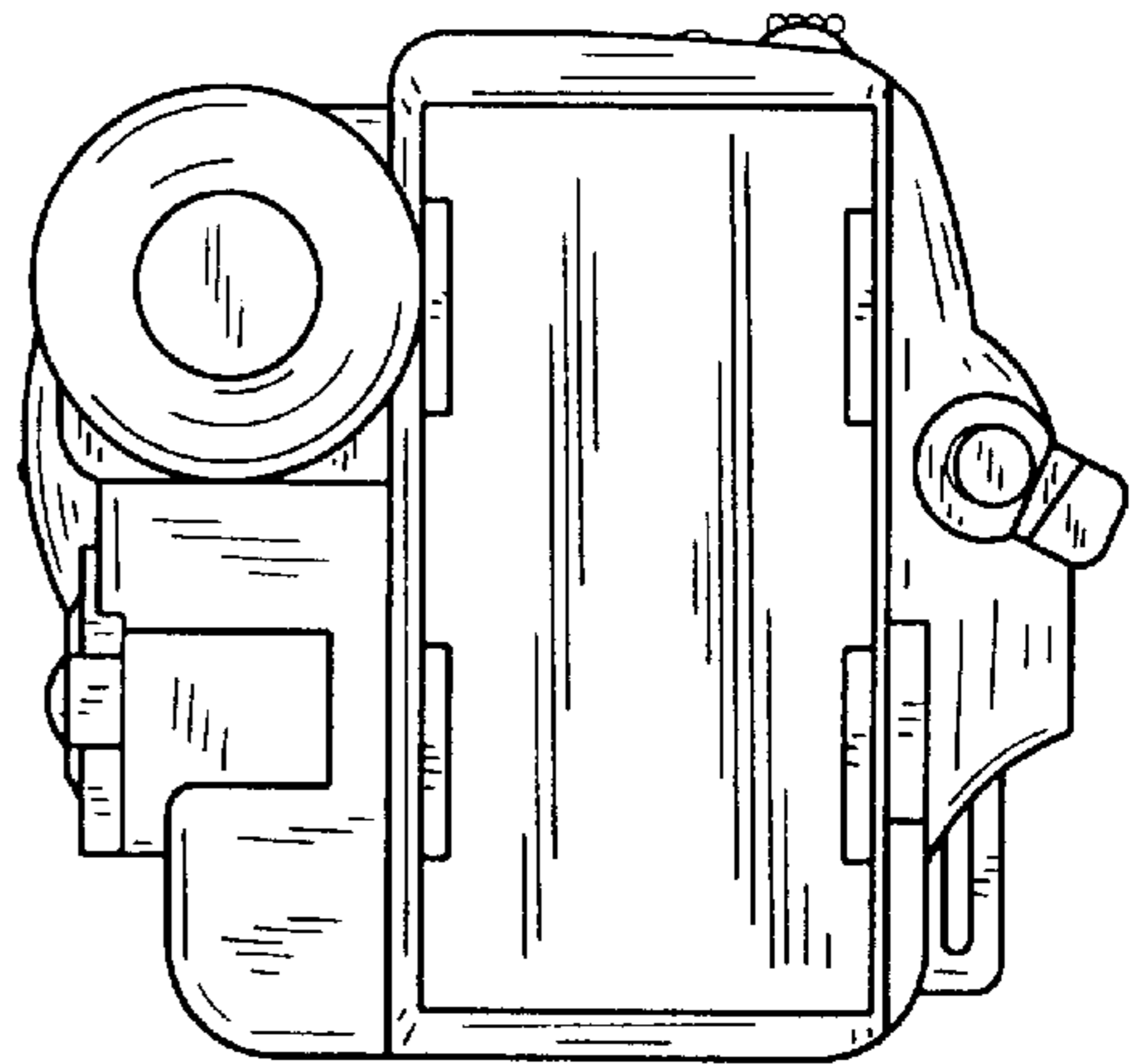


FIG. 15

