



US00D407423S

United States Patent [19]

Pogue et al.

[11] **Patent Number: Des. 407,423**

[45] **Date of Patent: **Mar. 30, 1999**

[54] **SLIDE VIEWER**

2,910,913 11/1959 Michel 359/363

[75] Inventors: **Lonnie Pogue**, San Diego, Calif.; **Eric Toriumi**, Chicago, Ill.

Primary Examiner—Paula A. Mortimer
Attorney, Agent, or Firm—Larry L. Saret; Laff, Whitesel, Conte & Saret, Ltd.

[73] Assignee: **Learning Resources, Inc.**, Vernon Hills, Ill.

[57] **CLAIM**

[**] Term: **14 Years**

The ornamental design for a slide viewer, as shown and described.

[21] Appl. No.: **77,598**

DESCRIPTION

[22] Filed: **Sep. 29, 1997**

[51] **LOC (6) Cl.** **16-06**

[52] **U.S. Cl.** **D16/131**

[58] **Field of Search** D16/130, 131;
359/382, 363, 383, 384, 399, 419, 430,
802, 804, 809, 810, 811, 816

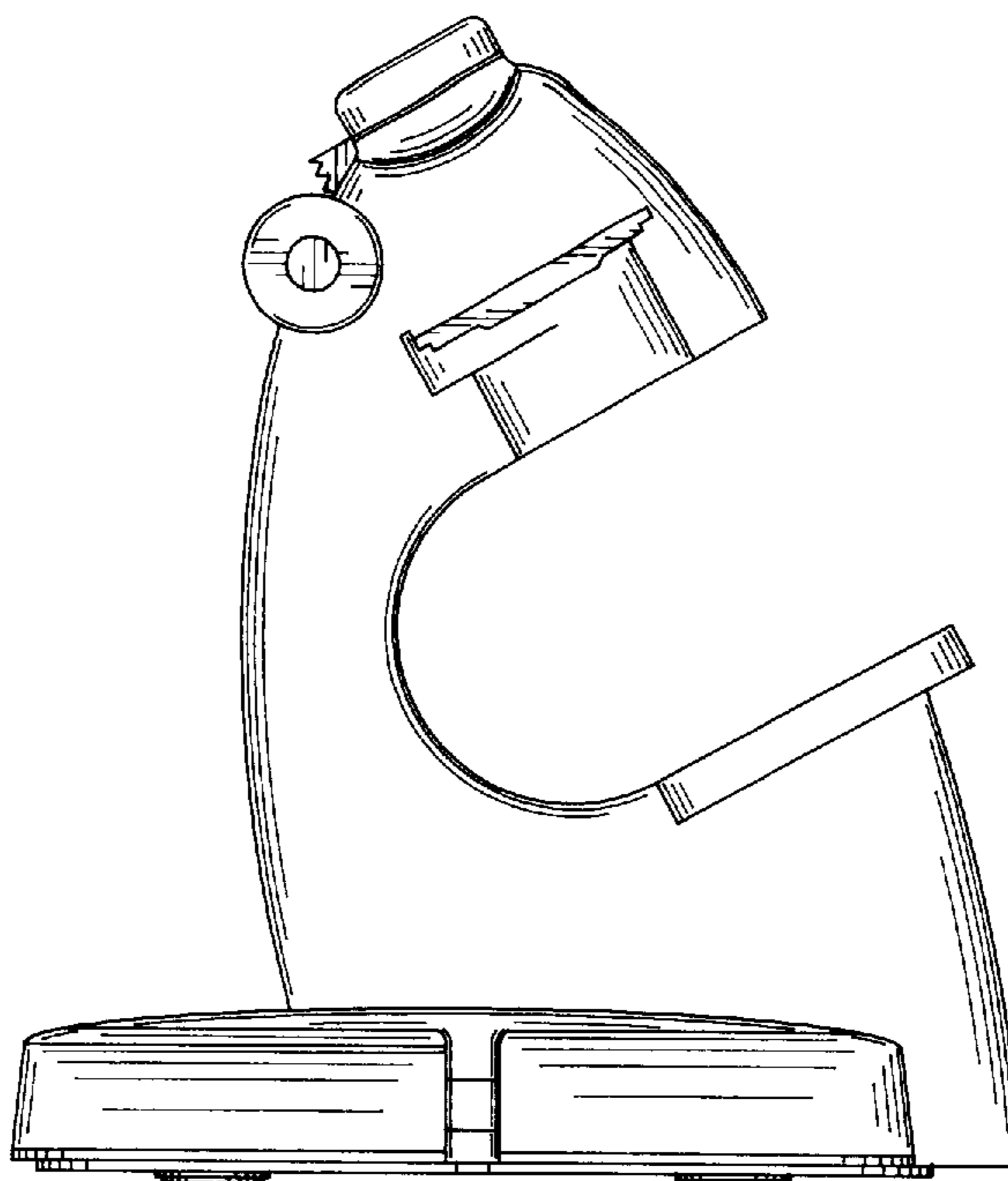
FIG. 1 is a right side elevational view of a slide viewer showing my new design;
FIG. 2 is a bottom plan view thereof;
FIG. 3 is a left side elevational view thereof;
FIG. 4 is a top plan view thereof;
FIG. 5 is a rear elevational view thereof;
FIG. 6 is a front elevational view thereof;
FIG. 7 is a fragmentary right side elevational view with the eyepiece in a retracted position;
FIG. 8 is a fragmentary right side elevational view with the eyepiece in an extended position;
FIG. 9 is a rear elevational view with the slide tray in an extended position; and,
FIG. 10 is a top plan view thereof.

[56] **References Cited**

U.S. PATENT DOCUMENTS

D. 172,630	7/1954	Macaluso, Jr.	D16/131
D. 226,283	2/1973	Shield	D16/131
D. 243,601	3/1977	Leeming, Sr. et al.	D16/131
D. 309,150	7/1990	Wentz	D16/131
D. 345,748	4/1994	Holbl	D16/131
D. 369,611	5/1996	Hasegawa	D16/131

1 Claim, 5 Drawing Sheets



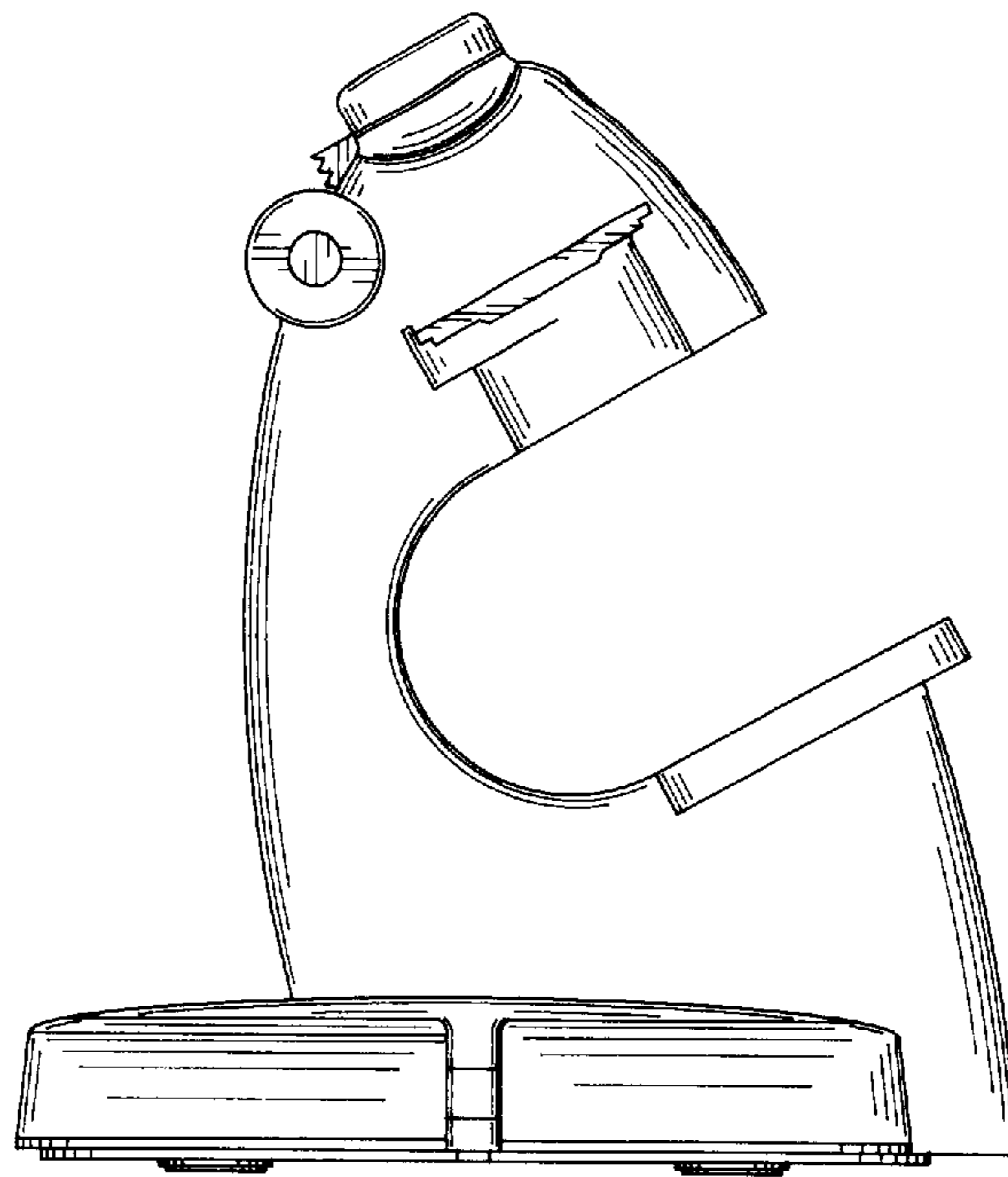


FIG. 1

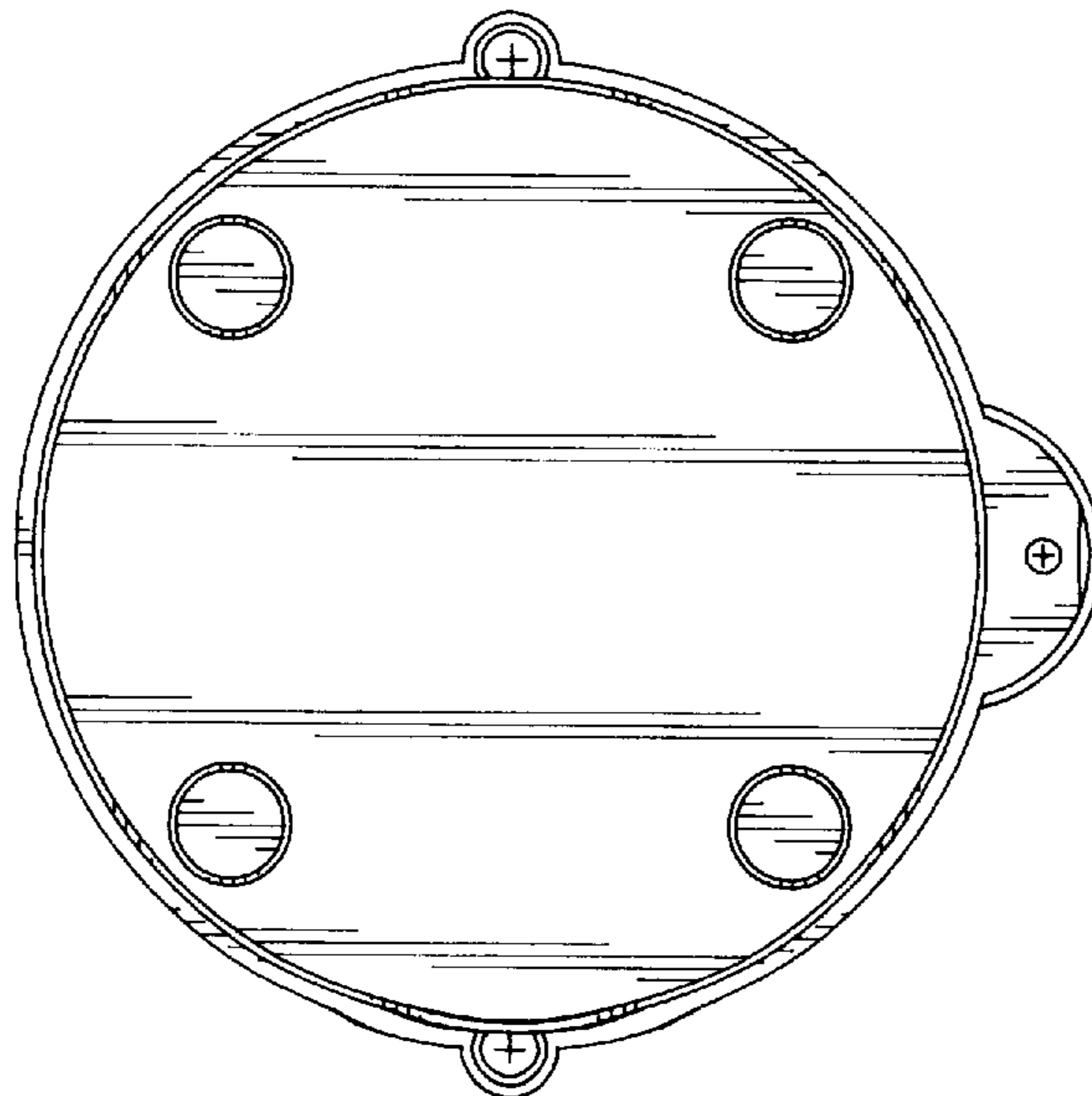


FIG. 2

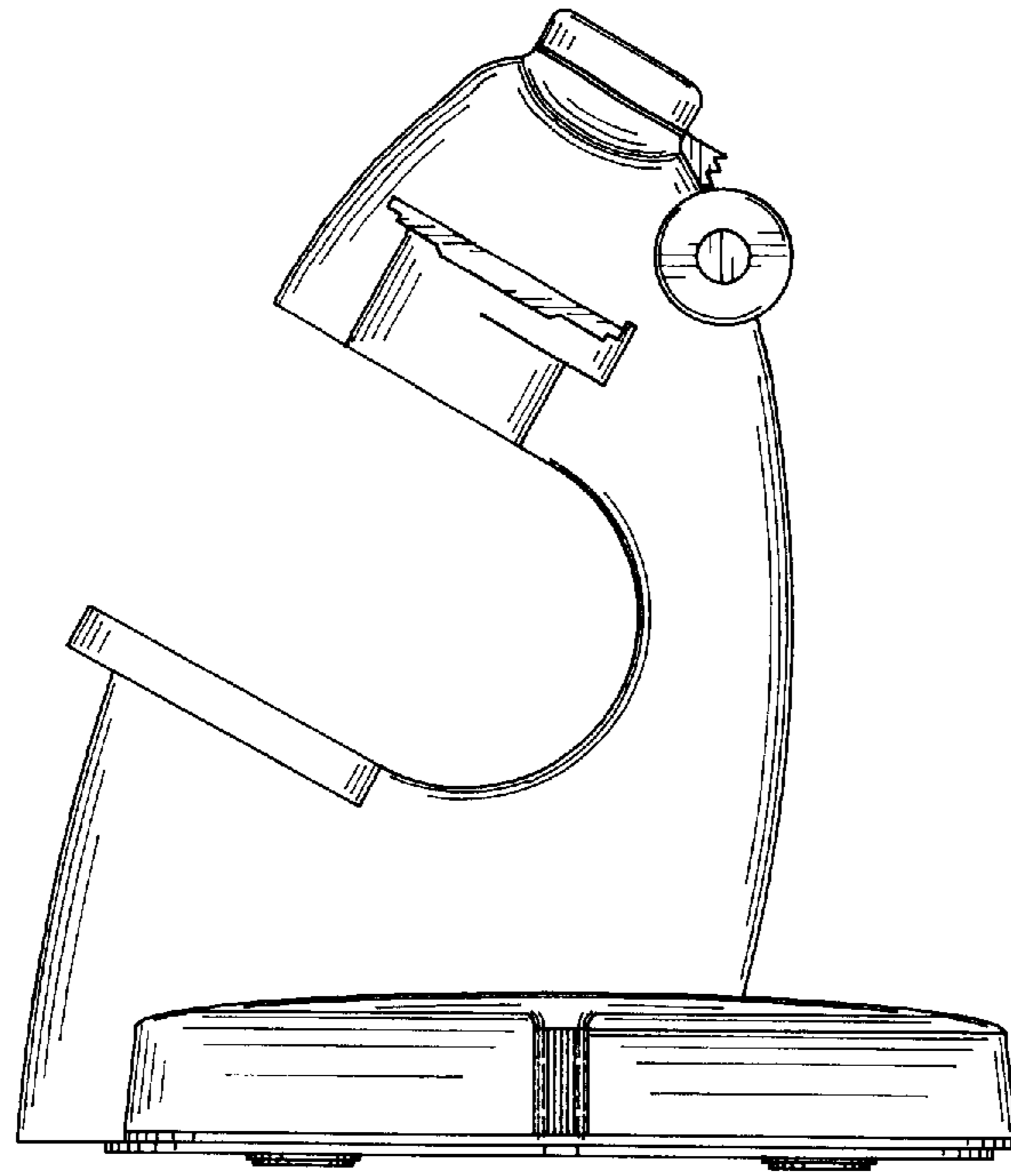


FIG. 3

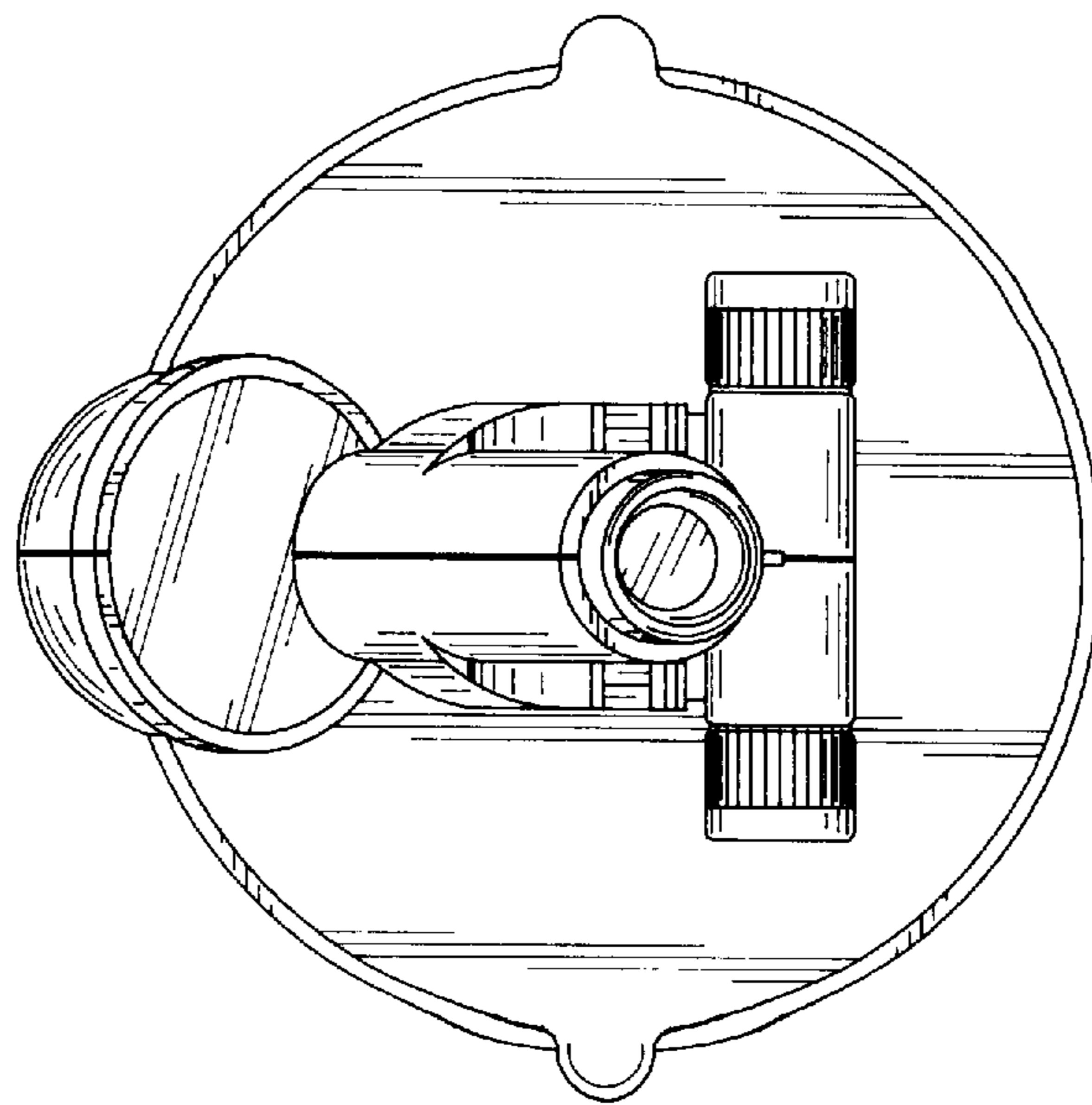


FIG. 4

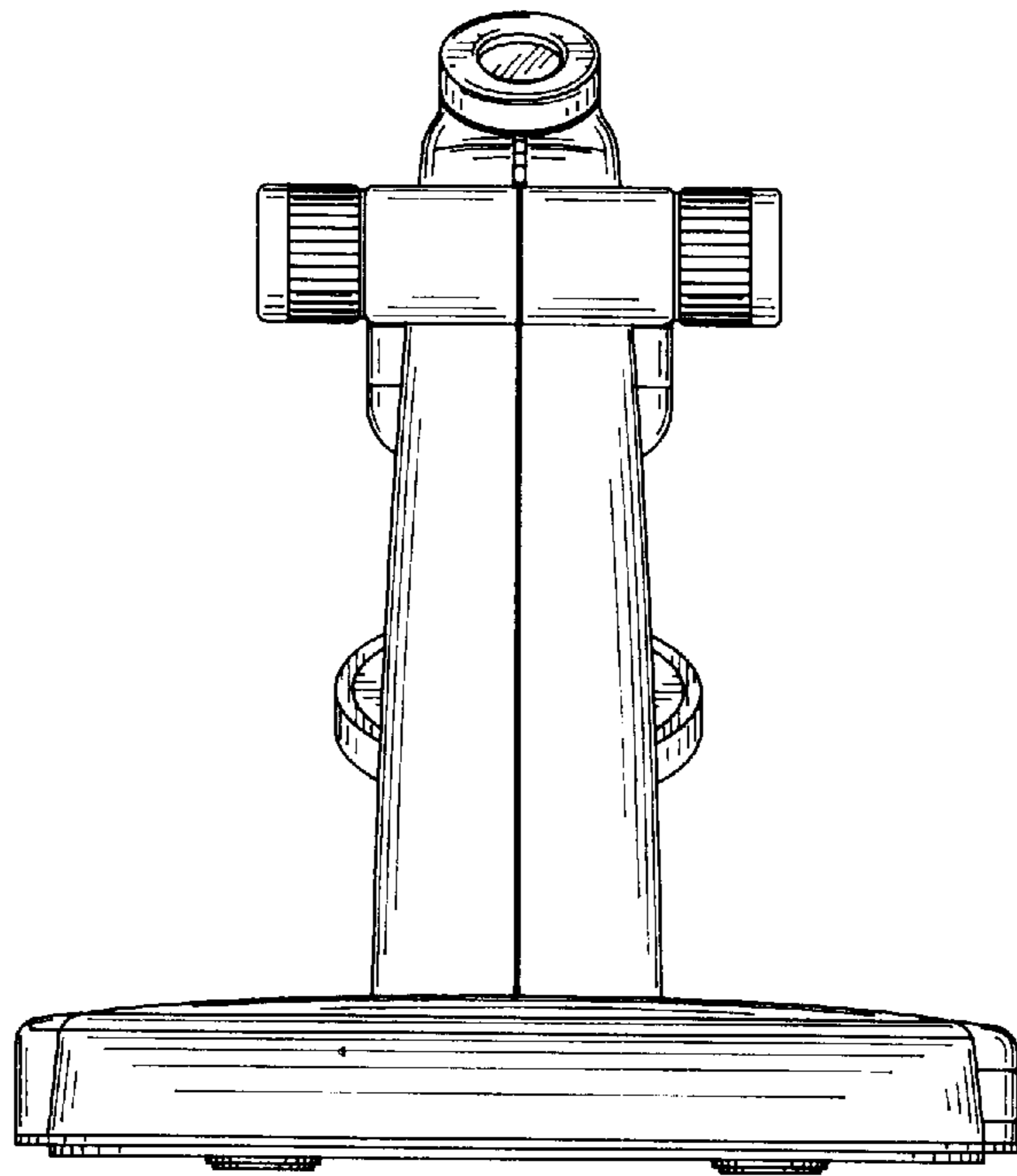


FIG. 5

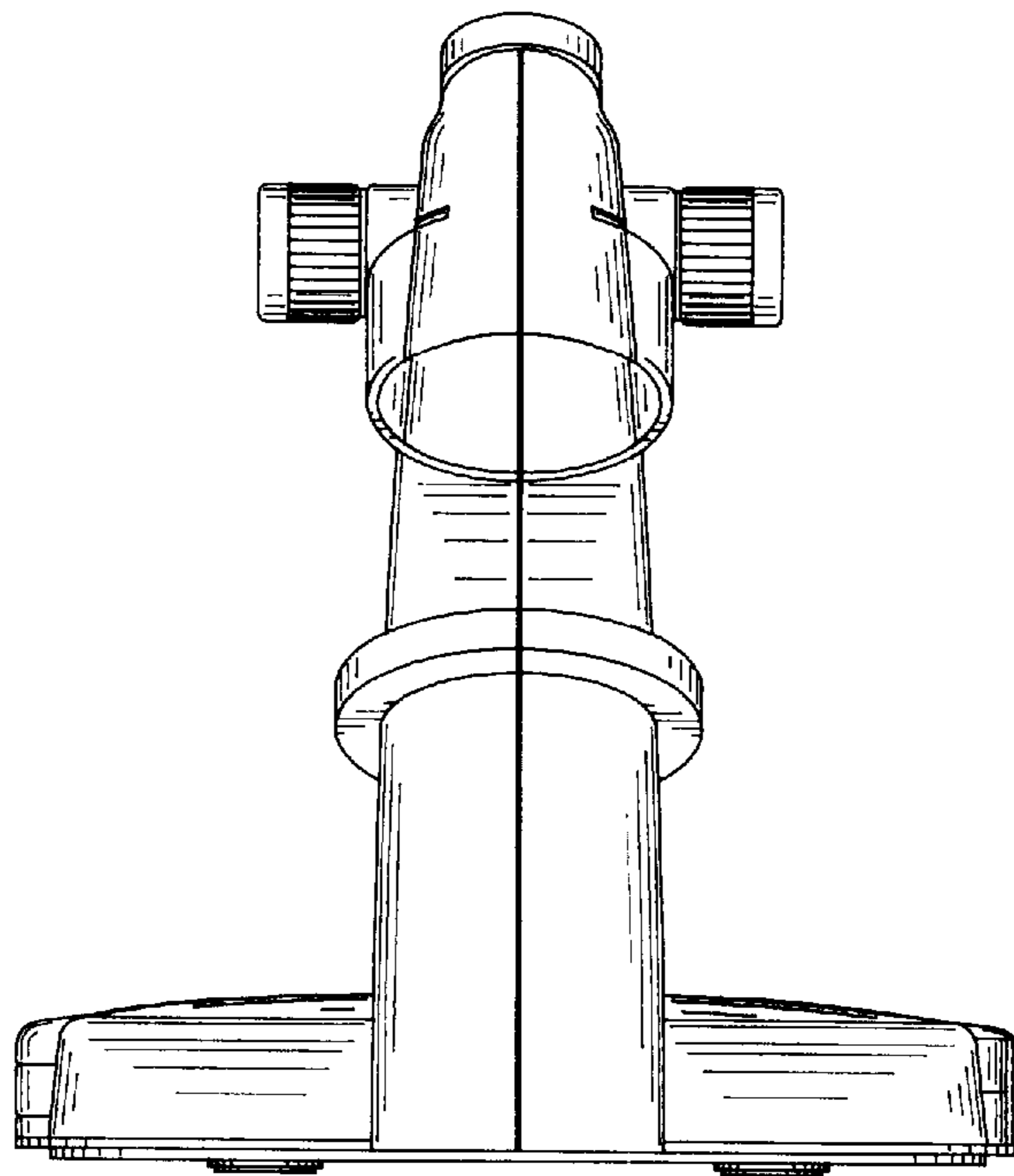


FIG. 6

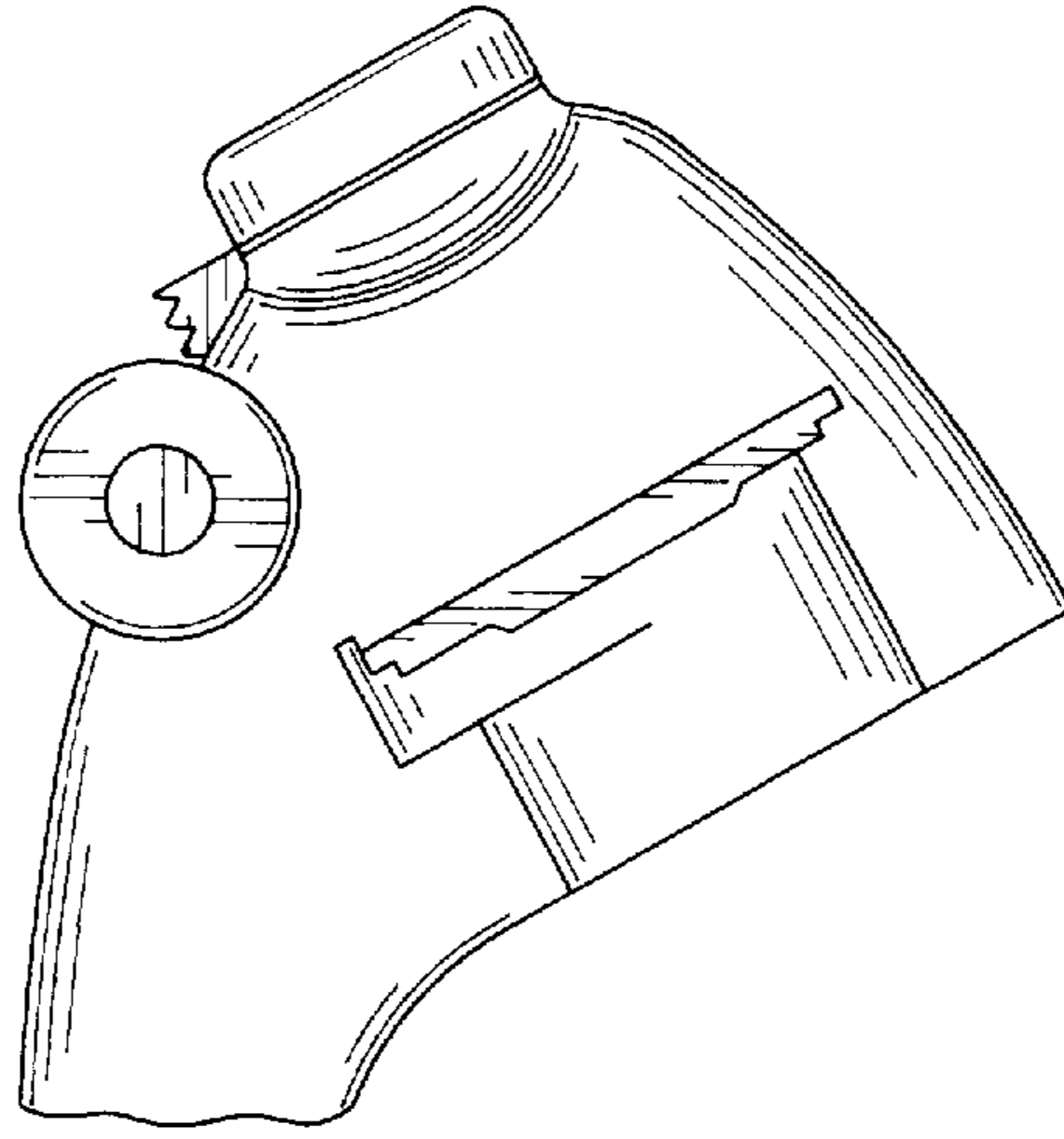


FIG. 7

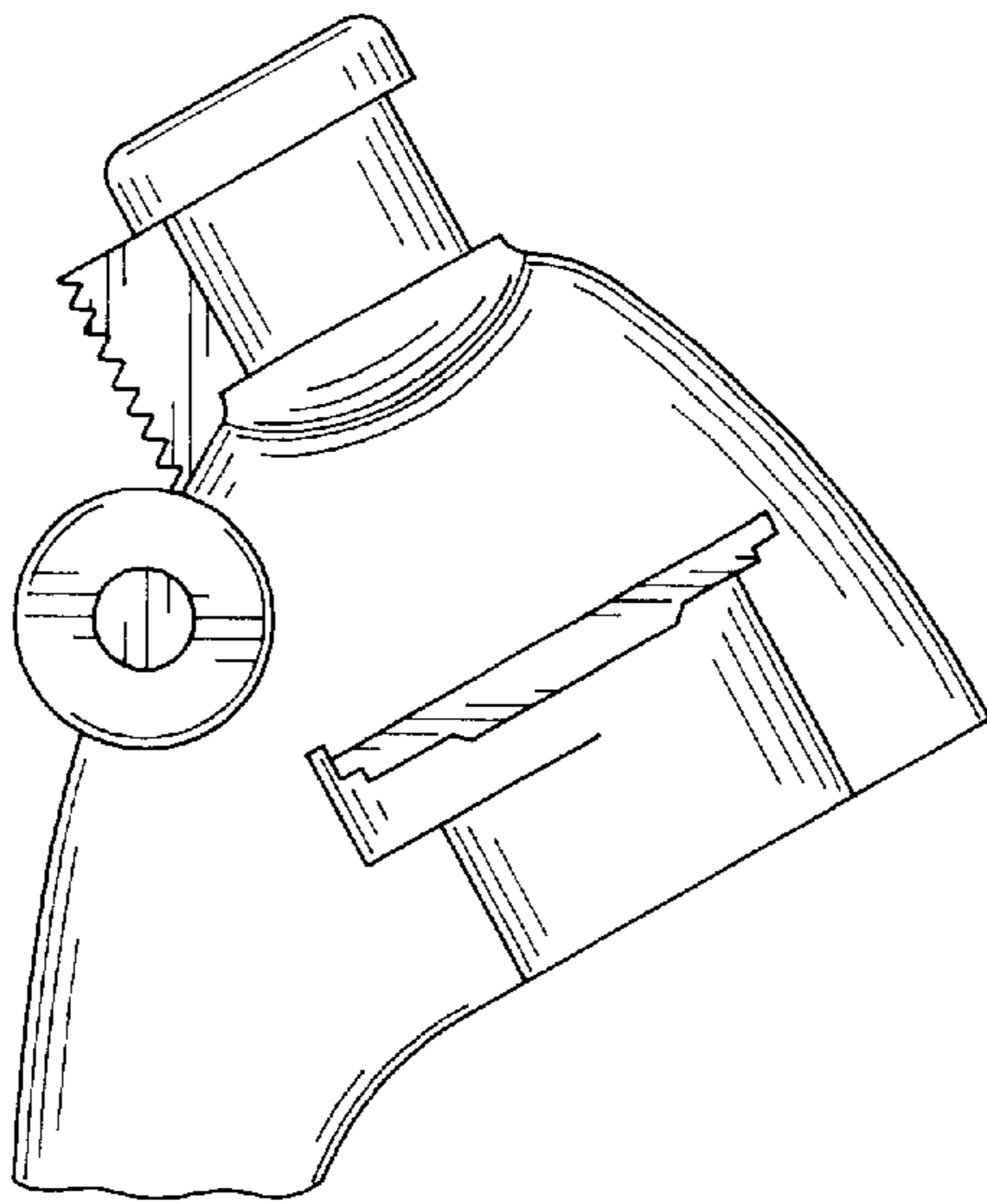


FIG. 8

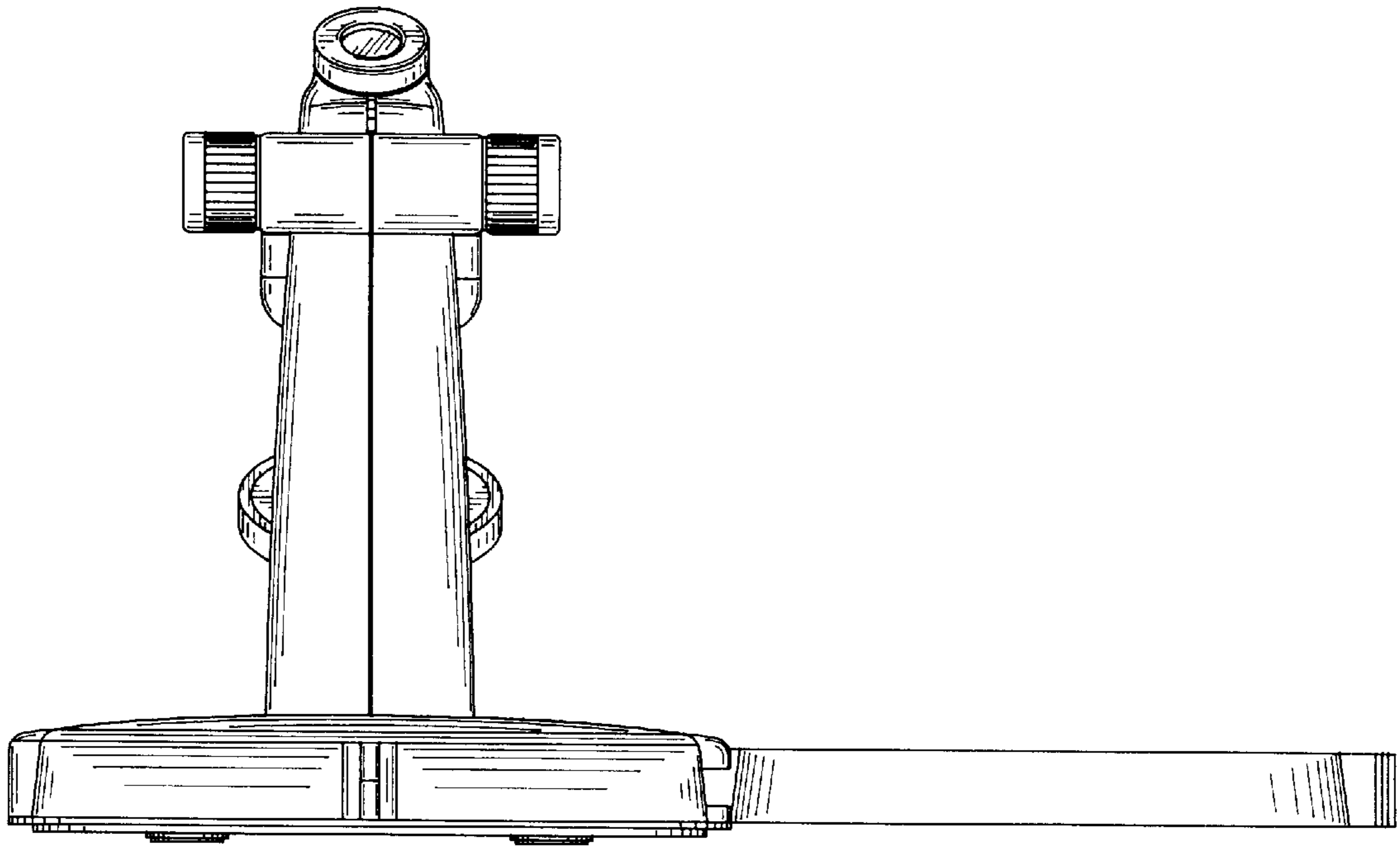


FIG. 9

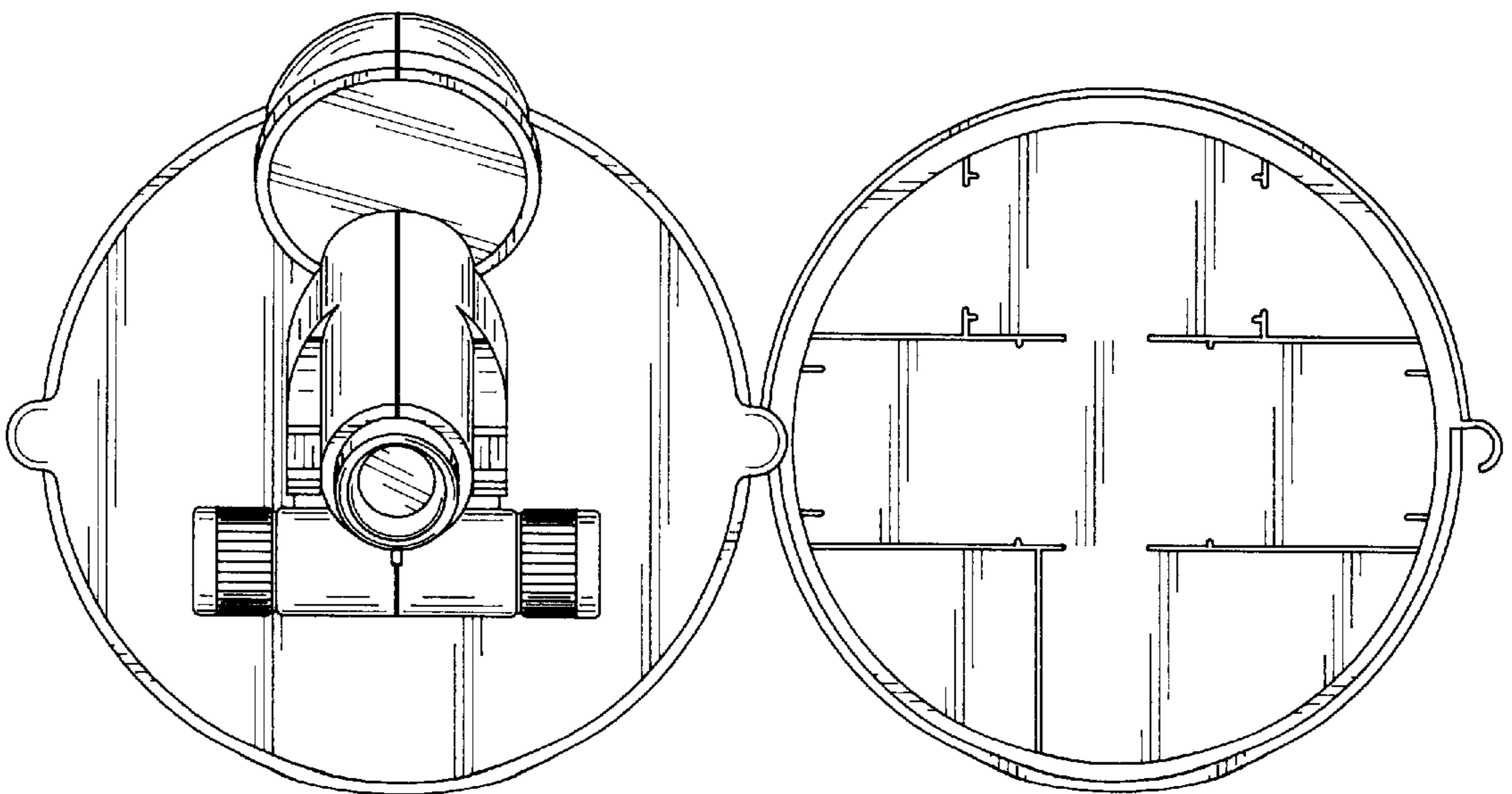


FIG. 10