



US00D407422S

United States Patent [19]
Welsh

[11] **Patent Number: Des. 407,422**

[45] **Date of Patent: **Mar. 30, 1999**

[54] **CONTROL HOUSING FOR A SCROLL SAW**

*Primary Examiner—Antoine Duval Davis
Attorney, Agent, or Firm—Adan Ayala*

[75] Inventor: **Robert P. Welsh**, Hunt Valley, Md.

[73] Assignee: **Black & Decker Inc.**, Newark, Del.

[**] Term: **14 Years**

[57] **CLAIM**

The ornamental design for a control housing for a scroll saw, as shown and described.

[21] Appl. No.: **90,660**

DESCRIPTION

[22] Filed: **Jul. 14, 1998**

Related U.S. Application Data

FIG. 1 is a left side perspective view from the front of my new design of a control housing for a scroll saw;

[63] Continuation of Ser. No. 82,394, Jan. 21, 1998, which is a continuation of Ser. No. 73,714, Jul. 16, 1997, Pat. No. Des. 397,124, which is a continuation of Ser. No. 62,012, Nov. 5, 1996, which is a continuation of Ser. No. 51,852, Mar. 1, 1996, abandoned.

FIG. 2 is a left side elevational view of my design;

FIG. 3 is a right side elevational view of my design;

[51] **LOC (6) Cl.** **15-09**

[52] **U.S. Cl.** **D15/133**

FIG. 4 is a front elevational view of my design;

FIG. 5 is a rear elevational view of my design;

[58] **Field of Search** D15/199; 83/782-786,
83/660

FIG. 6 is a top plan view of my design; and,

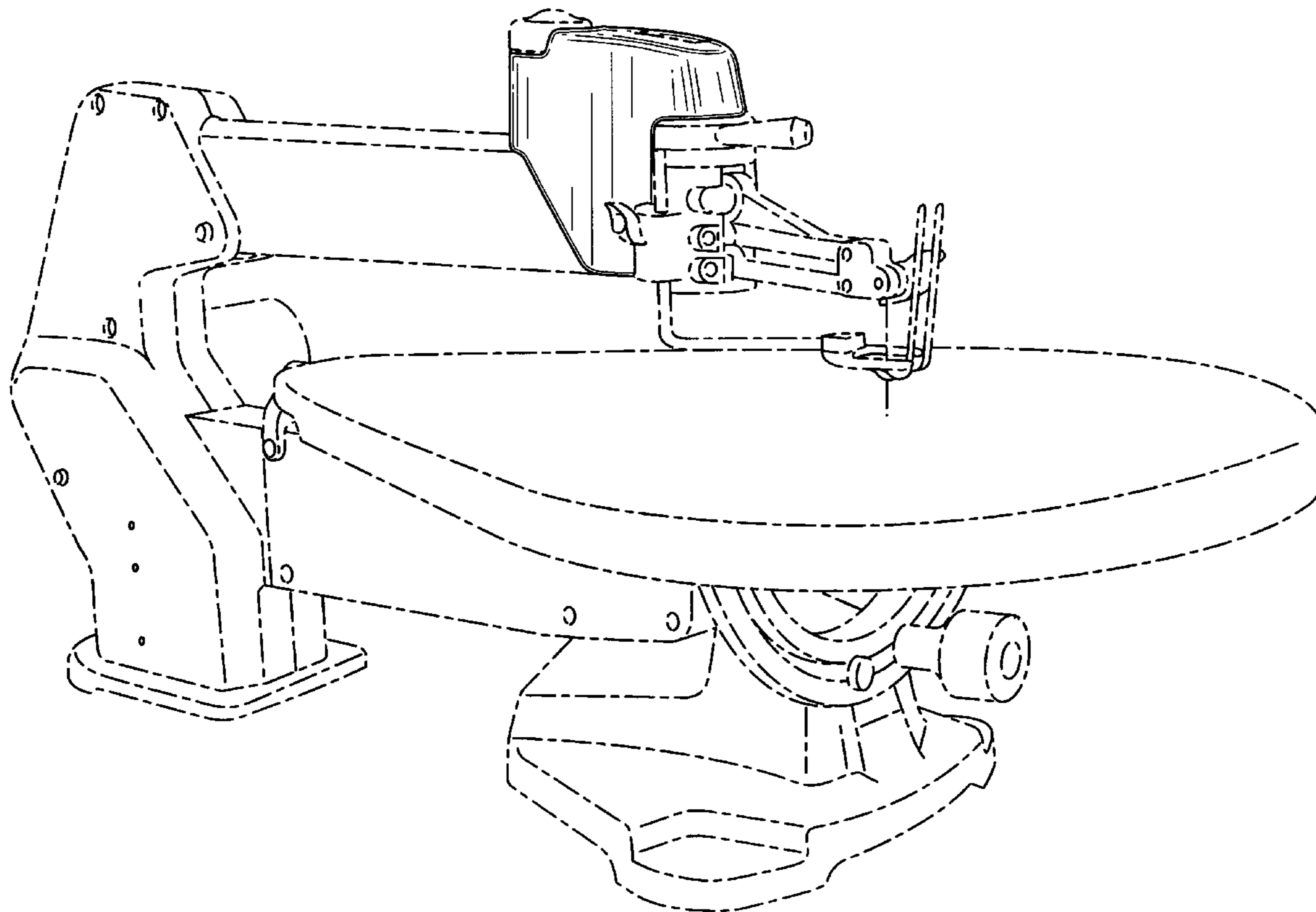
FIG. 7 is a right side perspective view from the rear of my new design.

[56] **References Cited**

U.S. PATENT DOCUMENTS

5,540,130 7/1996 Huang et al. 83/783 X

1 Claim, 6 Drawing Sheets



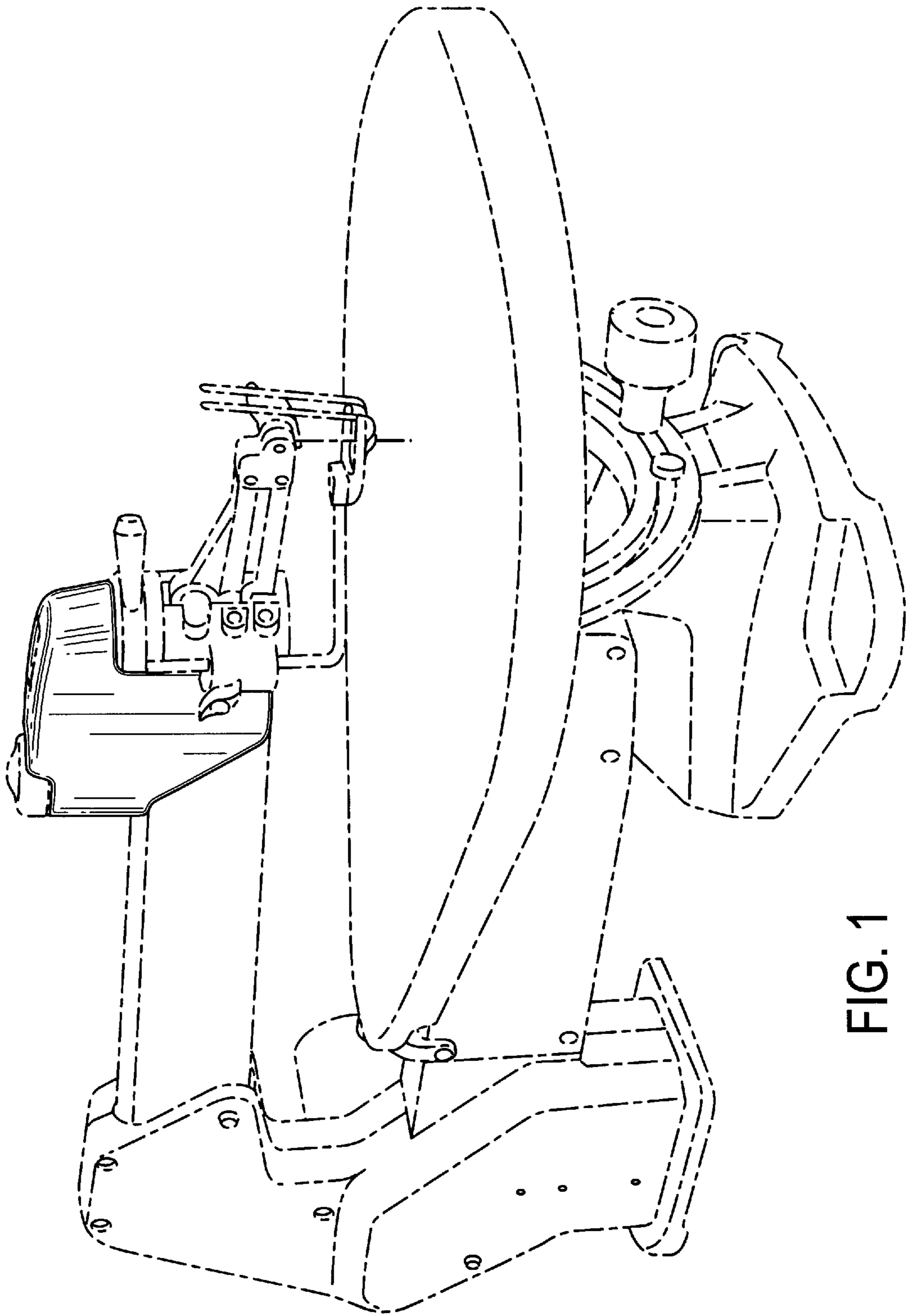


FIG. 1

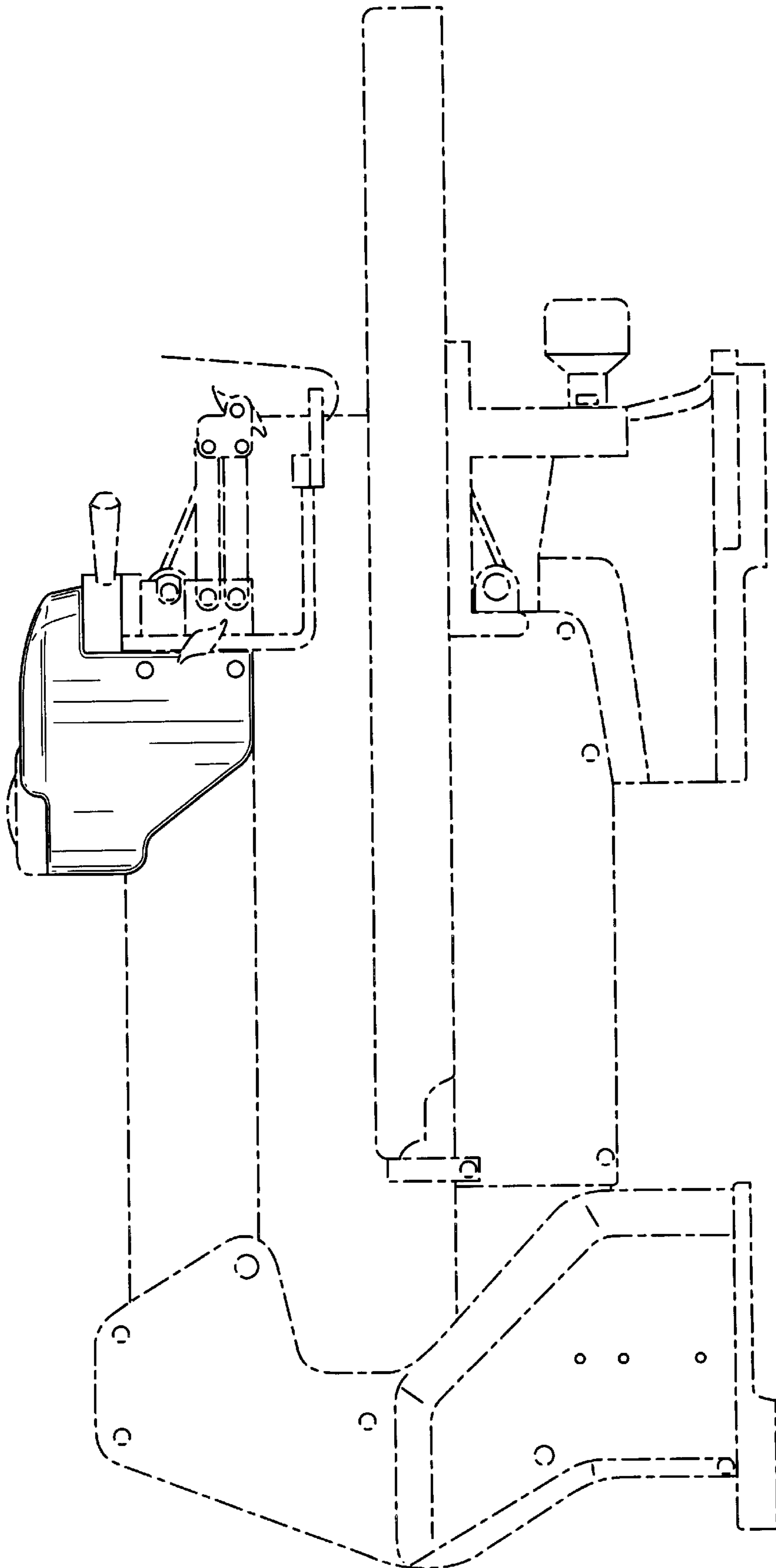


FIG. 2

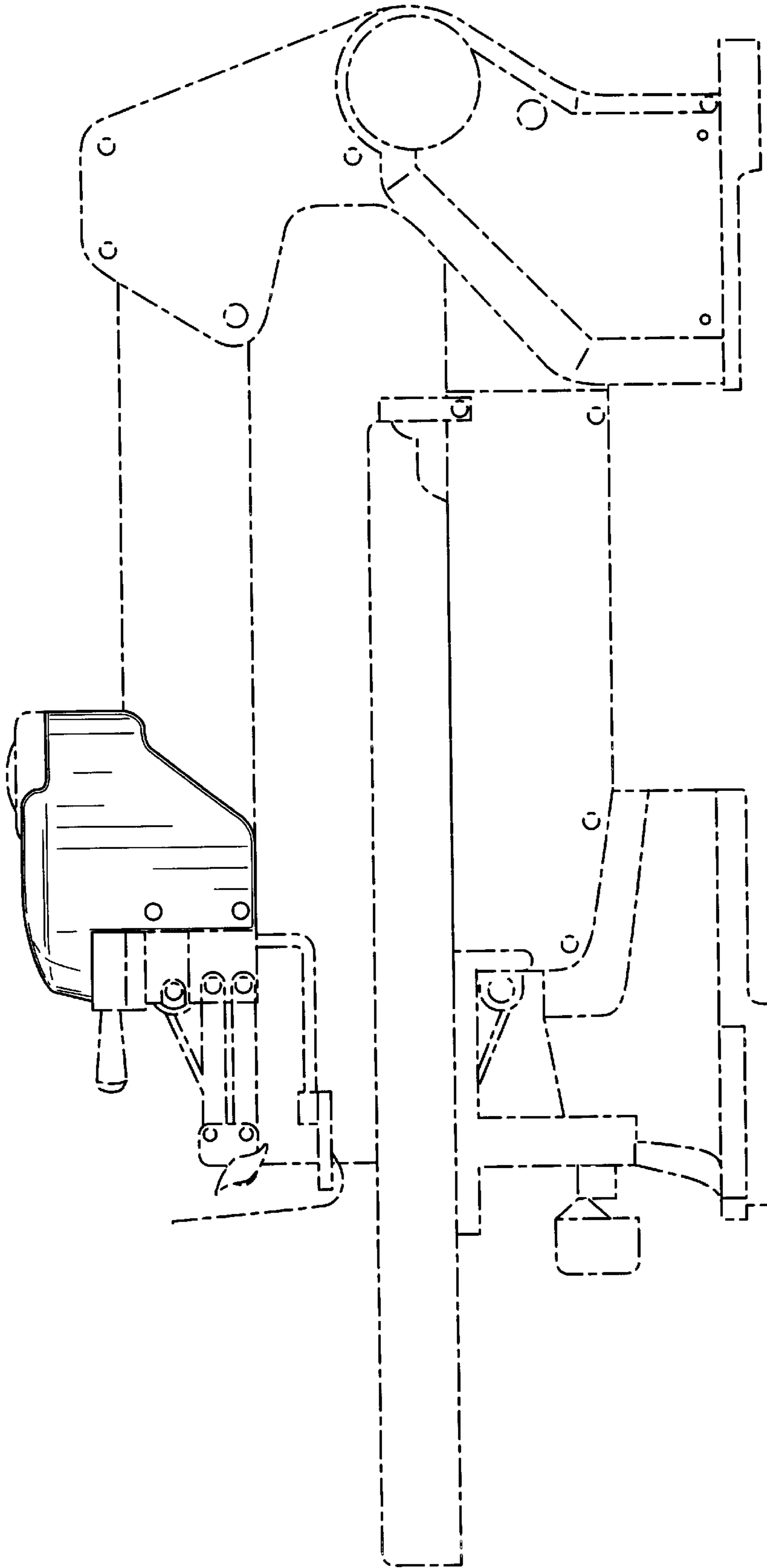


FIG. 3

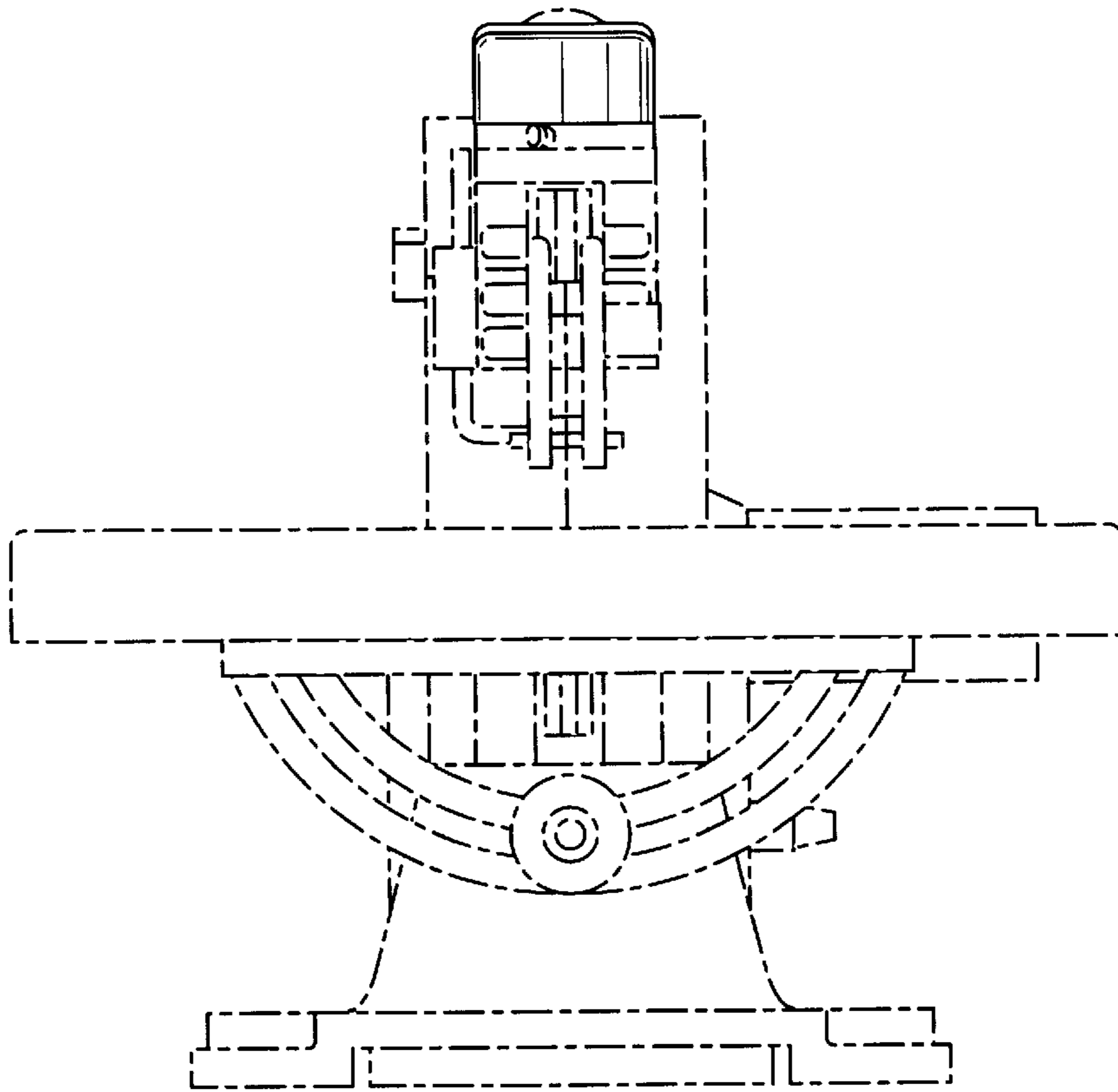


FIG. 4

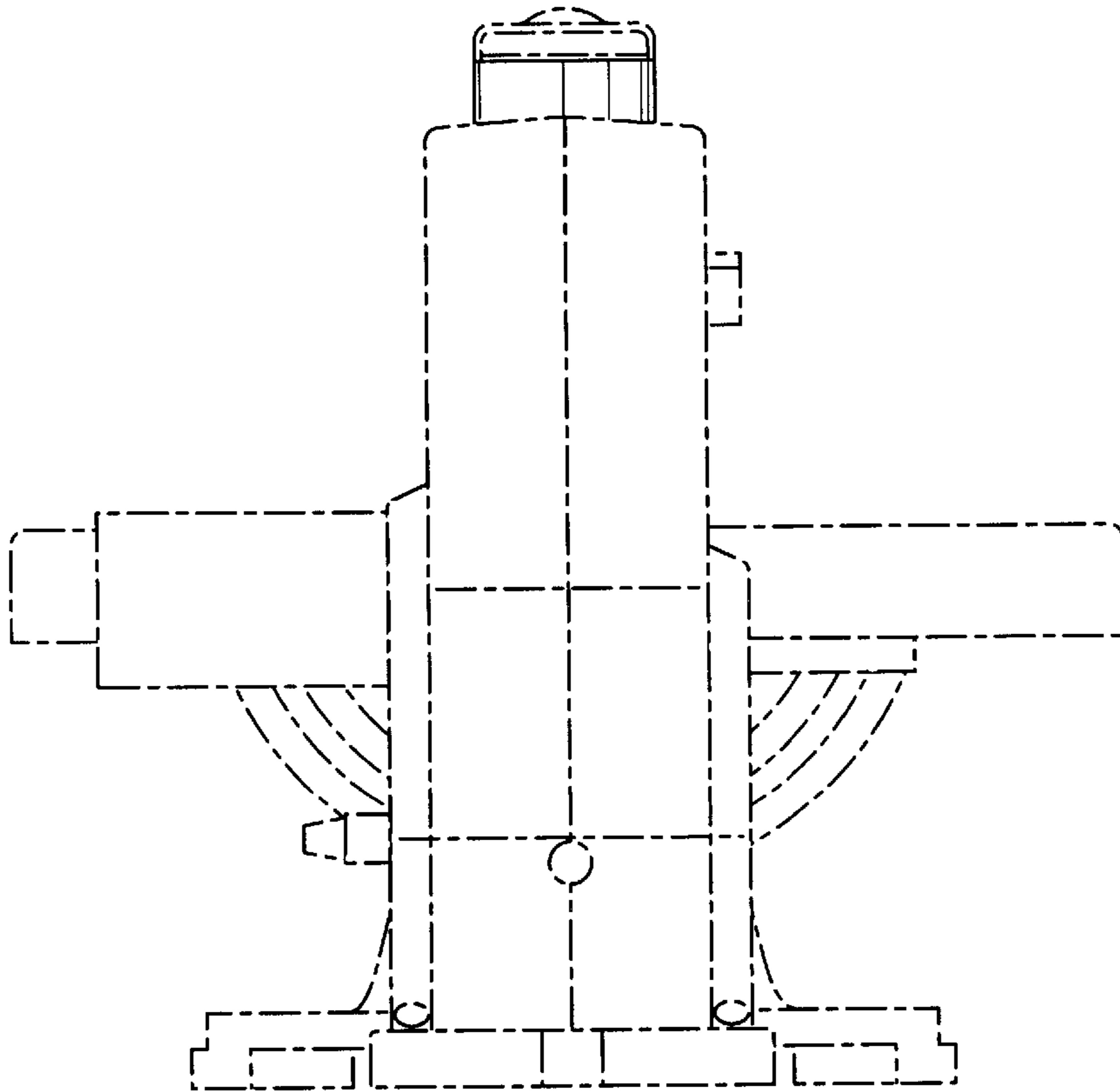


FIG. 5

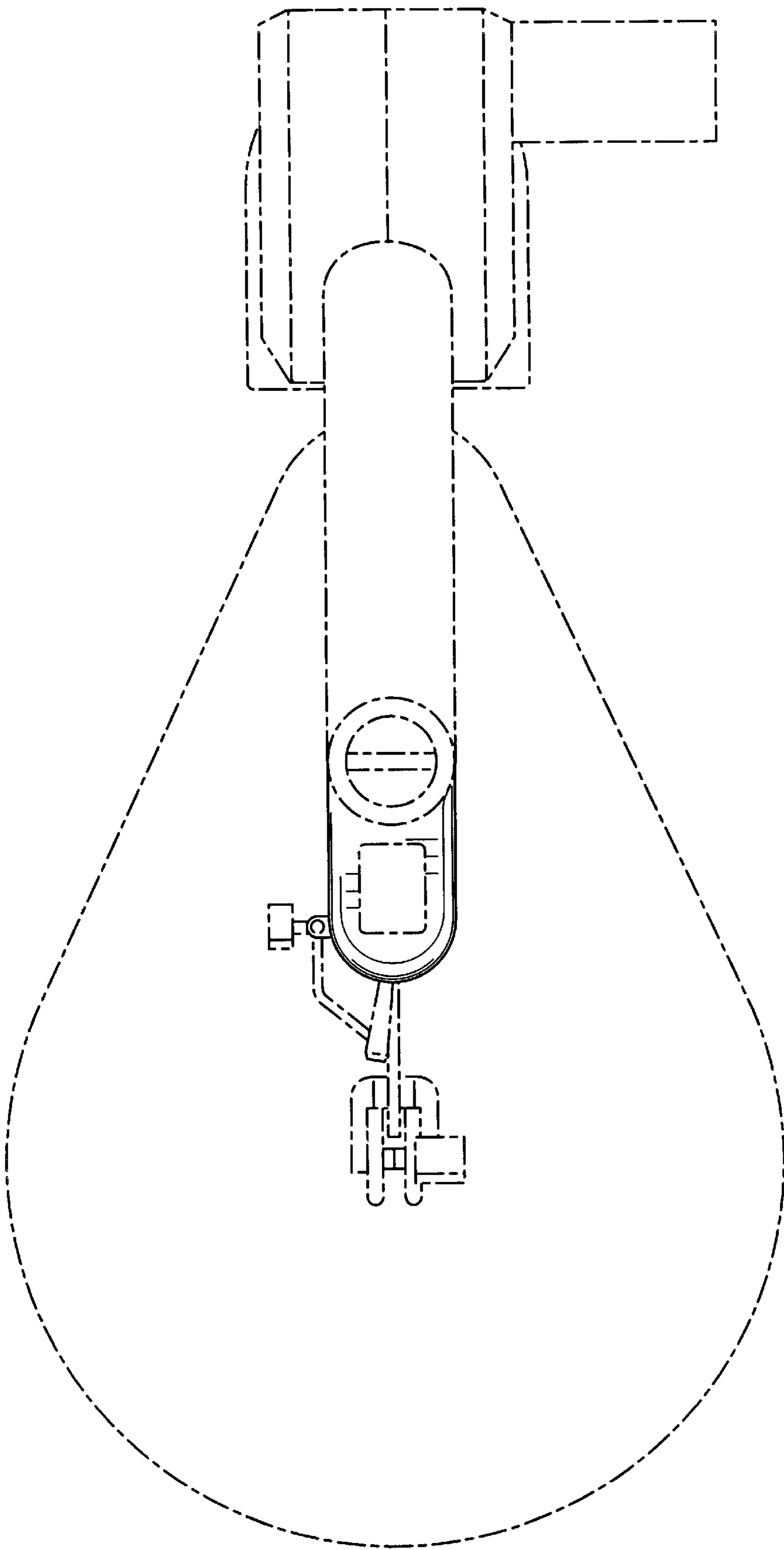


FIG. 6

