



US00D407420S

United States Patent [19]
Edwards

[11] **Patent Number: Des. 407,420**

[45] **Date of Patent: **Mar. 30, 1999**

[54] **TOOTHED DEVICE FOR USE WITH
POWERED DIGGERS**

[76] Inventor: **Gerald D. Edwards**, 8801 Hammerly,
#1301, Houston, Tex. 77080

[**] Term: **14 Years**

[21] Appl. No.: **65,121**

[22] Filed: **Jan. 21, 1997**

[51] **LOC (6) Cl.** **15-04**

[52] **U.S. Cl.** **D15/29**

[58] **Field of Search** D15/10, 11, 21,
D15/28, 29, 32; 37/452-454

[56] **References Cited**

U.S. PATENT DOCUMENTS

- D. 215,953 11/1969 Edwards D15/29
- D. 237,644 11/1975 Williams et al. D15/29
- D. 243,843 3/1977 Edwards D15/29

- D. 354,291 1/1995 Edwards D15/29
- 3,055,128 9/1962 Edwards 37/452
- 4,028,823 6/1977 Edwards et al. 37/452
- 4,329,798 5/1982 Edwards 37/452

Primary Examiner—Sandra L. Morris

[57] **CLAIM**

I claim the original design for a toothed device for use with powered diggers, as shown.

DESCRIPTION

FIG. 1 is a perspective view of a toothed device for use with powered diggers, showing my new design;
FIG. 2 is a top plan view thereof;
FIG. 3 is a right side elevational view thereof;
FIG. 4 is a front elevational view thereof;
FIG. 5 is a rear elevational view thereof;
FIG. 6 is a bottom plan view thereof; and,
FIG. 7 is a left side elevational view thereof.

1 Claim, 2 Drawing Sheets

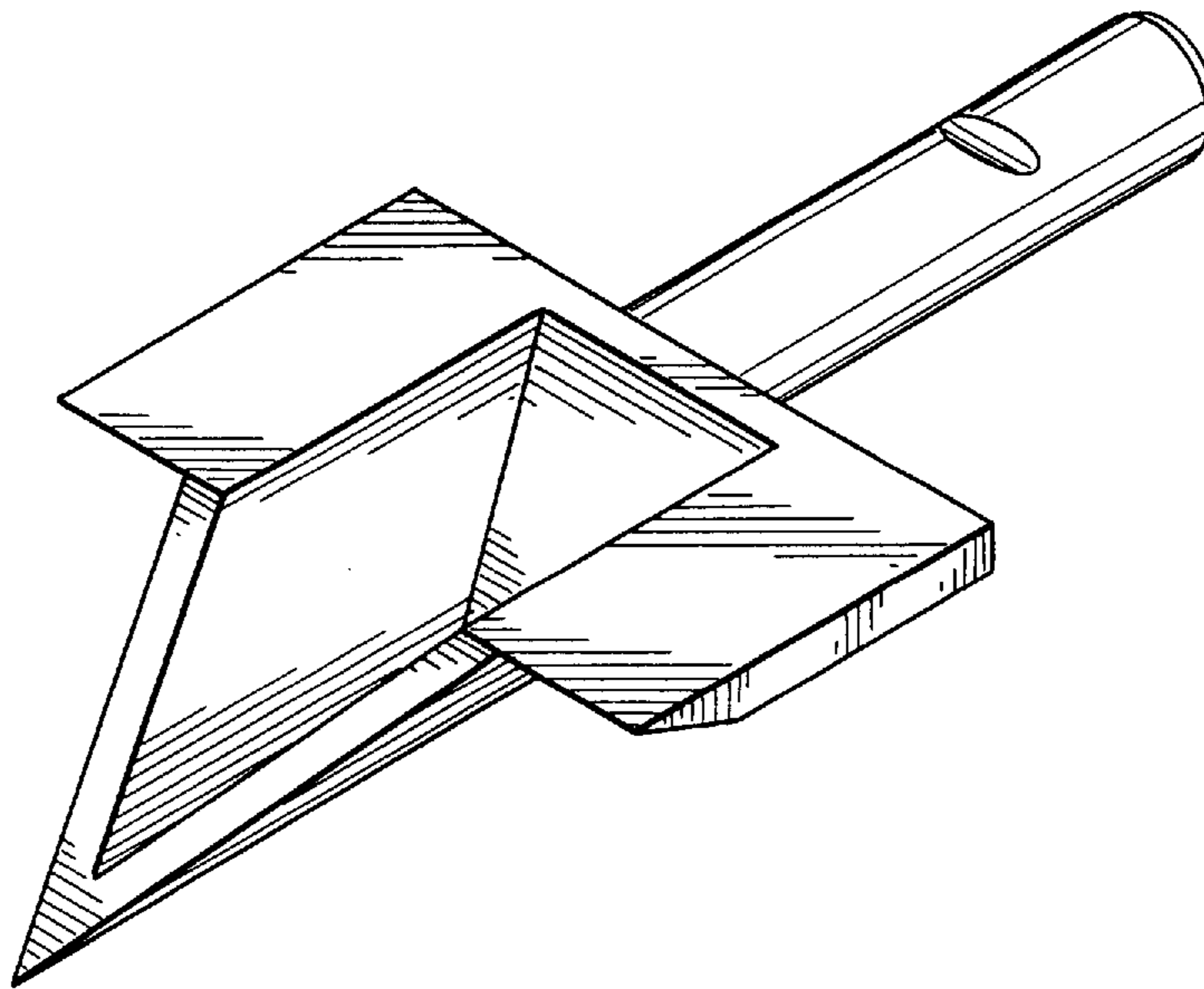


FIG. 1

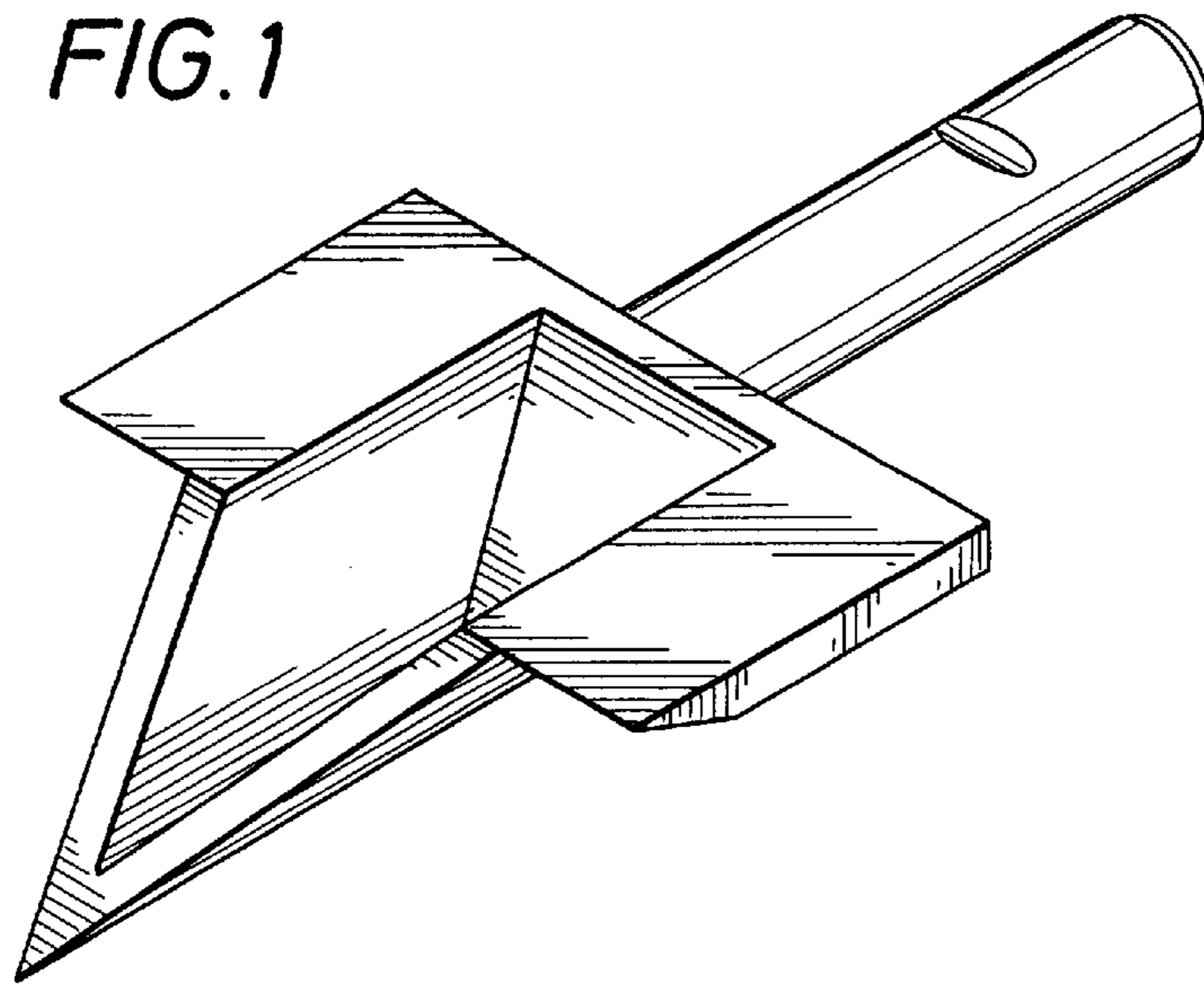


FIG. 2

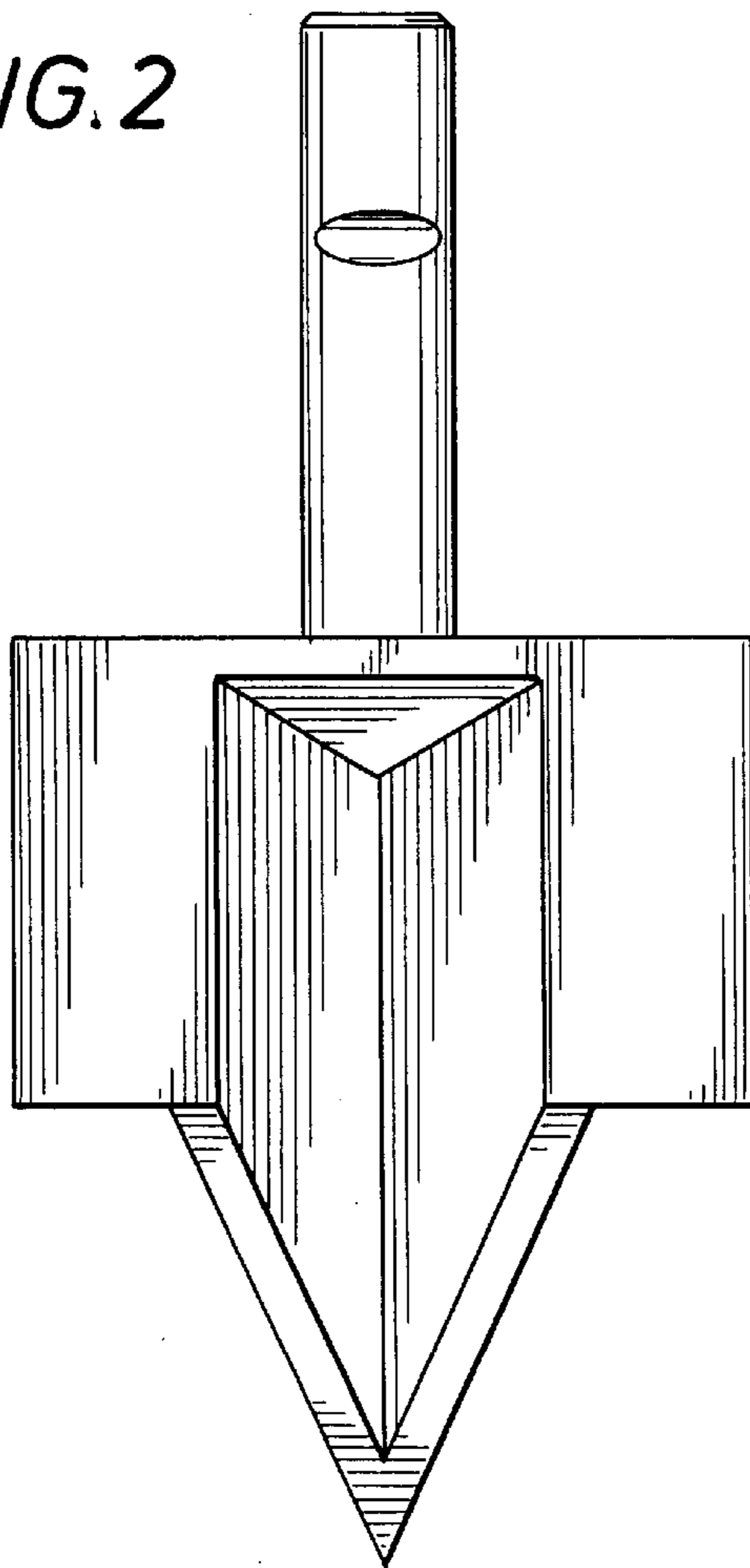
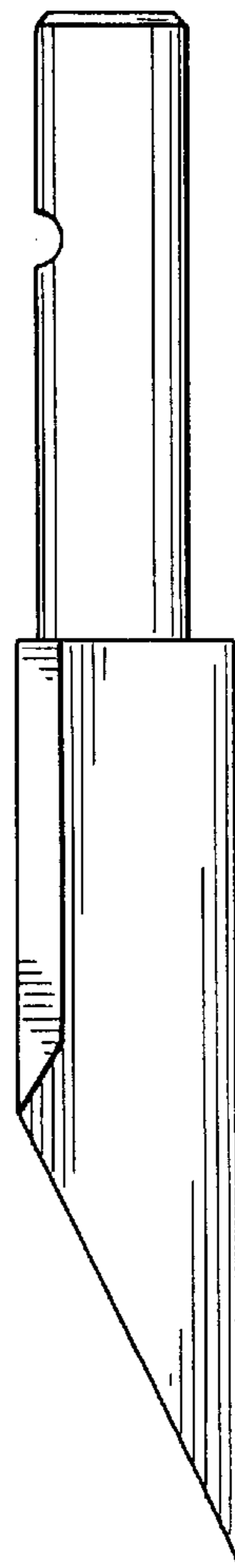


FIG. 3



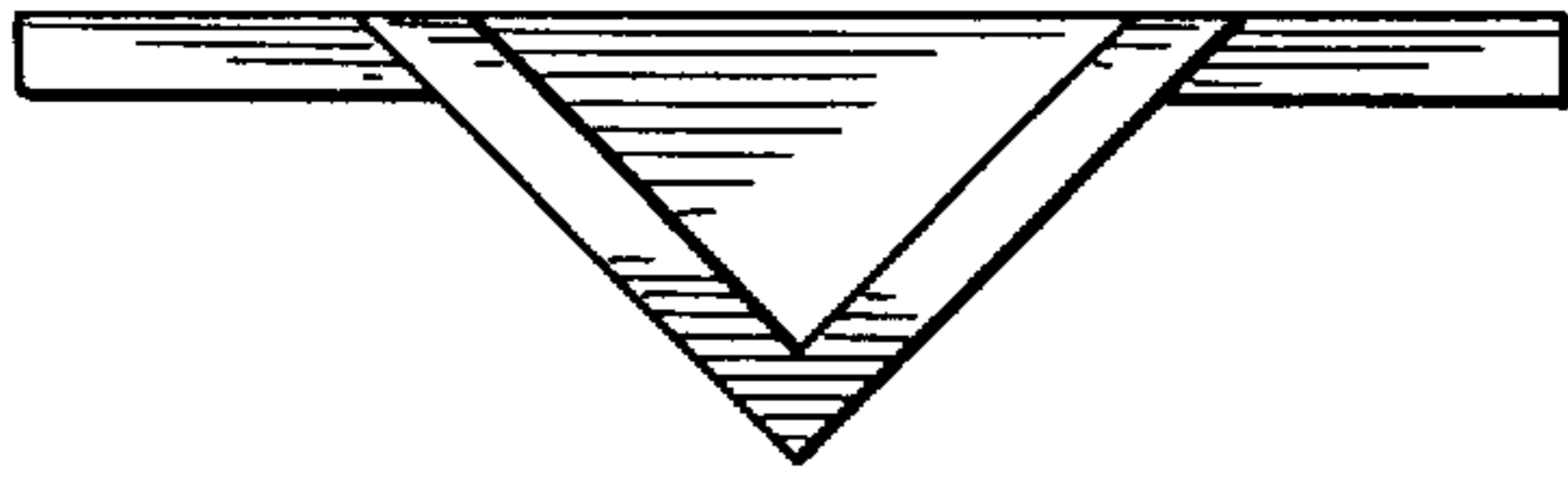


FIG. 4

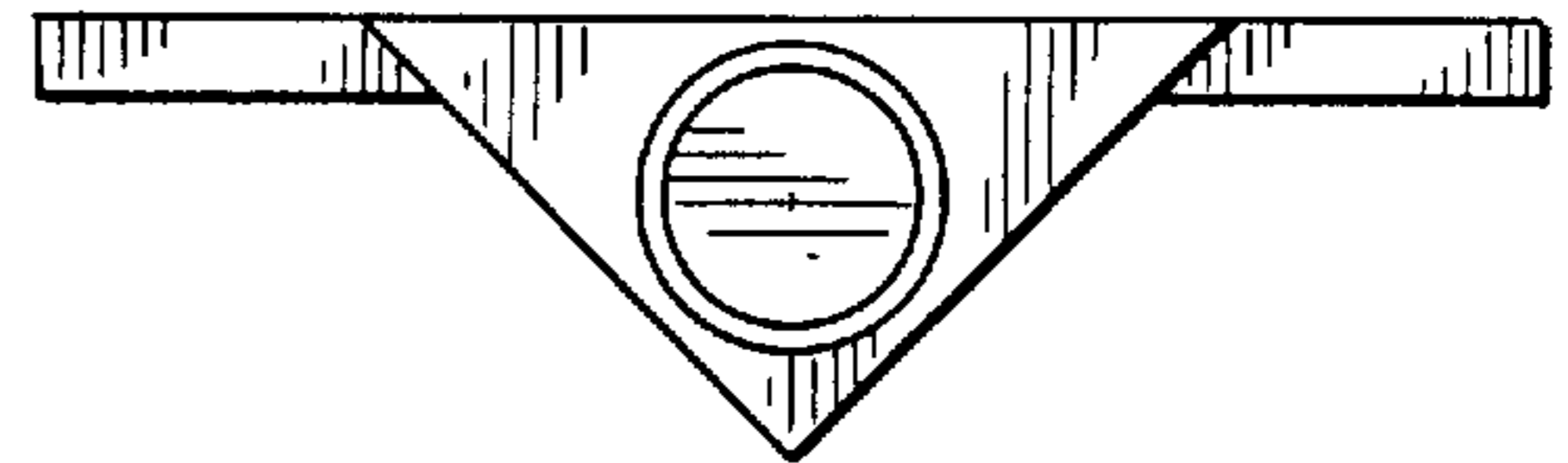


FIG. 5

FIG. 6

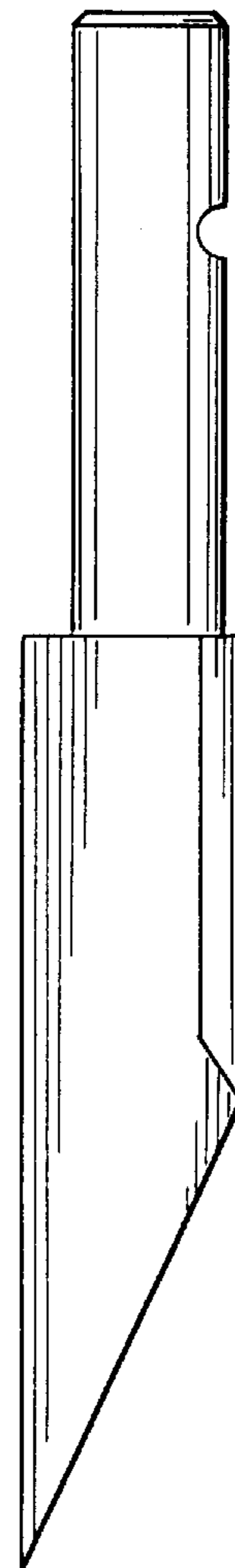
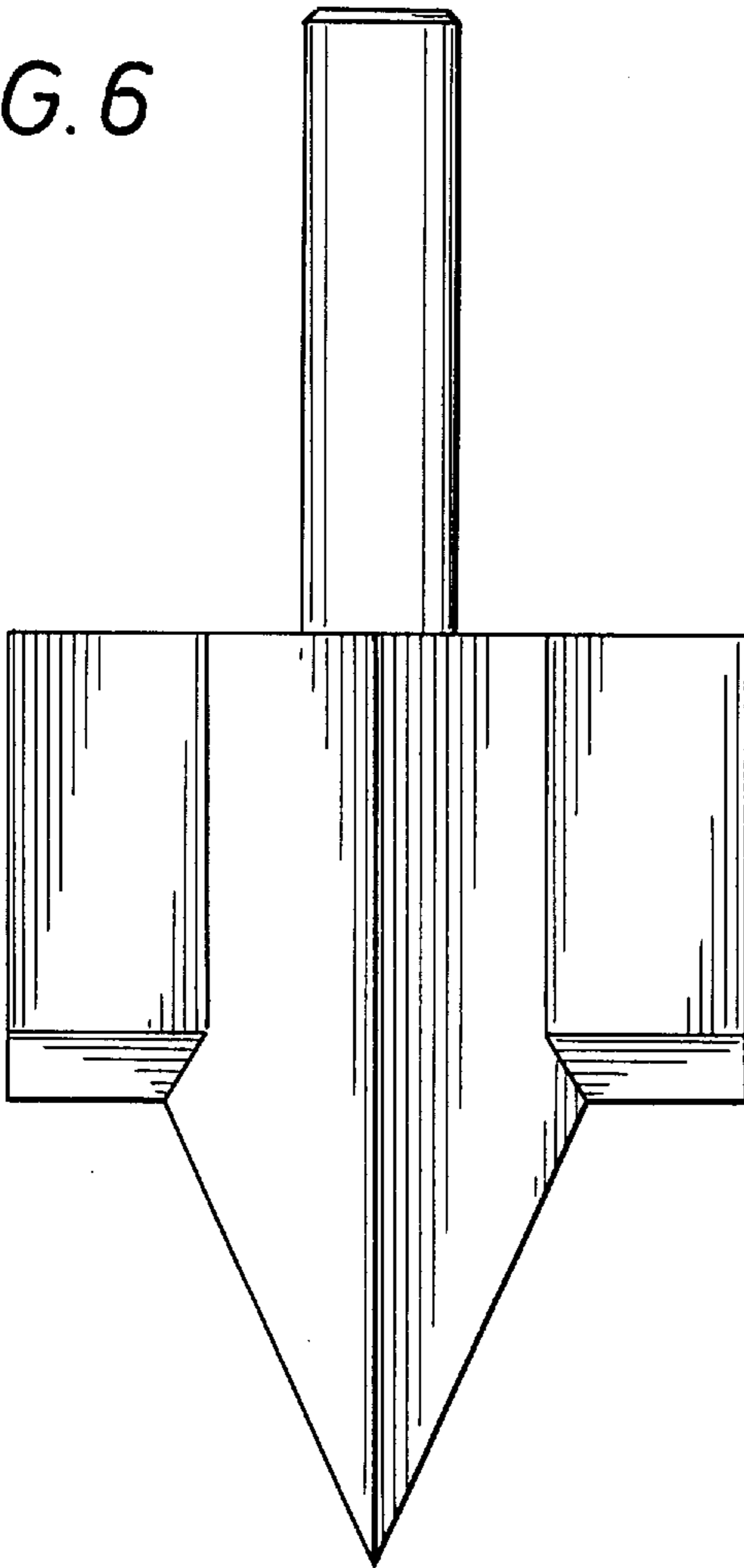


FIG. 7