



US00D407419S

United States Patent [19]

[11] **Patent Number: Des. 407,419**

Burch

[45] **Date of Patent: **Mar. 30, 1999**

[54] **STACKABLE CONTAINER FOR DISPENSING FLUID**

Attorney, Agent, or Firm—Dougherty & Associates

[76] Inventor: **Thomas B. Burch**, P.O. Box 1046,
North Wilkesboro, N.C. 28659

[57] **CLAIM**

The ornamental design for a stackable container for dispensing fluid, as shown and described.

[**] Term: **14 Years**

DESCRIPTION

[21] Appl. No.: **82,144**

FIG. 1 is a perspective view of a stackable container for dispensing fluid, showing my new design;

[22] Filed: **Nov. 10, 1997**

FIG. 2 is a left side elevational view of the stackable container of FIG. 1;

Related U.S. Application Data

[63] Continuation-in-part of Ser. No. 47,779, Dec. 12, 1995, Pat. No. Des. 386,190.

FIG. 3 is a top view thereof;

[51] **LOC (6) Cl. 15-03**

FIG. 4 is a front elevational view thereof;

[52] **U.S. Cl. D15/28; D23/208**

FIG. 5 is a right elevational view thereof;

[58] **Field of Search D23/208, 200, D23/202; D15/28; D9/416, 417; 220/581-2, 4.12, 4.13; 222/168, 424.5**

FIG. 6 is a rear side elevational view thereof;

FIG. 7 is a bottom view thereof;

FIG. 8 is a perspective view of an alternative embodiment of a stackable container for dispensing fluid, showing my new design;

FIG. 9 is a left side elevational view of the stackable container of FIG. 8;

References Cited

U.S. PATENT DOCUMENTS

D. 293,704	1/1988	Hart et al.	D23/202
D. 309,652	7/1990	Chalberg et al.	D23/207
D. 344,571	2/1994	Peasley	D23/202
D. 386,190	11/1997	Burch	D15/28

FIG. 10 is a top view thereof;

FIG. 11 is a front elevational view thereof;

FIG. 12 is a right elevational view thereof;

FIG. 13 is a rear side elevational view thereof; and,

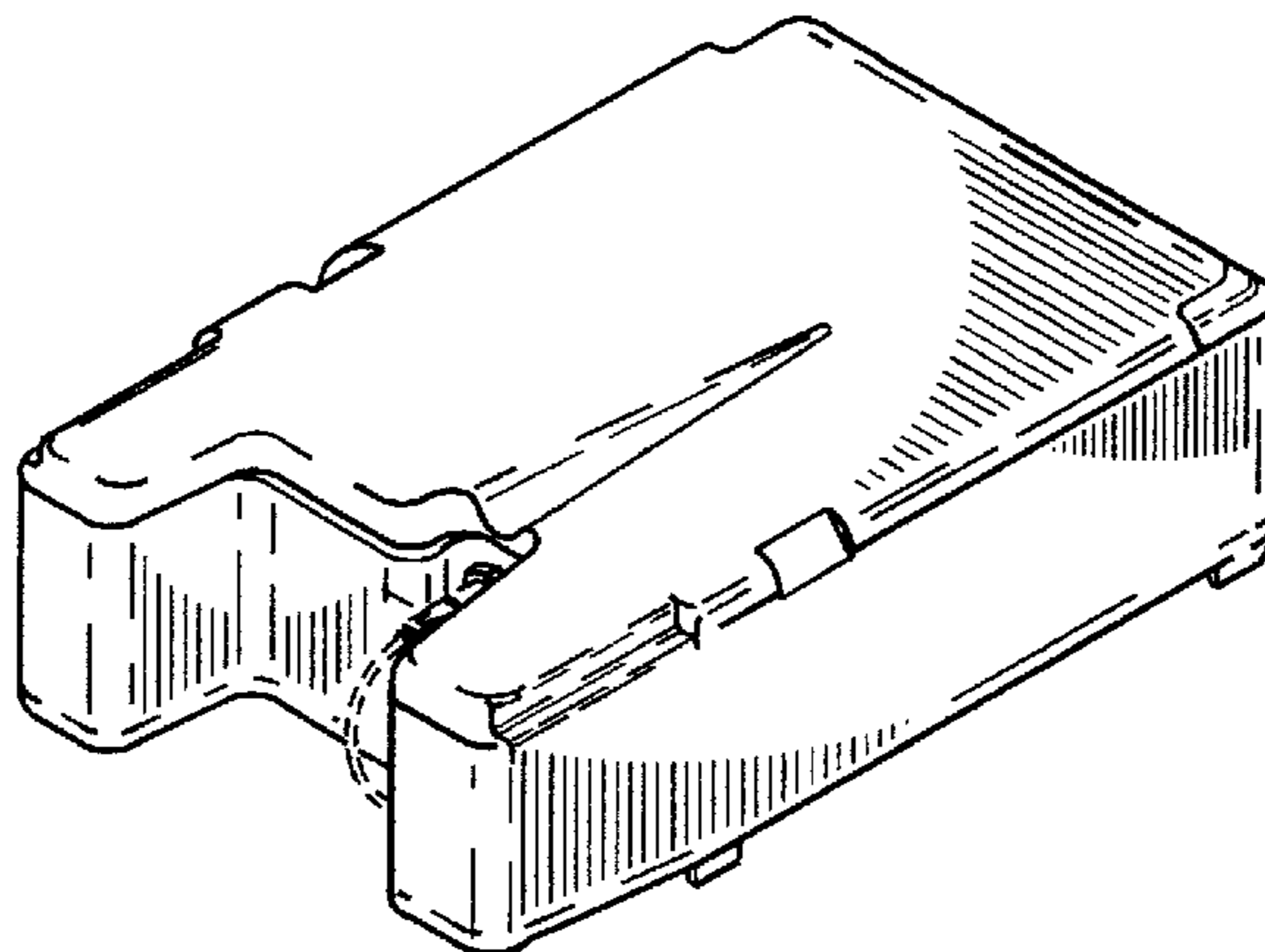
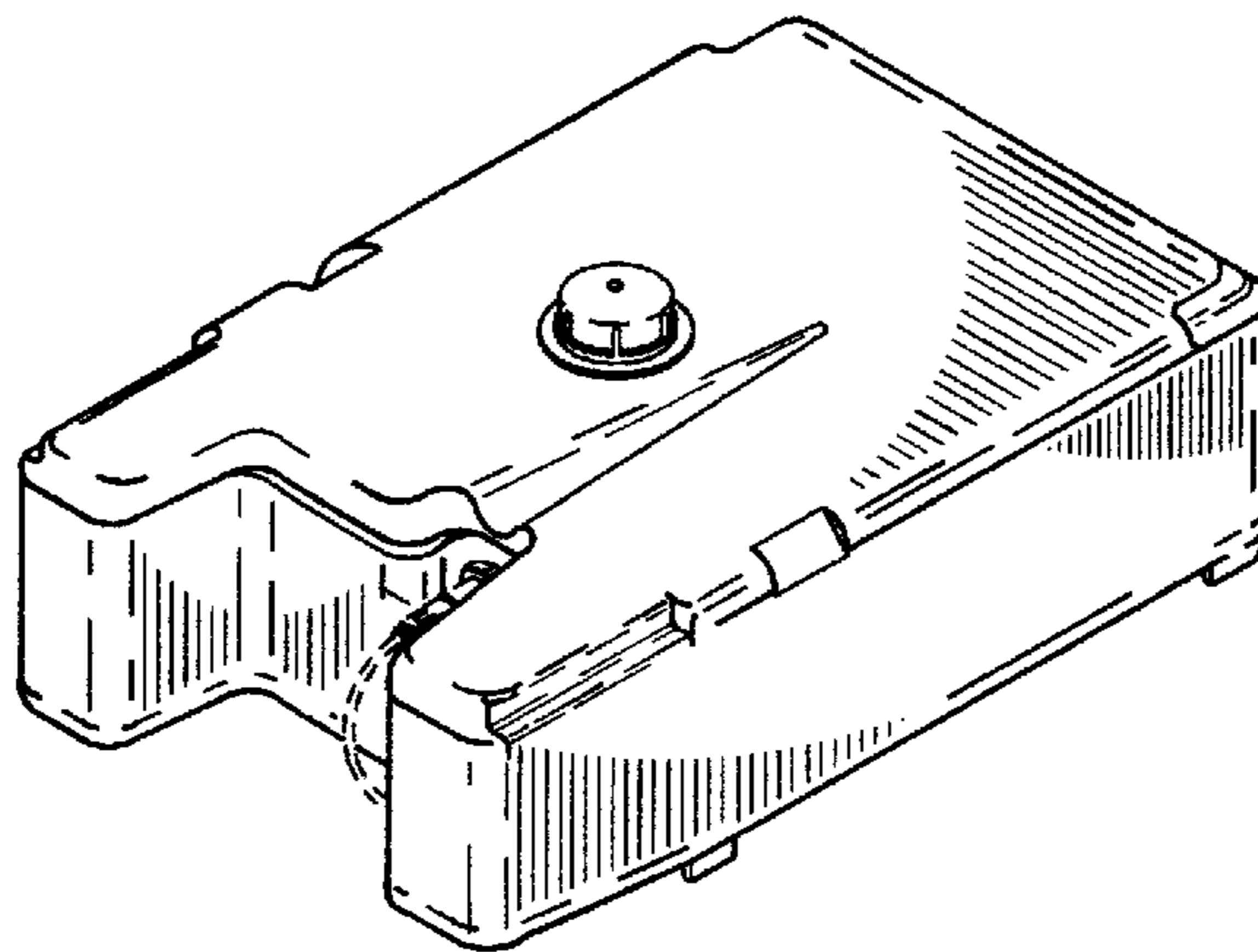
FIG. 14 is a bottom view thereof.

The broken line showing is for illustrative purposes only and forms no part of the claimed design.

Primary Examiner—Alan P. Douglas

Assistant Examiner—Robin V. Taylor

1 Claim, 2 Drawing Sheets



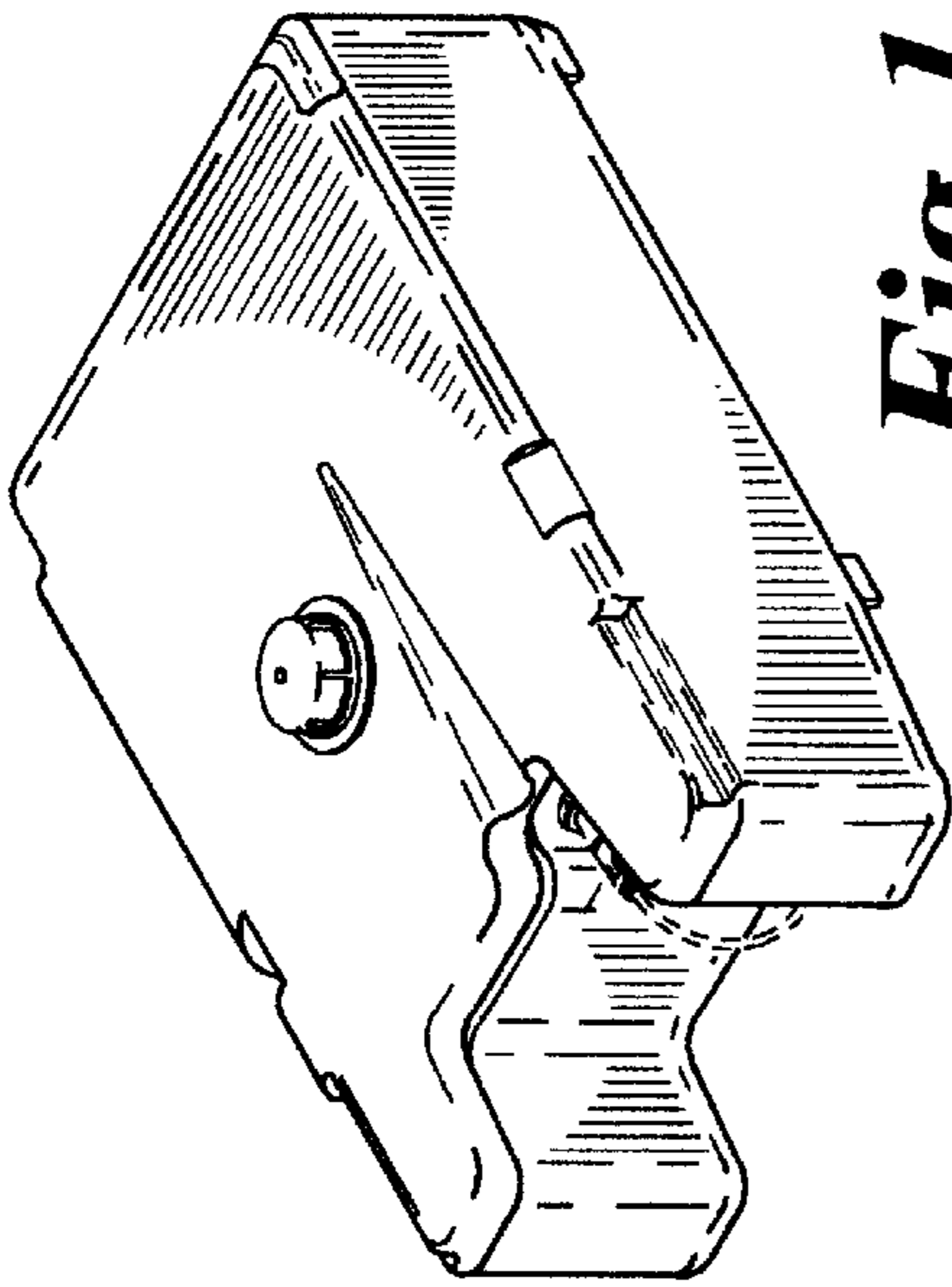


Fig. 1

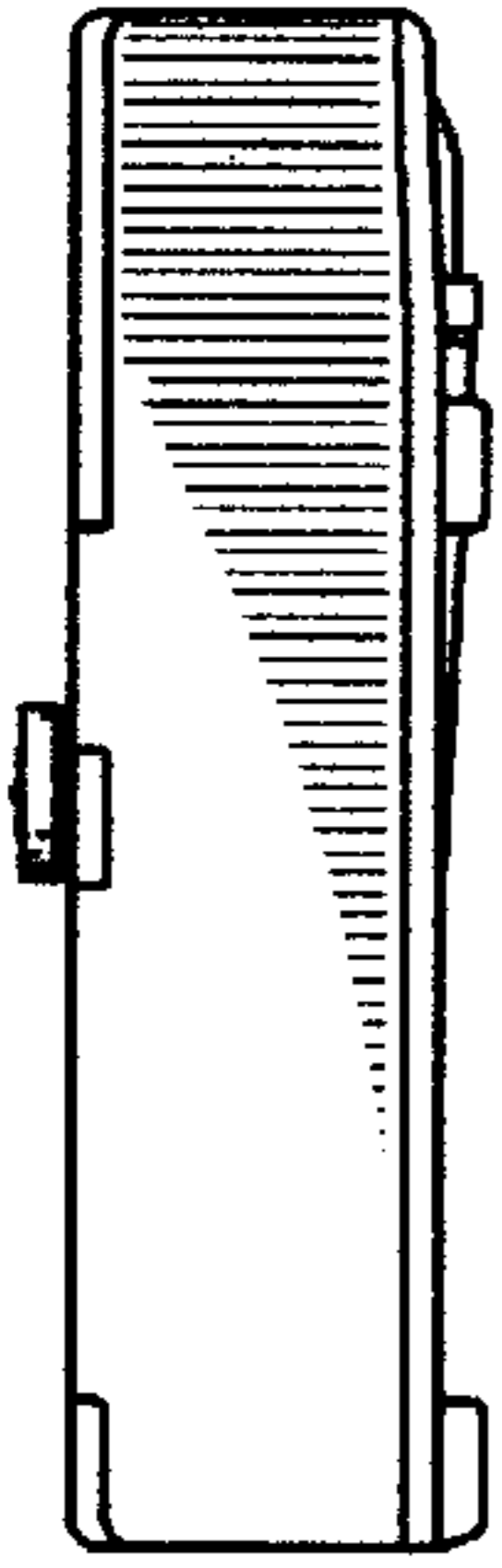


Fig. 2

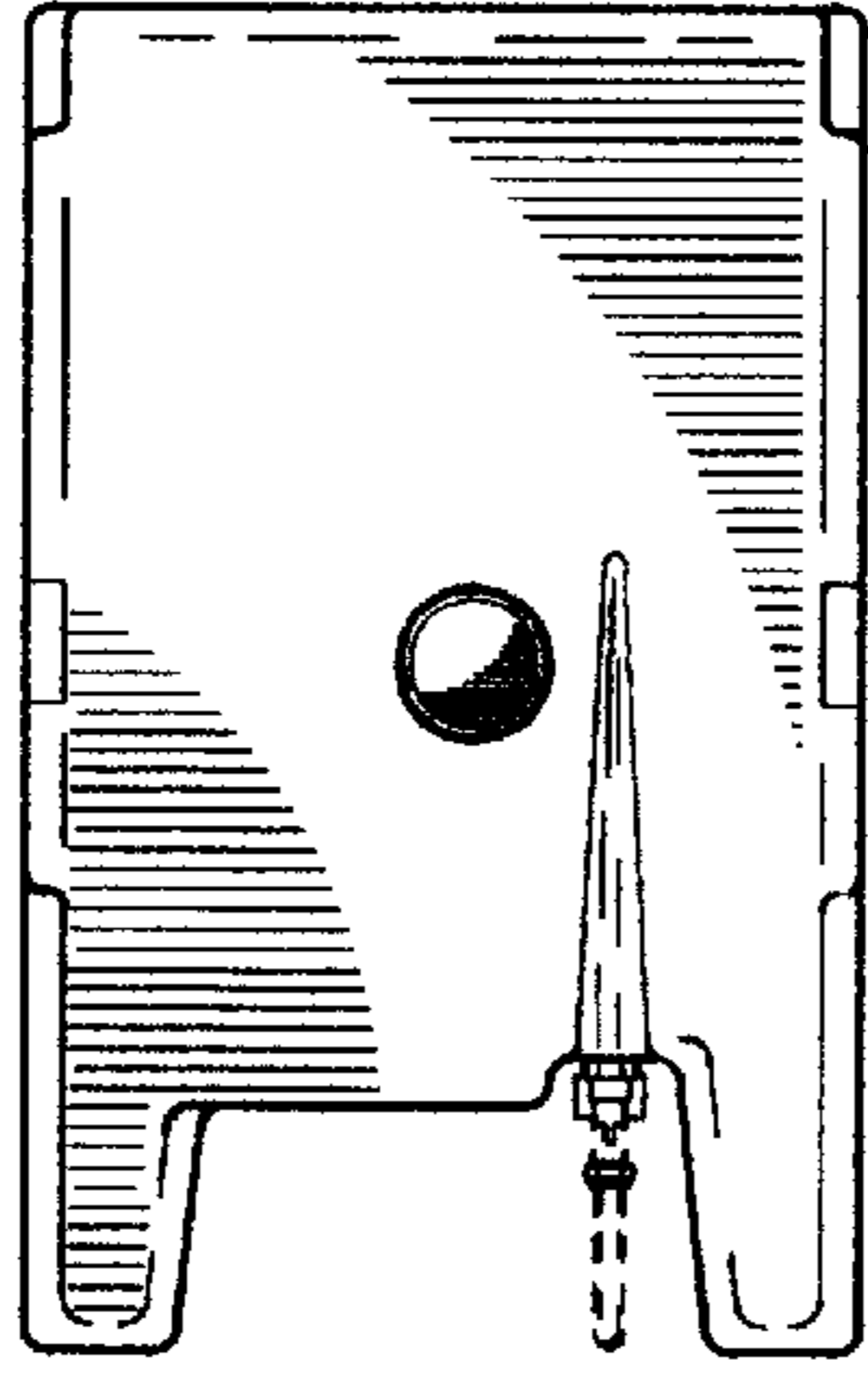


Fig. 3

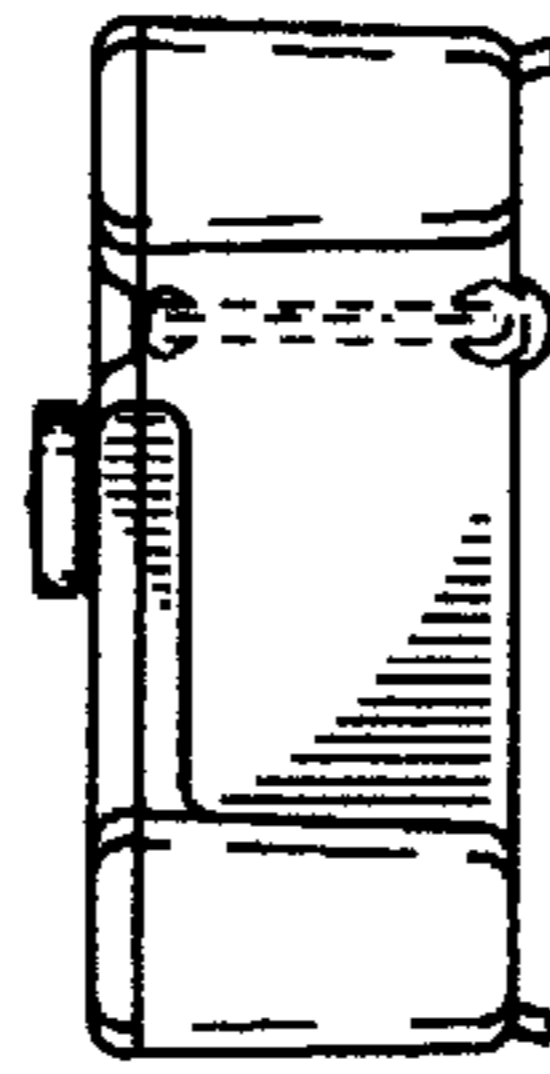


Fig. 4

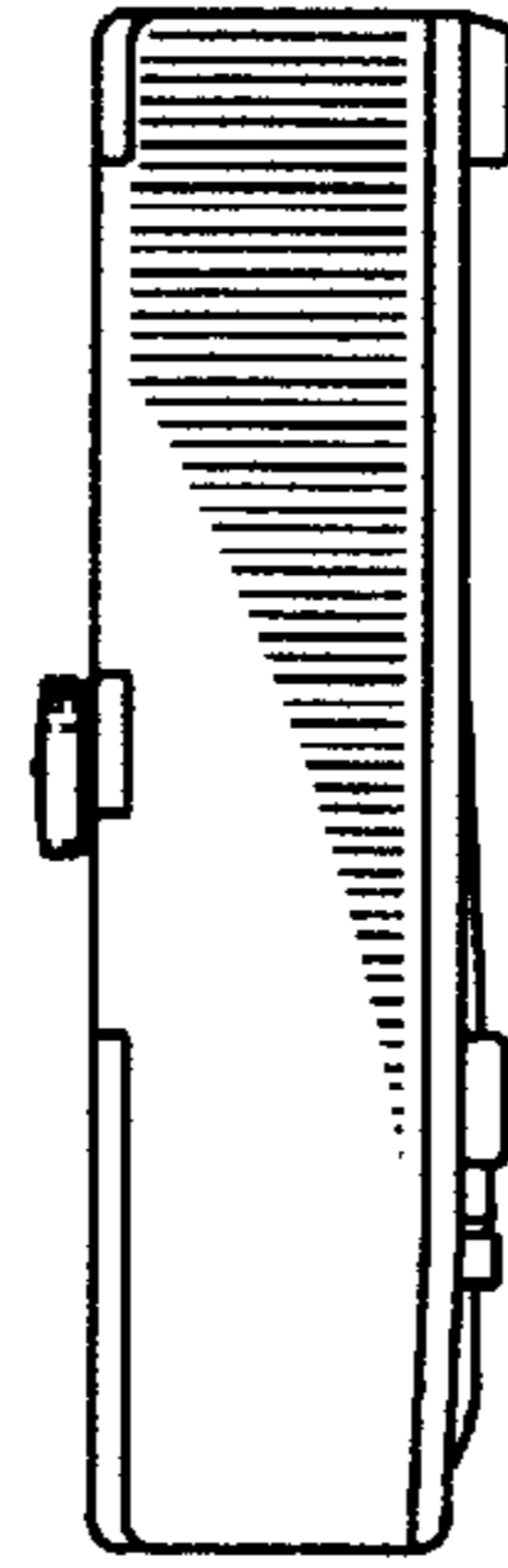


Fig. 5

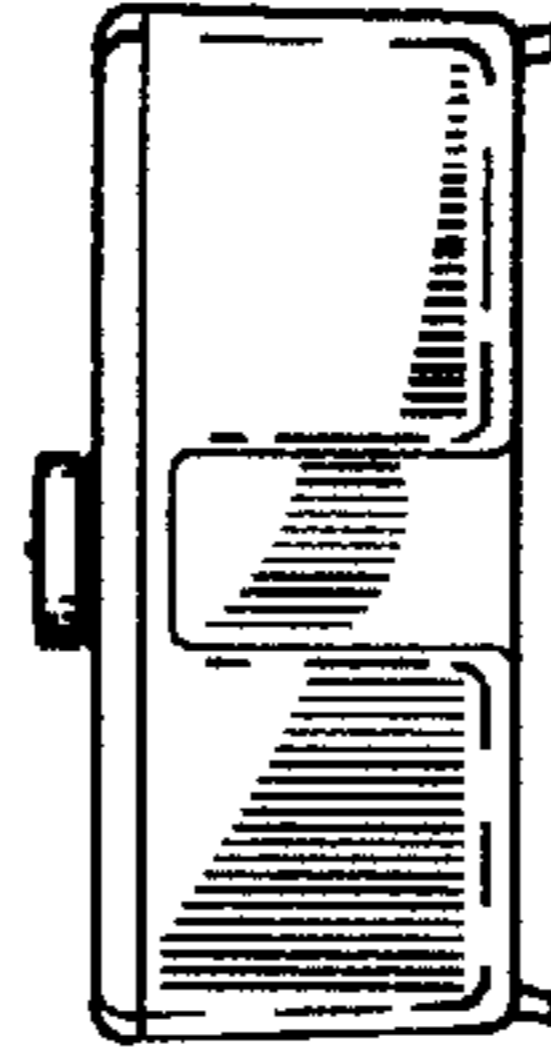


Fig. 6

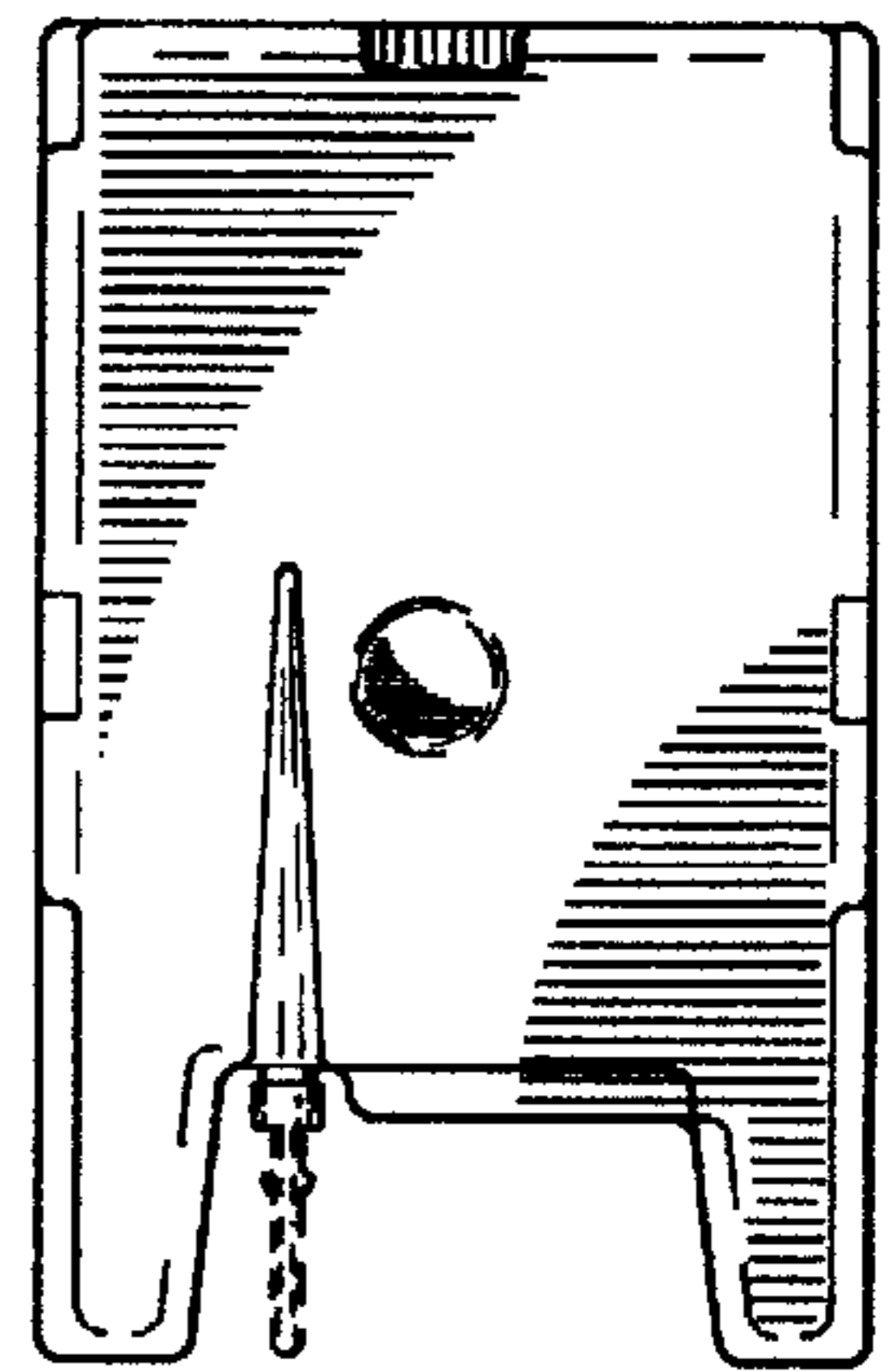


Fig. 7

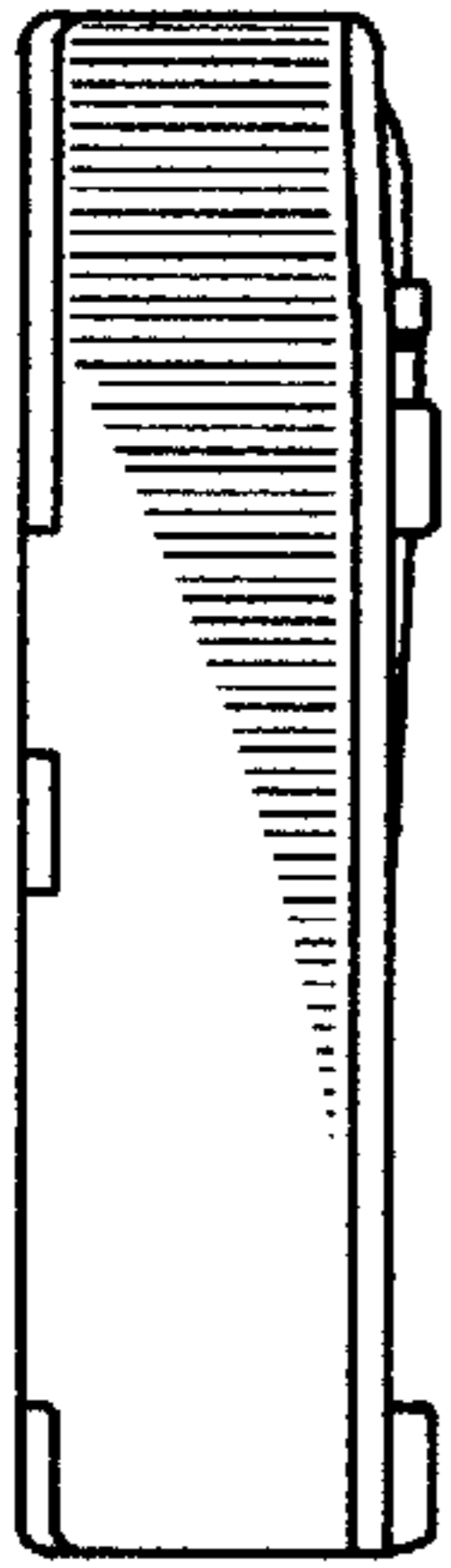


Fig. 9

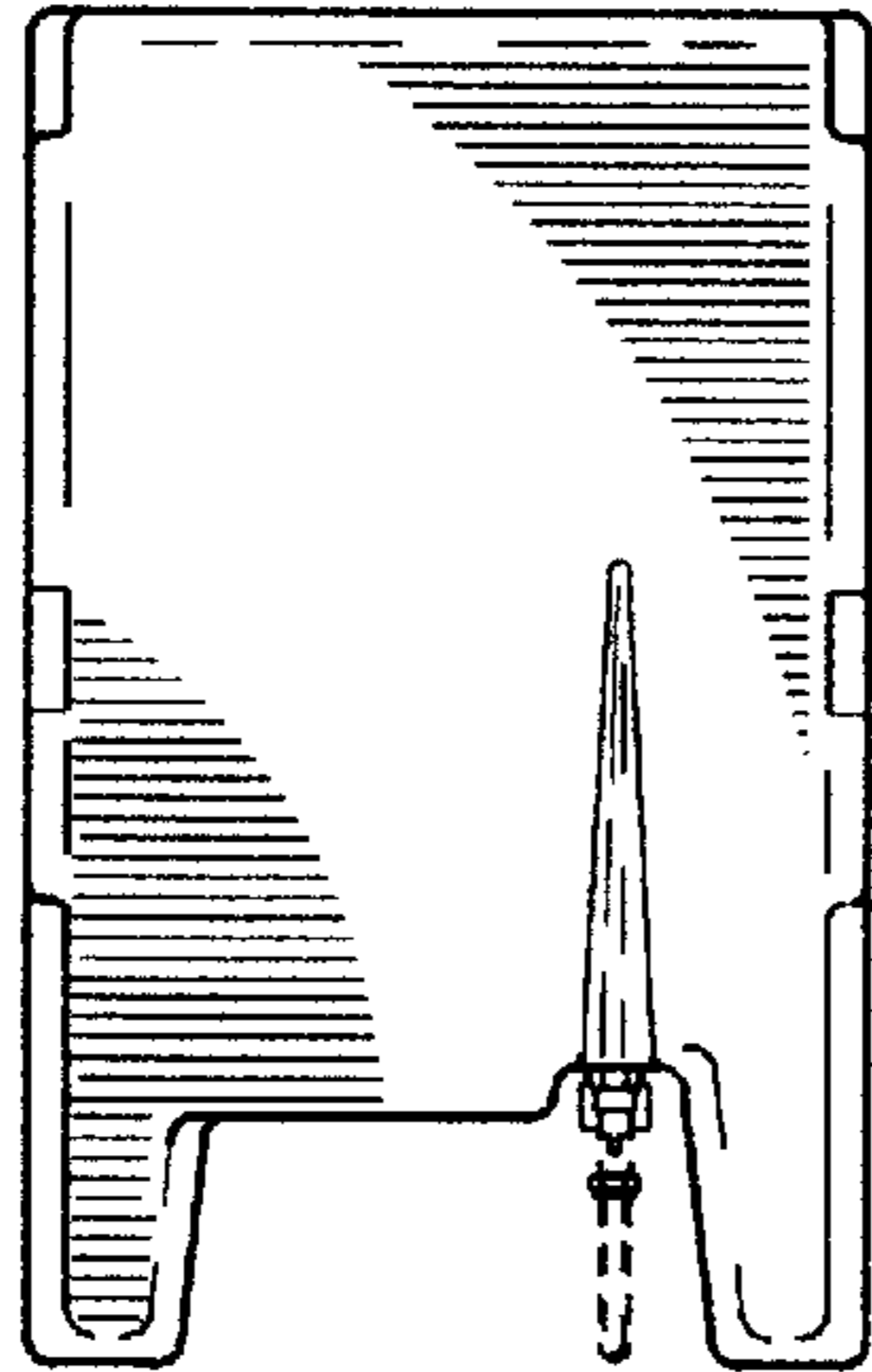


Fig. 10

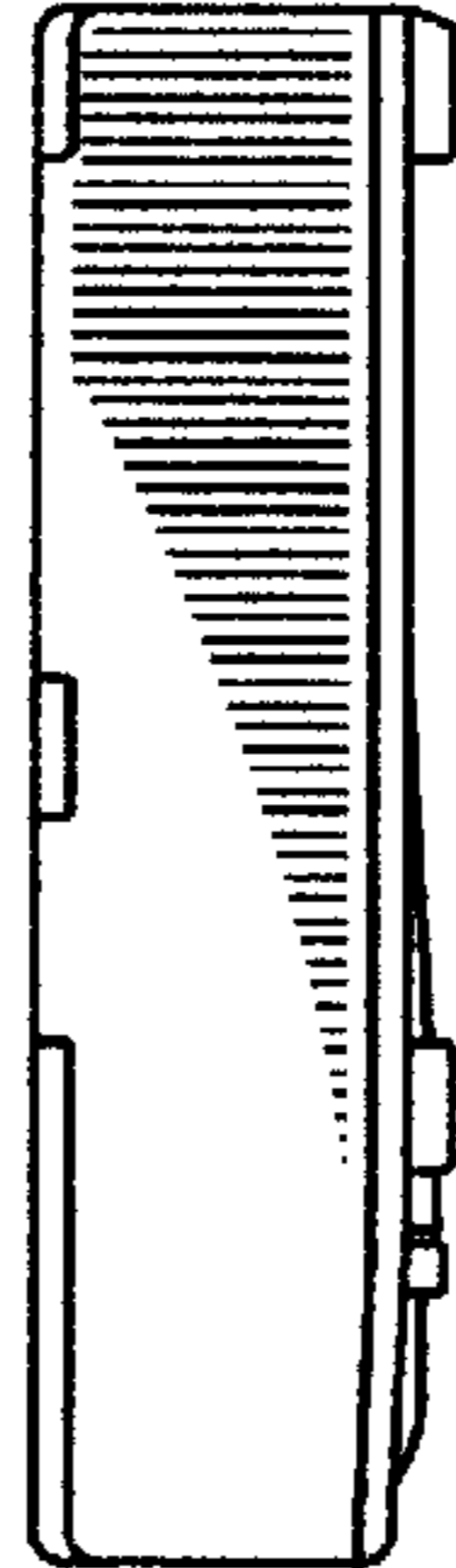


Fig. 12

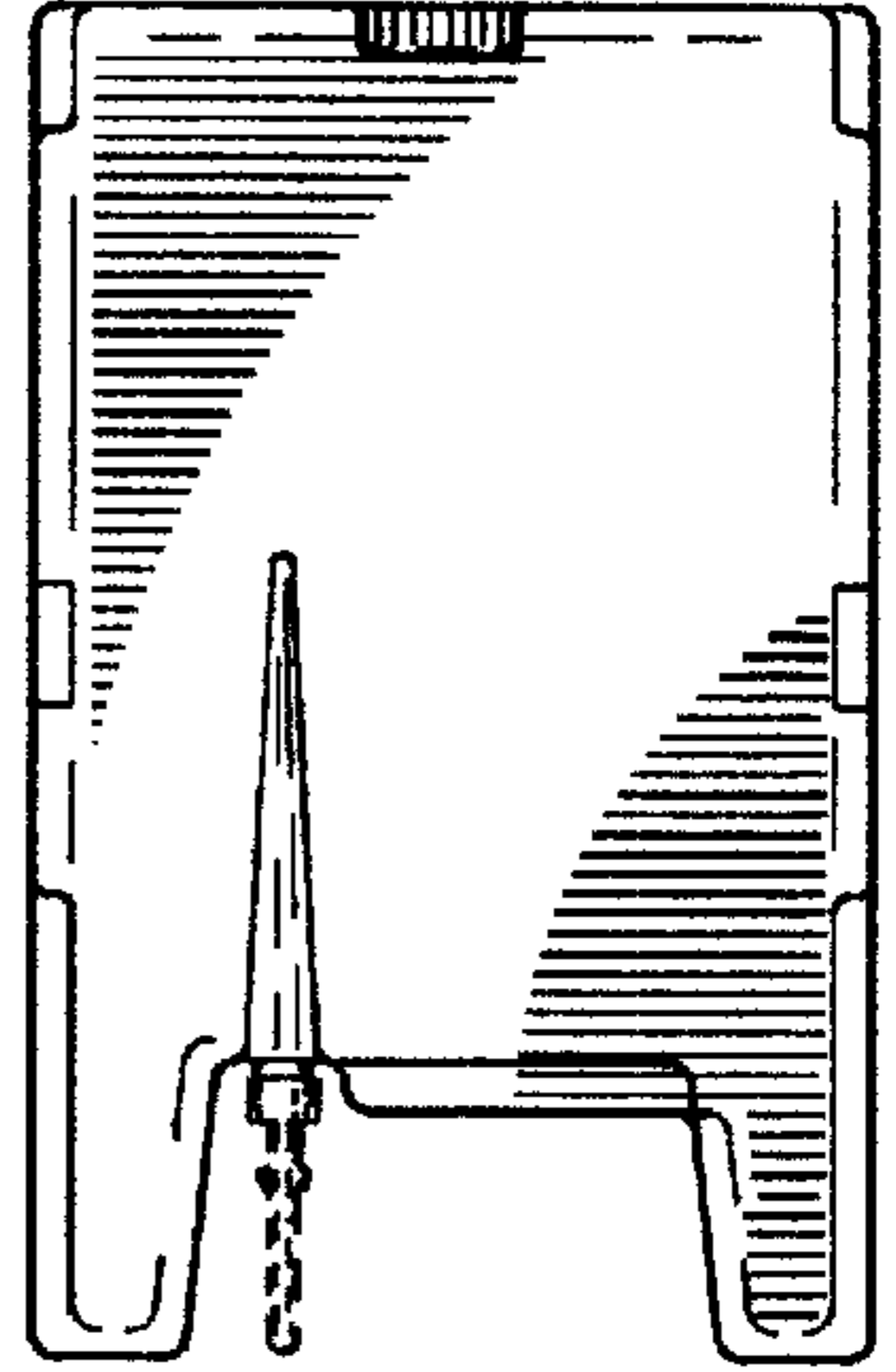


Fig. 14

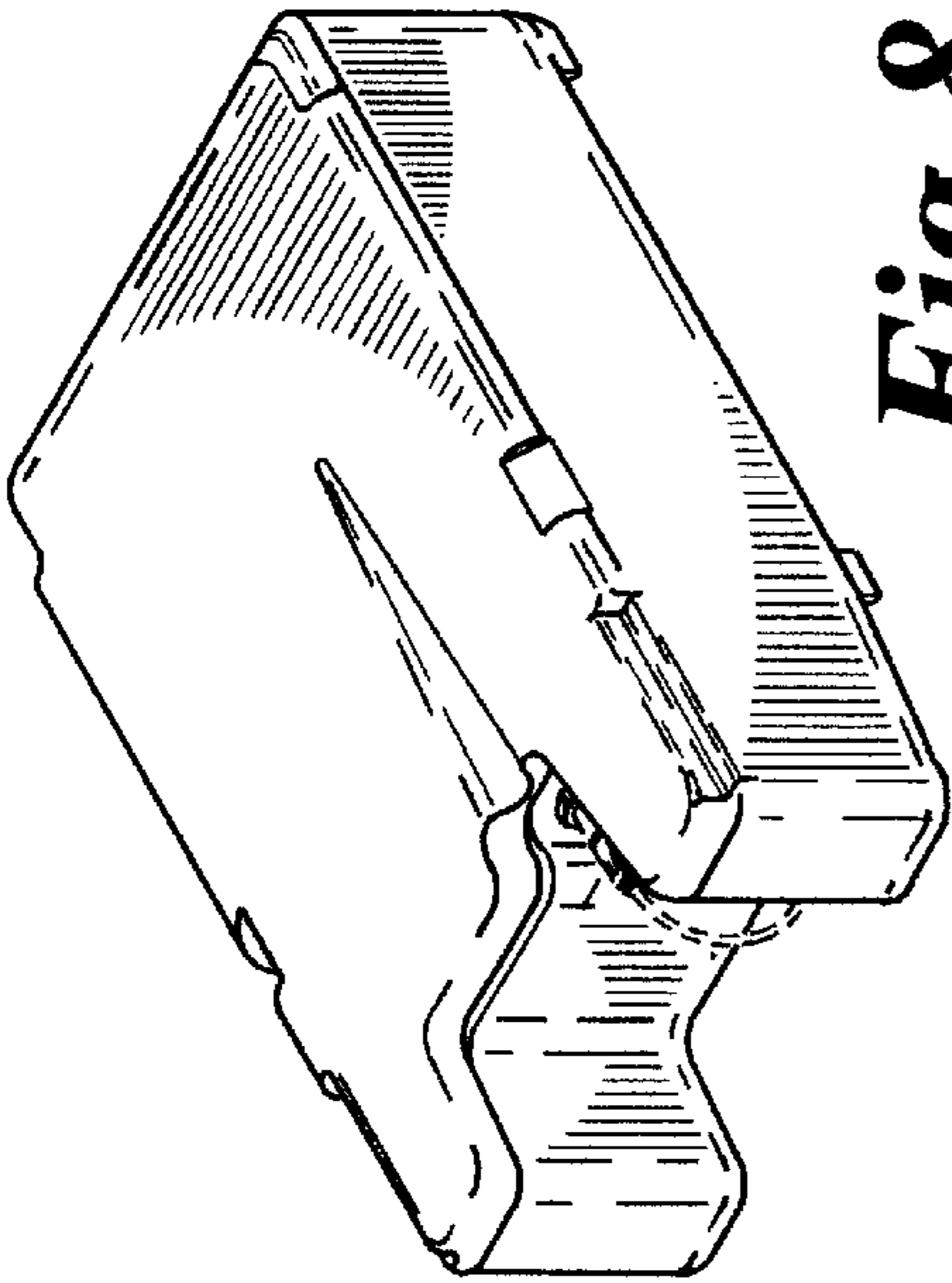


Fig. 8

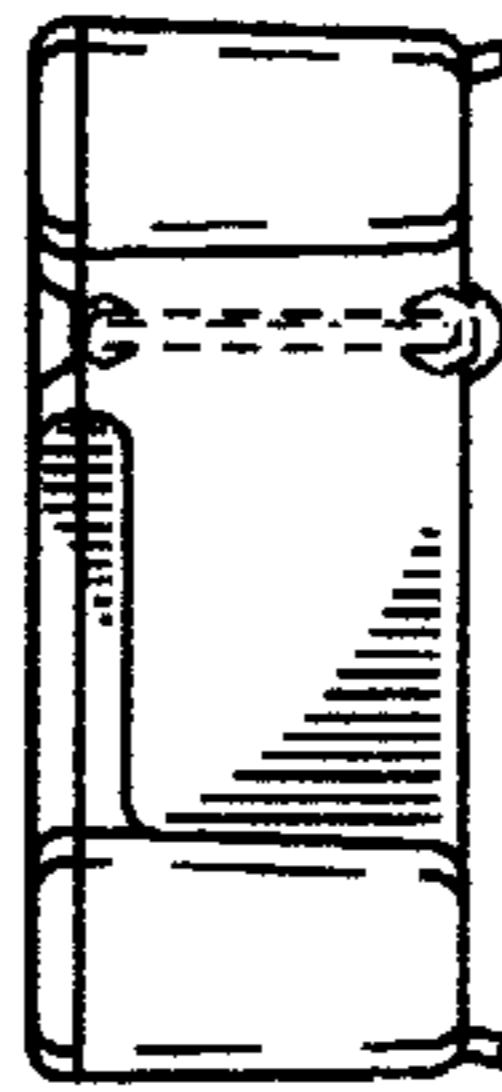


Fig. 11

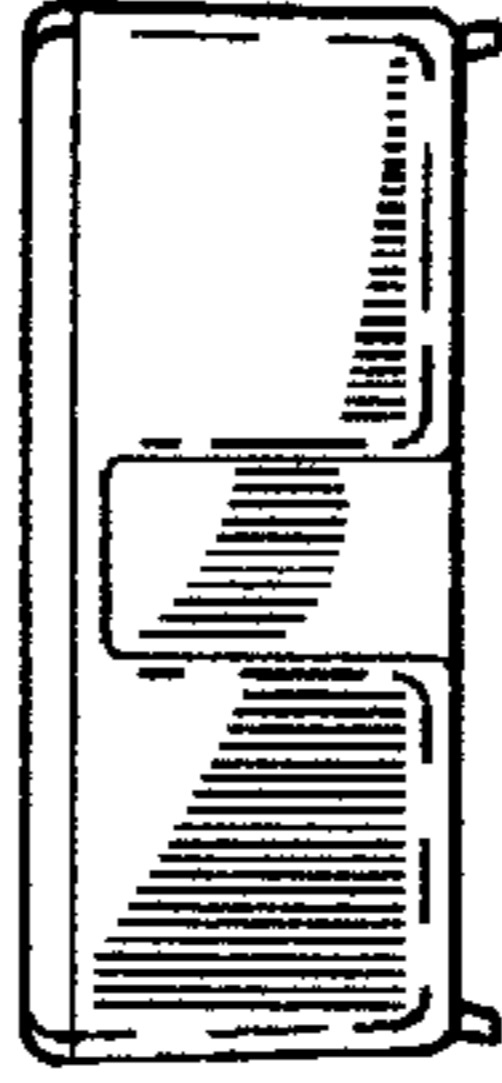


Fig. 13