



US00D407417S

# United States Patent [19]

Miller et al.

[11] Patent Number: **Des. 407,417**

[45] Date of Patent: **\*\*Mar. 30, 1999**

[54] **CANOPY**

5,542,814 8/1996 Ashcroft et al. .... 414/786  
5,609,464 3/1997 Moffitt et al. .... 414/685

[75] Inventors: **Gordon Edward Miller**, Lenoir City, Tenn.; **Larry A. Sliker**, Hewitt, N.J.; **Donald Rodney Flatau**, Oak Ridge, Tenn.

### OTHER PUBLICATIONS

JCB Manutention 3, Le Robot JCB: De Multiples Utilisations, pp. 1-6, Published in 1993 in England.  
Melroe Company, Bobcat 940 Series Loader, pp. 1-4, Published date—unknown, Published in USA.  
GEHL, Gehlmax Champion Kompakt-Programm, pp. 1-4, Publish date—unknown, Published in Germany.  
Podpolianske Strojarne Detva, UNC-040, pp. 1-2, Publish date—unknown, Believed to be published in Czechoslovakia.  
Podpolianske Strojarne Detva, UNC-061, pp. 1-2, Publish date—unknown, Believed to be published in Czechoslovakia.

[73] Assignee: **Deere & Company**, Moline, Ill.

[\*\*] Term: **14 Years**

*Primary Examiner*—Sandra L. Morris

[21] Appl. No.: **81,081**

[22] Filed: **Oct. 17, 1997**

[51] **LOC (6) Cl.** ..... **15-04**

[52] **U.S. Cl.** ..... **D15/28**

[58] **Field of Search** ..... D15/10, 22-26,  
D15/28; 180/89.1, 89.12, 900; 414/680,  
685, 686

### [57] CLAIM

### [56] References Cited

The ornamental design for a canopy, as shown and described.

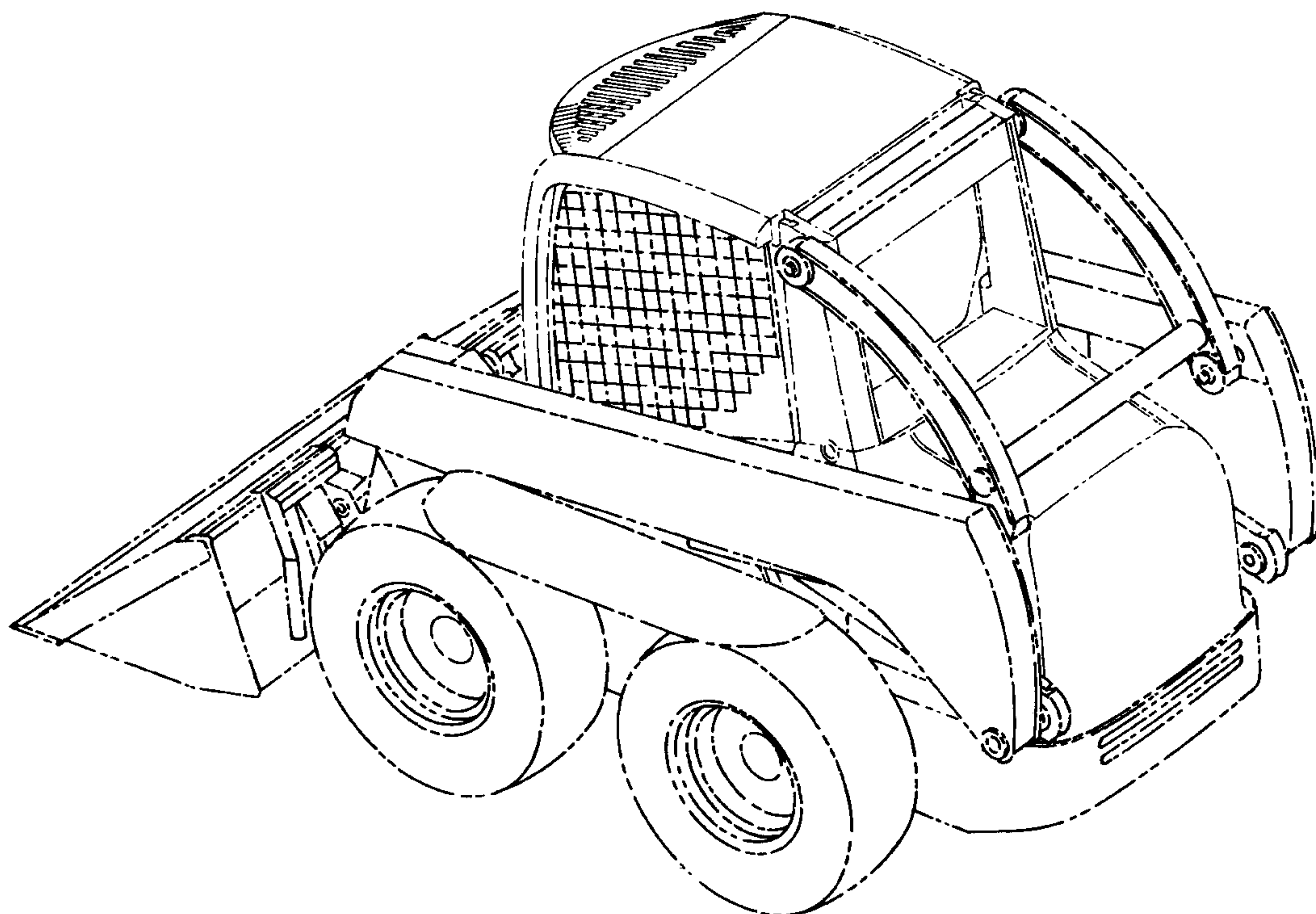
#### U.S. PATENT DOCUMENTS

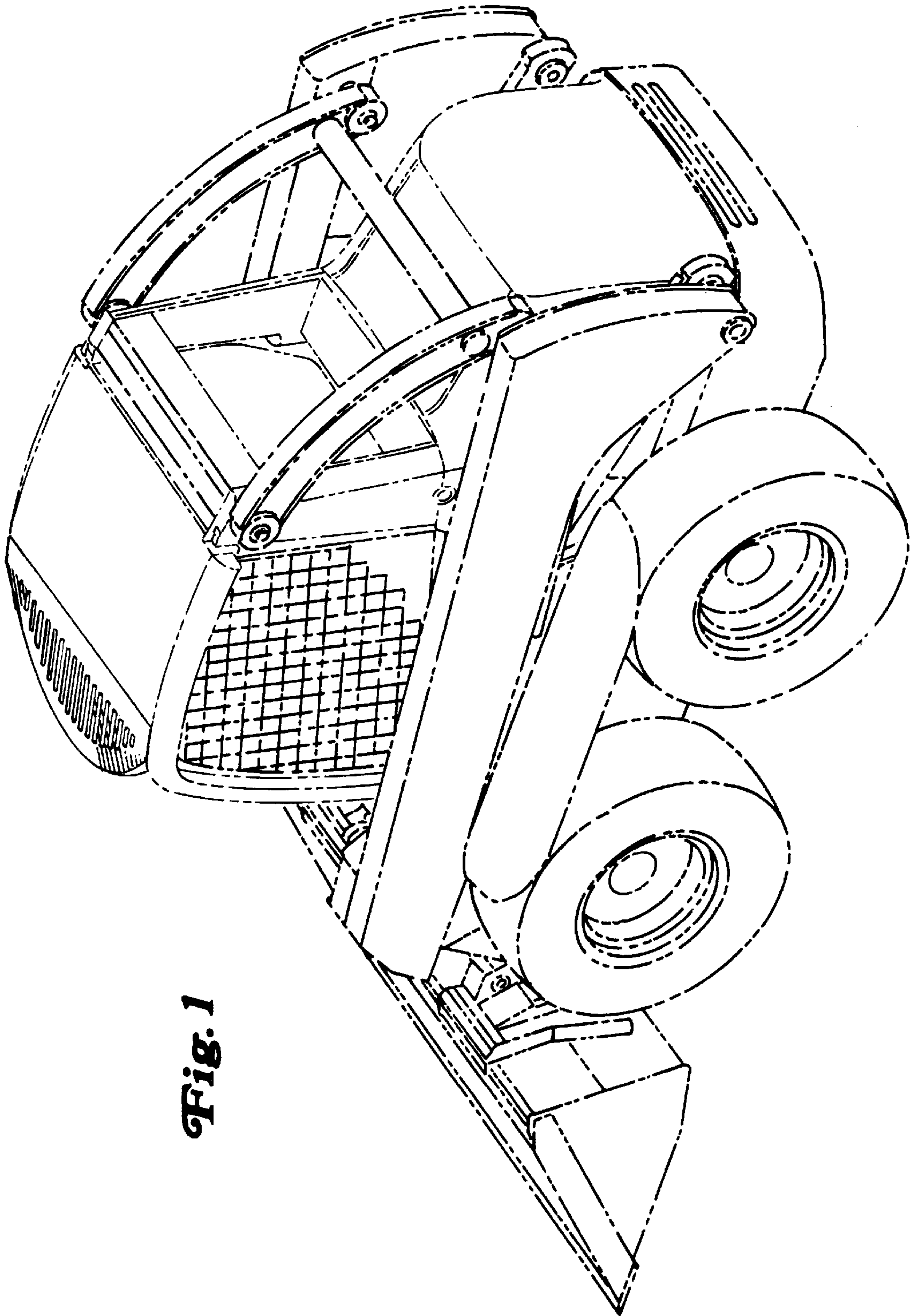
### DESCRIPTION

|            |         |                      |          |
|------------|---------|----------------------|----------|
| D. 251,088 | 2/1979  | Johnson et al. ....  | D15/23   |
| D. 272,826 | 2/1984  | Cochran et al. ....  | D15/25   |
| D. 314,389 | 2/1991  | Lynnes et al. ....   | D15/25   |
| D. 317,011 | 5/1991  | Boddin et al. ....   | D15/30   |
| D. 322,792 | 12/1991 | Park .....           | D15/25   |
| D. 376,372 | 12/1996 | Little et al. ....   | D15/23   |
| 4,055,262  | 10/1977 | Bauer et al. ....    | 214/140  |
| 4,355,946  | 10/1982 | Wykhuis et al. ....  | 414/707  |
| 4,568,095  | 2/1986  | Bogner et al. ....   | 280/6 H  |
| 4,812,103  | 3/1989  | Cochran et al. ....  | 414/723  |
| 4,815,550  | 3/1989  | Mather et al. ....   | 180/68.1 |
| 5,029,918  | 7/1991  | Albright et al. .... | 293/126  |
| 5,042,602  | 8/1991  | Nakatani et al. .... | 180/68.1 |
| 5,273,340  | 12/1993 | Nelson et al. ....   | D15/30 X |

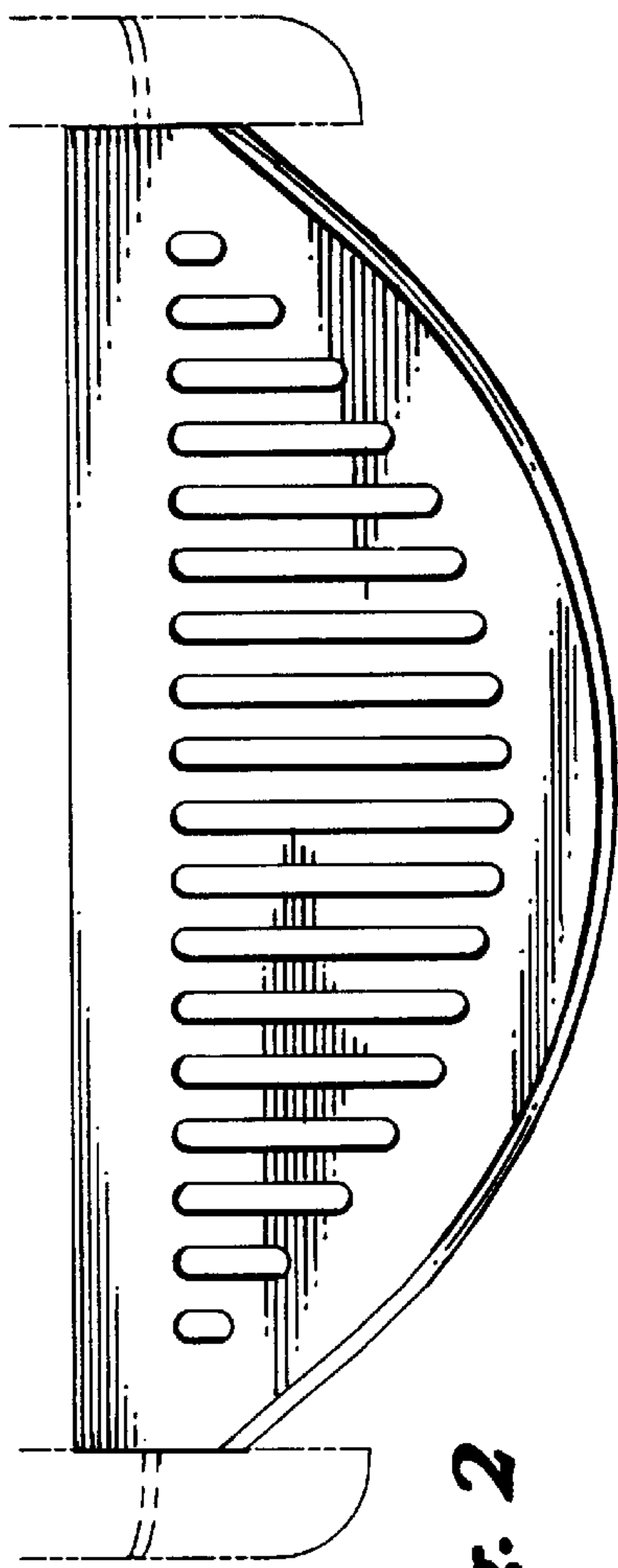
FIG. 1 is an elevated rear perspective view of a canopy showing our new design, the broken line showing of the vehicle and tool purposes only, and forms no part of the claimed design; being for illustrative;  
FIG. 2 is an enlarged top plan view thereof;  
FIG. 3 is an enlarged front view thereof;  
FIG. 4 is an enlarged bottom view thereof;  
FIG. 5 is an enlarged left side view thereof; and,  
FIG. 6 is an enlarged right side view thereof.

**1 Claim, 2 Drawing Sheets**

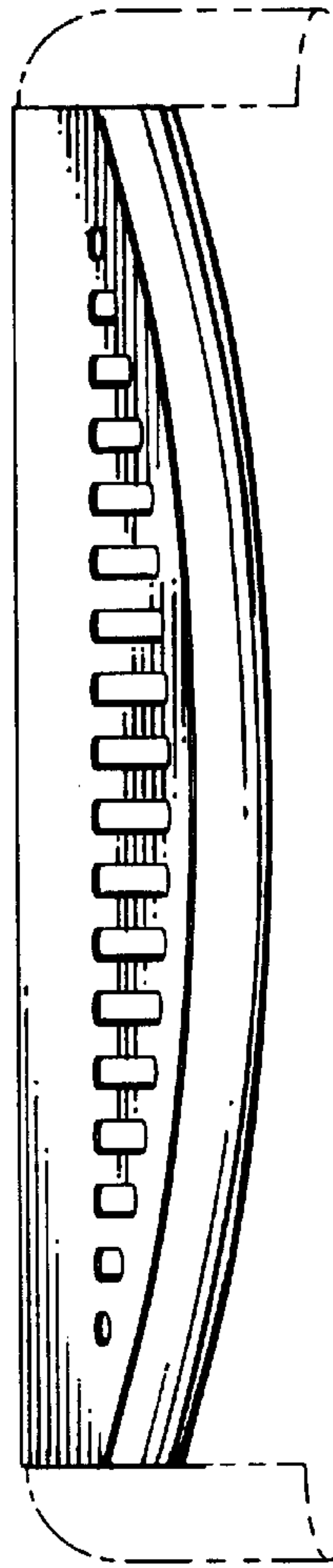




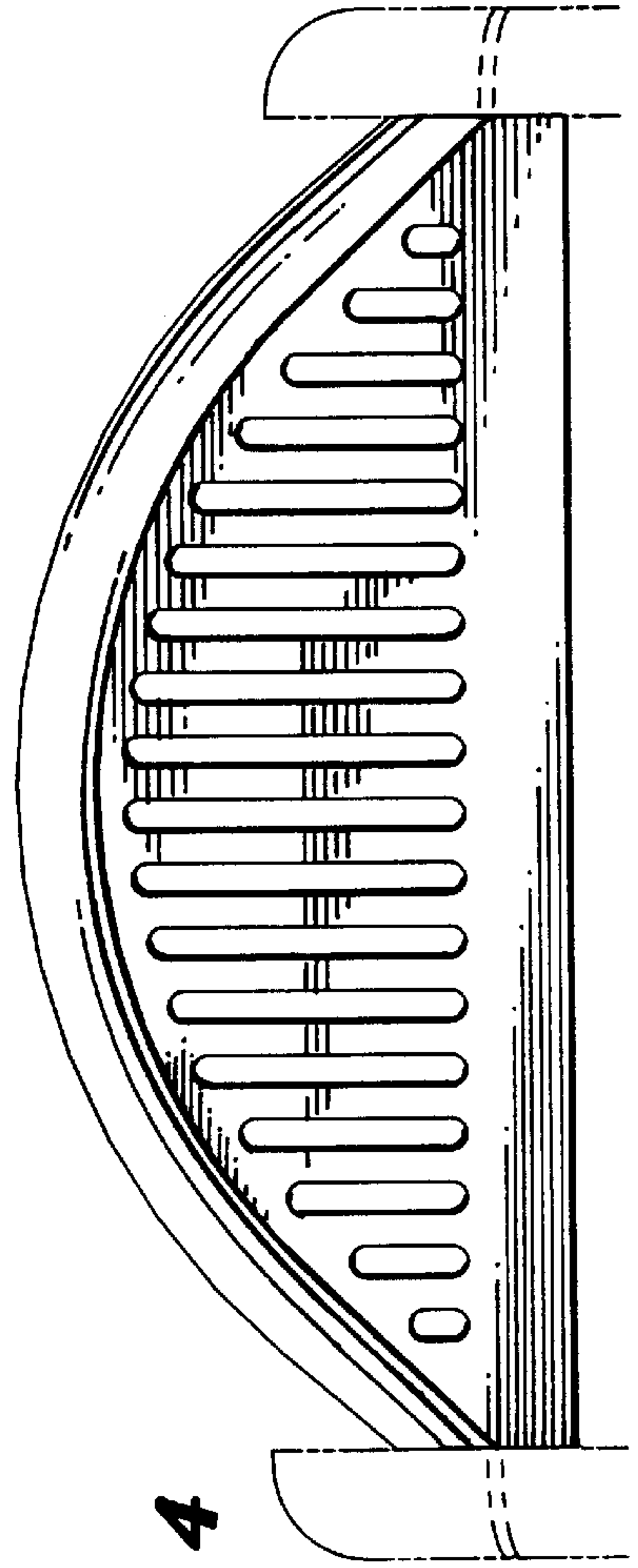
**Fig. 1**



**Fig. 2**

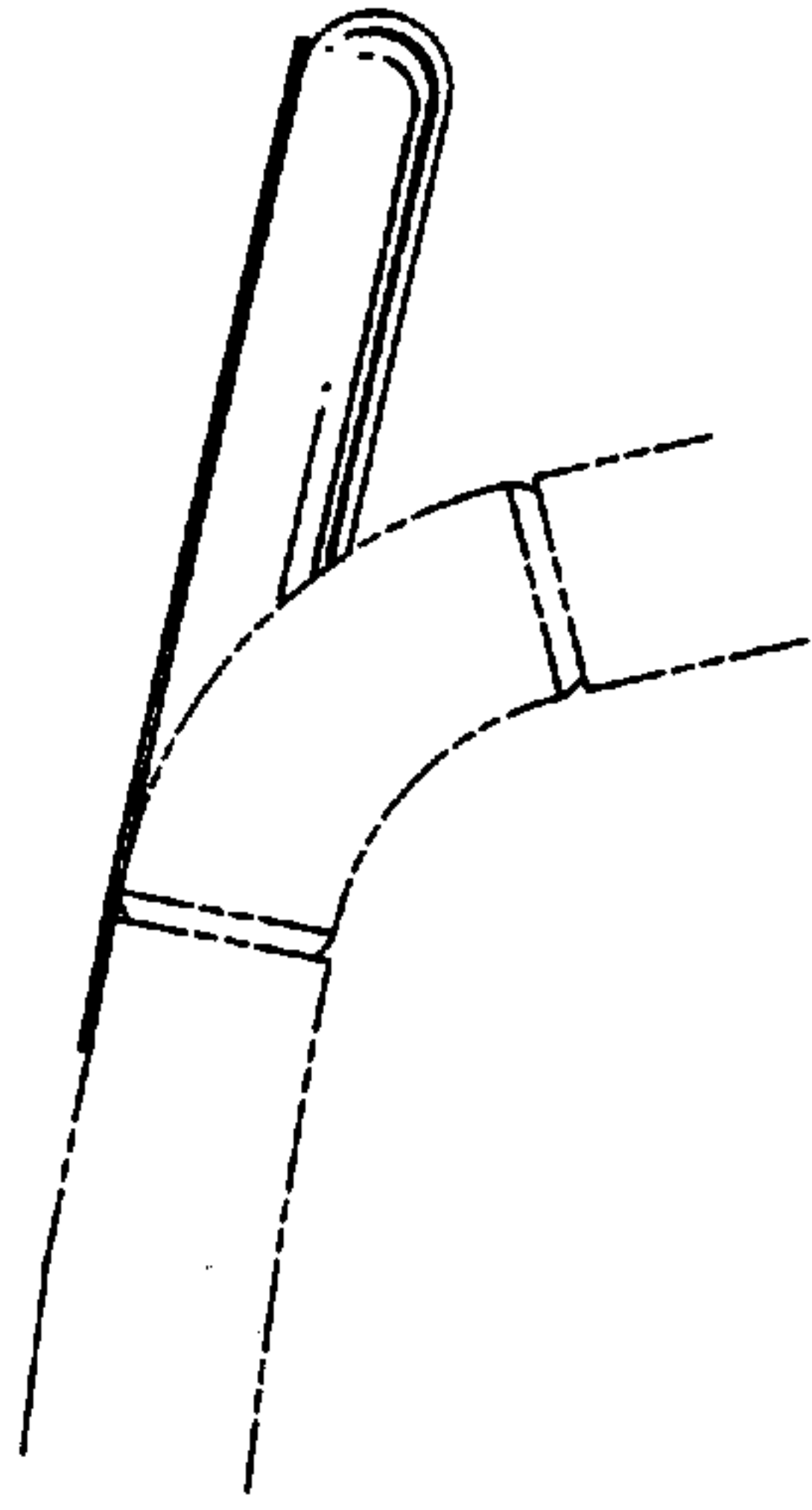


**Fig. 3**



**Fig. 4**

**Fig. 5**



**Fig. 6**

