



US00D407415S

United States Patent [19]

Flatau et al.

[11] Patent Number: **Des. 407,415**

[45] Date of Patent: ****Mar. 30, 1999**

[54] **OUTER SURFACE OF A LIFT ARM**

[75] Inventors: **Donald Rodney Flatau**, Oak Ridge;
Gordon Edward Miller, Lenoir City,
both of Tenn.; **Larry A. Sliker**, Hewitt,
N.J.; **Charles David Andrews**, Loudon,
Tenn.

[73] Assignee: **Deere & Company**, Moline, Ill.

[**] Term: **14 Years**

[21] Appl. No.: **80,967**

[22] Filed: **Oct. 17, 1997**

[51] **LOC (6) Cl.** **15-04**

[52] **U.S. Cl.** **D15/28**

[58] **Field of Search** D15/10, 22-26,
D15/28; 180/89.1, 89.12, 900; 414/680,
685, 686

[56] **References Cited**

U.S. PATENT DOCUMENTS

D. 231,482	4/1974	Bauer	D15/25
D. 272,825	2/1984	Cochran et al.	D15/25
D. 284,668	7/1986	L. et al.	D15/33
D. 376,372	12/1996	Little et al.	D15/23
4,355,946	10/1982	Wykhuis et al.	414/707

5,042,602	8/1991	Nakatani et al.	180/68.1
5,160,034	11/1992	Potter	D15/25 X
5,169,278	12/1992	Hoechst et al.	414/685
5,511,932	4/1996	Todd et al.	414/685
5,609,464	3/1997	Moffitt et al.	414/685

Primary Examiner—Sandra L. Morris

[57] **CLAIM**

The ornamental design for an outer surface of a lift arm, as shown and described.

DESCRIPTION

FIG. 1 is an elevated rear perspective view of an outer surface of a lift arm showing a first embodiment of our new design, the broken line showing of the vehicle and tool is for illustrative purposes only, and forms no part of the claimed design;

FIG. 2 is an enlarged side view of the lift arm design of FIG. 1;

FIG. 3 is an elevated rear perspective view of an outer surface of a lift arm showing a second embodiment of our new design, the broken line showing of the vehicle and tool is for illustrative purposes only, and forms no part of the claimed design; and,

FIG. 4 is an enlarged side view of the lift arm design of FIG. 3.

1 Claim, 2 Drawing Sheets

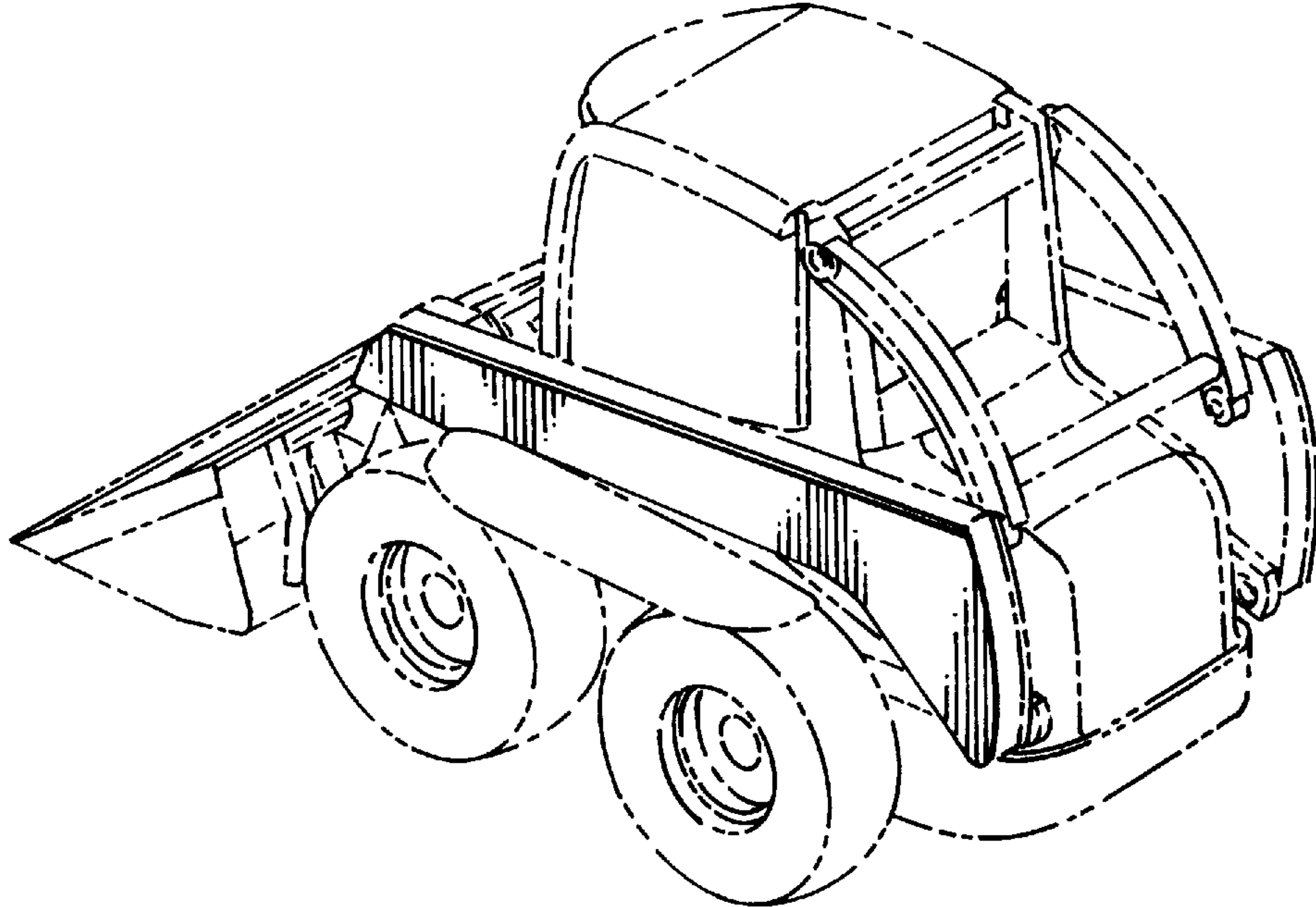


Fig. 2

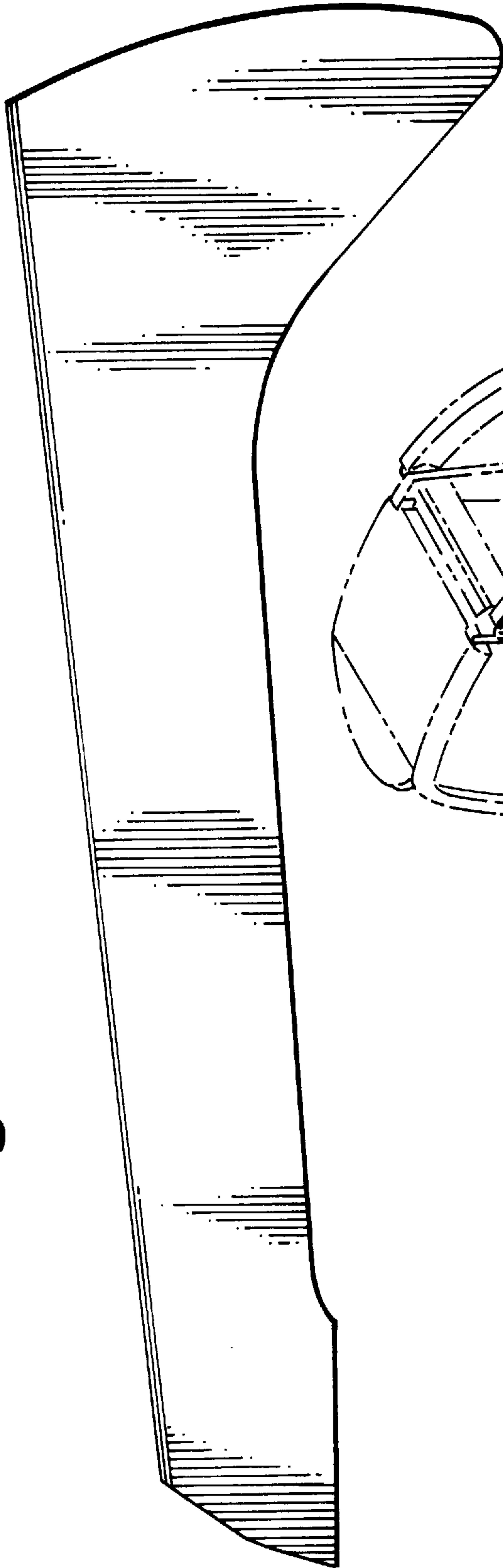


Fig. 1

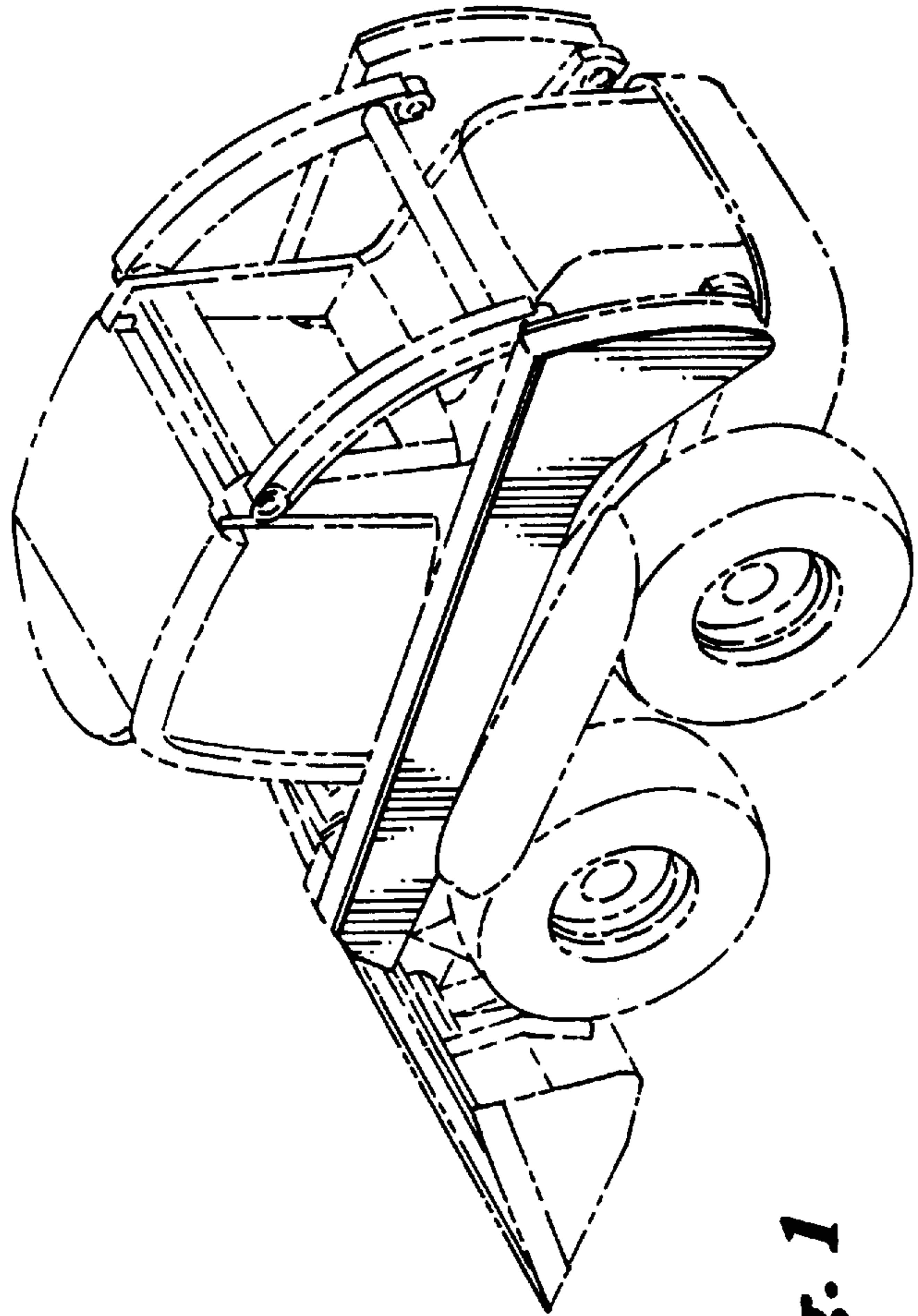


Fig. 4

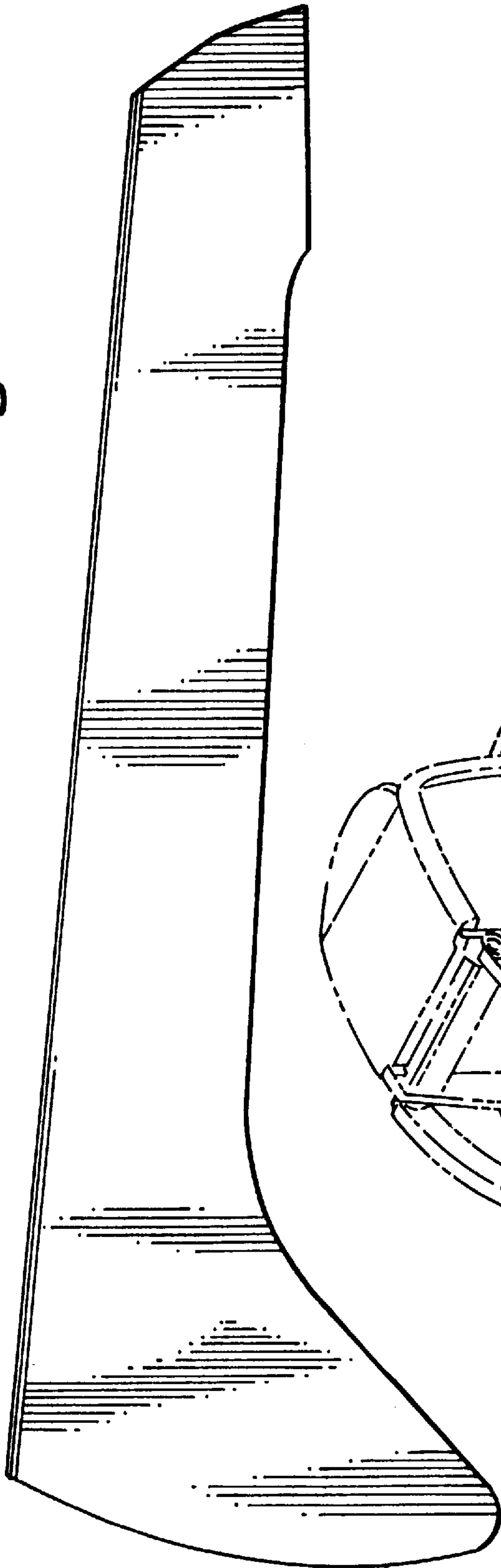


Fig. 3

