



US00D407414S

United States Patent [19] Kinder

[11] **Patent Number: Des. 407,414**

[45] **Date of Patent: **Mar. 30, 1999**

[54] **SPRAYER ASSEMBLY**

4,609,203 9/1986 Steilen et al. 172/439
4,768,715 9/1988 Sali et al. 239/172

[76] Inventor: **Leon Kinder**, Rte. 6, Box 2310, Paris, Tex. 75462

Primary Examiner—Sandra L. Morris
Attorney, Agent, or Firm—Jenkins & Gilchrist, a Professional Corporation

[**] Term: **14 Years**

[21] Appl. No.: **71,100**

[57] **CLAIM**

[22] Filed: **May 21, 1997**

The ornamental design for the sprayer assembly, as shown and described.

[51] **LOC (6) Cl.** **15-03**

DESCRIPTION

[52] **U.S. Cl.** **D15/13**

[58] **Field of Search** D15/10-13, 27, D15/28; 239/167, 172, 439

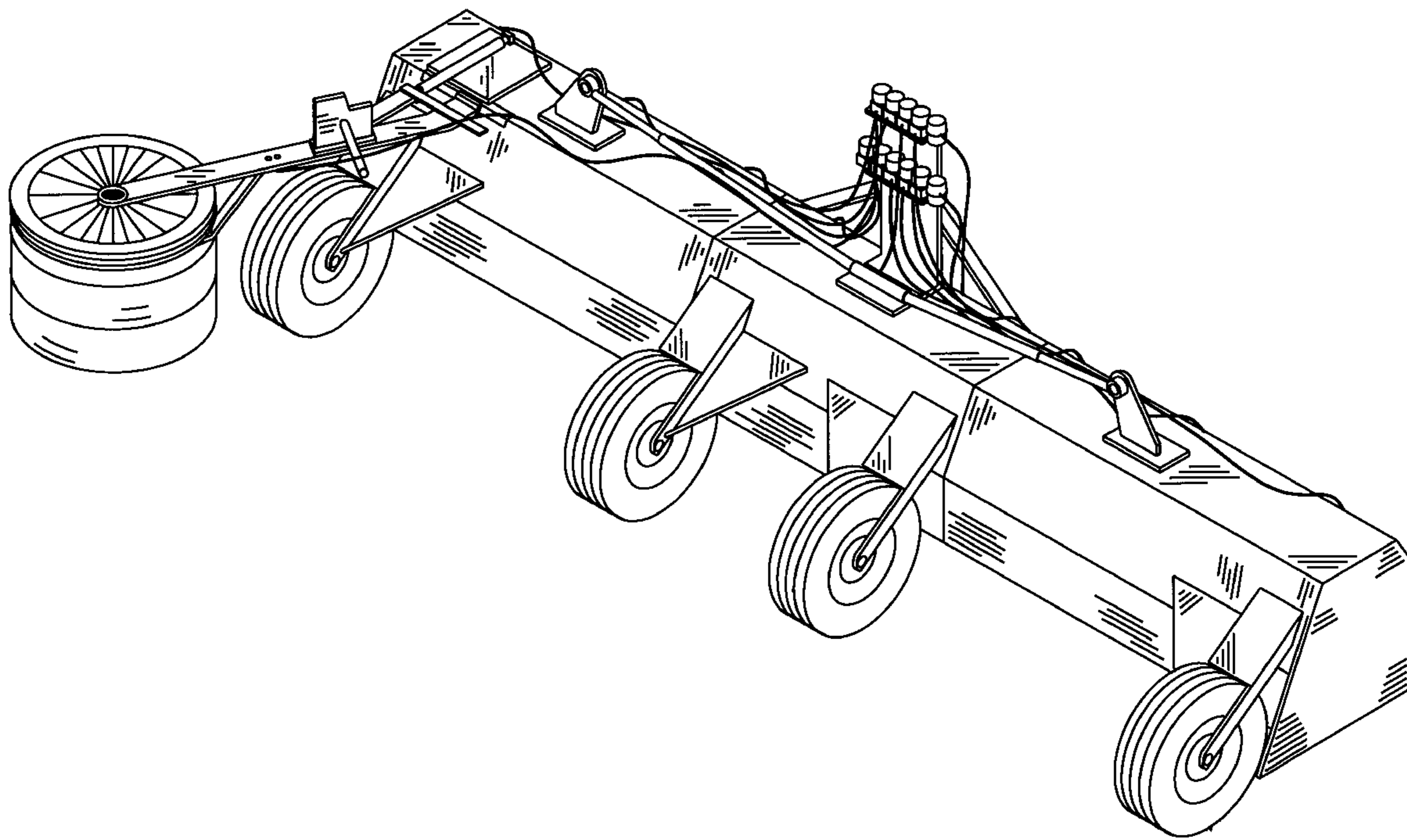
FIG. 1 is a perspective view of the sprayer assembly; FIG. 2 is a right side elevational view of the sprayer assembly; FIG. 3 is a left side elevational view of the sprayer assembly; FIG. 4 is a bottom plan view of the sprayer assembly; FIG. 5 is a rear view of the sprayer assembly; FIG. 6 is a top view of the sprayer assembly; and, FIG. 7 is a front view of the sprayer assembly.

[56] **References Cited**

U.S. PATENT DOCUMENTS

D. 271,533	11/1983	Kinder	D34/18
D. 273,608	4/1984	Kinder	D23/34
4,186,879	2/1980	Kinder	239/172
4,353,505	10/1982	Kinder	239/167

1 Claim, 4 Drawing Sheets



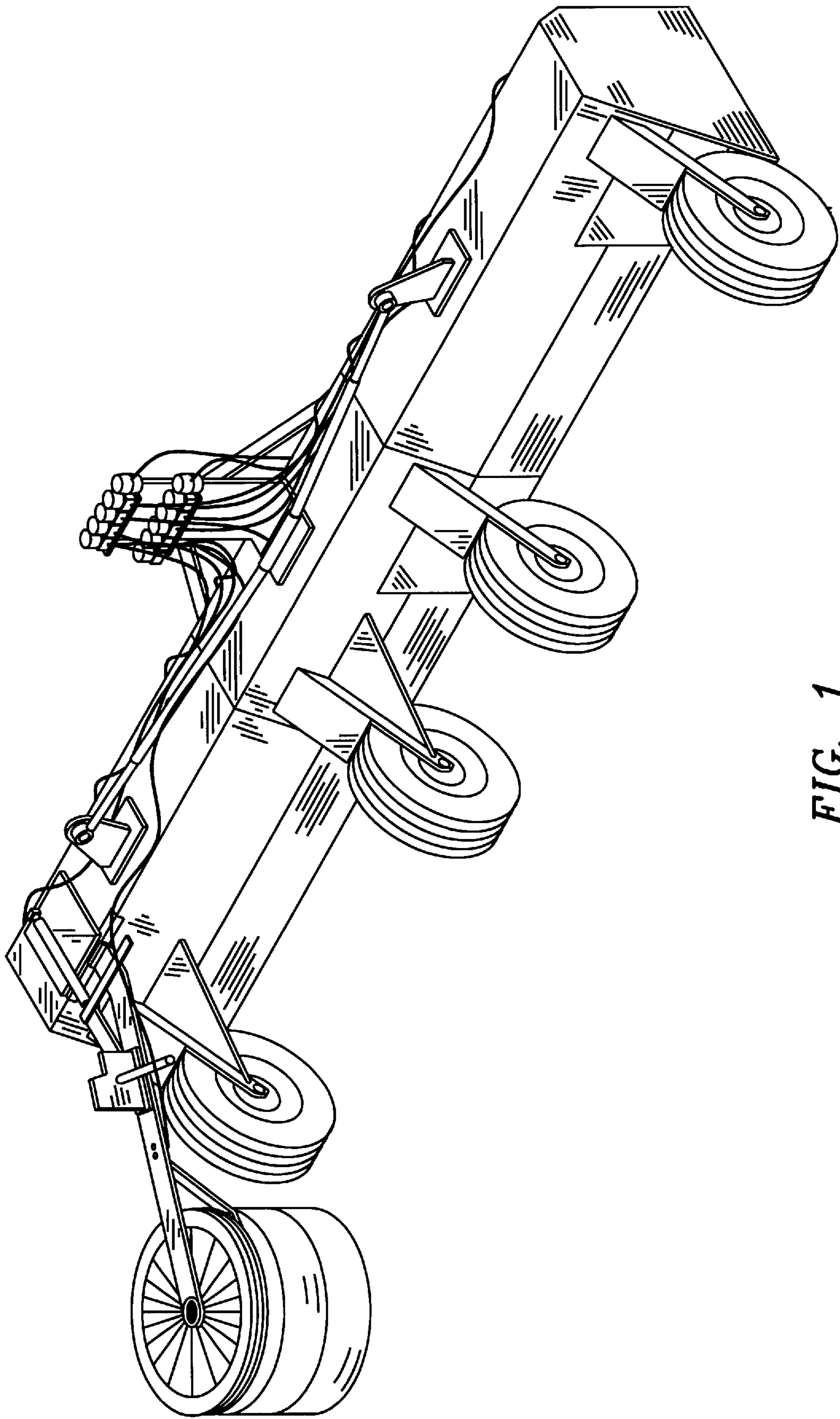


FIG. 1

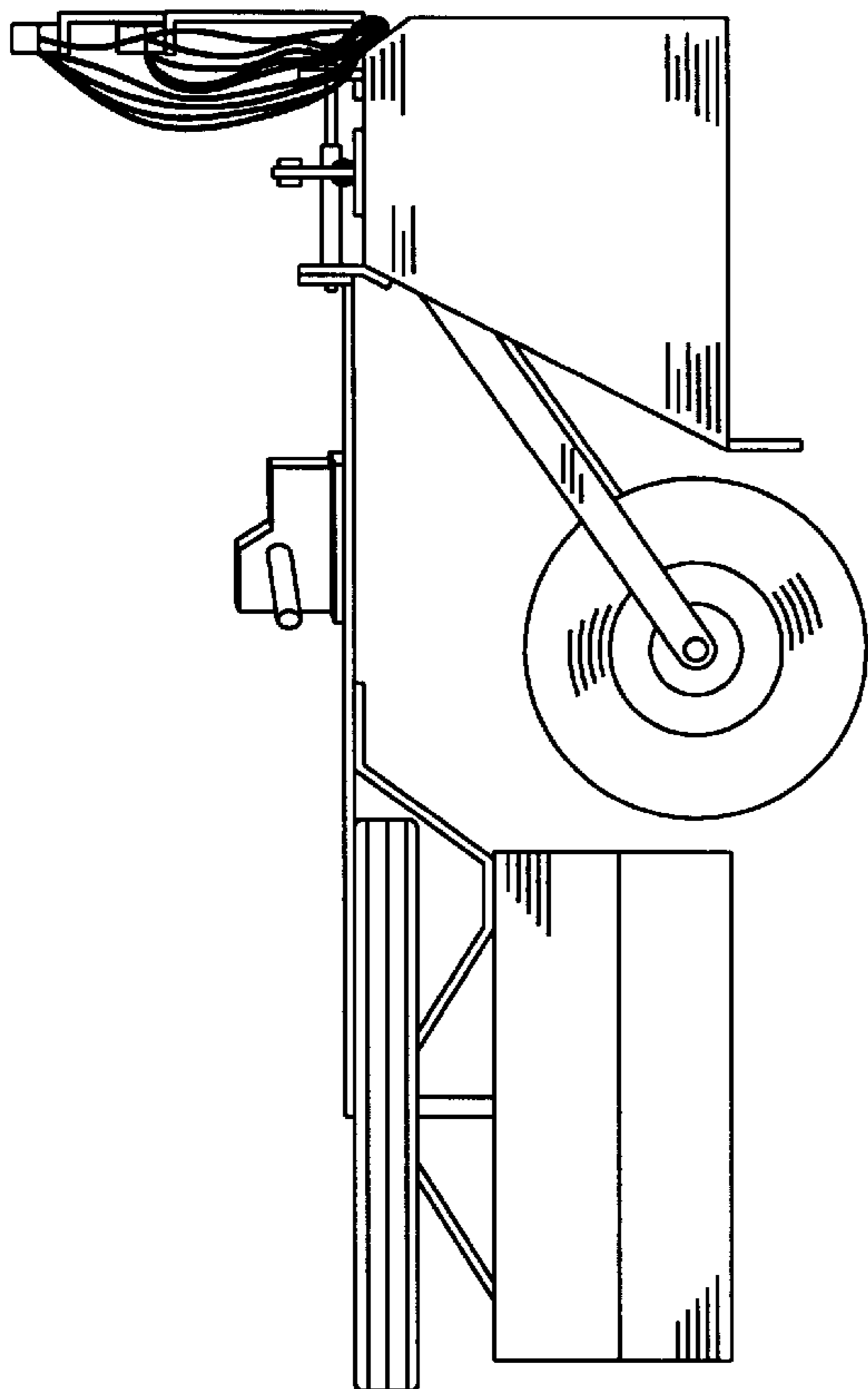


FIG. 2

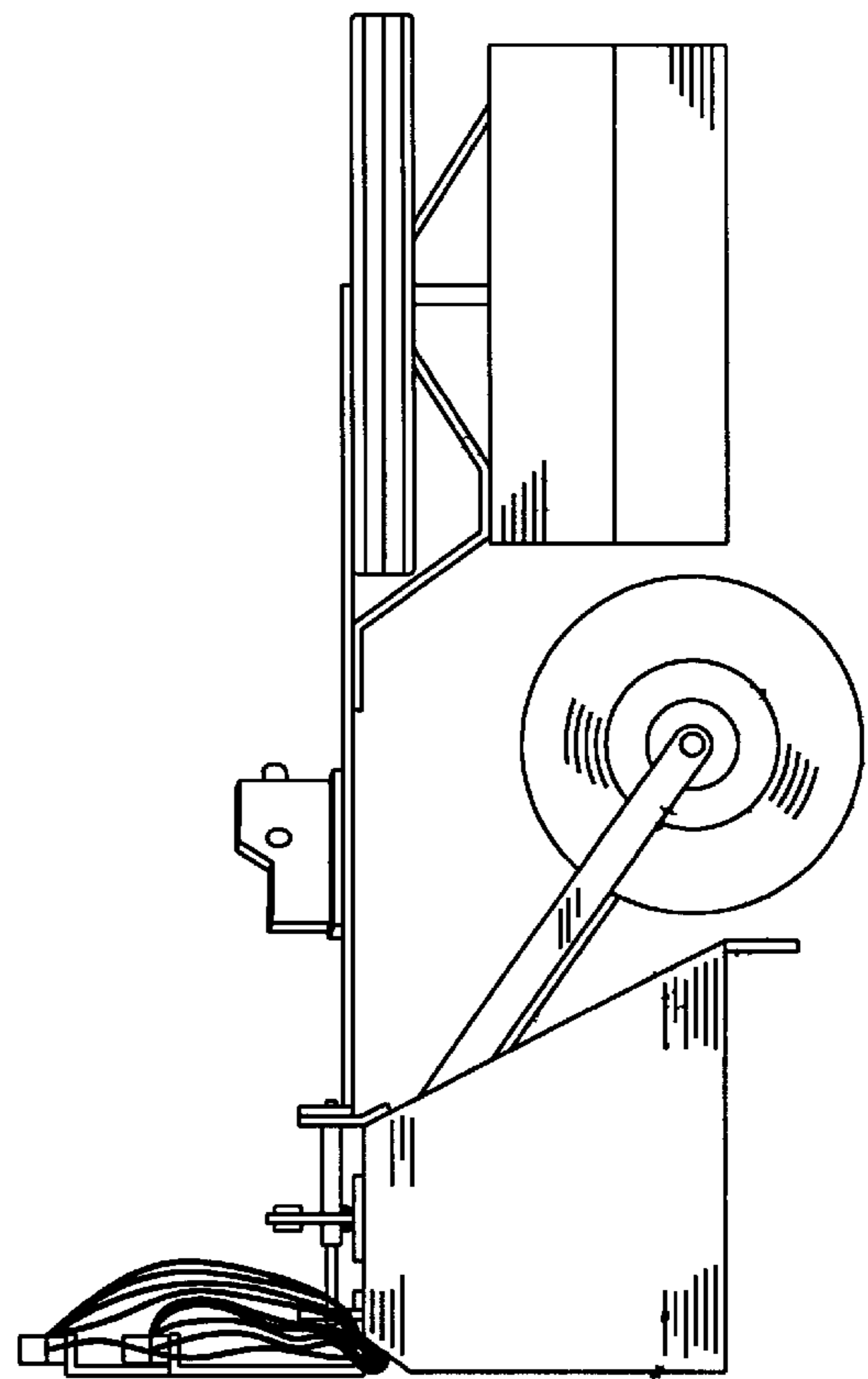
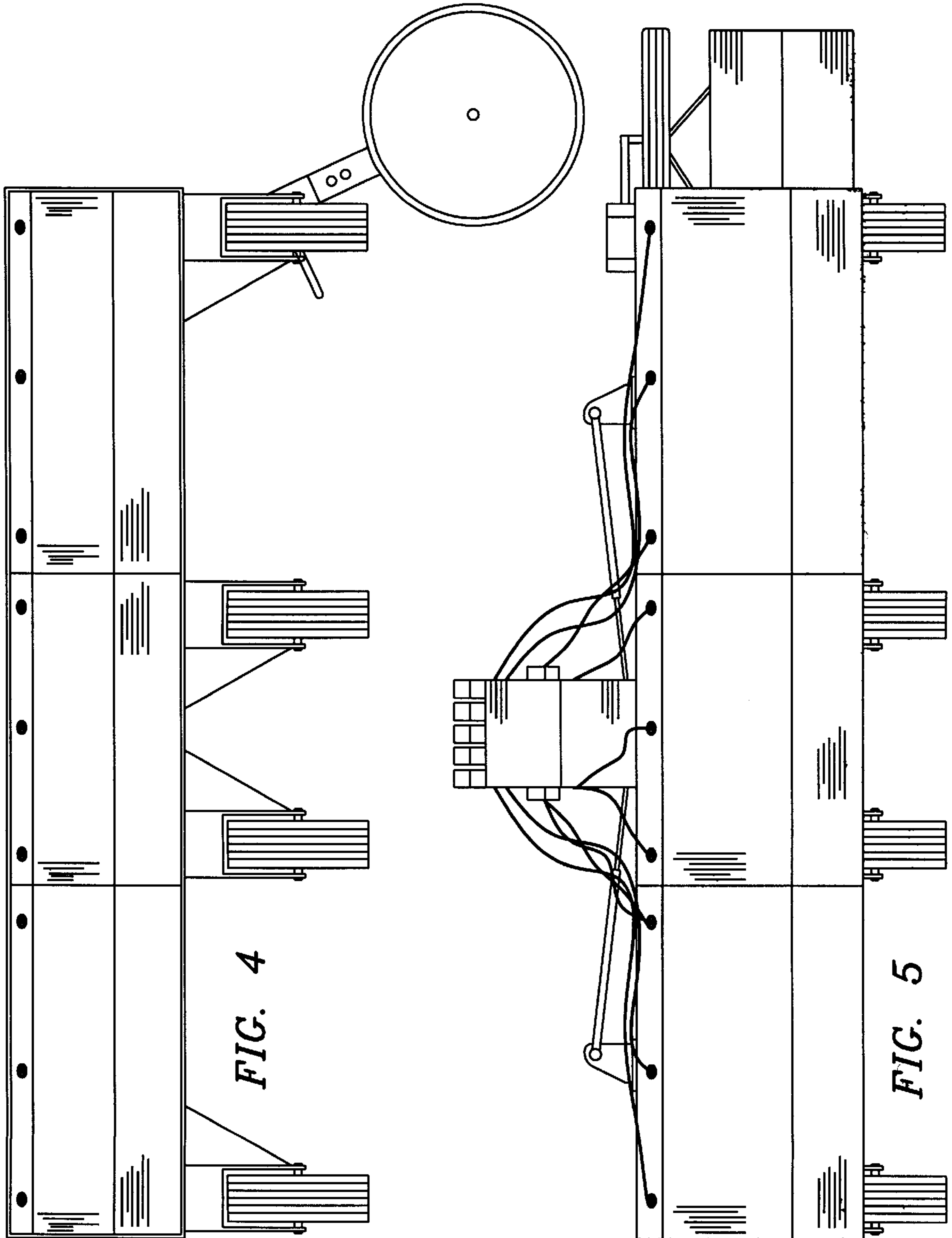


FIG. 3



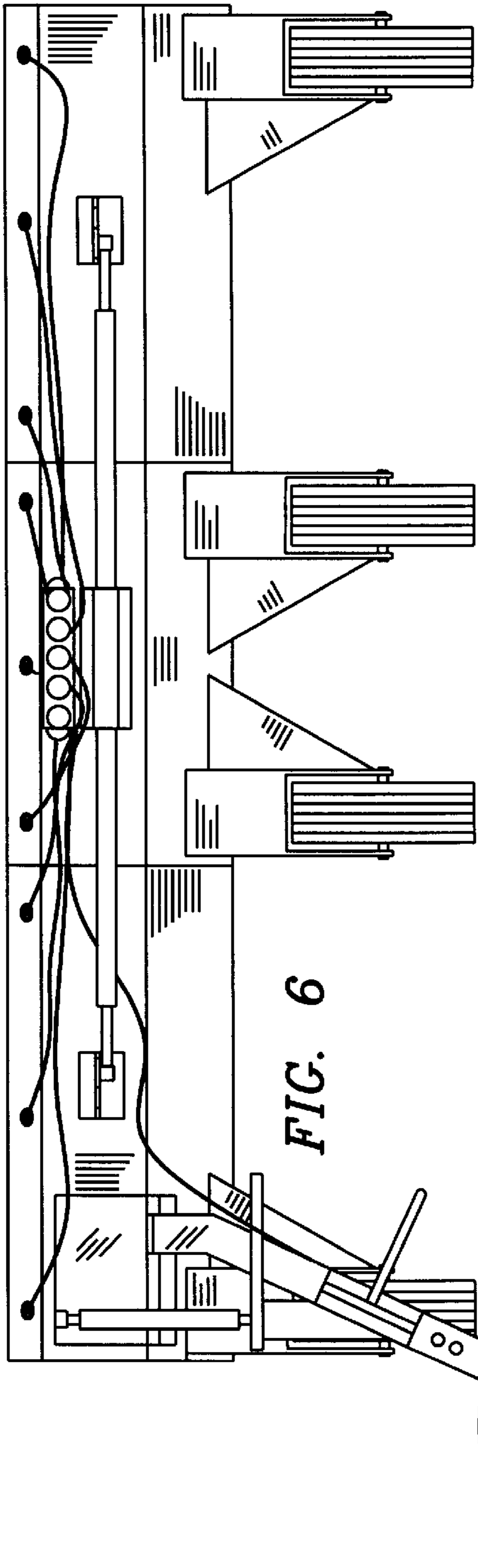


FIG. 6

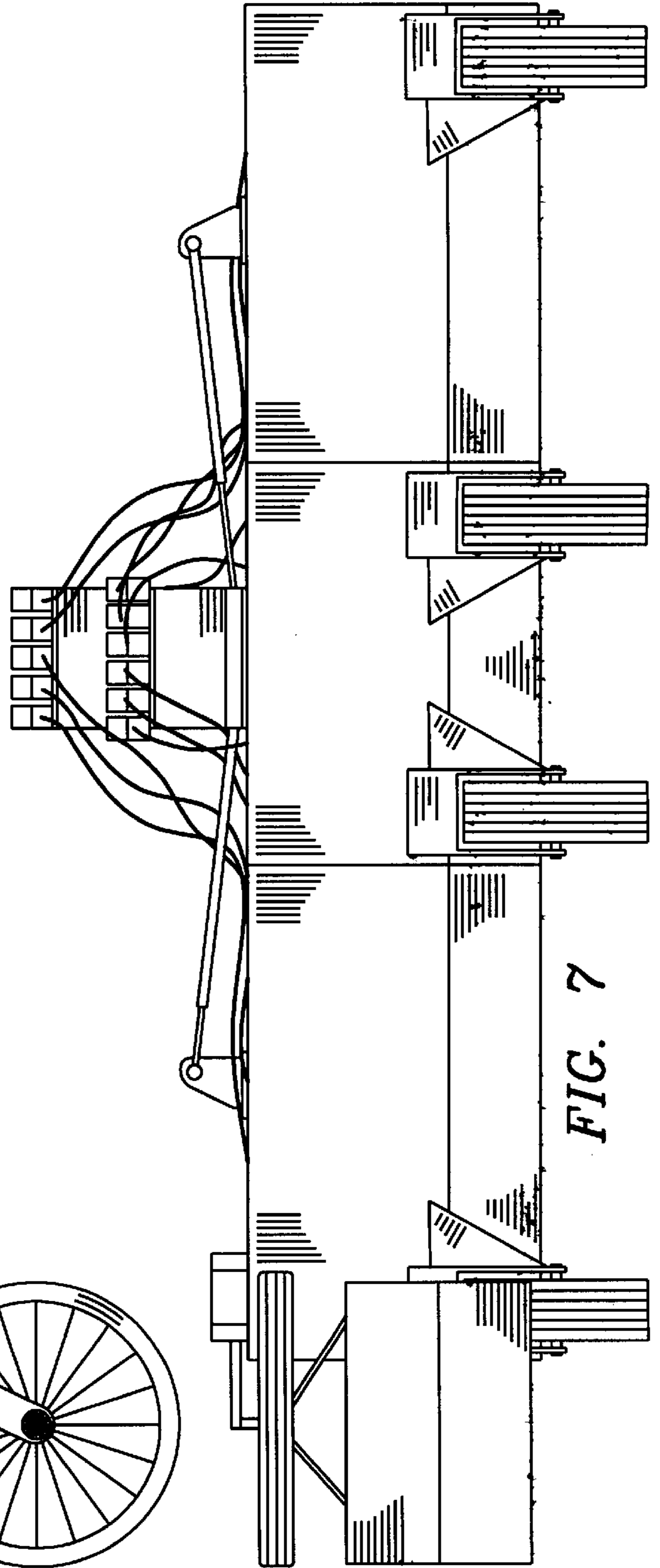


FIG. 7