



US00D407413S

United States Patent [19] Wang

[11] **Patent Number: Des. 407,413**

[45] **Date of Patent: **Mar. 30, 1999**

[54] **AIR COMPRESSOR**

[75] Inventor: **Min-Hsien Wang**, Tainan Hsien,
Taiwan

[73] Assignee: **Coido Corporation**, Tainan Hsien,
Taiwan

[**] Term: **14 Years**

[21] Appl. No.: **89,905**

[22] Filed: **Jun. 25, 1998**

[51] **LOC (6) Cl.** **15-02**

[52] **U.S. Cl.** **D15/9**

[58] **Field of Search** D15/1, 7-9; 417/234,
417/360; 248/645; D26/38

[56] **References Cited**

U.S. PATENT DOCUMENTS

- D. 275,946 10/1984 Ekuan D15/1
- D. 294,396 2/1988 Steere et al. D15/9

- D. 340,458 10/1993 Wang D15/7
- D. 340,726 10/1993 Wang D15/9
- D. 352,295 11/1994 Morgan D15/9

Primary Examiner—Ralf Seifert
Attorney, Agent, or Firm—Varndell Legal Group

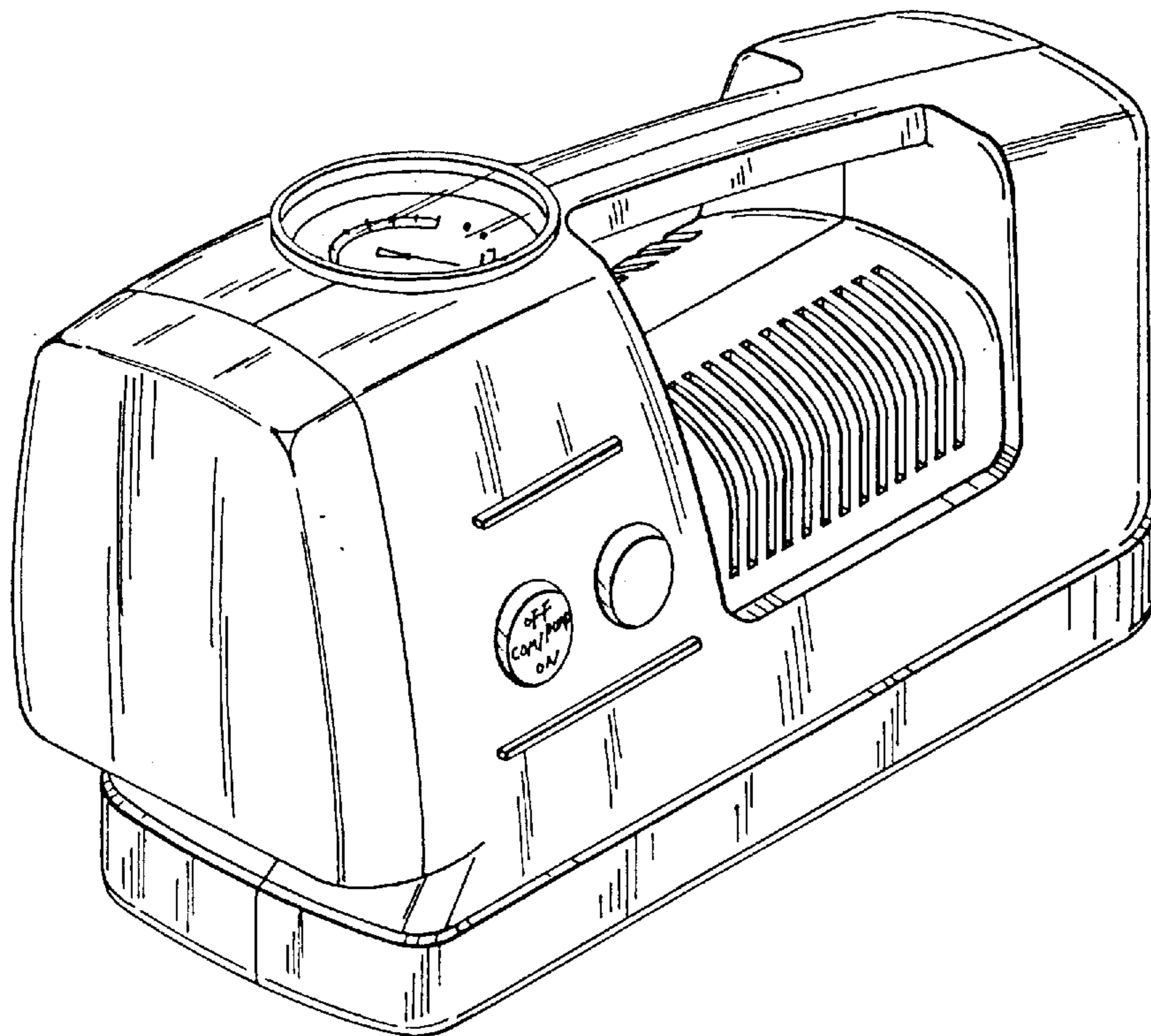
[57] **CLAIM**

The ornamental design for air compressor, as shown and described.

DESCRIPTION

FIG. 1 is perspective view of a air compressor showing my new design thereof;
FIG. 2 is a front elevational view of FIG. 1;
FIG. 3 is a rear elevational view of FIG. 1;
FIG. 4 is a left side elevational view of FIG. 1;
FIG. 5 is a right side elevational view of FIG. 1;
FIG. 6 is a top plan view of FIG. 1; and,
FIG. 7 is a bottom plan view of FIG. 1.

1 Claim, 3 Drawing Sheets



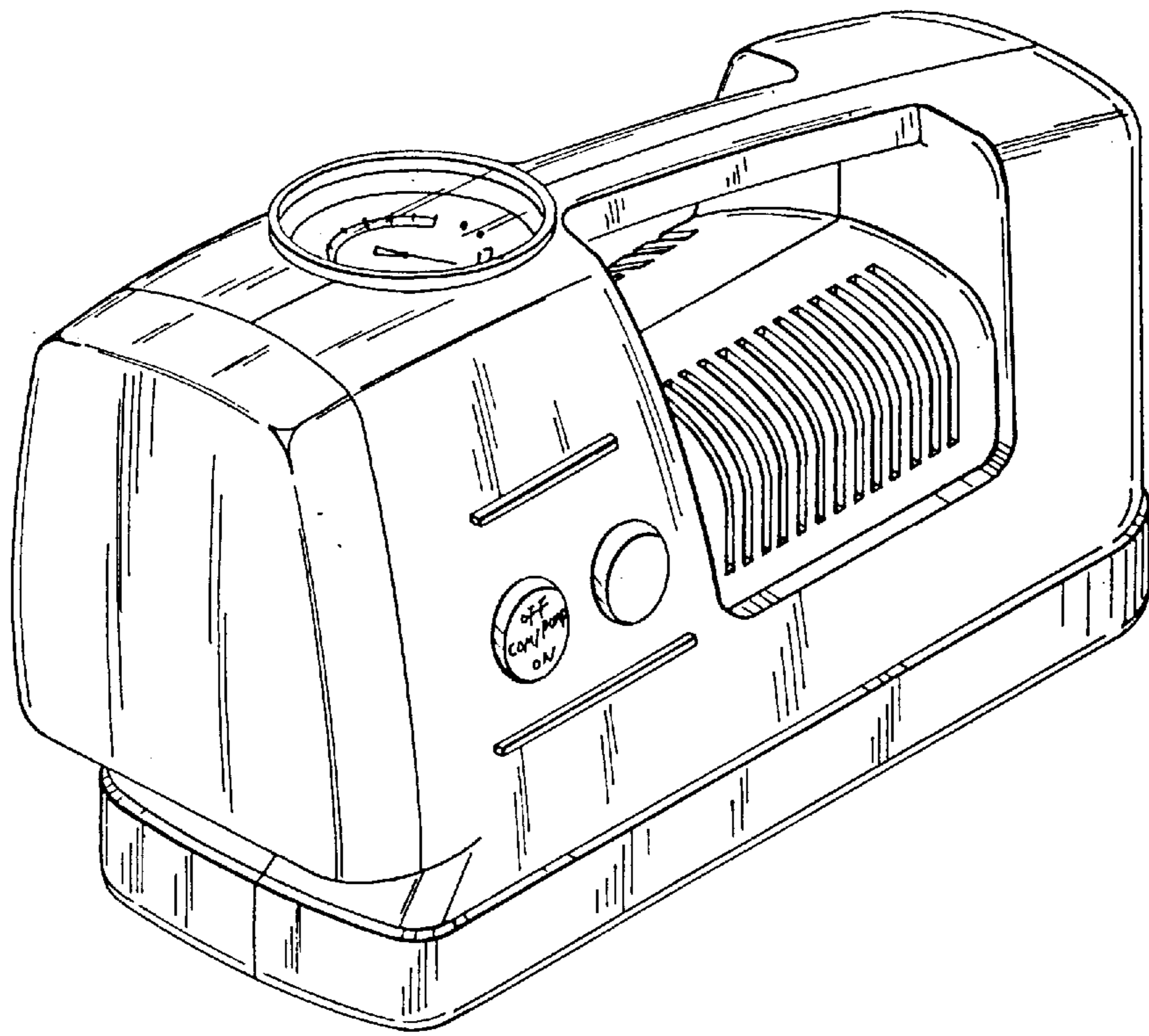


FIG. 1

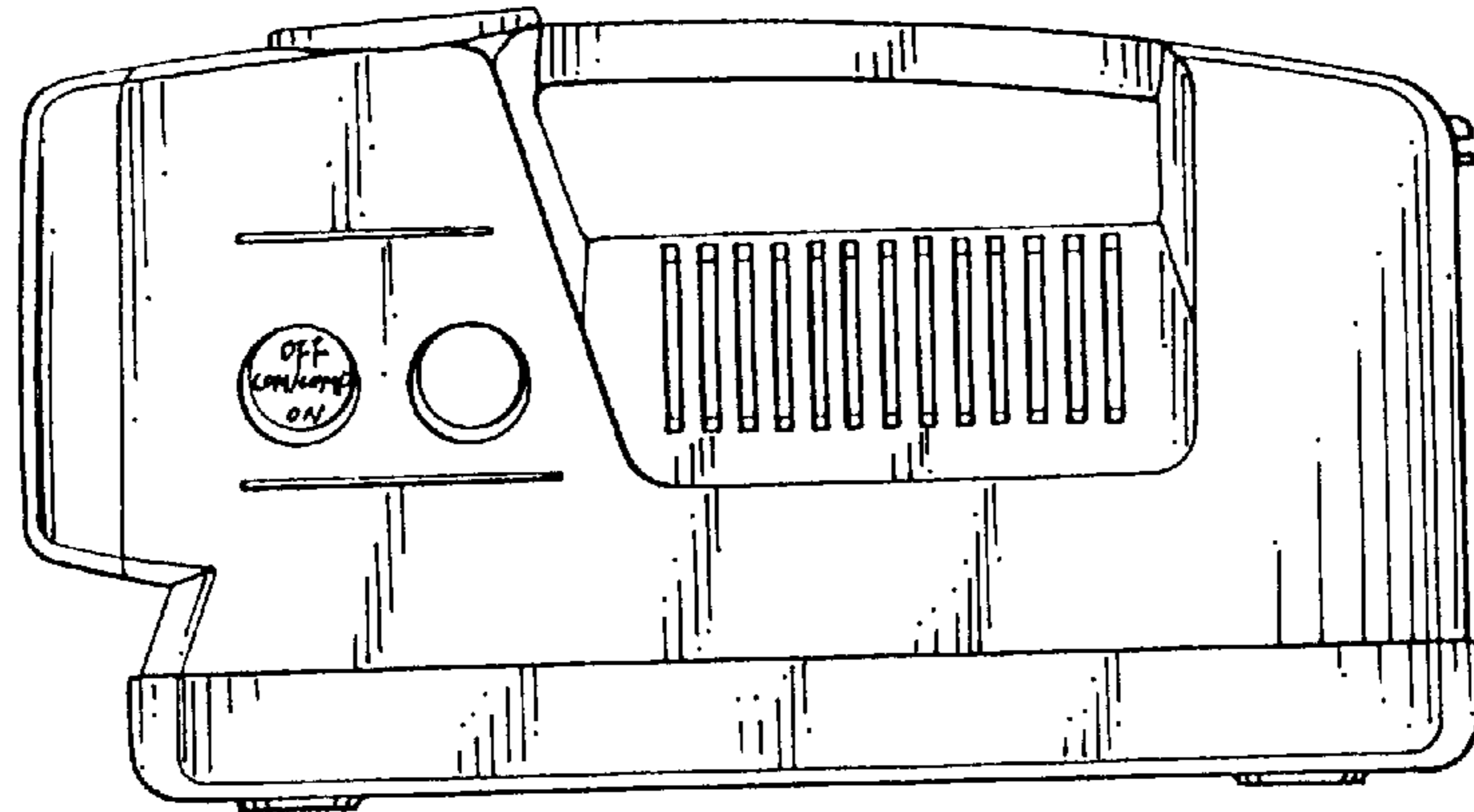


FIG. 2

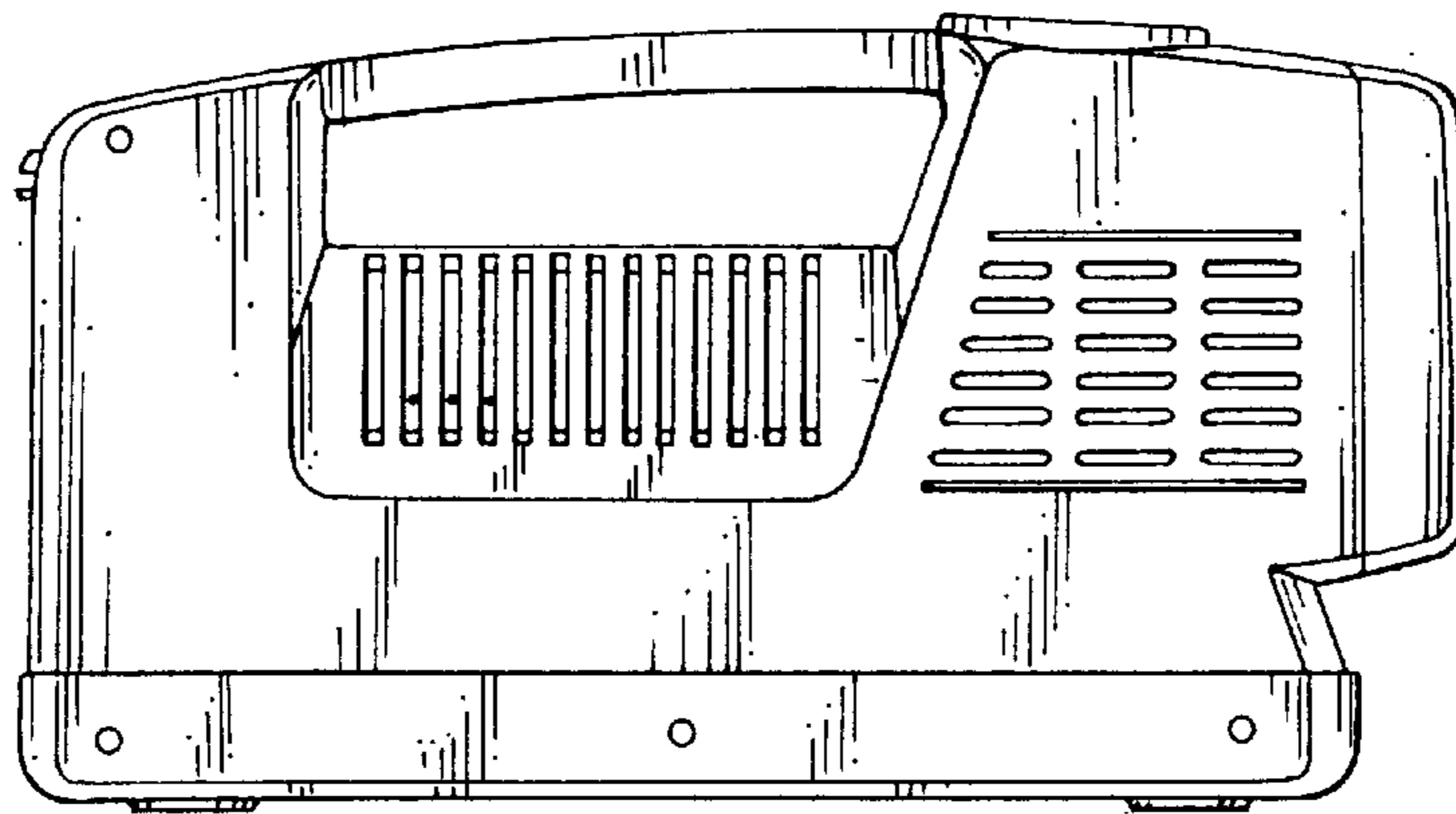


FIG. 3

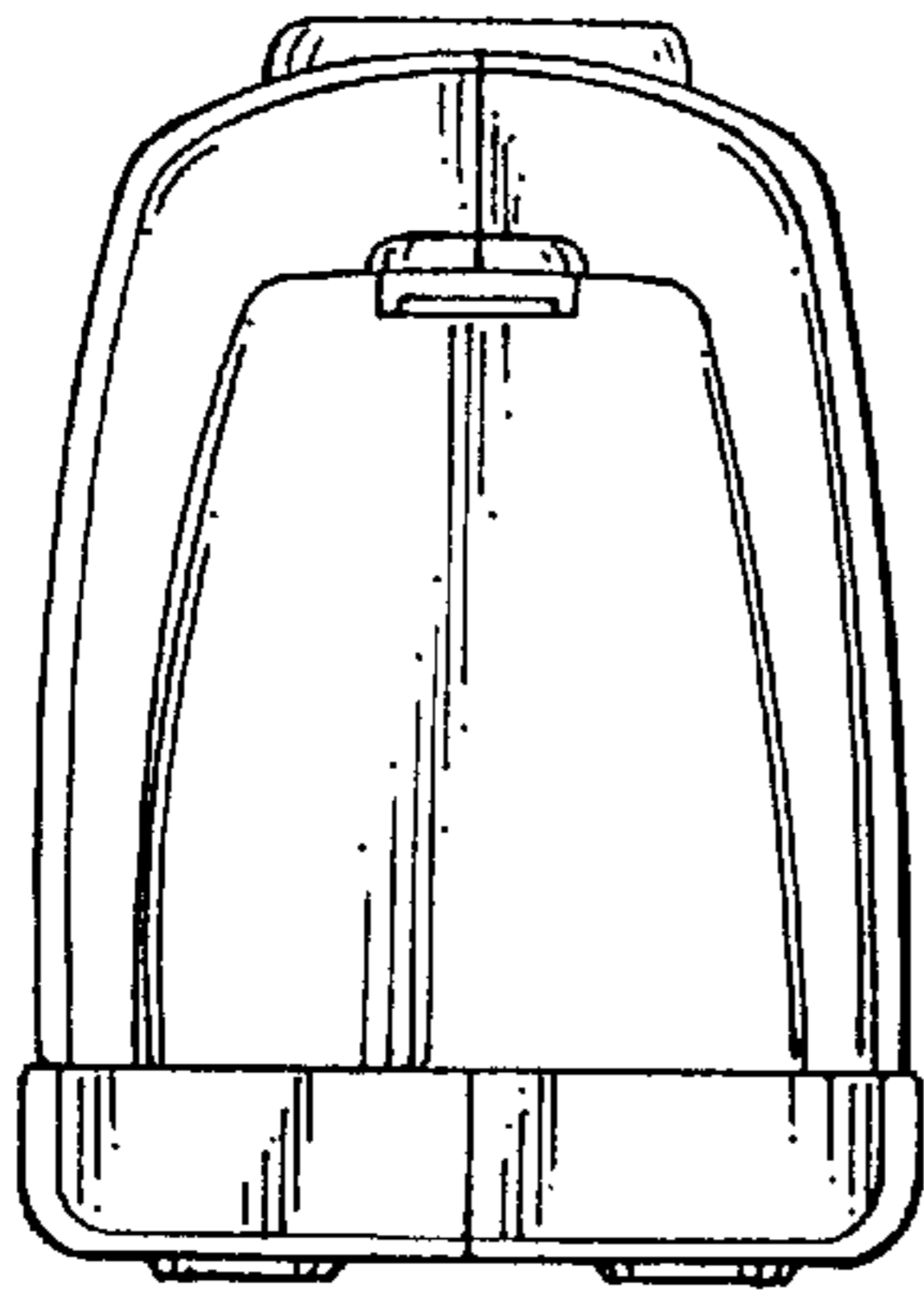


FIG. 5

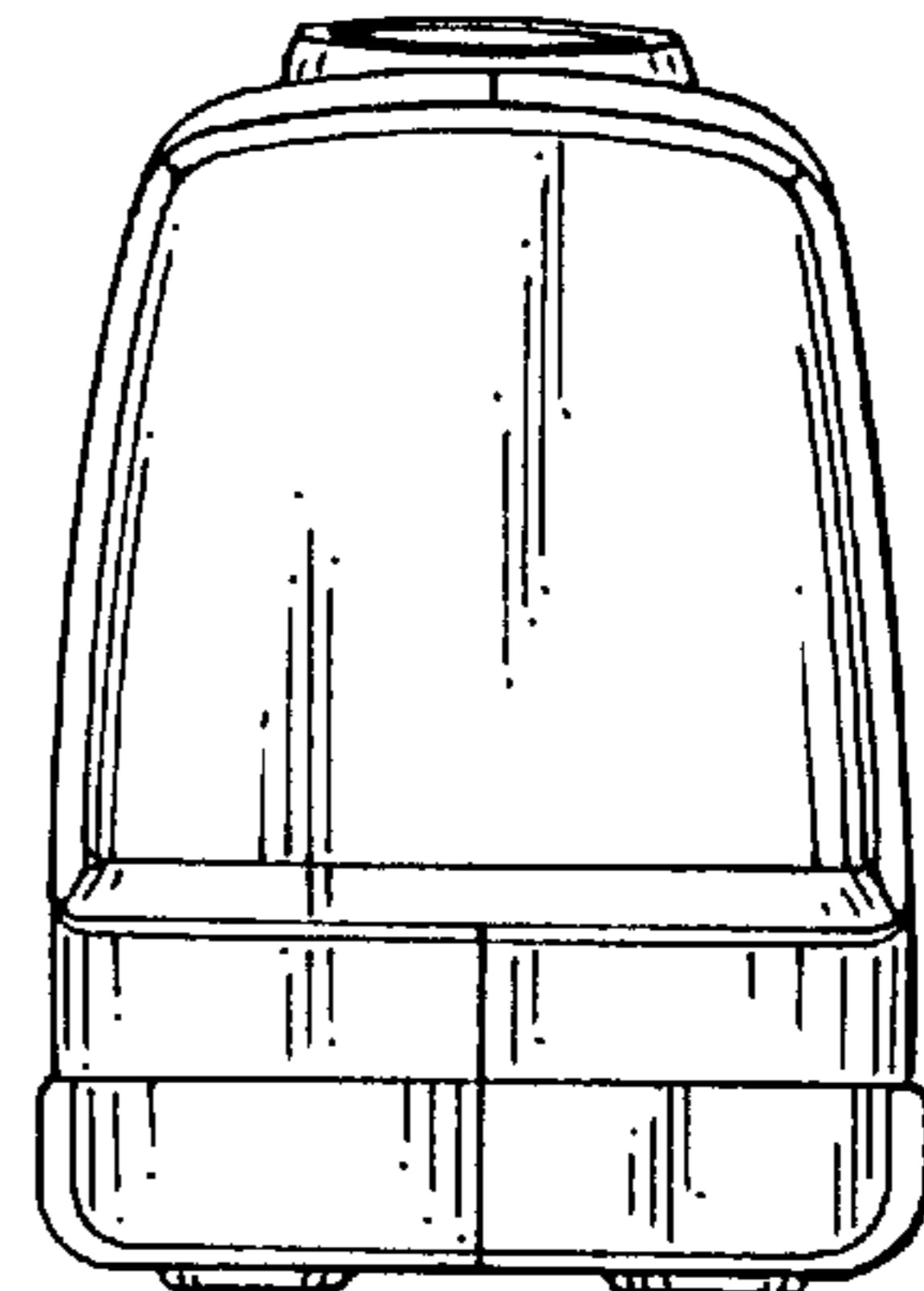


FIG. 4

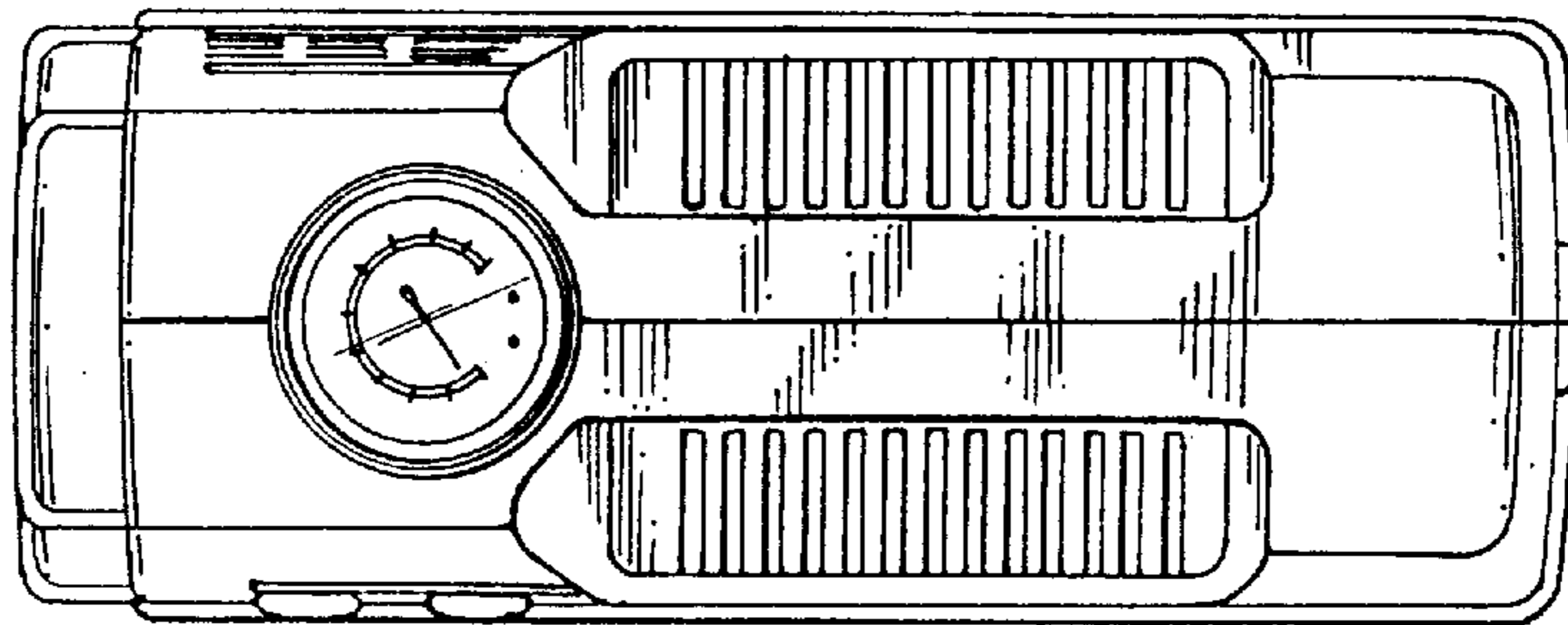


FIG. 6

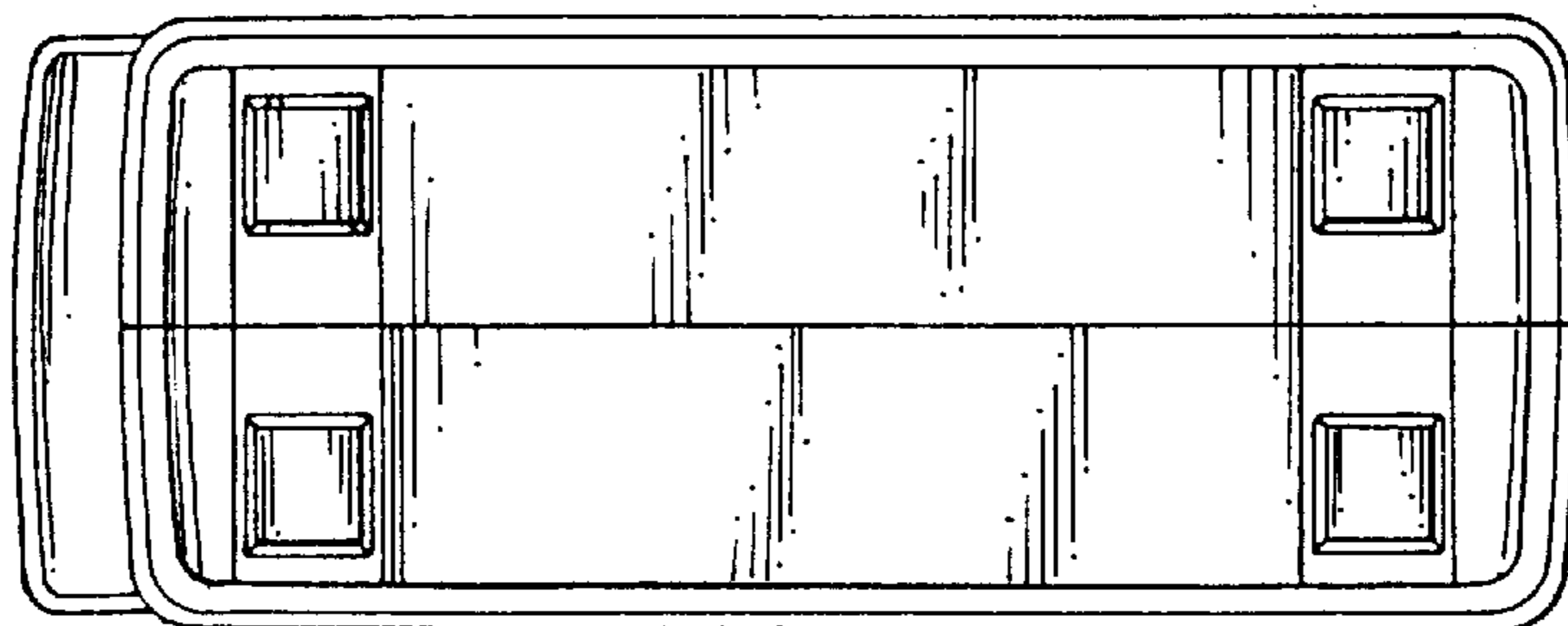


FIG. 7