



US00D407411S

United States Patent [19]
Chalberg et al.

[11] **Patent Number: Des. 407,411**

[45] **Date of Patent: **Mar. 30, 1999**

[54] **PUMP ASSEMBLY FOR WHIRLPOOL BATH SYSTEMS**

D. 357,687 4/1995 Jensen D15/7
D. 384,677 10/1997 Wunner et al. D15/7

[75] Inventors: **Philip E. Chalberg; Patrick B. Healey**, both of Costa Mesa, Calif.

Primary Examiner—Ralf Seifert
Attorney, Agent, or Firm—Leonard Tachner

[73] Assignee: **Hydrabaths, Inc.**, Santa Ana, Calif.

[57] **CLAIM**

[**] Term: **14 Years**

The ornamental design for “pump assembly for whirlpool bath systems”, as shown and described.

[21] Appl. No.: **87,043**

DESCRIPTION

[22] Filed: **Apr. 24, 1998**

FIG. 1 is a three-dimensional view of the present invention; FIG. 2 is a front view of the invention; FIG. 3 is a rear view thereof; FIG. 4 is a bottom view thereof; FIG. 5 is a top view thereof; FIG. 6 is a left-side view thereof; and, FIG. 7 is a right-side view thereof.

[51] **LOC (6) Cl.** **15-02**

[52] **U.S. Cl.** **D15/7**

[58] **Field of Search** D15/7-9; 417/360,
417/423.1, 423.14, 223.15, 424, 224.1,
68, 69

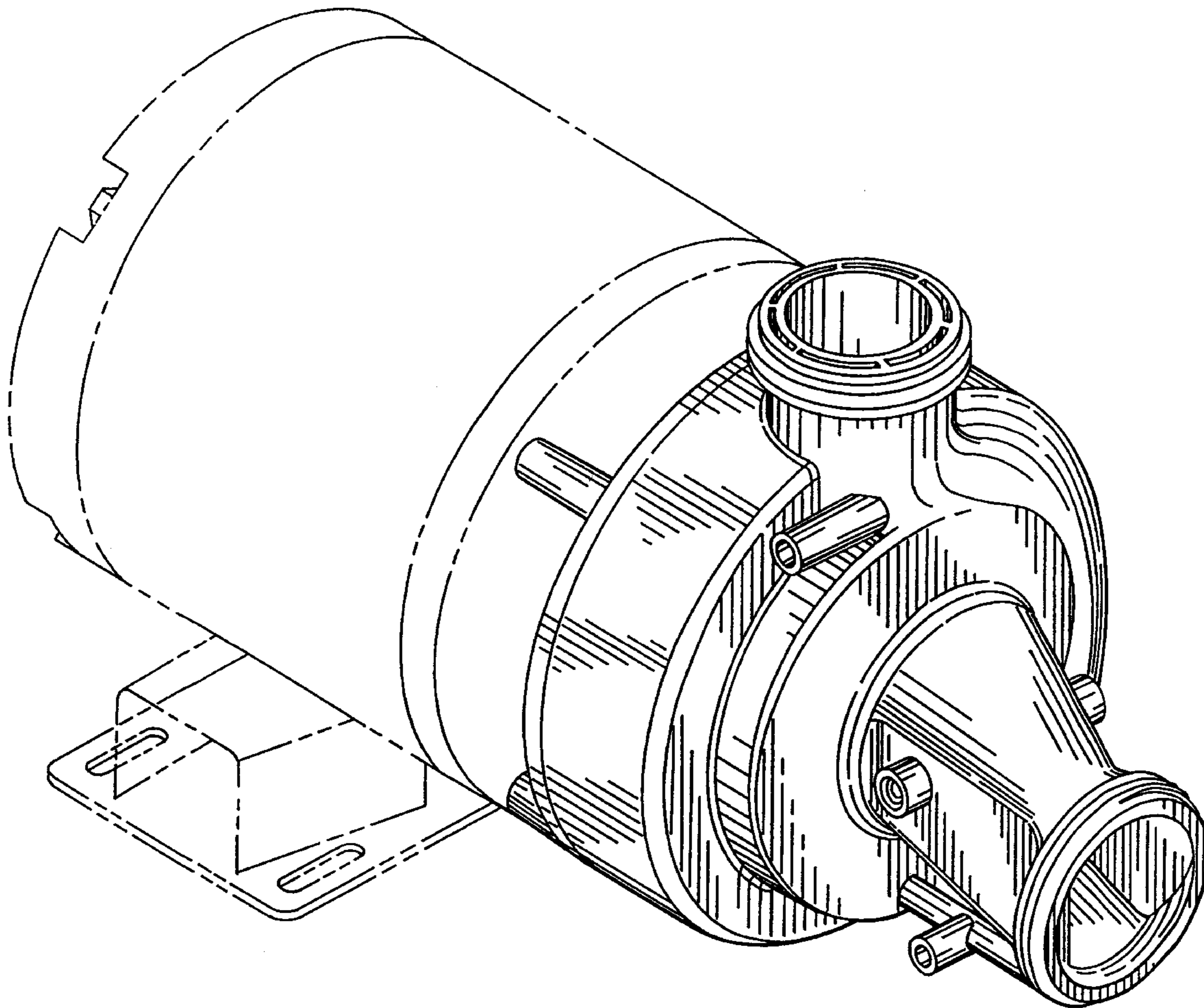
The broken line showing of a pump housing, in FIG. 1, is for illustrative purposes only and forms no part of the claimed design.

[56] **References Cited**

U.S. PATENT DOCUMENTS

D. 327,075 6/1992 Tiedemann D15/7

1 Claim, 4 Drawing Sheets



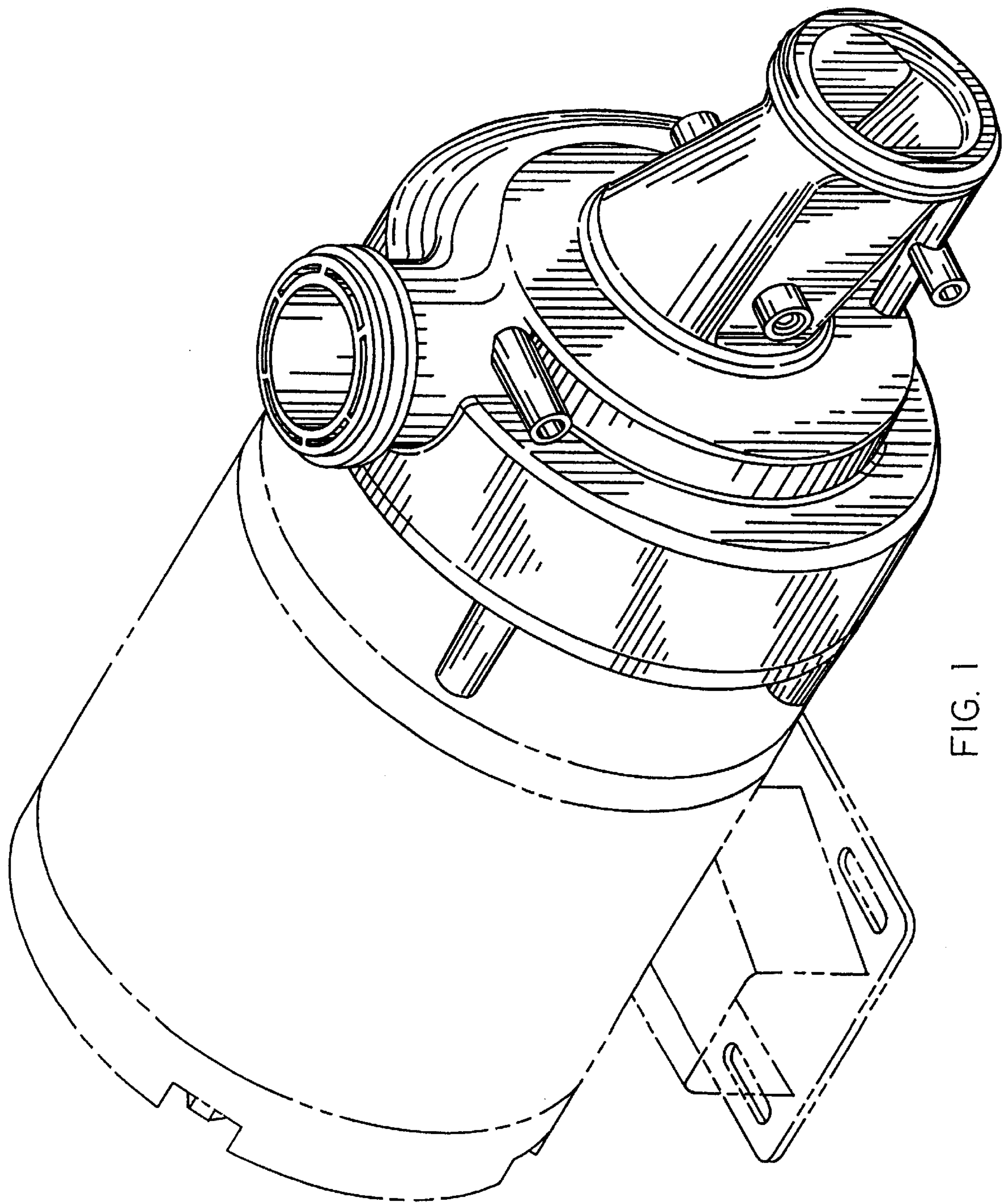


FIG. 1

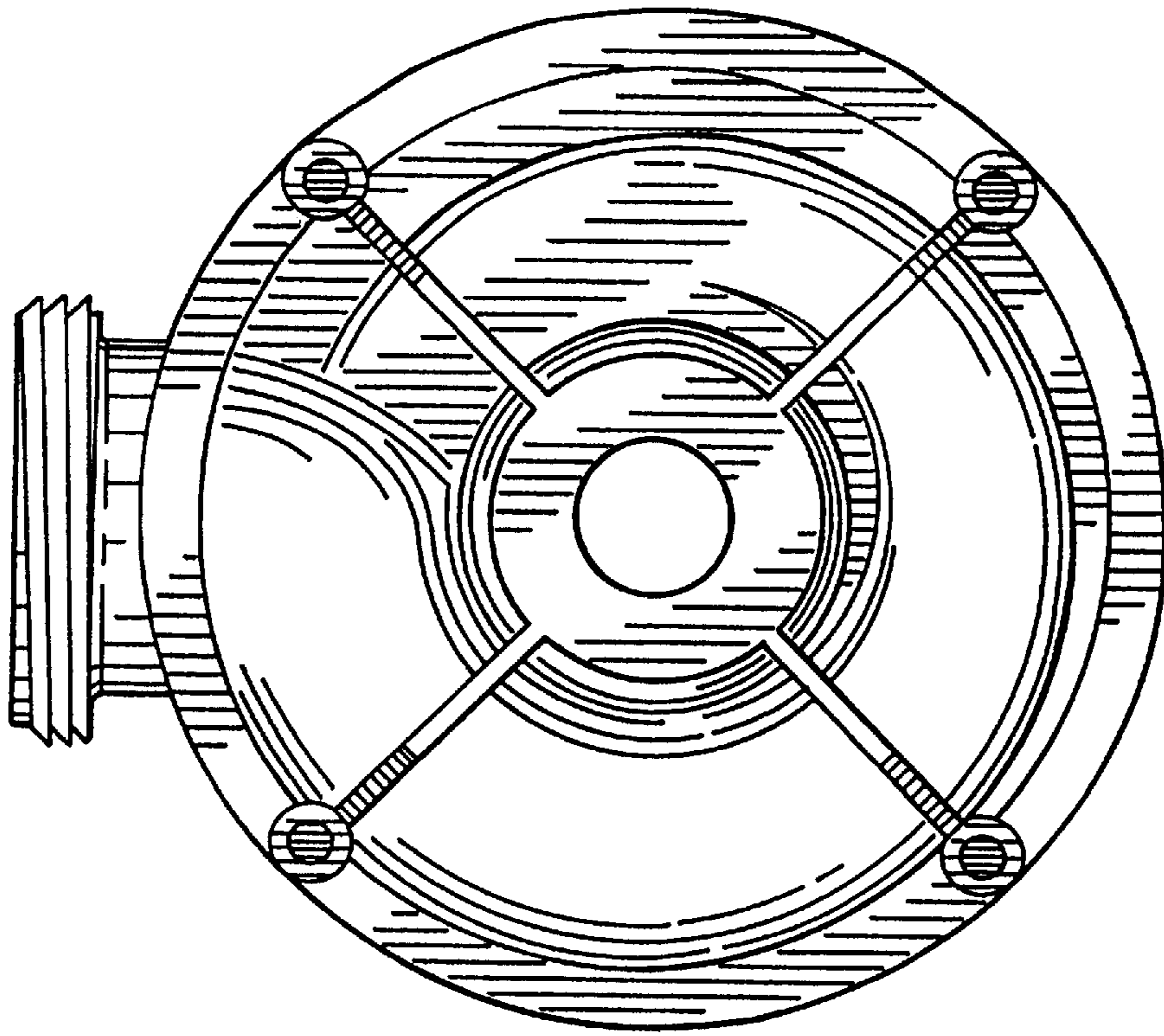


FIG. 3

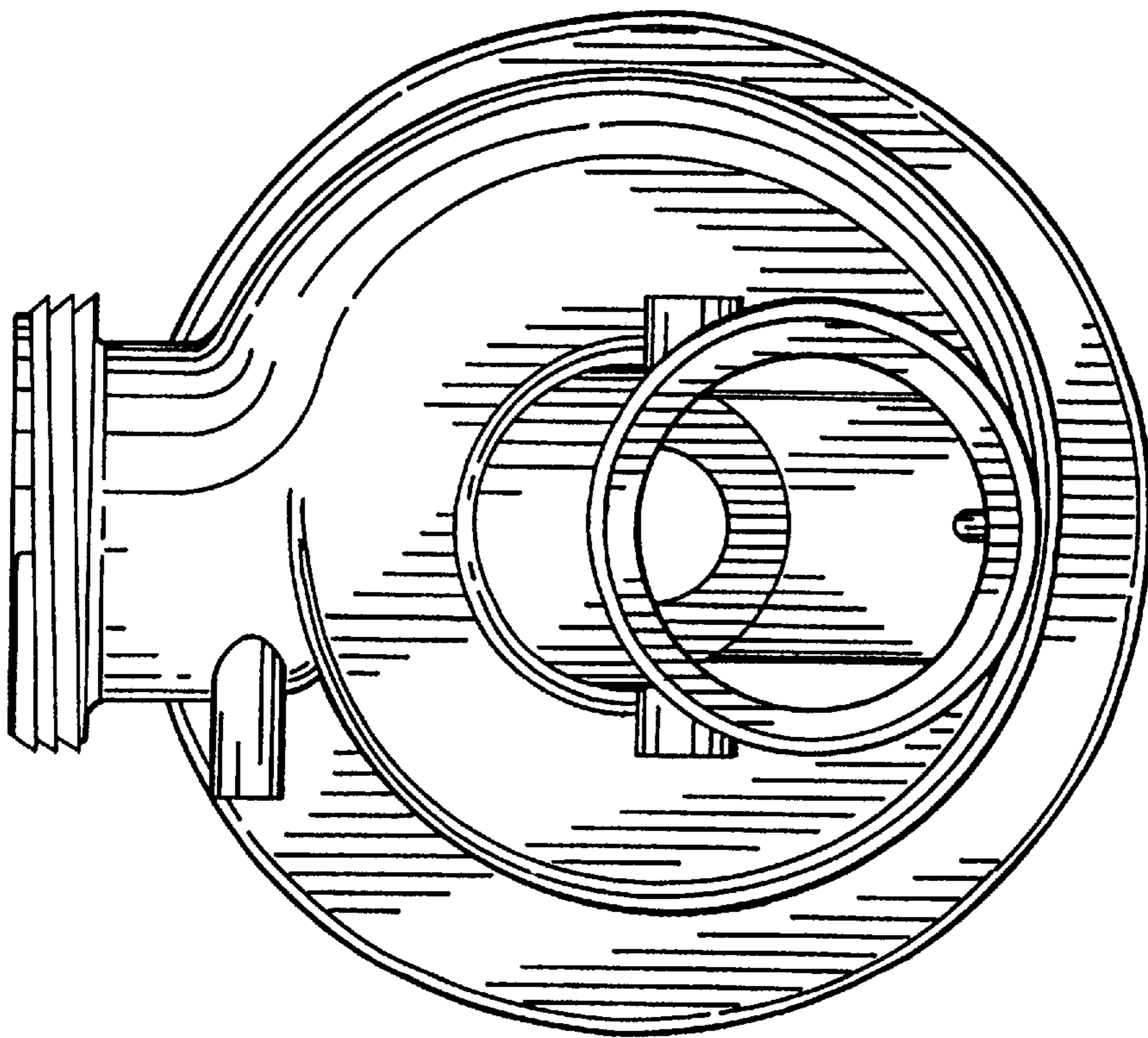


FIG. 2

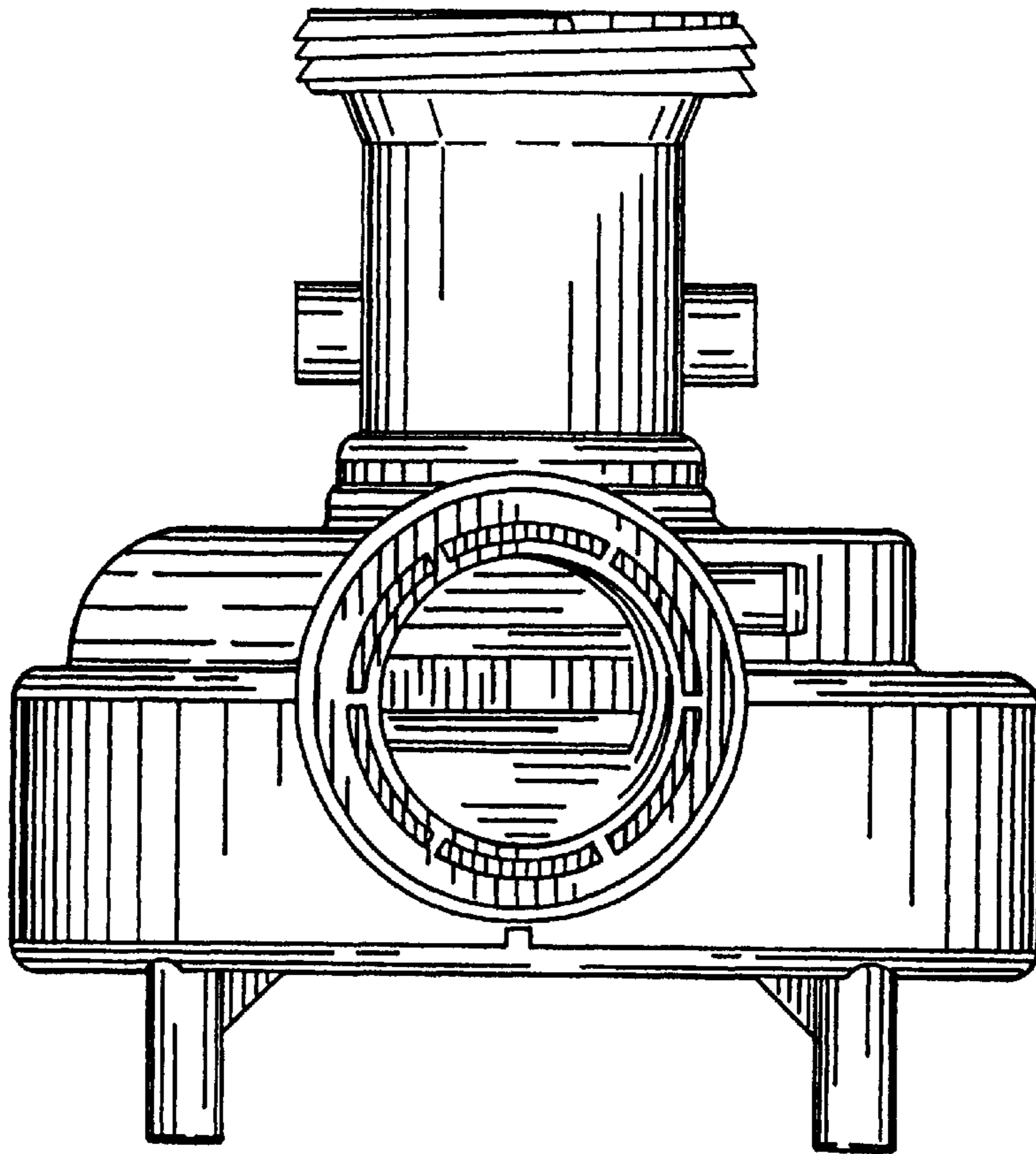


FIG. 5

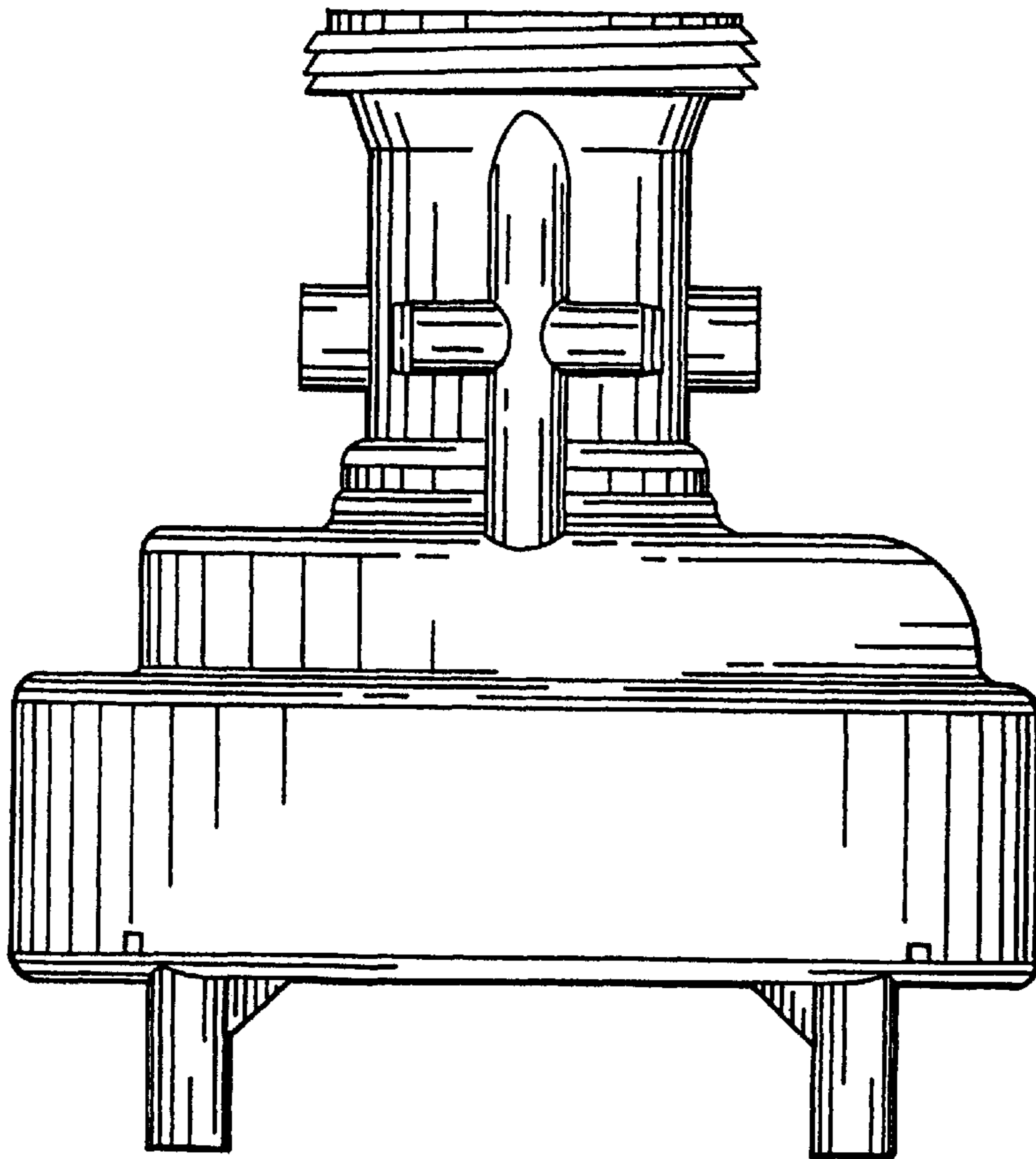


FIG. 4

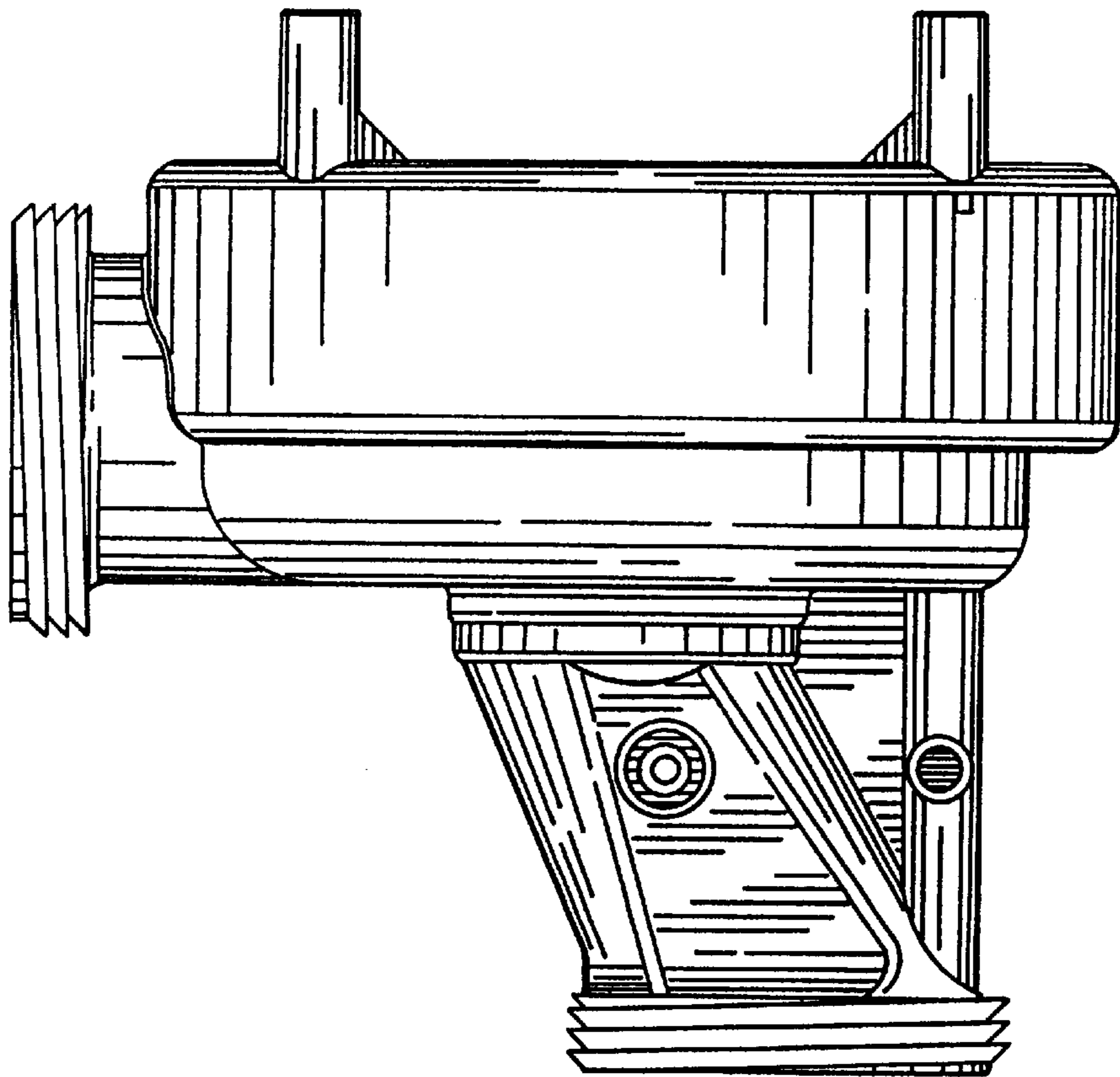


FIG. 7

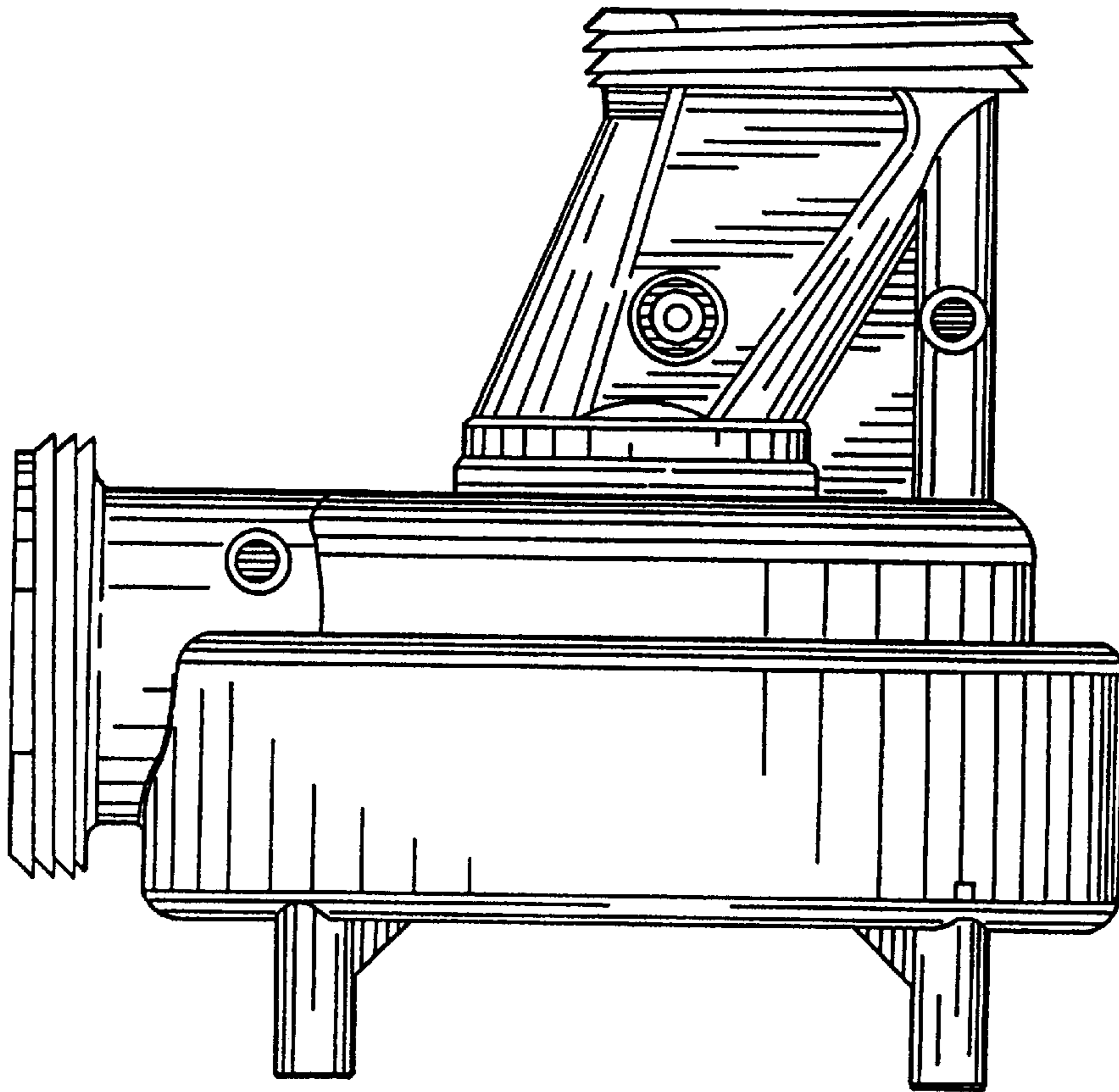


FIG. 6