



US00D407410S

United States Patent [19]
Ohsumi

[11] **Patent Number: Des. 407,410**

[45] **Date of Patent: **Mar. 30, 1999**

[54] **WATER PUMP**

[75] Inventor: **Masayuki Ohsumi**, Wako, Japan

[73] Assignee: **Honda Giken Kogyo Kabushiki Kaisha**, Tokyo, Japan

[**] Term: **14 Years**

[21] Appl. No.: **84,229**

[22] Filed: **Feb. 27, 1998**

[30] **Foreign Application Priority Data**

Aug. 27, 1997 [JP] Japan 9-65899

[51] **LOC (6) Cl.** **15-02**

[52] **U.S. Cl.** **D15/7**

[58] **Field of Search** D15/7-9; 417/360,
417/423.1, 423.14, 223.15, 424, 224.1,
539; D32/3, 5

[56] **References Cited**

U.S. PATENT DOCUMENTS

D. 262,113 12/1981 Durrum D15/7

D. 262,114 12/1981 Rowlands D15/7
D. 296,103 6/1988 Harvey D15/7
D. 394,067 5/1998 Kon D15/7

Primary Examiner—Ralf Seifert
Attorney, Agent, or Firm—Lyon & Lyon LLP

[57] **CLAIM**

The ornamental design for a water pump, as shown and described.

DESCRIPTION

FIG. 1 is a front elevation view of water pump showing my new design;

FIG. 2 is a rear elevation view thereof;

FIG. 3 is a top plan view thereof;

FIG. 4 is a bottom view thereof;

FIG. 5 is a right side elevation view thereof;

FIG. 6 is a left side elevation view thereof;

FIG. 7 is a perspective view thereof; and,

FIG. 8 is another perspective view thereof.

1 Claim, 8 Drawing Sheets

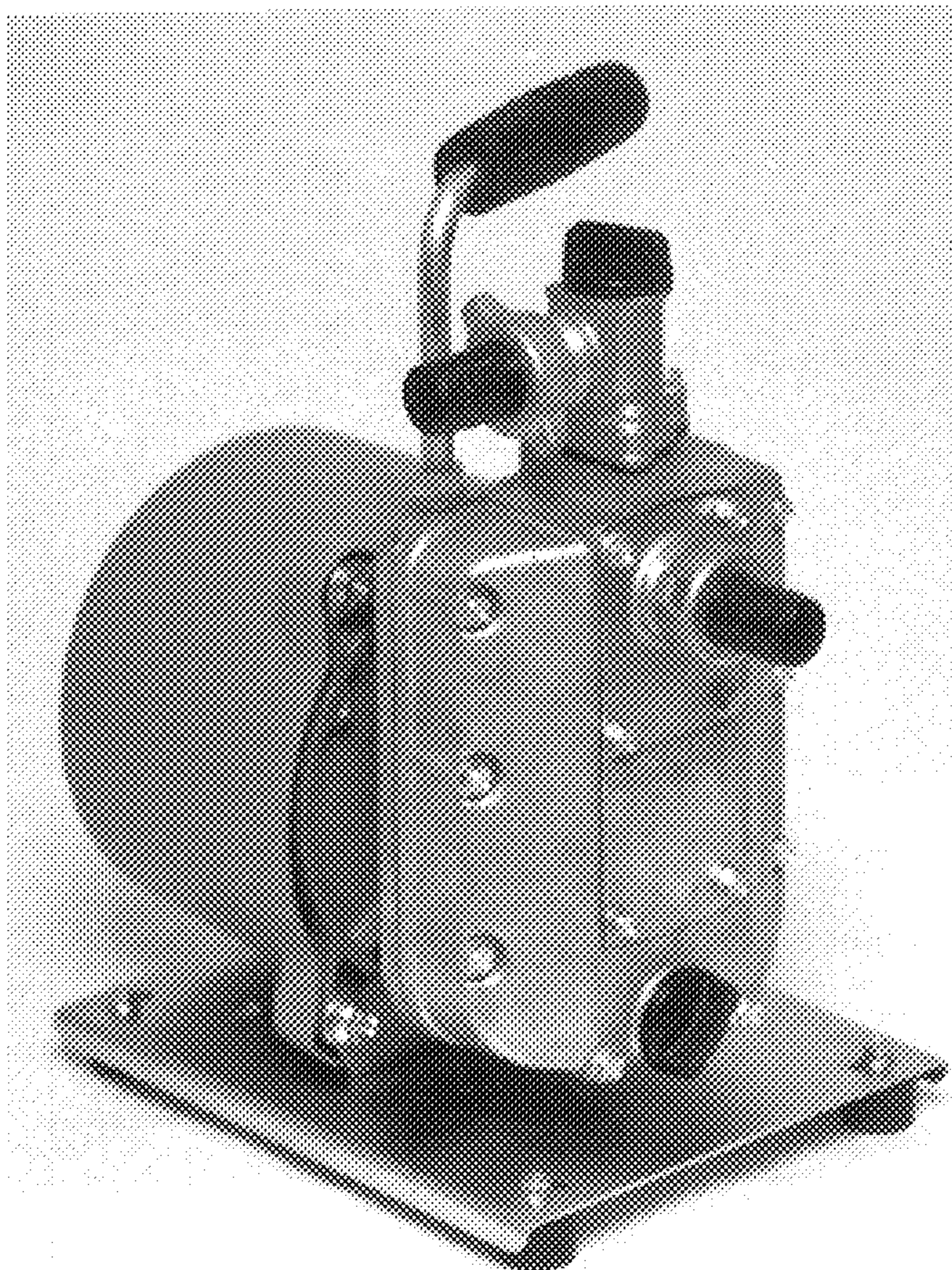


FIG. 1

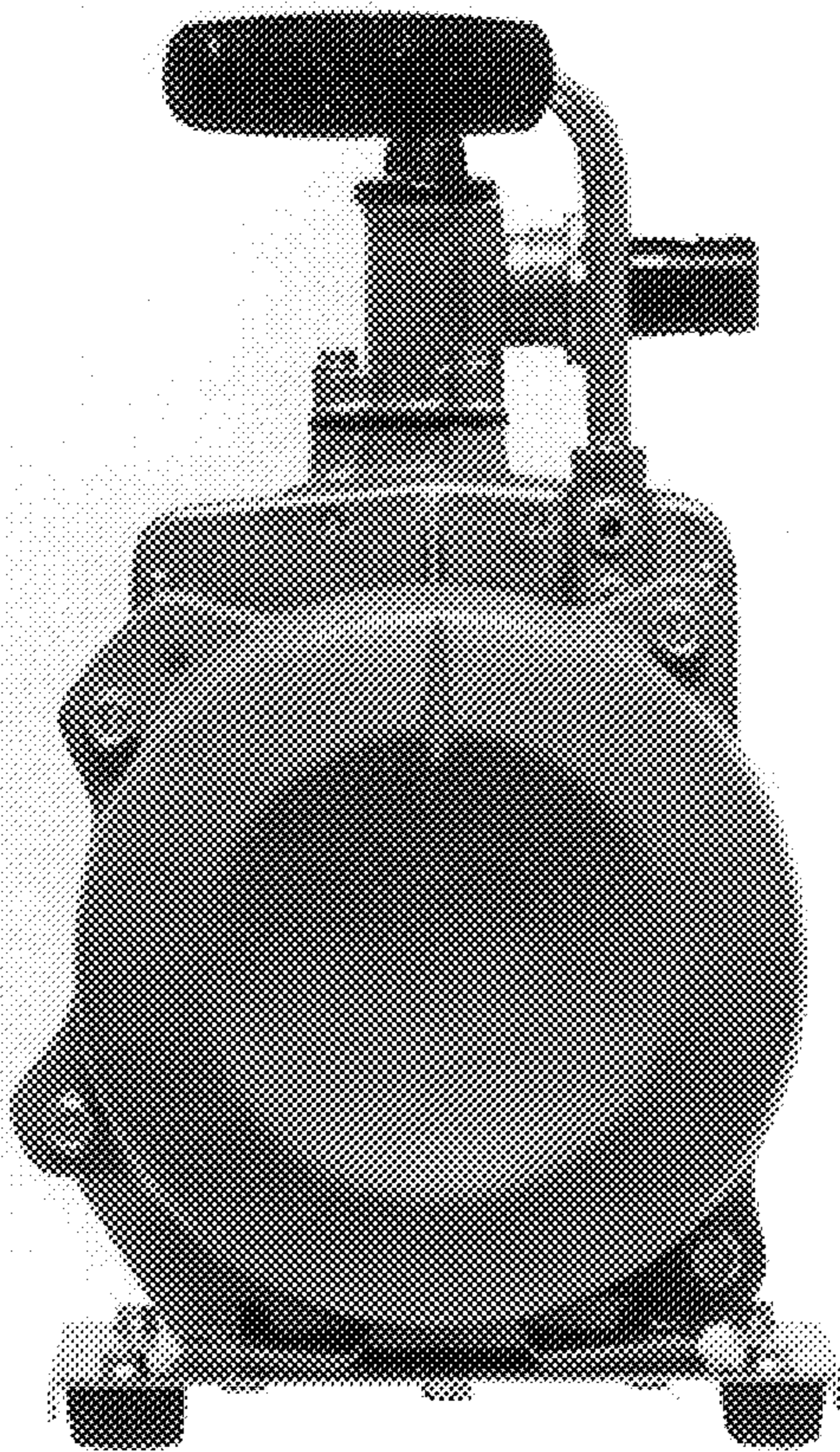


FIG.2

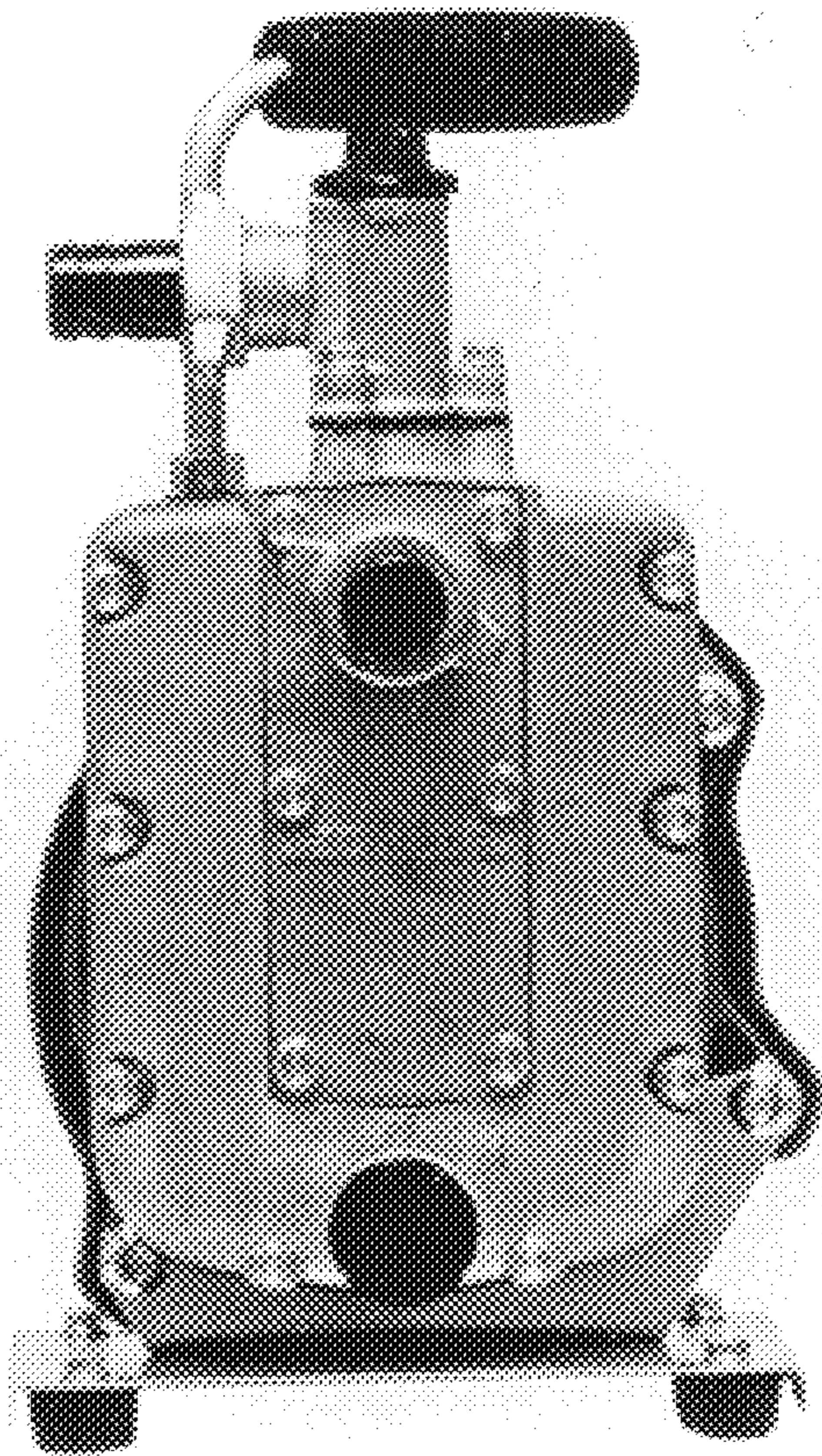


FIG.3

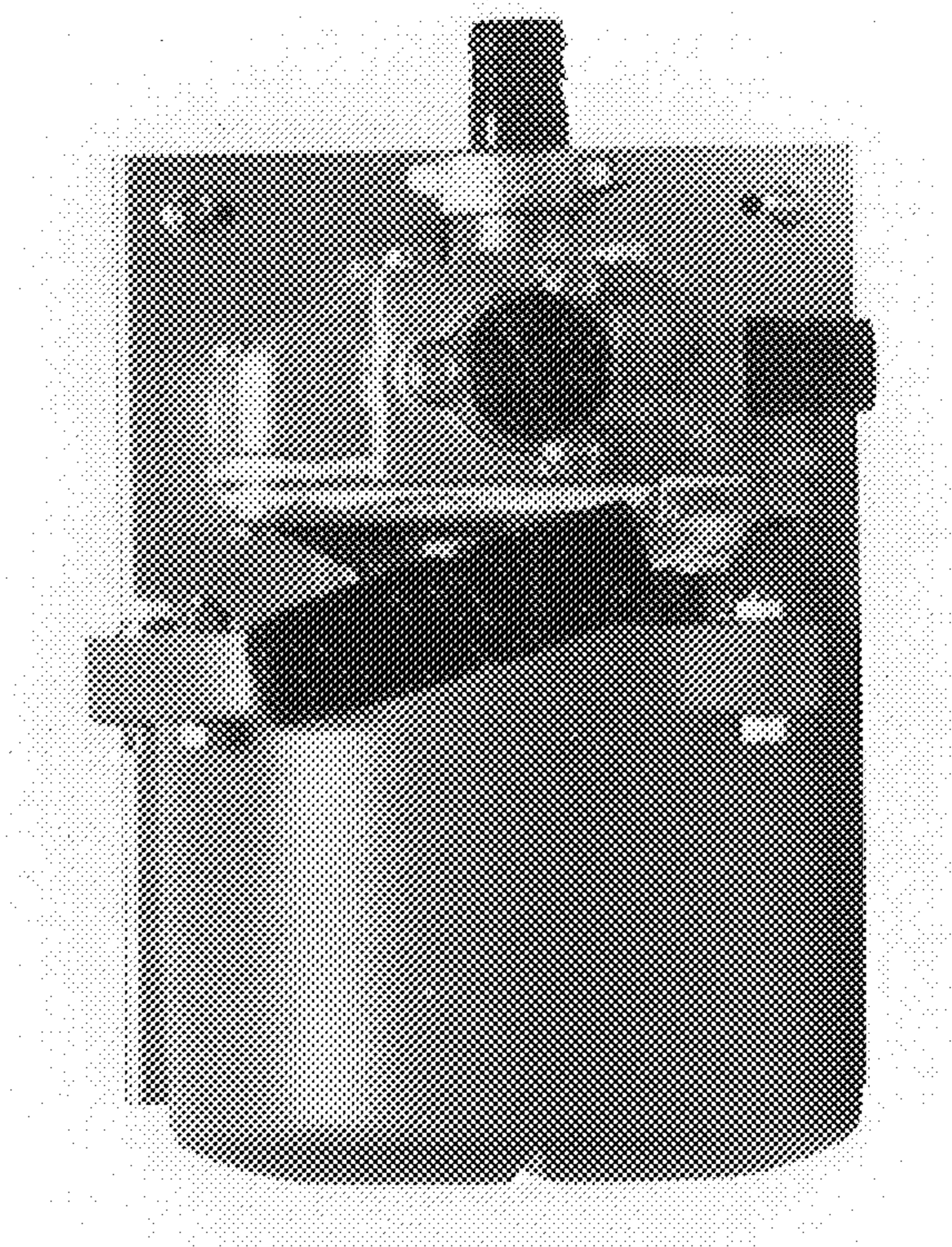


FIG.4

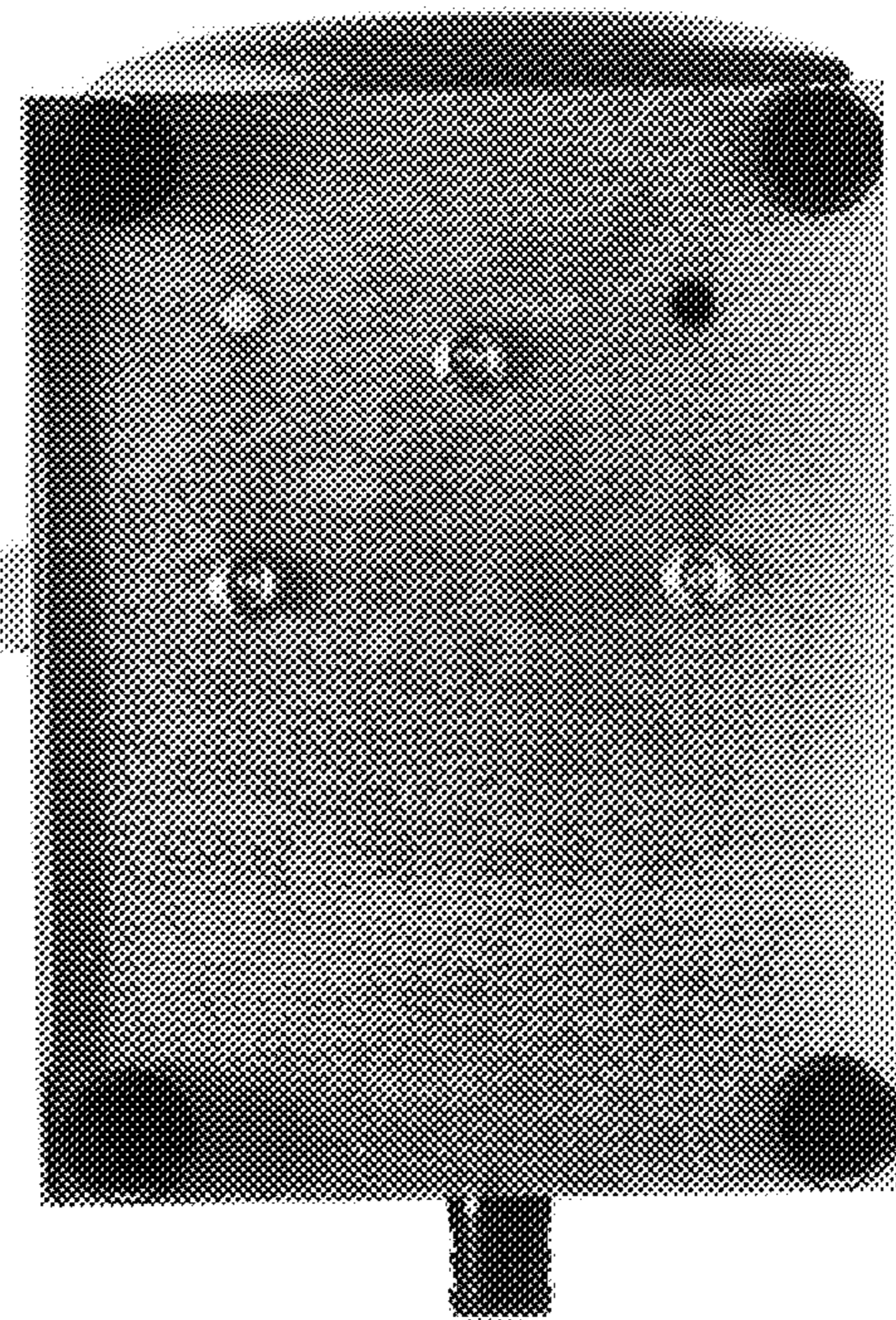


FIG.5

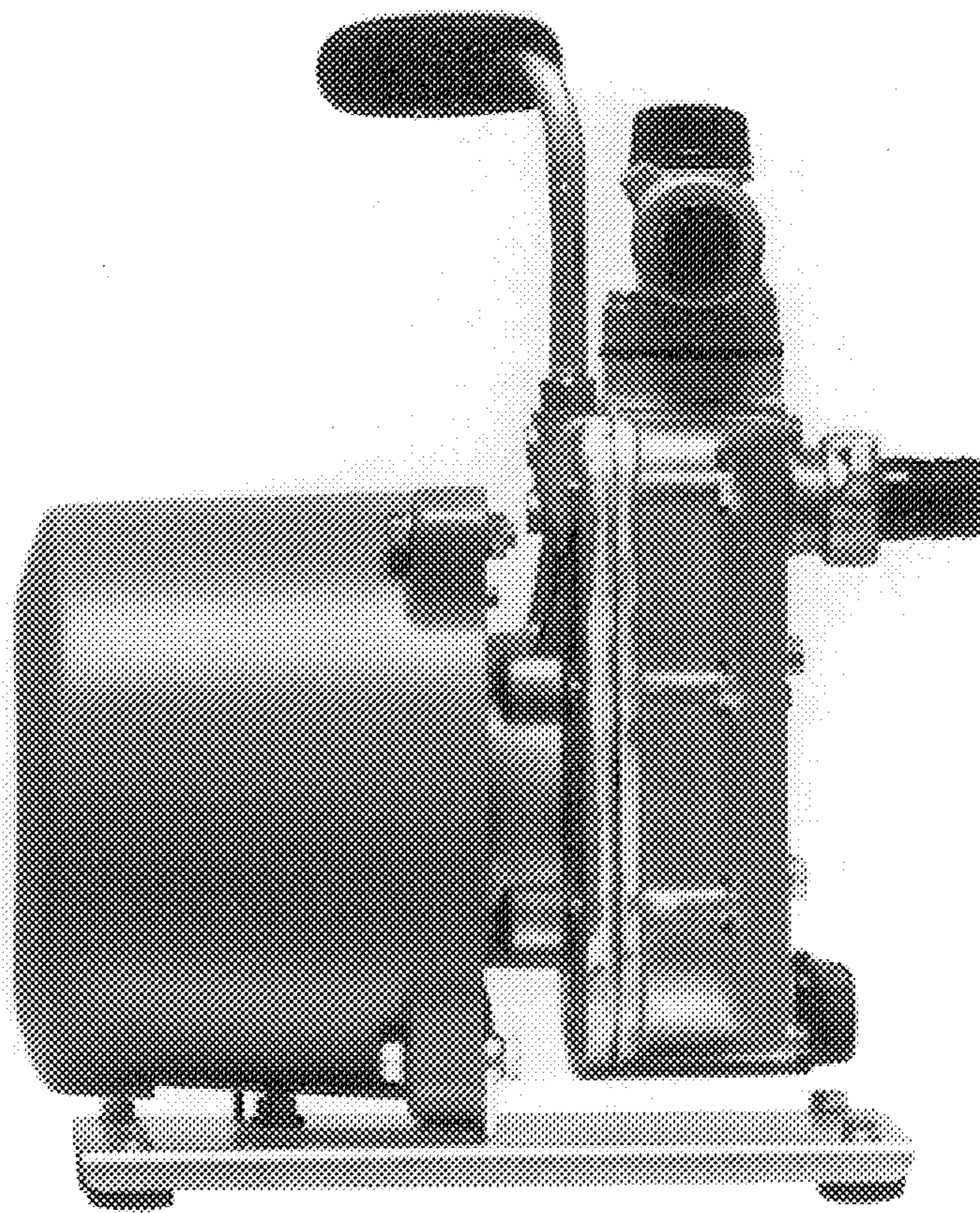


FIG.6

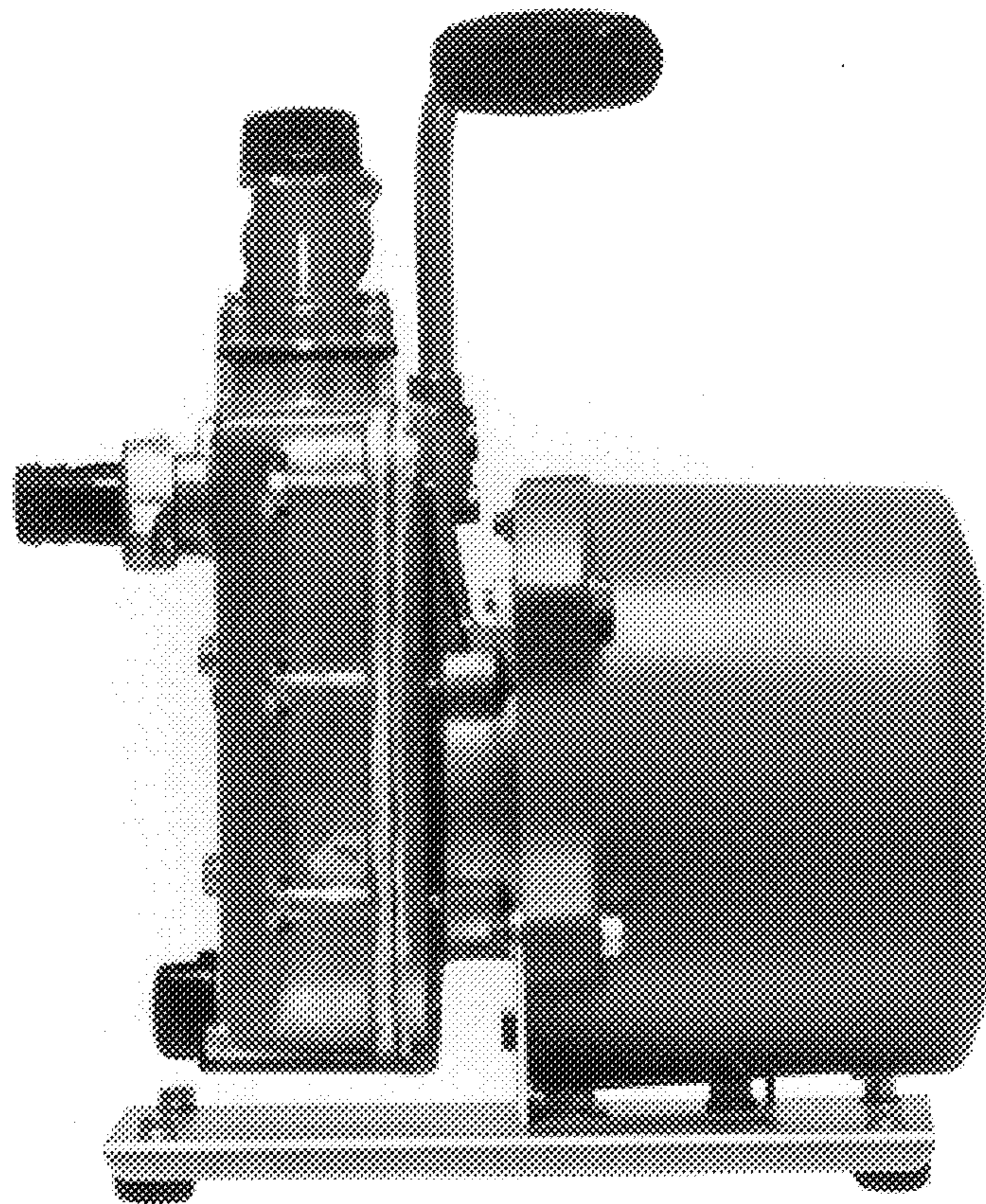


FIG.7

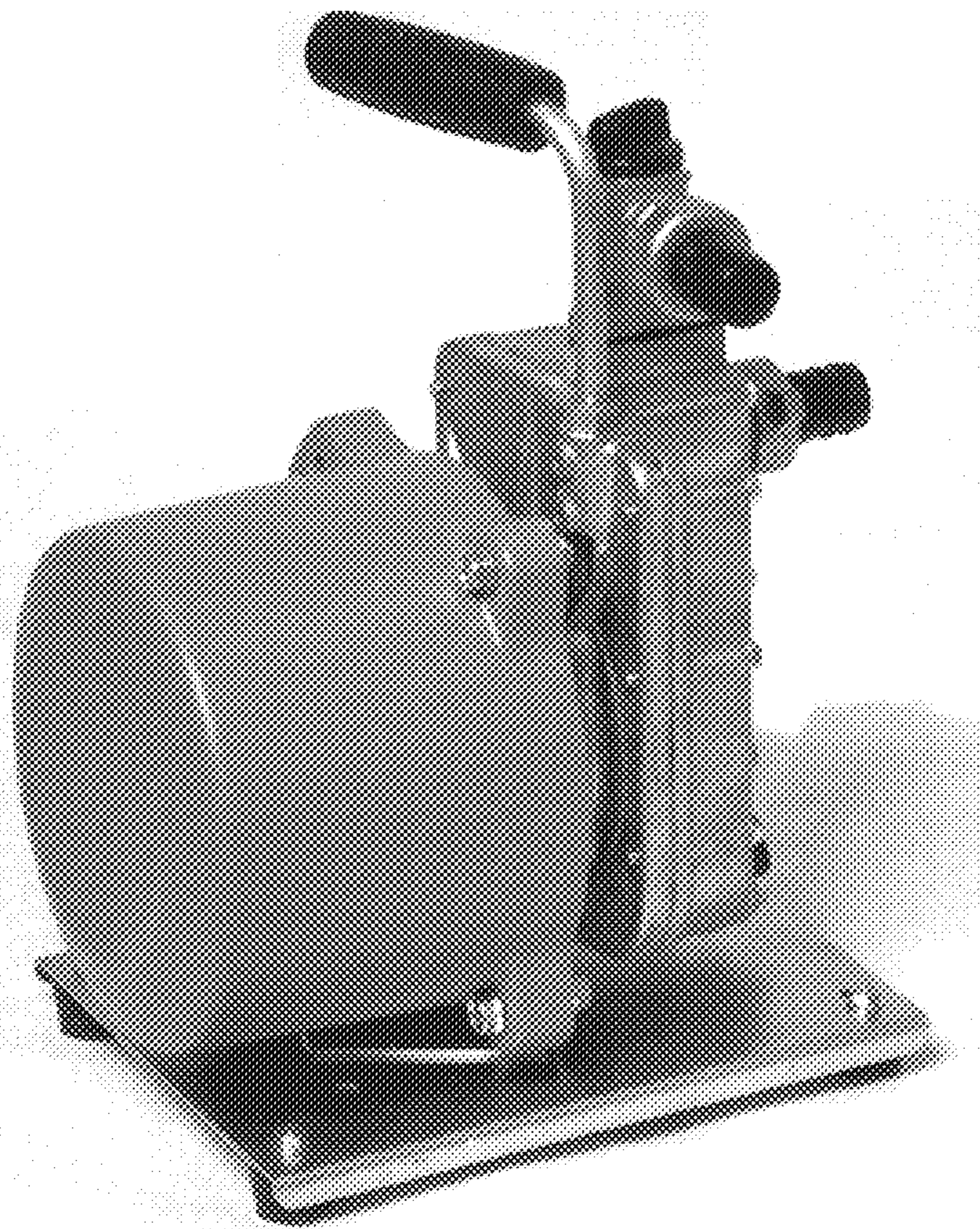


FIG.8

