



US00D407409S

# United States Patent [19]

Masuda et al.

[11] **Patent Number: Des. 407,409**

[45] **Date of Patent: \*\*Mar. 30, 1999**

[54] **RODLESS CYLINDER**

5,275,088 1/1994 Takada et al. .... 92/165 R  
5,363,741 11/1994 Takada et al. .... 92/165 R

[75] Inventors: **Mitsuo Masuda; Yoshiyuki Sugahara,**  
both of Yawara-mura, Japan

[73] Assignee: **SMC Corporation,** Tokyo, Japan

[\*\*] Term: **14 Years**

*Primary Examiner*—Ted Shooman  
*Assistant Examiner*—Nanda Bondade  
*Attorney, Agent, or Firm*—Oblon, Spivak, McClelland,  
Maier & Neustadt, P.C.

[21] Appl. No.: **48,609**

[22] Filed: **Jan. 5, 1996**

[57] **CLAIM**

The ornamental design for a rodless cylinder, as shown and described.

[30] **Foreign Application Priority Data**

Jul. 7, 1995 [JP] Japan ..... 7-19687

[51] **LOC (6) Cl.** ..... **15-01**

[52] **U.S. Cl.** ..... **D15/5; D15/199**

[58] **Field of Search** ..... D15/5, 143, 199;  
92/88, 137, 146, 165 R; 277/DIG. 7; 384/43,  
49

**DESCRIPTION**

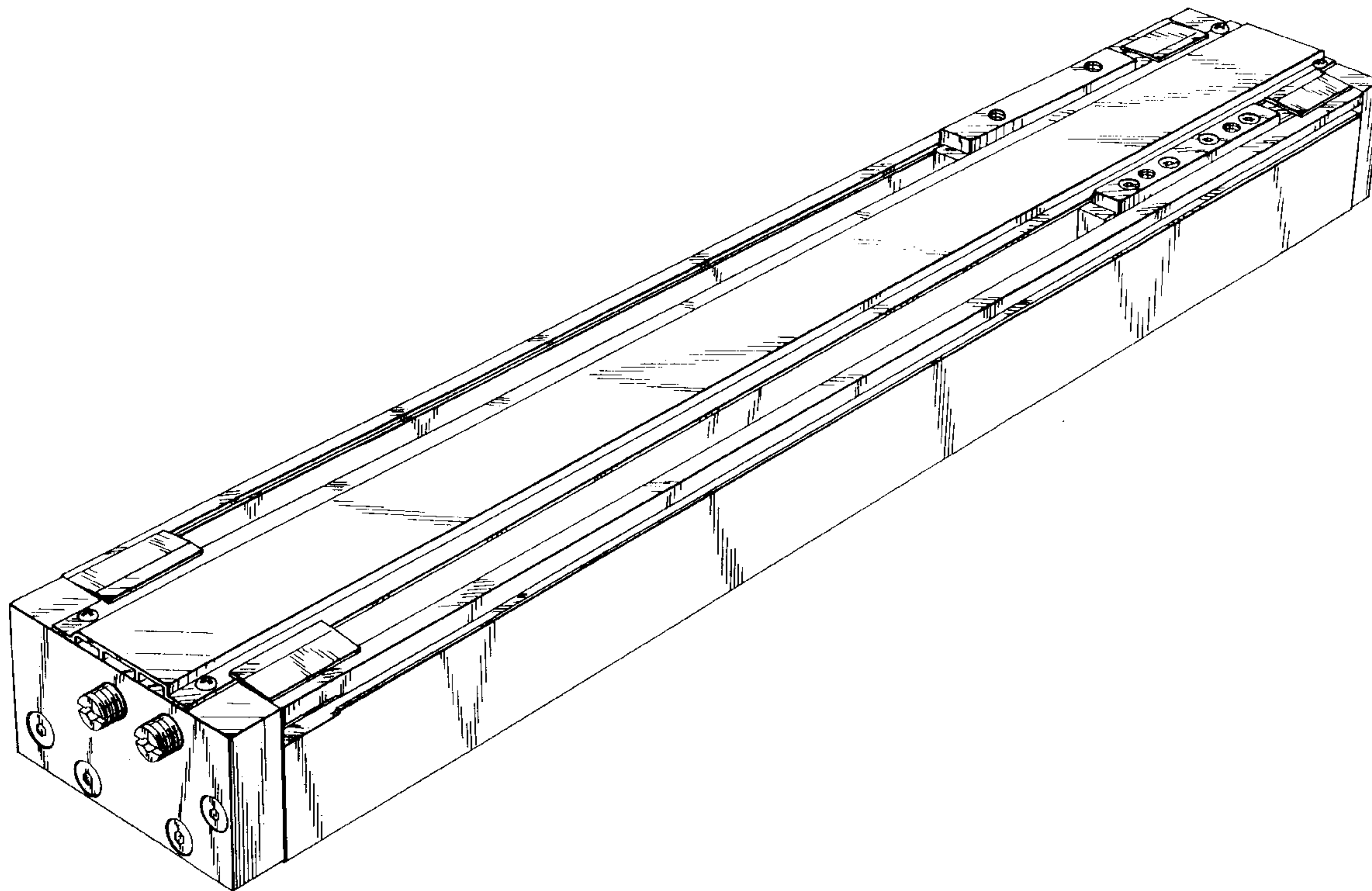
FIG. 1 is a top, front and left side perspective view of rodless cylinder, showing our new design;  
FIG. 2 is a front elevational view thereof;  
FIG. 3 is a rear elevational view thereof;  
FIG. 4 is a top plan view thereof;  
FIG. 5 is a left side view thereof;  
FIG. 6 is a right side view thereof;  
FIG. 7 is a bottom plan view thereof; and,  
FIG. 8 is a bottom, rear and right side perspective view thereof.

[56] **References Cited**

**U.S. PATENT DOCUMENTS**

D. 333,666 3/1993 Kawashima et al. .... D15/199 X

**1 Claim, 5 Drawing Sheets**



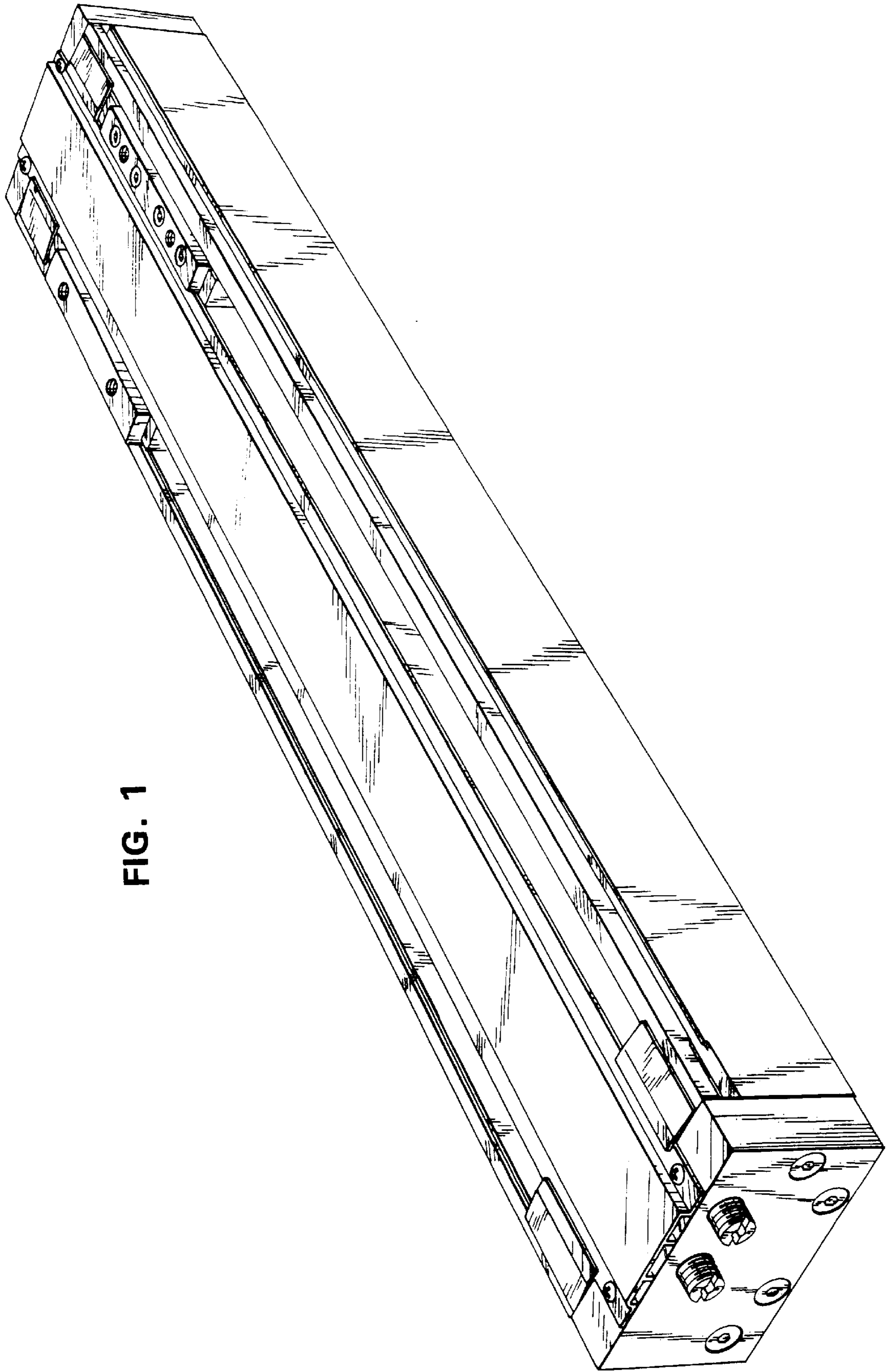


FIG. 1

FIG. 2

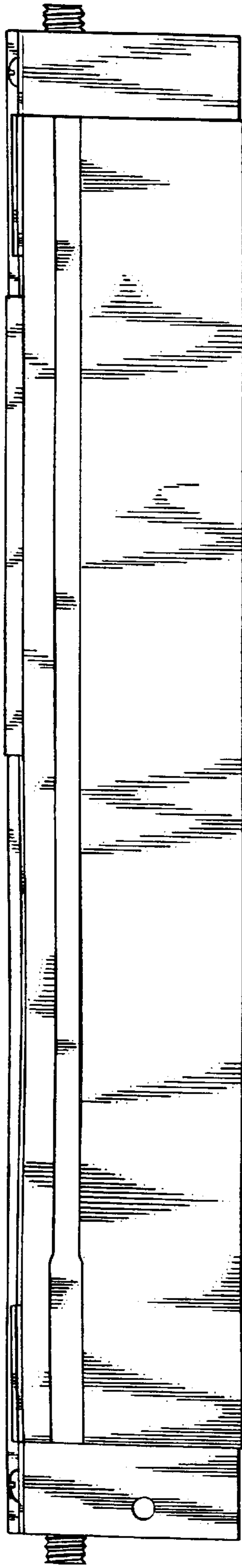


FIG. 3

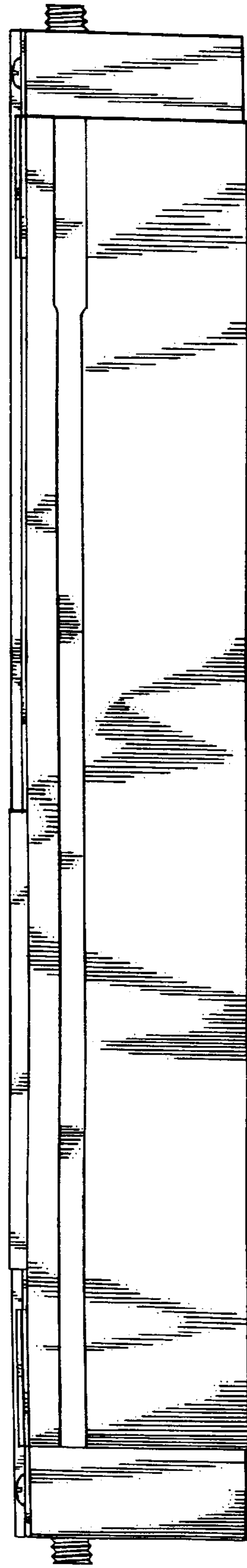


FIG. 4

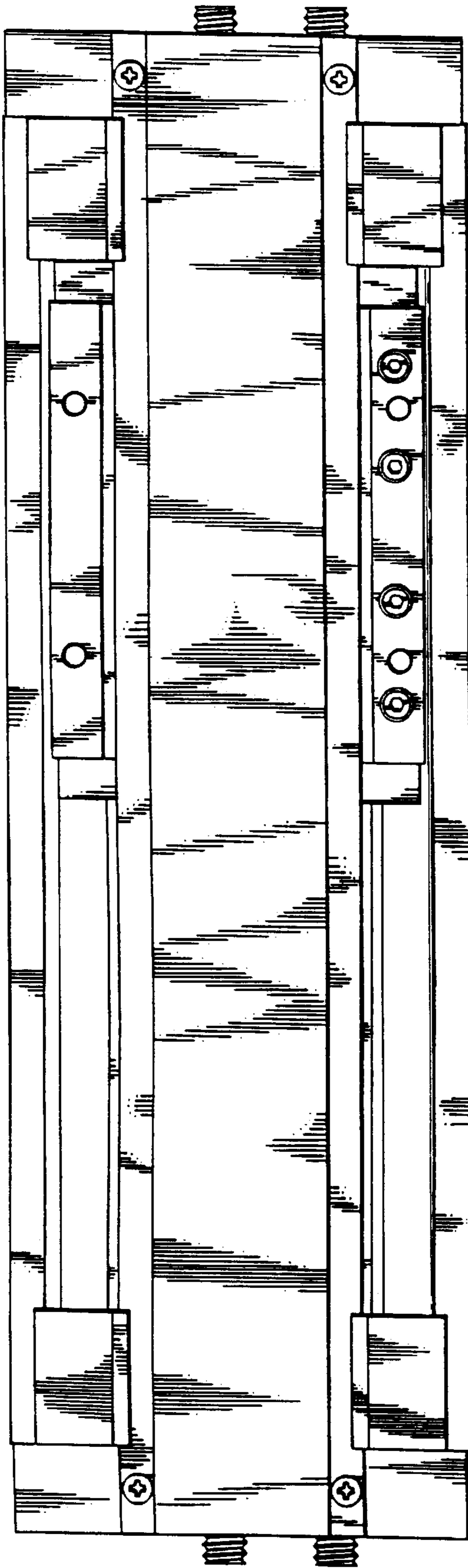


FIG. 5

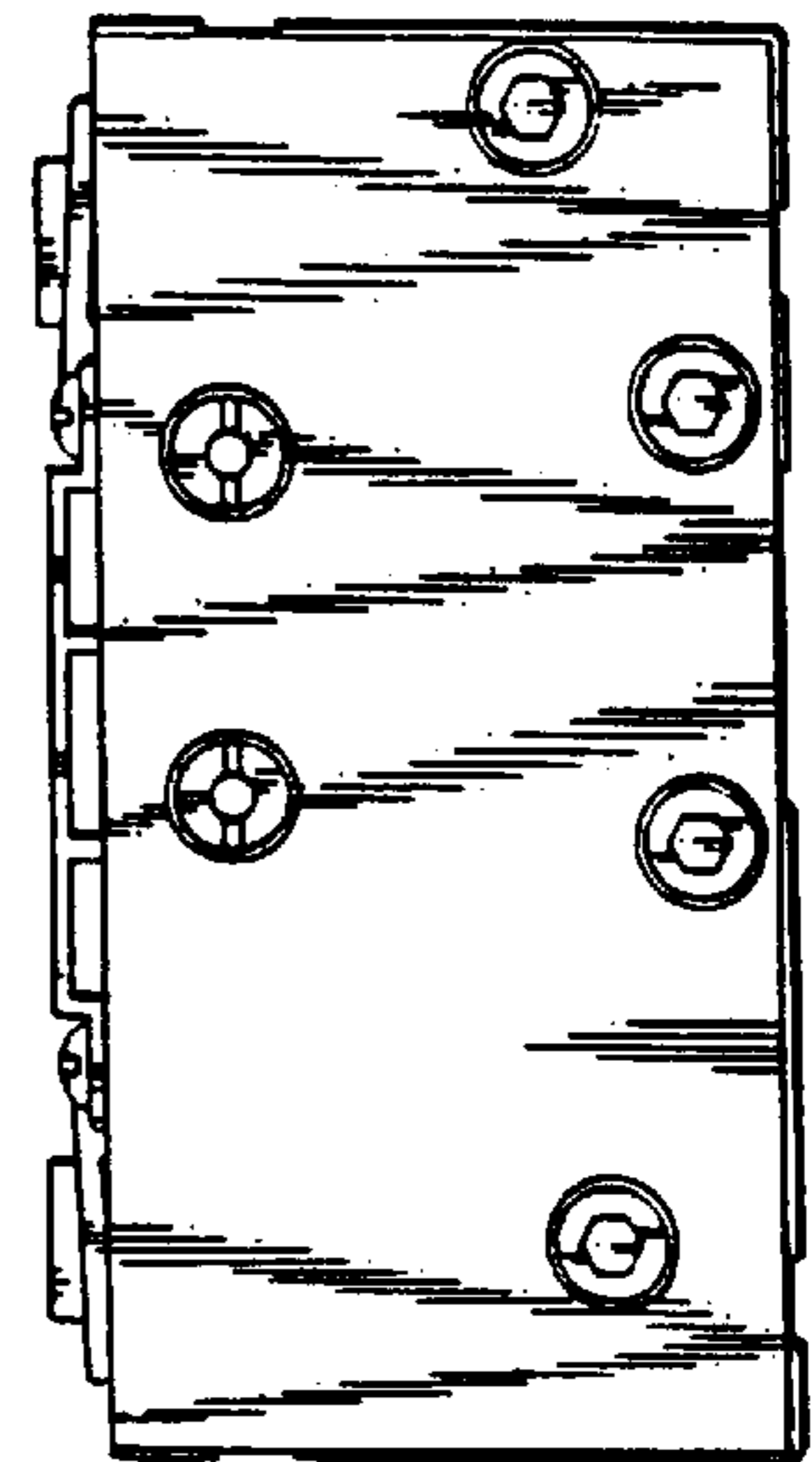


FIG. 6

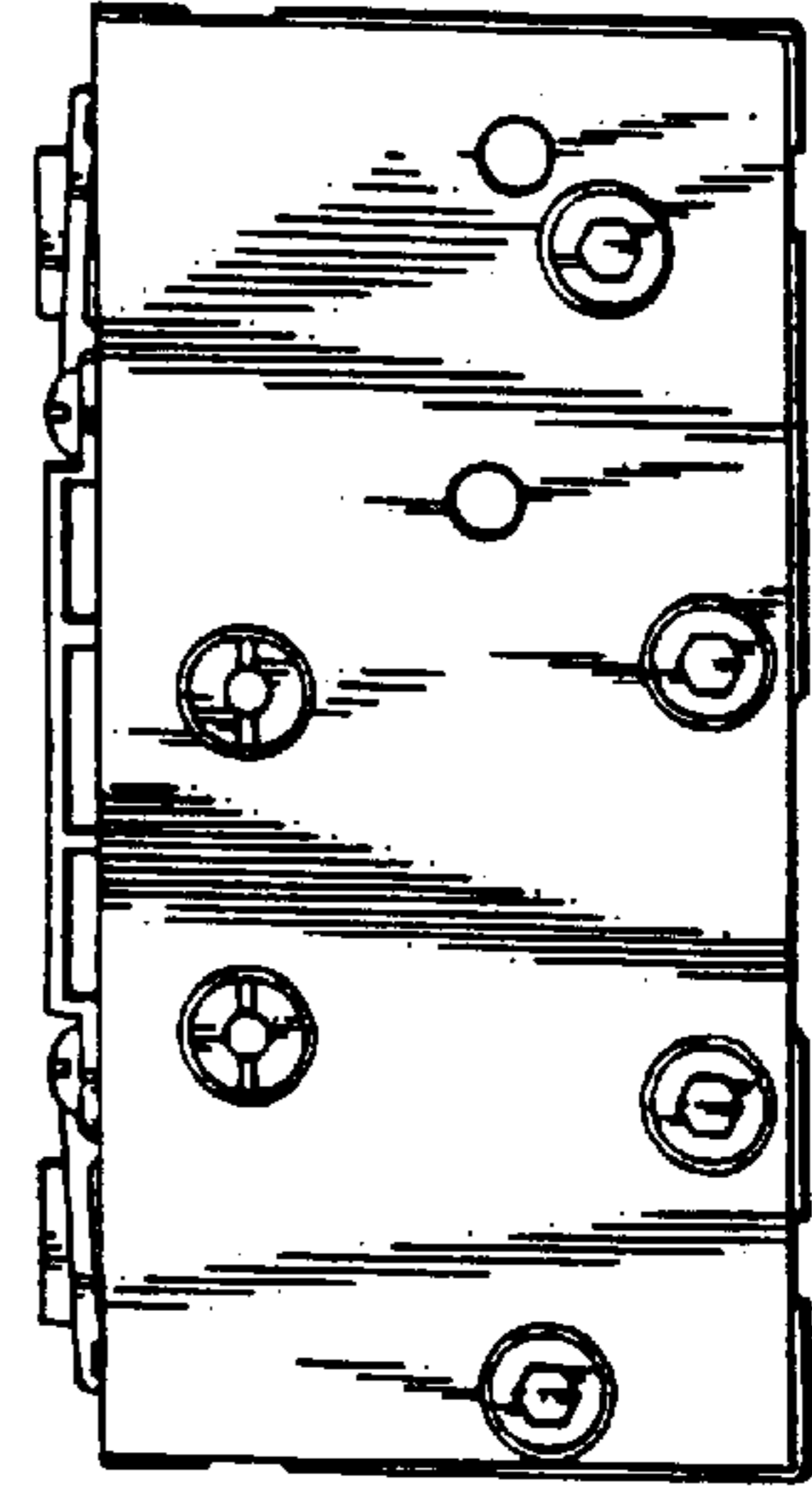
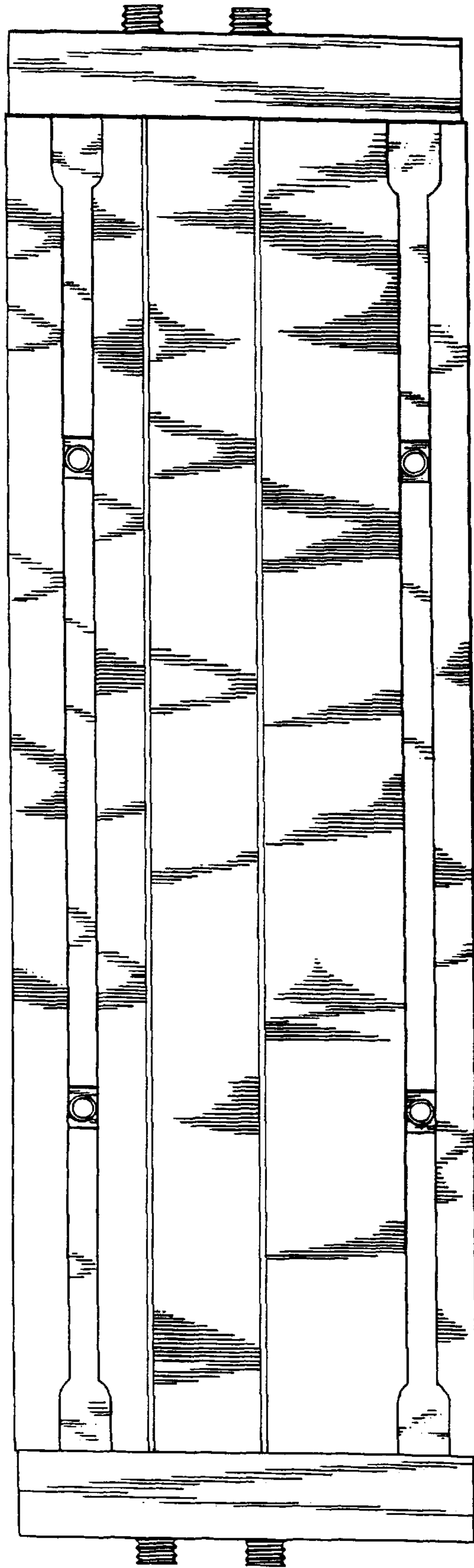


FIG. 7



**FIG. 8**

