



US00D407408S

United States Patent [19] Hoff

[11] **Patent Number: Des. 407,408**

[45] **Date of Patent: **Mar. 30, 1999**

[54] **PHONE HOLDER**

[76] Inventor: **Thomas Hoff**, 270 Pawnee Ct., Girard, Ohio 44420

[**] Term: **14 Years**

[21] Appl. No.: **90,546**

[22] Filed: **Jul. 10, 1998**

[51] **LOC (6) Cl. 14-03**

[52] **U.S. Cl. D14/253**

[58] **Field of Search** D14/137, 138, D14/148, 147, 149-151, 140-142, 240, 241, 251, 253; 379/433-436, 419, 420, 428, 440, 454, 455, 446, 447; D13/107, 108; D20/110, 113, 114, 115

[56] **References Cited**

U.S. PATENT DOCUMENTS

D. 59,801	11/1921	Wise	D14/253
D. 289,898	5/1987	Miller	379/454 X
D. 309,307	7/1990	Sigurdson	D14/251

D. 323,504	1/1992	Langton	D14/253
D. 341,836	11/1993	O'Connor	D14/251
D. 388,434	12/1997	Lepack	D14/149
5,187,744	2/1993	Richter	379/455 X
5,392,350	2/1995	Swanson	379/446
5,745,565	4/1998	Wakefield	379/455 X

Primary Examiner—Jeffrey Asch
Attorney, Agent, or Firm—Harpman & Harpman

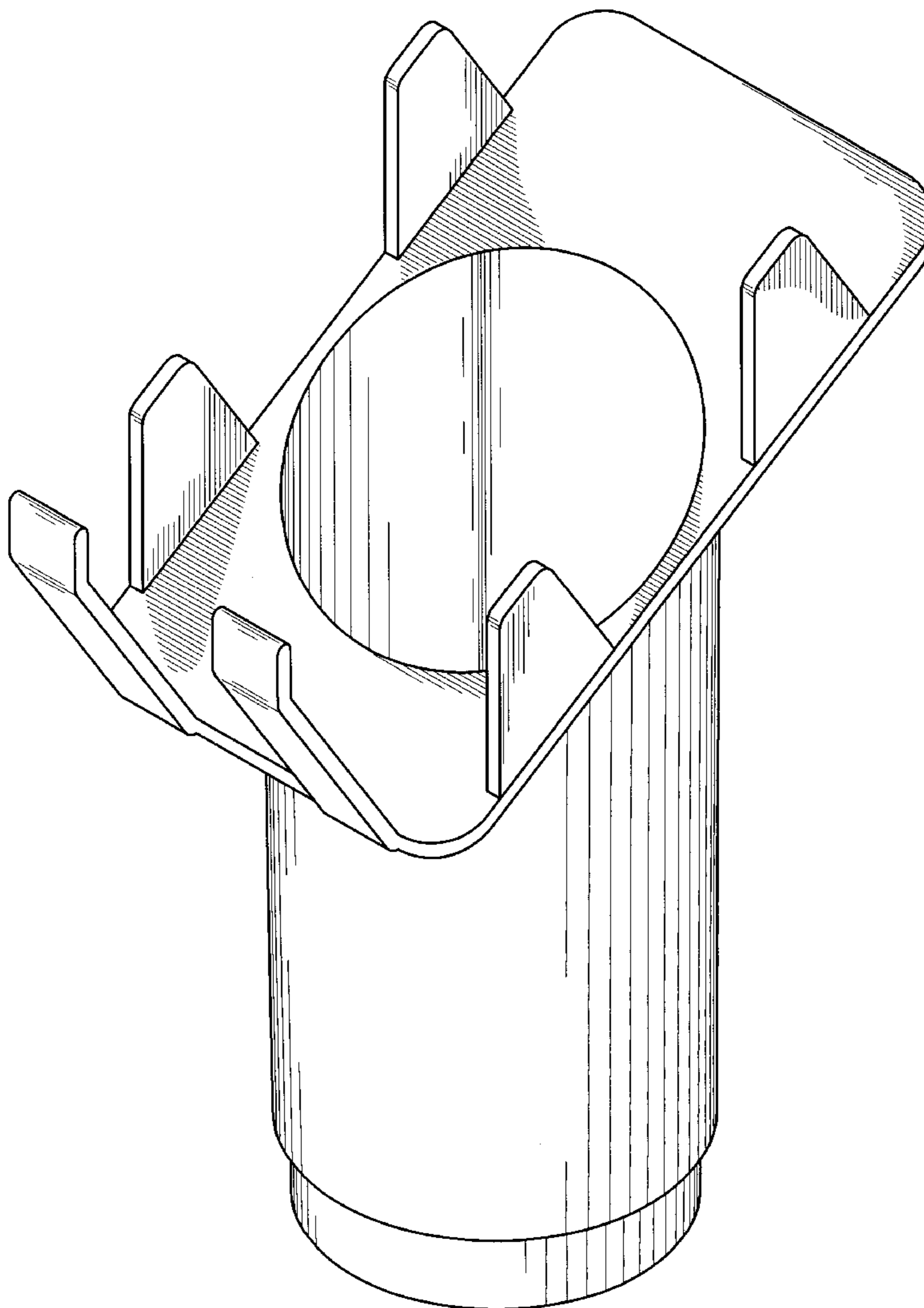
[57] **CLAIM**

The ornamental design for a phone holder, as shown and described.

DESCRIPTION

FIG. 1 is a perspective view thereof;
FIG. 2 is a front elevation thereof;
FIG. 3 is a rear elevation thereof;
FIG. 4 is a right side elevational view thereof; the left side elevation is a mirror image thereof;
FIG. 5 is a top plan view thereof; and,
FIG. 6 is a bottom plan view thereof.

1 Claim, 4 Drawing Sheets



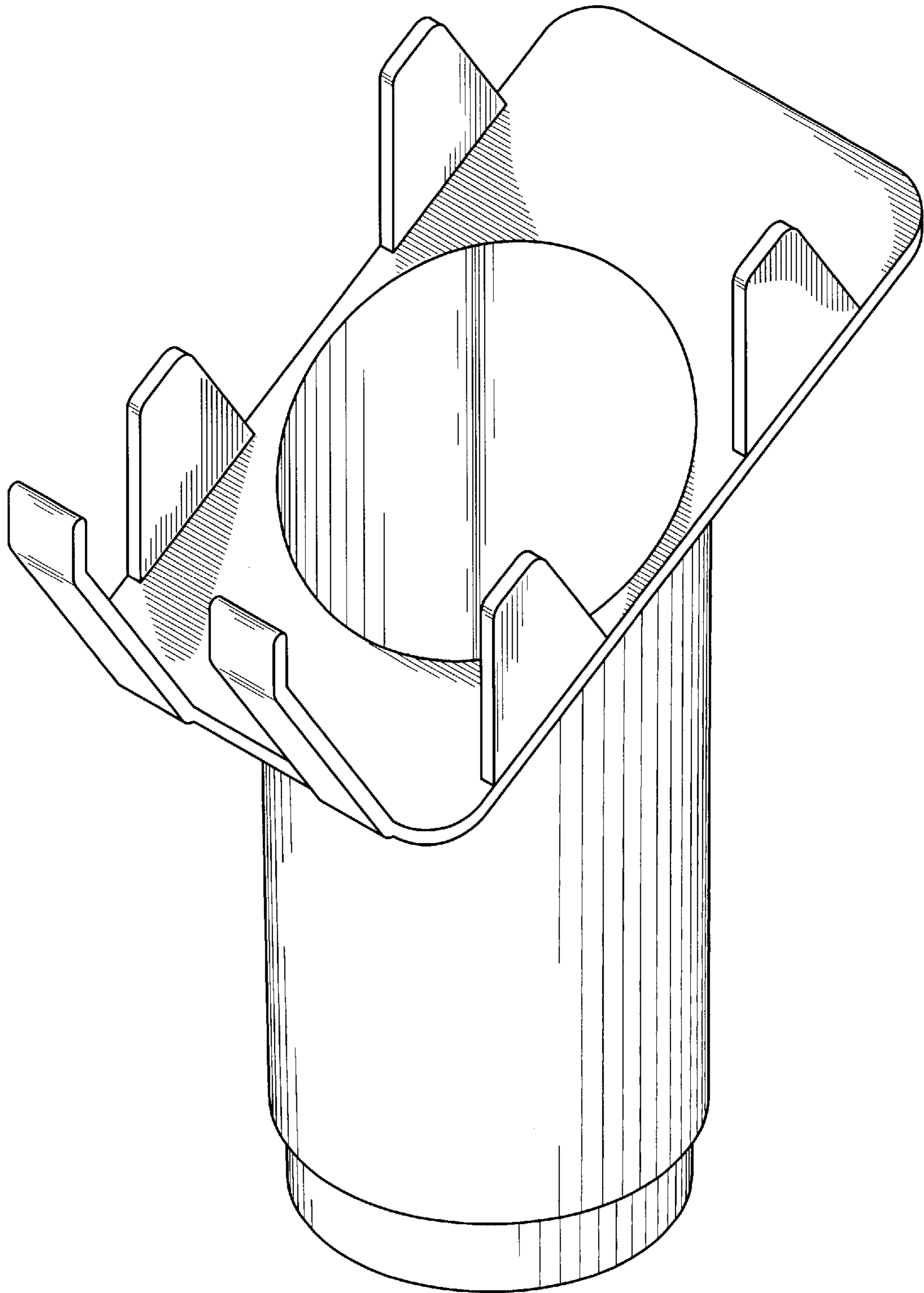


Fig. 1

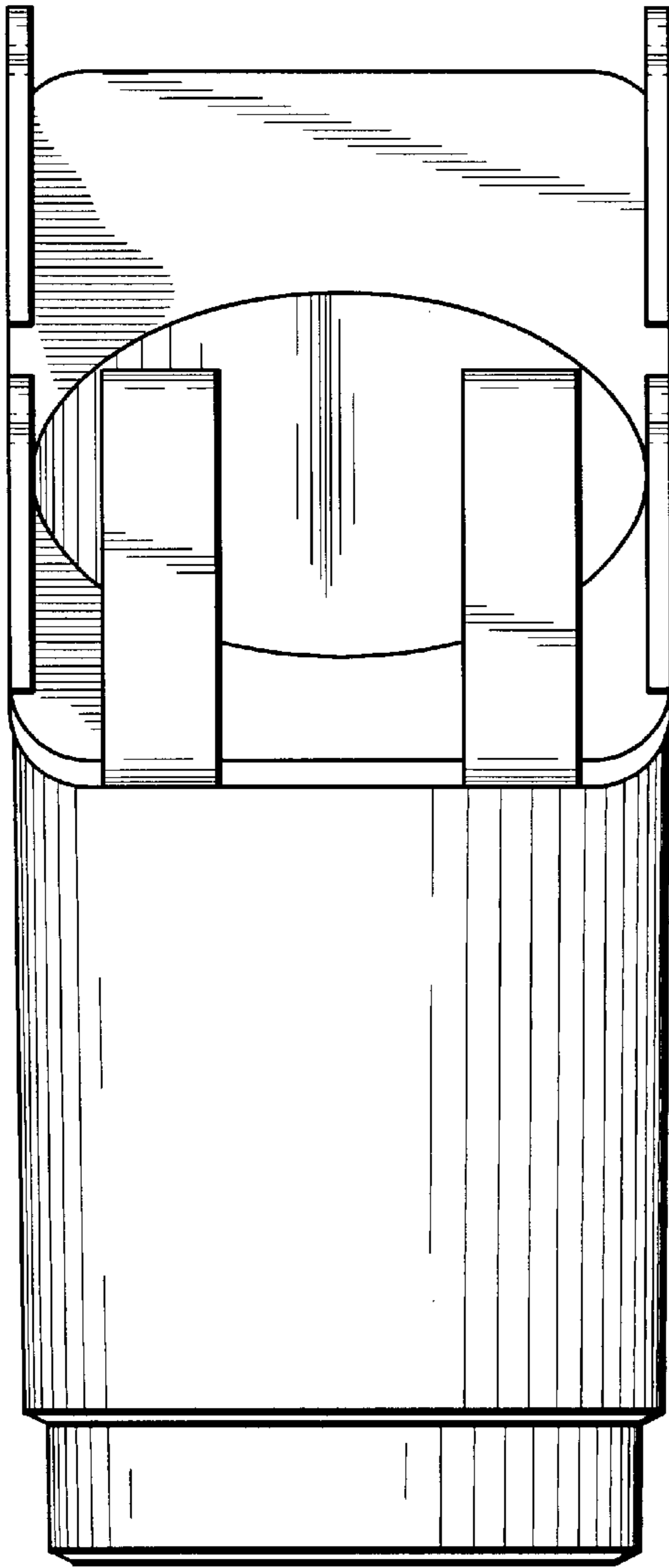


Fig. 2

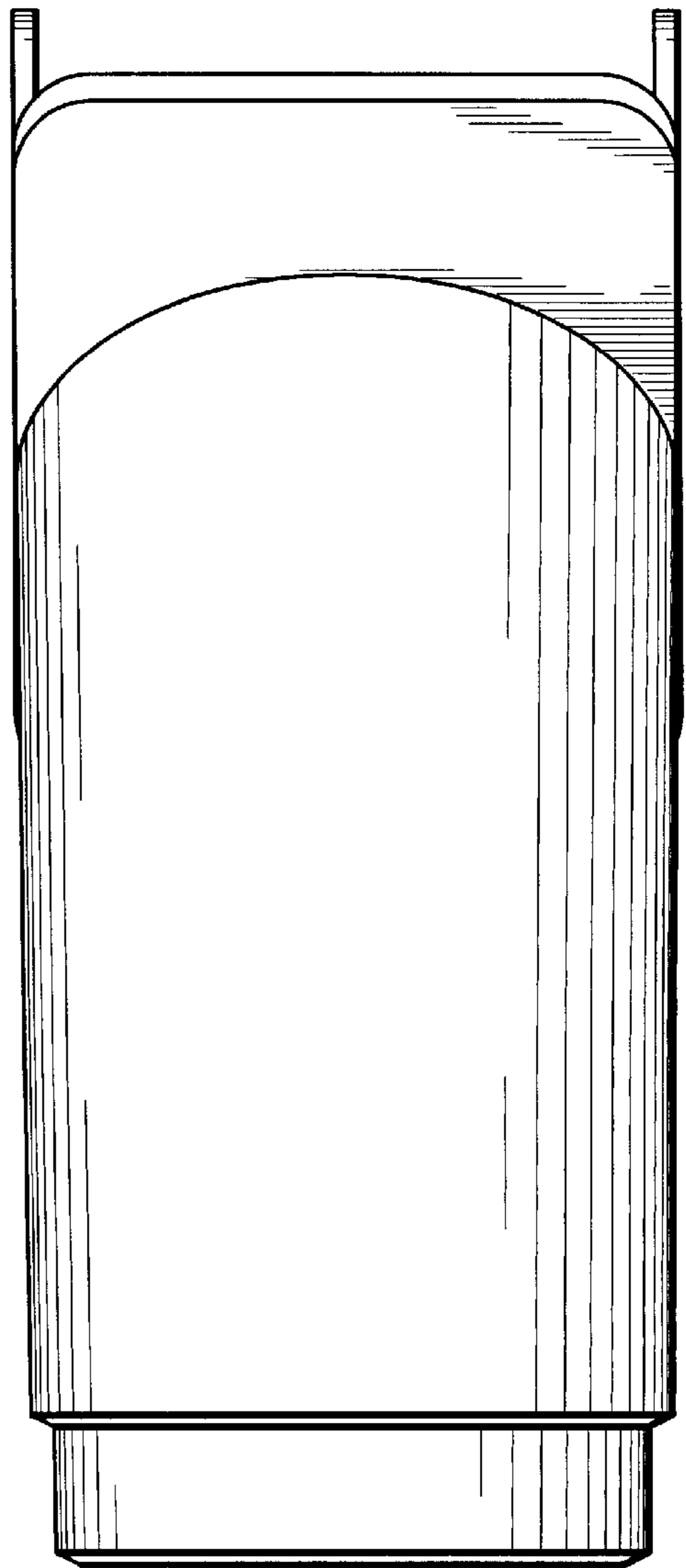


Fig. 3

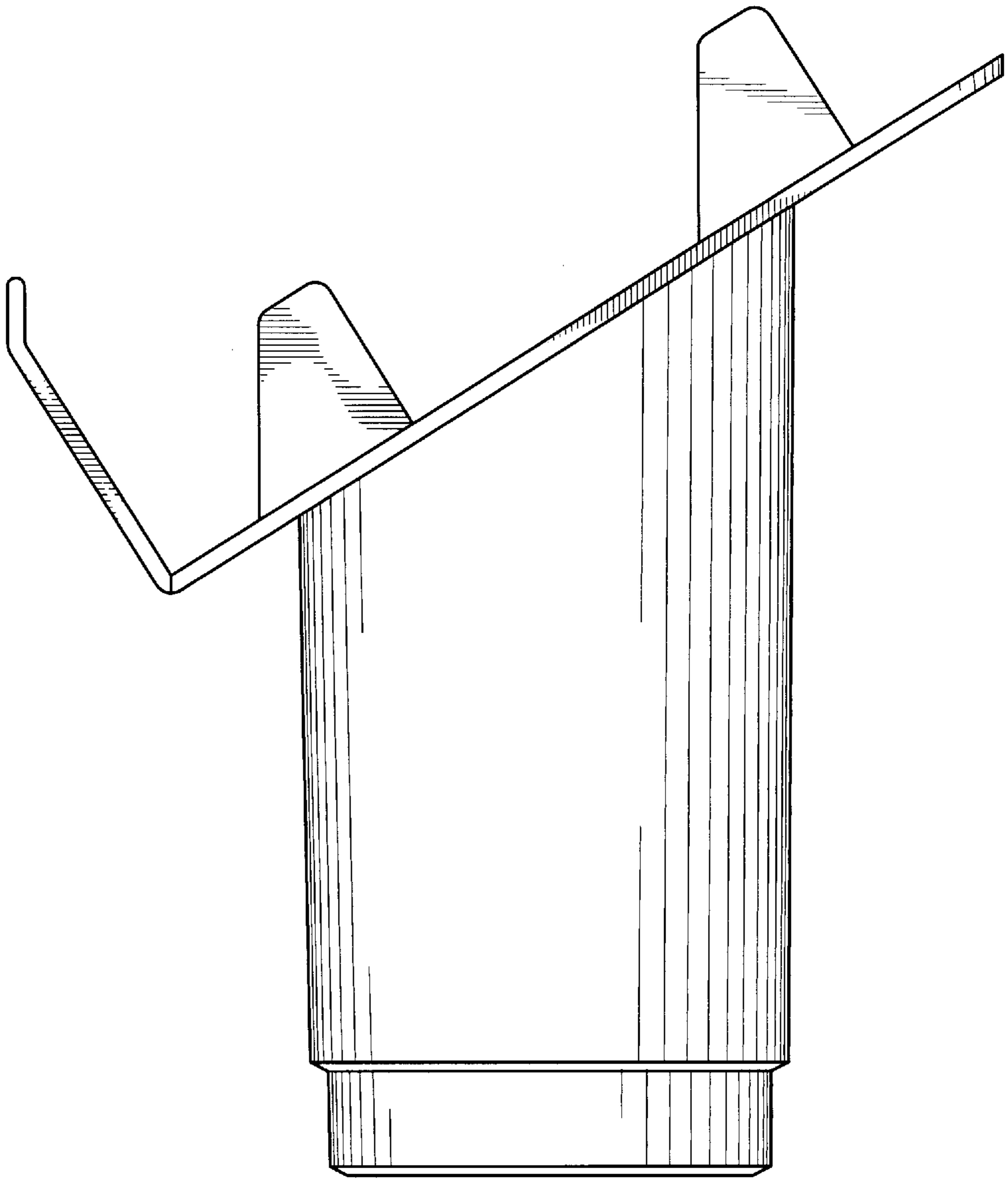


Fig. 4

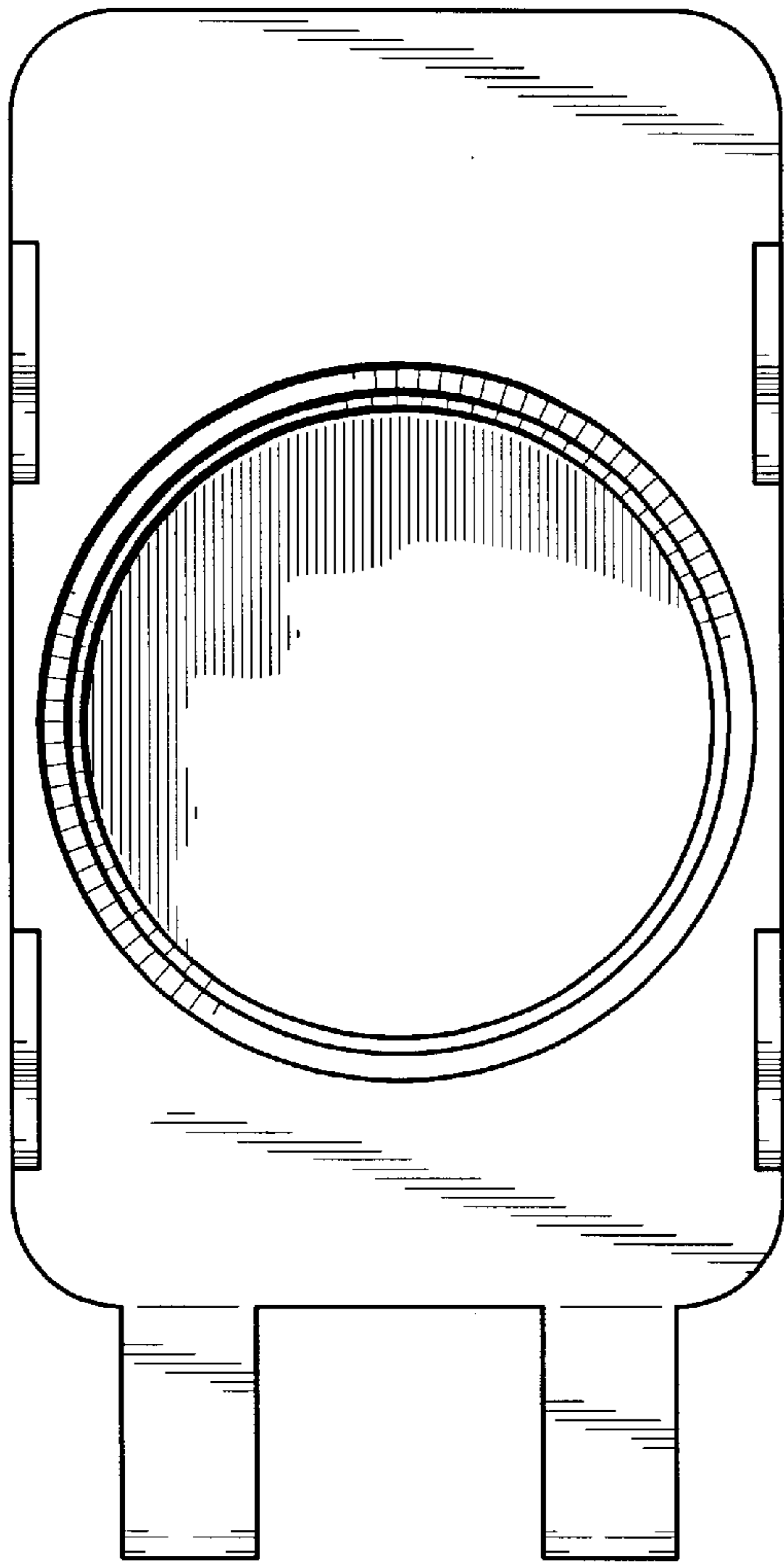


Fig. 5

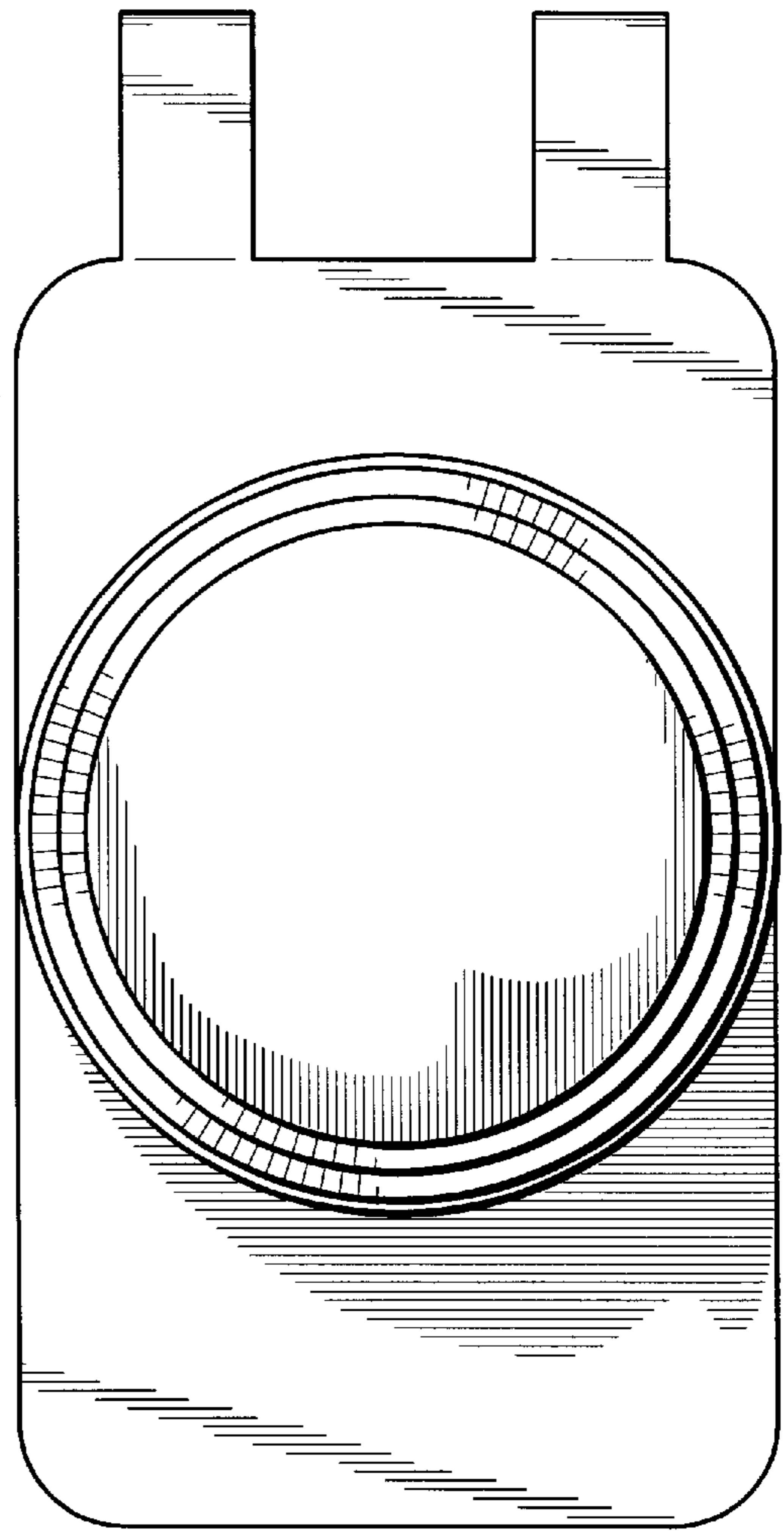


Fig. 6