



US00D407402S

# United States Patent [19]

Shimatsu et al.

[11] Patent Number: Des. 407,402

[45] Date of Patent: \*\*Mar. 30, 1999

[54] **PORTABLE VOICE RECORDER**

[75] Inventors: **Scott T. Shimatsu**, Alhambra; **Cleve A. Graham**, Simi Valley, both of Calif.

[73] Assignee: **Voice It Worldwide, Inc.**, Fort Collins, Colo.

[\*\*] Term: **14 Years**

4,686,587 8/1987 Hipp et al. .  
 4,688,117 8/1987 Dwyer et al. .  
 5,008,942 4/1991 Kikuchi .  
 5,045,327 9/1991 Tarlow et al. .  
 5,056,145 10/1991 Yamamoto et al. .  
 5,217,379 6/1993 Kirschenbaum et al. .

*Primary Examiner*—Ted Shooman  
*Assistant Examiner*—Nanda Bondade  
*Attorney, Agent, or Firm*—Merchant, Gould, Smith, Edell, Welter & Schmidt, P.A.

[21] Appl. No.: **75,014**

[22] Filed: **Aug. 11, 1997**

[51] **LOC (6) Cl.** ..... **14-01**

[52] **U.S. Cl.** ..... **D14/167**

[58] **Field of Search** ..... D14/137, 160-165,  
 D14/167, 168; 455/344, 347, 350, 351

[57] **CLAIM**

The ornamental design for the portable voice recorder, as shown and described.

[56] **References Cited**

U.S. PATENT DOCUMENTS

D. 318,666	7/1991	Mitsuse	.....	D14/165
D. 346,602	5/1994	Robertson	.....	D14/160 X
D. 371,554	7/1996	Shimatsu et al.	.....	D14/160
D. 374,871	10/1996	Taniguchi	.....	D14/160 X
4,199,724	4/1980	Kondo	.....	455/344
4,287,568	9/1981	Lester	.	
4,677,657	6/1987	Nagata et al.	.	

**DESCRIPTION**

FIG. 1 is a rear top and right perspective view of a portable voice recorder showing our new design;  
 FIG. 2 is a front elevation view;  
 FIG. 3 is a rear elevation view;  
 FIG. 4 is a left side elevation view;  
 FIG. 5 is a right side elevation view;  
 FIG. 6 is a top plan view; and,  
 FIG. 7 is a bottom plan view.

**1 Claim, 3 Drawing Sheets**

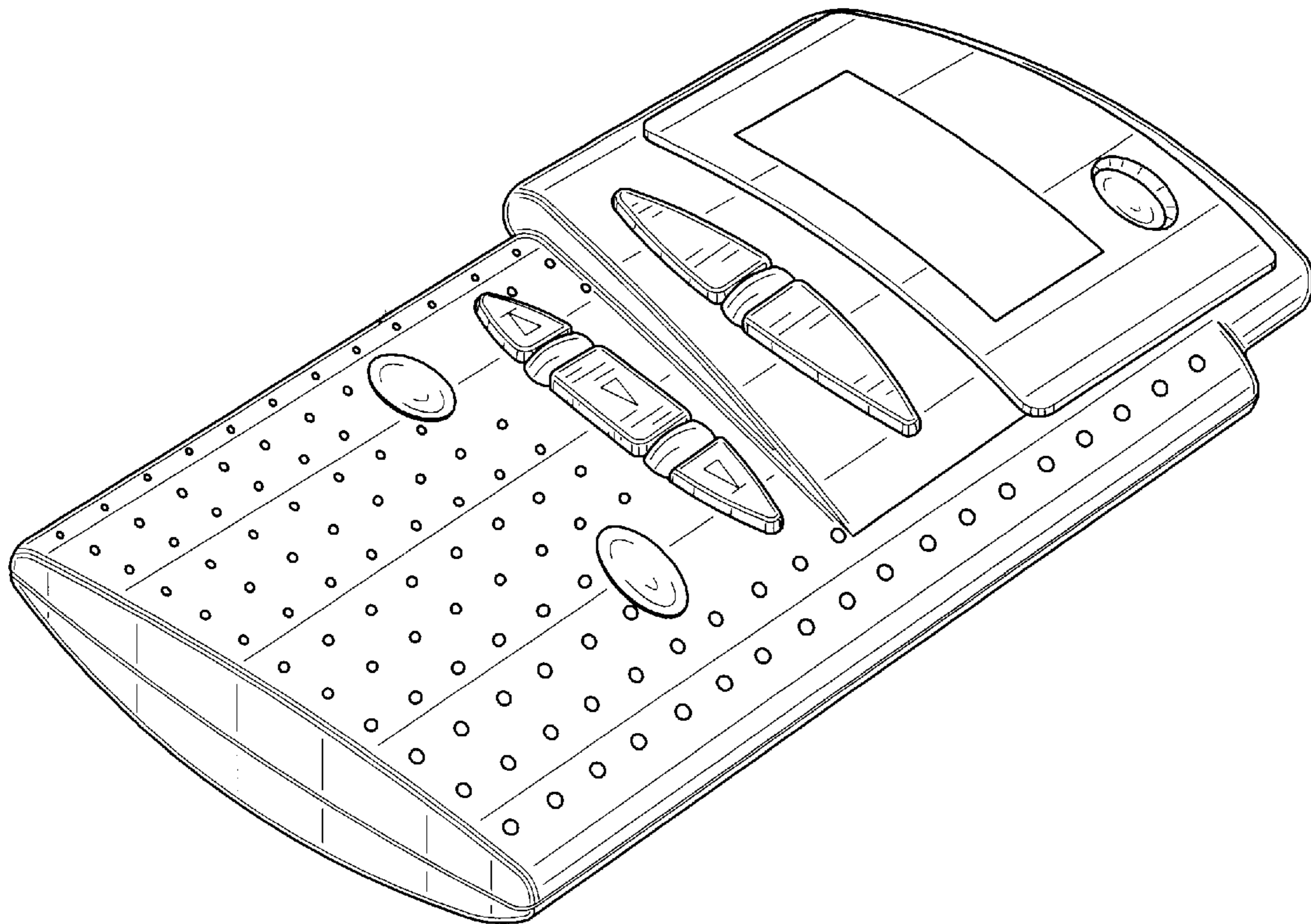


FIG. 1

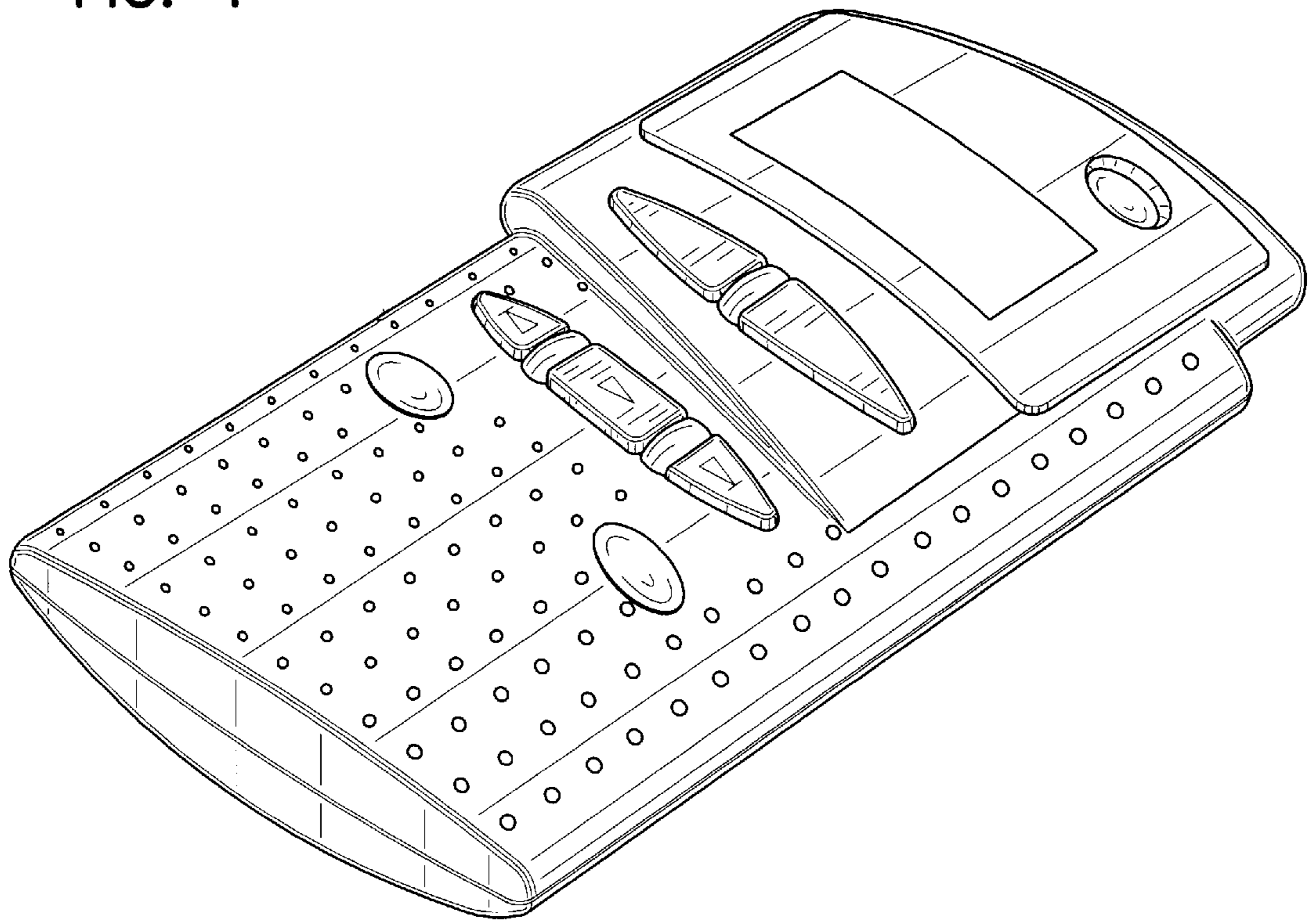


FIG. 2

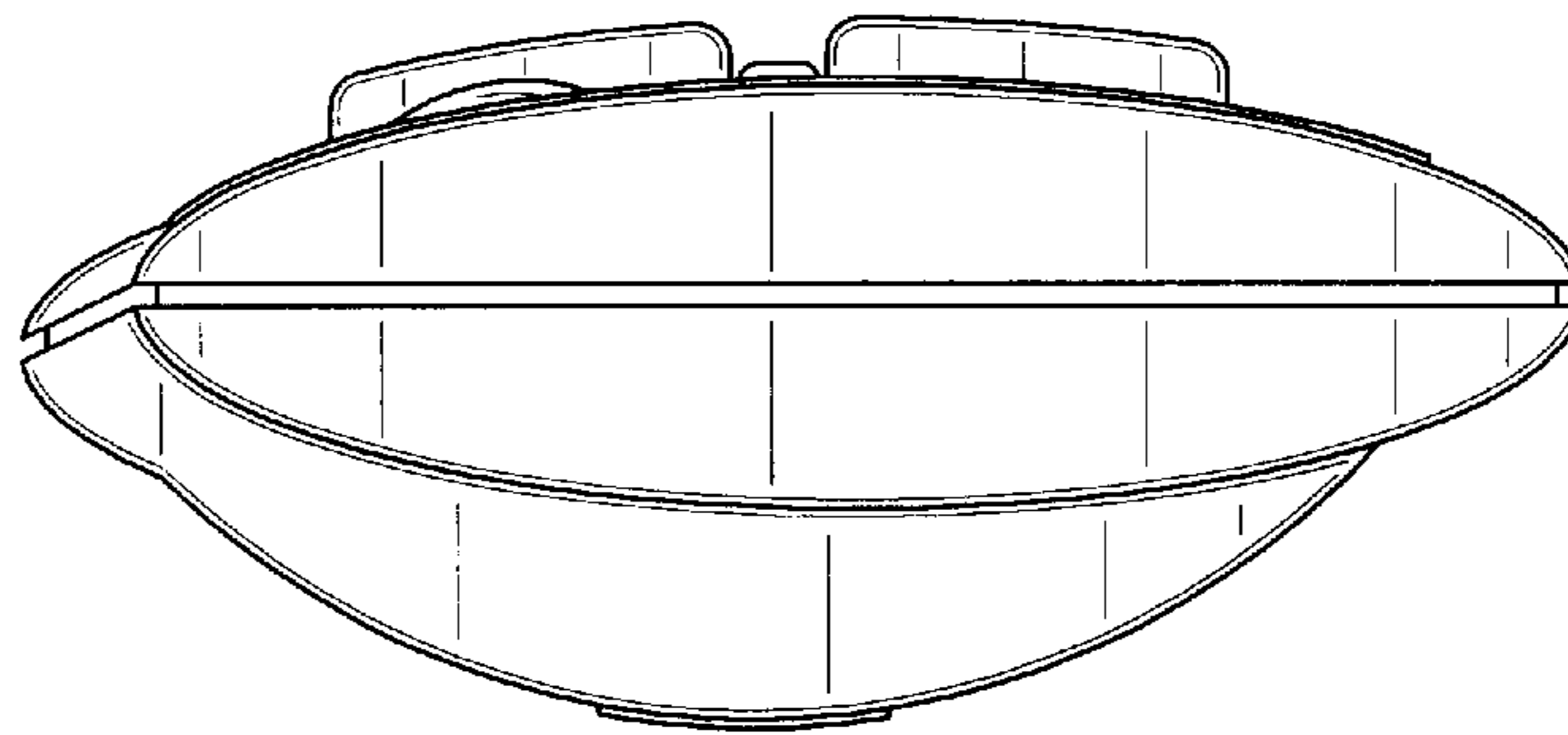
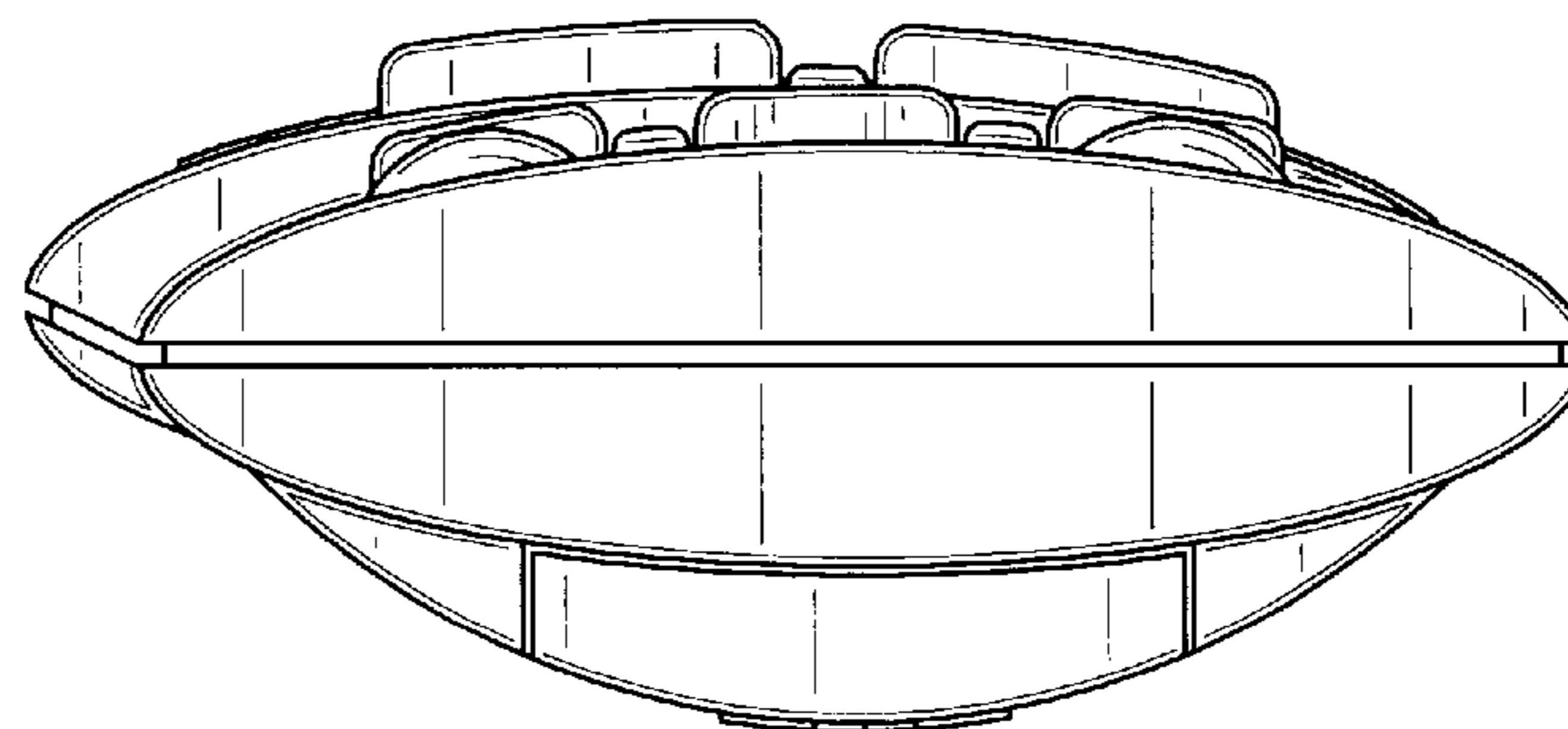


FIG. 3



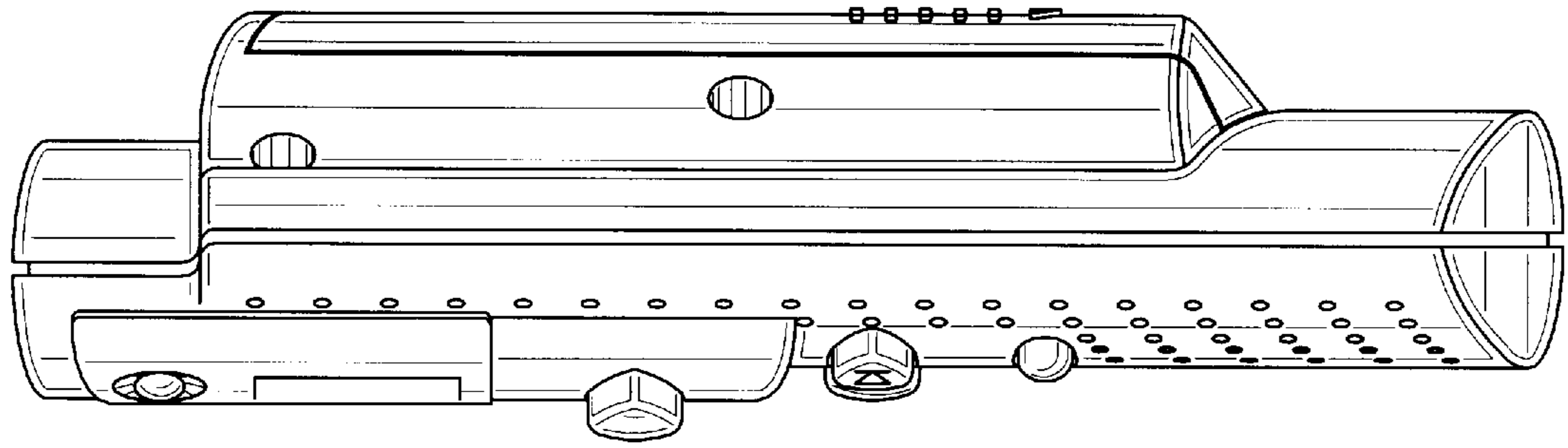


FIG. 5

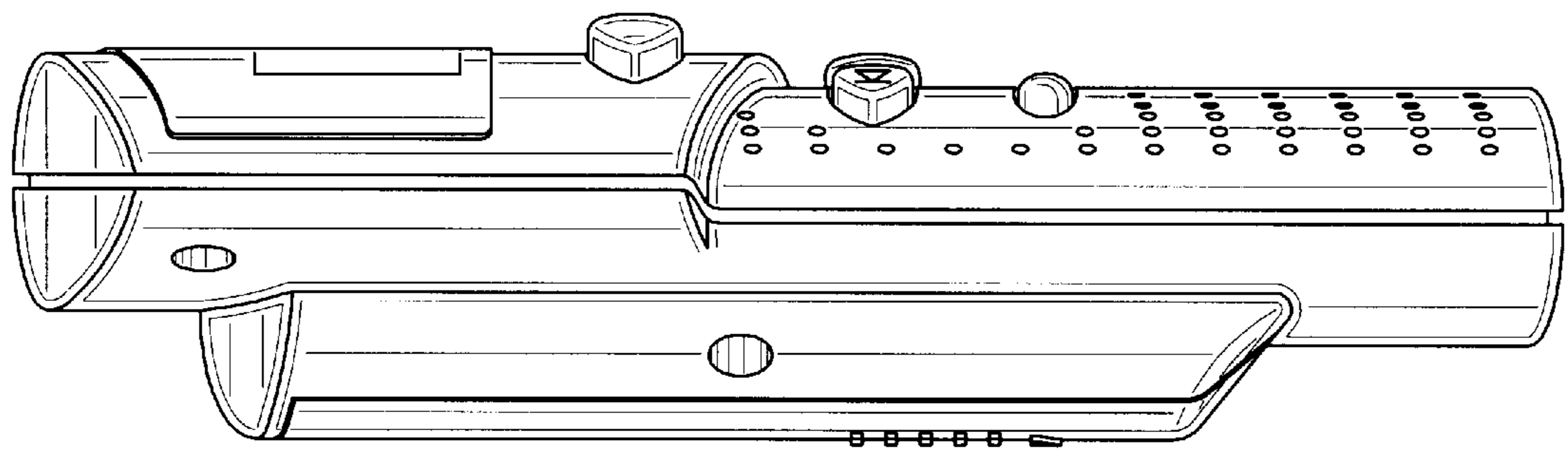


FIG. 4

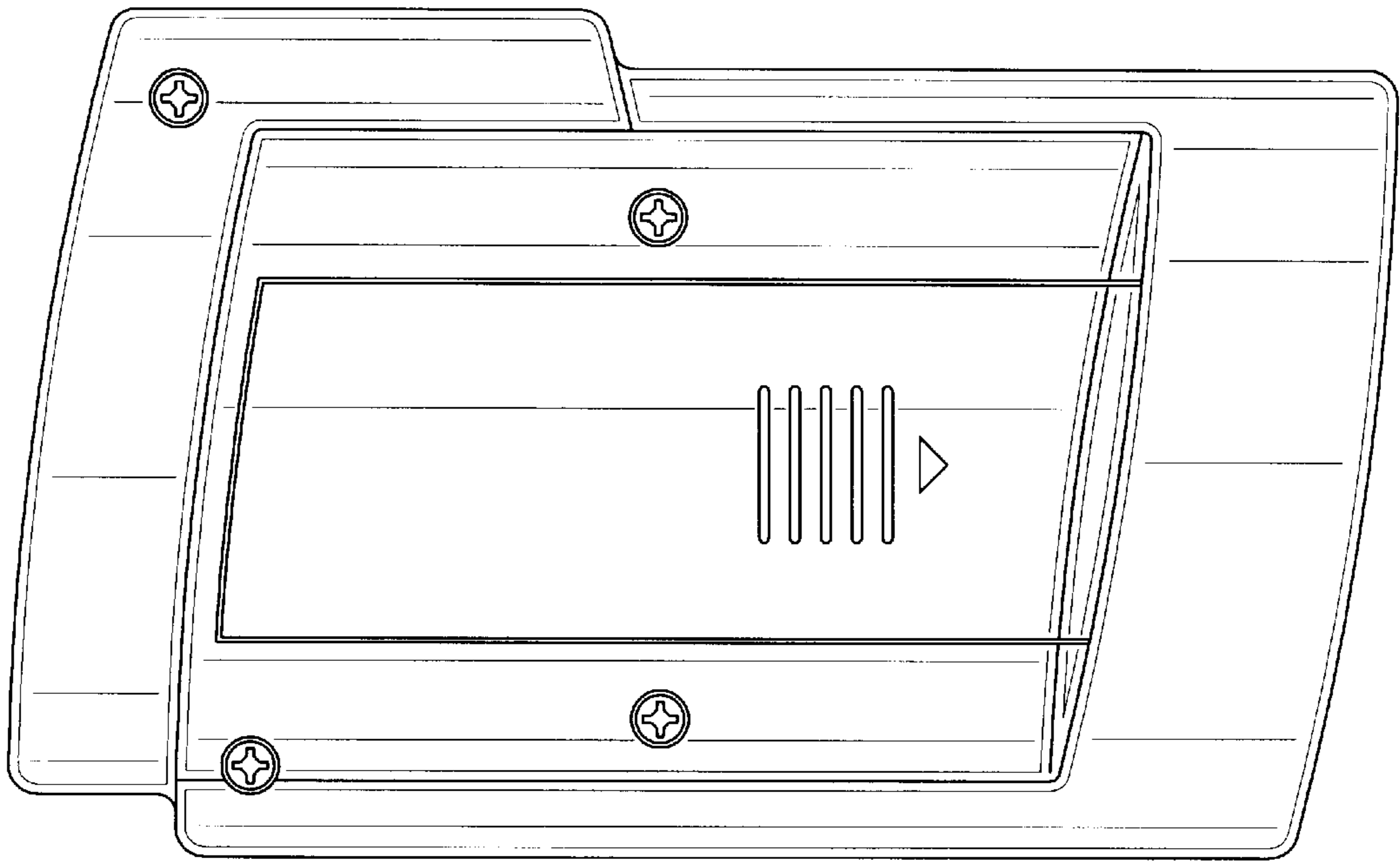


FIG. 7

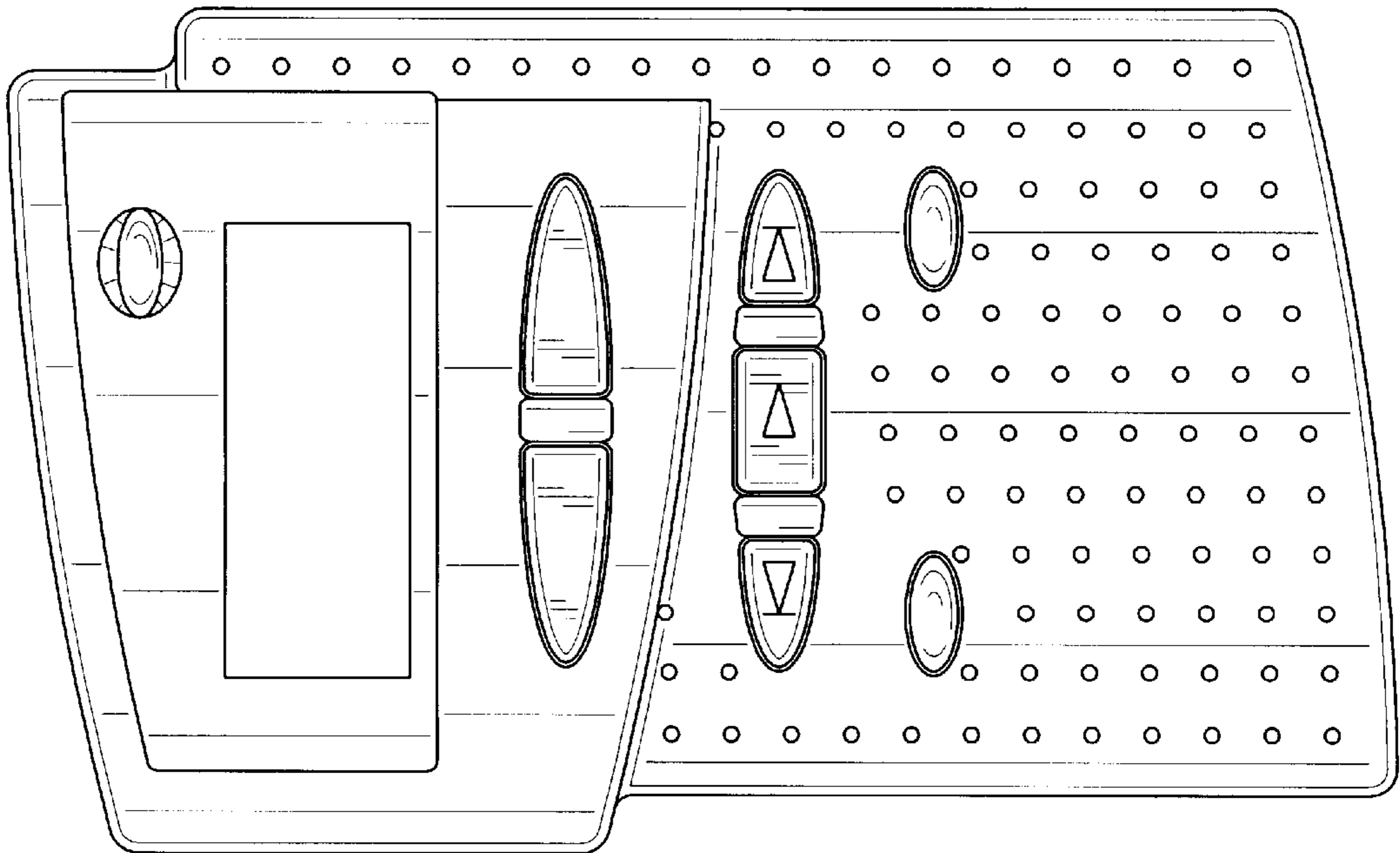


FIG. 6