



US00D407401S

United States Patent [19]
Niitsu

[11] **Patent Number: Des. 407,401**
[45] **Date of Patent: **Mar. 30, 1999**

[54] **DISC PLAYER**

[75] Inventor: **Takuya Niitsu**, Tokyo, Japan

[73] Assignee: **Sony Corporation**, Tokyo, Japan

[**] Term: **14 Years**

[21] Appl. No.: **84,889**

[22] Filed: **Mar. 12, 1998**

Related U.S. Application Data

[62] Division of Ser. No. 59,295, Sep. 6, 1996, Pat. No. Des. 394,655.

[51] **LOC (6) Cl.** **14-01**

[52] **U.S. Cl.** **D14/156; D14/136; D14/160**

[58] **Field of Search** D14/107, 109,
D14/124, 135, 136, 156, 160, 239, 299;
386/125, 126; 369/75.1, 77.1

[56] **References Cited**

U.S. PATENT DOCUMENTS

D. 338,198	8/1993	Ogasawara	D14/136
D. 344,509	2/1994	Ryu	D14/135
D. 344,941	3/1994	Ogawa et al.	D14/135
D. 372,711	8/1996	Hyougo	D14/135
D. 381,652	7/1997	Suzuki et al.	D14/136

Primary Examiner—Ted Shooman
Assistant Examiner—Richelle Shelton
Attorney, Agent, or Firm—Foley & Lardner

[57] **CLAIM**

The ornamental design for a disc player, as shown and described.

DESCRIPTION

FIG. 1 is a perspective view of a first embodiment of a disc player showing my new design;
FIG. 2 is a perspective view thereof in the open position, the disc tray and interior are shown for illustrative purposes only and form no part of the claimed design;
FIG. 3 is a top plan view thereof;
FIG. 4 is a left side elevational view thereof;
FIG. 5 is a front elevational view thereof;
FIG. 6 is a bottom plan view thereof;
FIG. 7 is a right side elevational view thereof;
FIG. 8 is a rear elevational view thereof;
FIG. 9 is a perspective view of a second embodiment of a disc player showing my new design;
FIG. 10 is a perspective view of the embodiment of FIG. 9, showing the disc player in the open position, the disc tray and interior are shown for illustrative purposes only and form no part of the claimed design;
FIG. 11 is a top plan view of the embodiment of FIG. 9;
FIG. 12 is a left side elevational view of the embodiment of FIG. 9;
FIG. 13 is a front elevational view of the embodiment of FIG. 9;
FIG. 14 is a bottom plan view of the embodiment of FIG. 9;
FIG. 15 is a right side elevational view of the embodiment of FIG. 9; and,
FIG. 16 is a rear elevational view of the embodiment of FIG. 9.

1 Claim, 8 Drawing Sheets

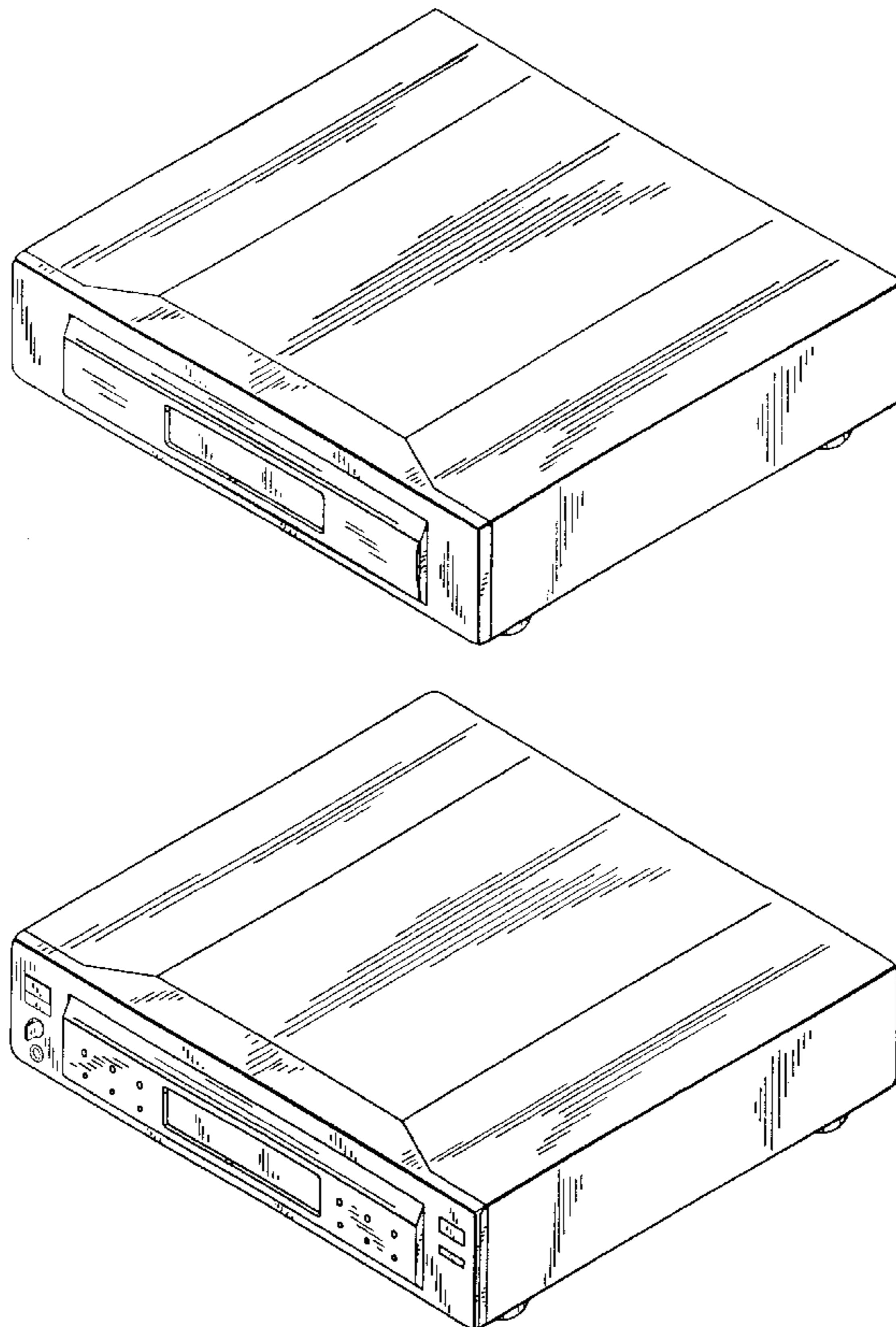


FIG. 1

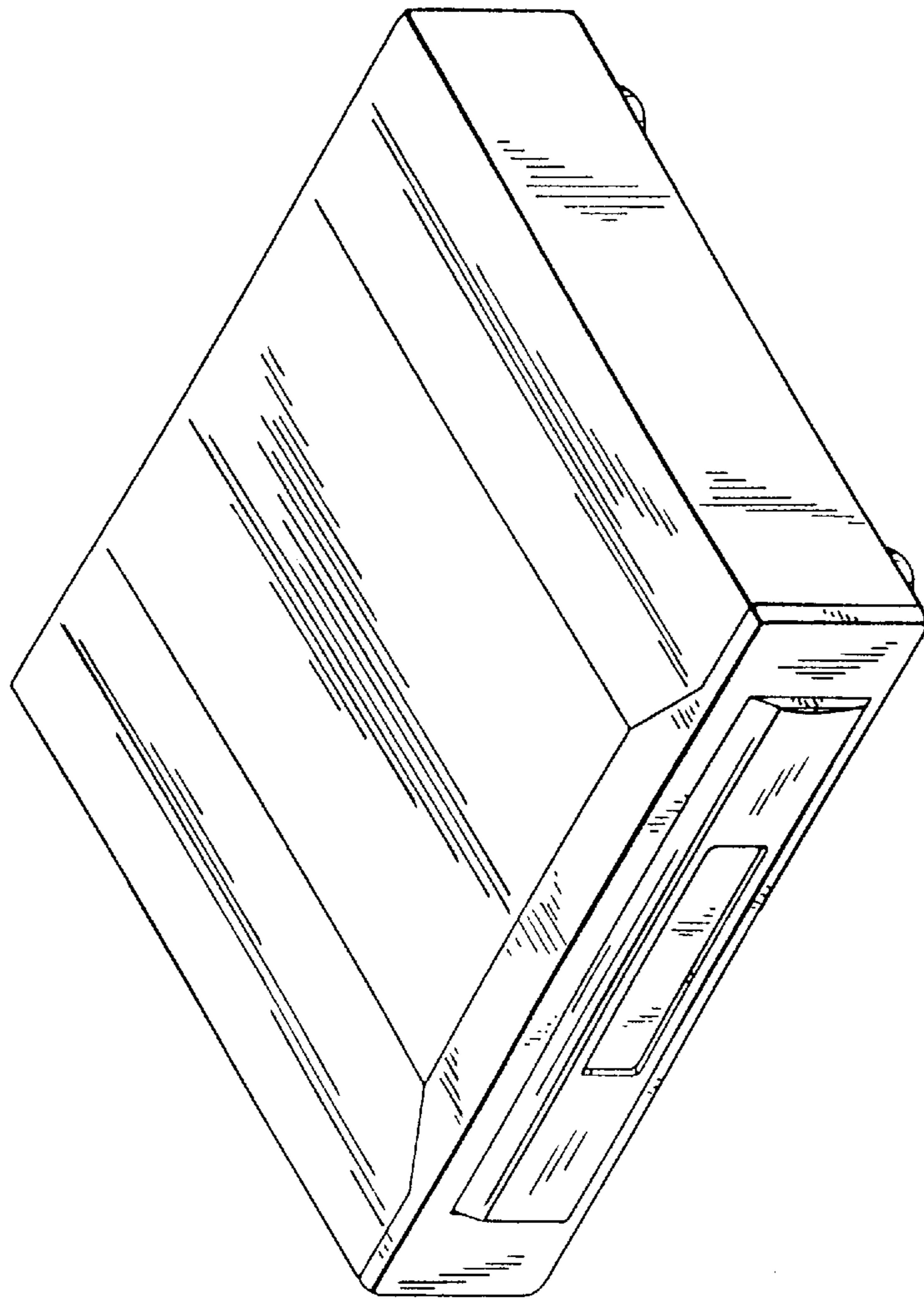


FIG. 2

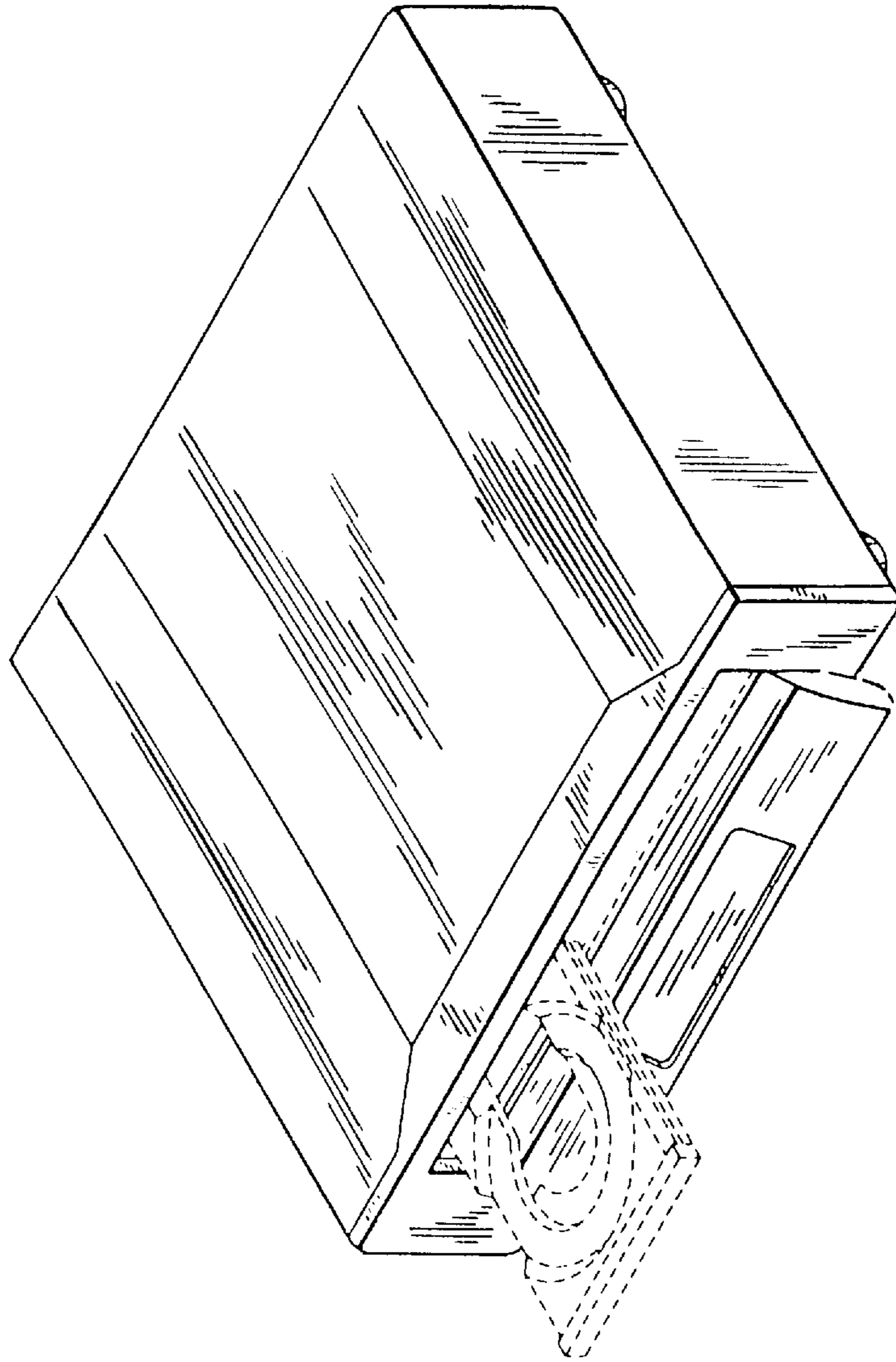


FIG. 3

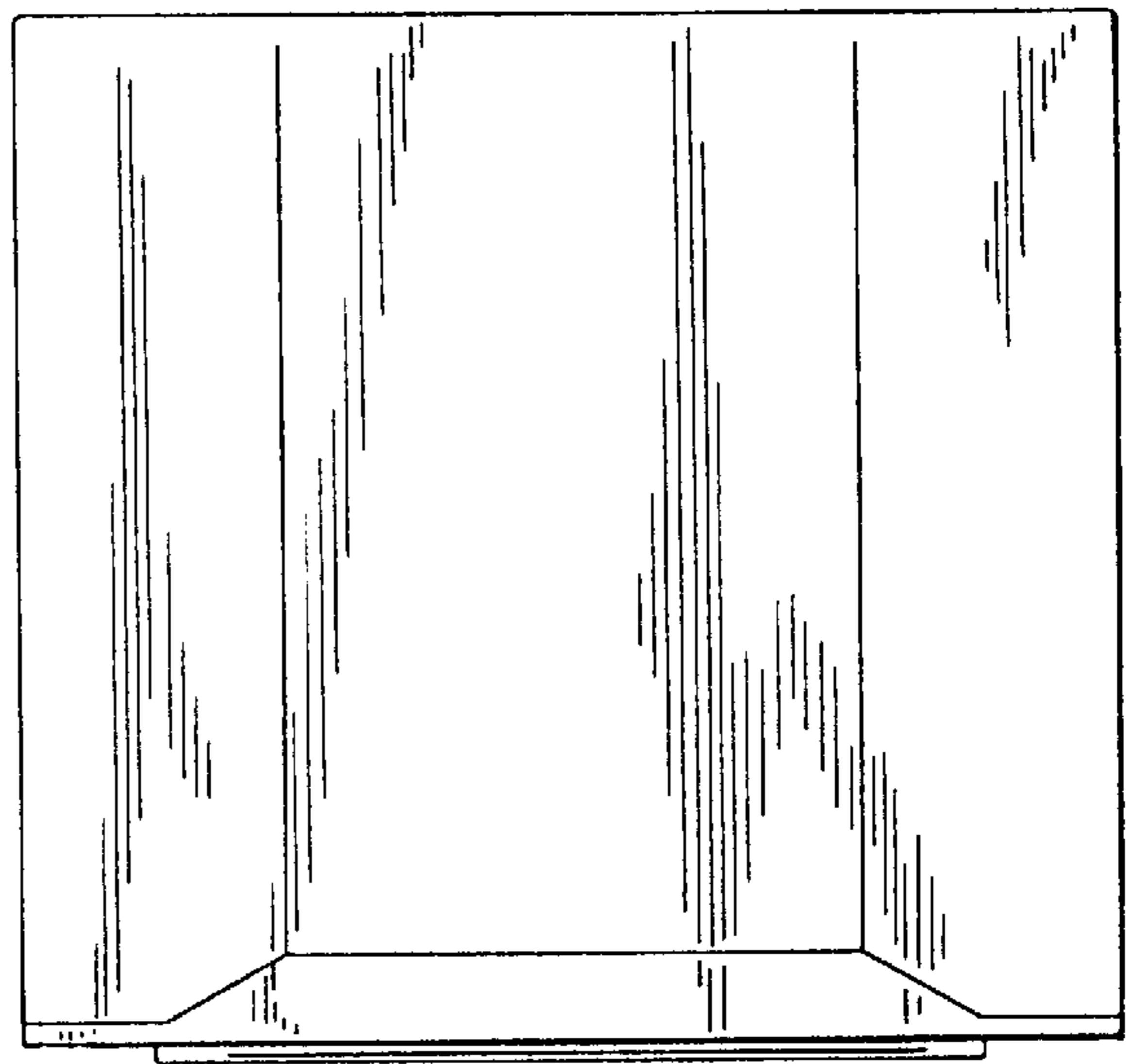


FIG. 4

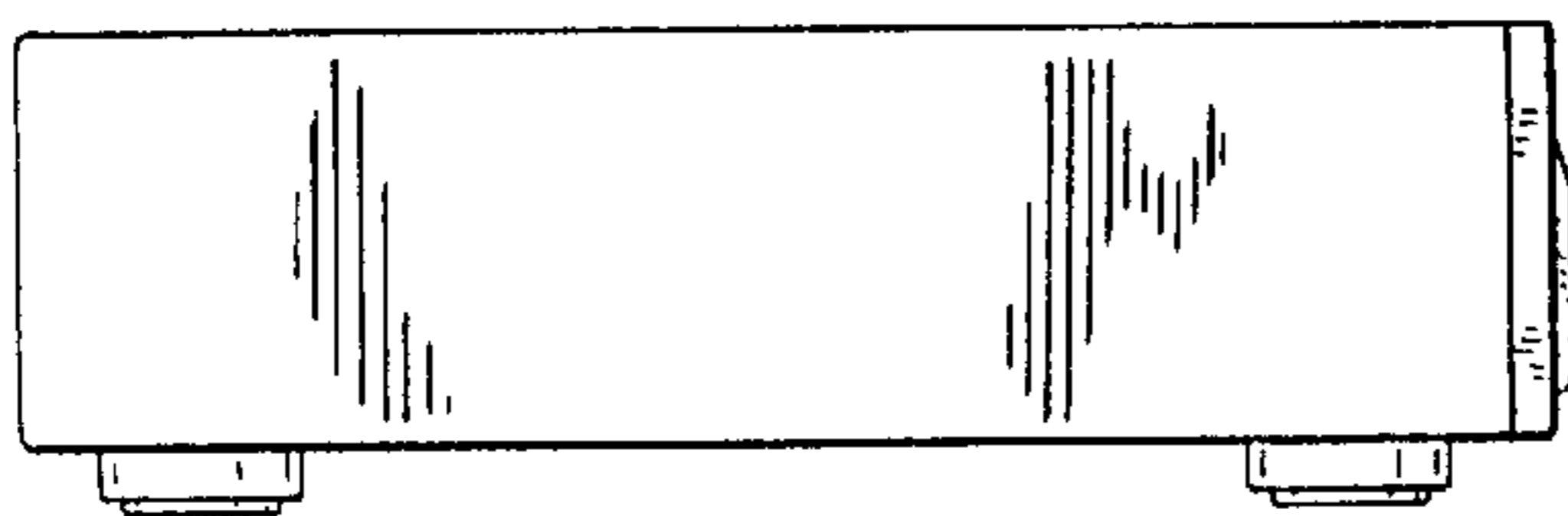


FIG. 5

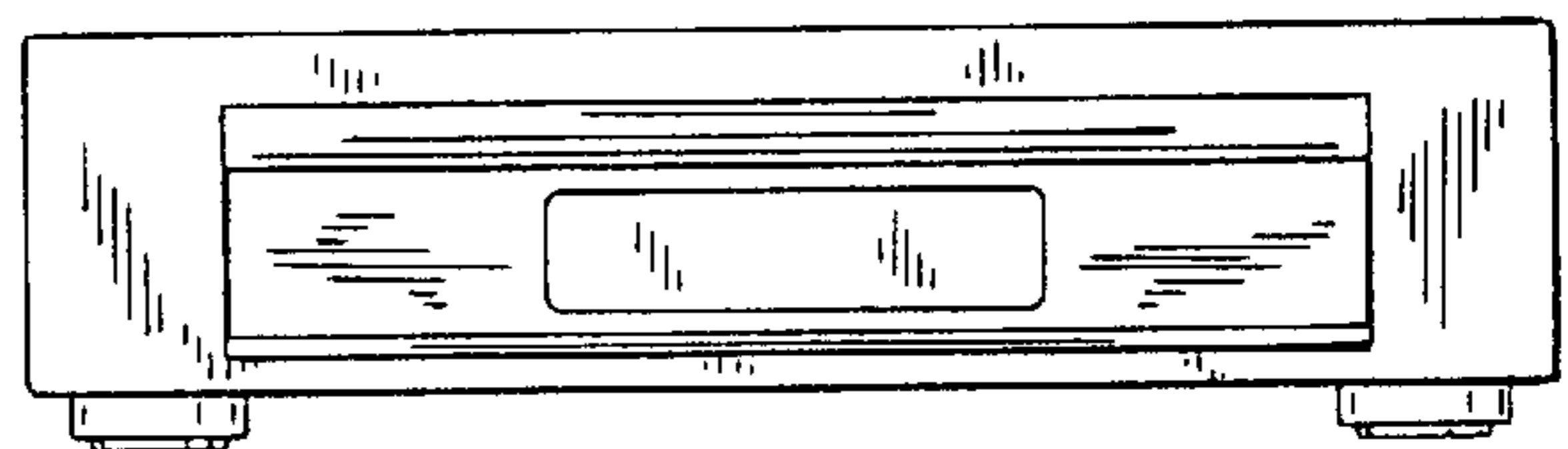


FIG. 6

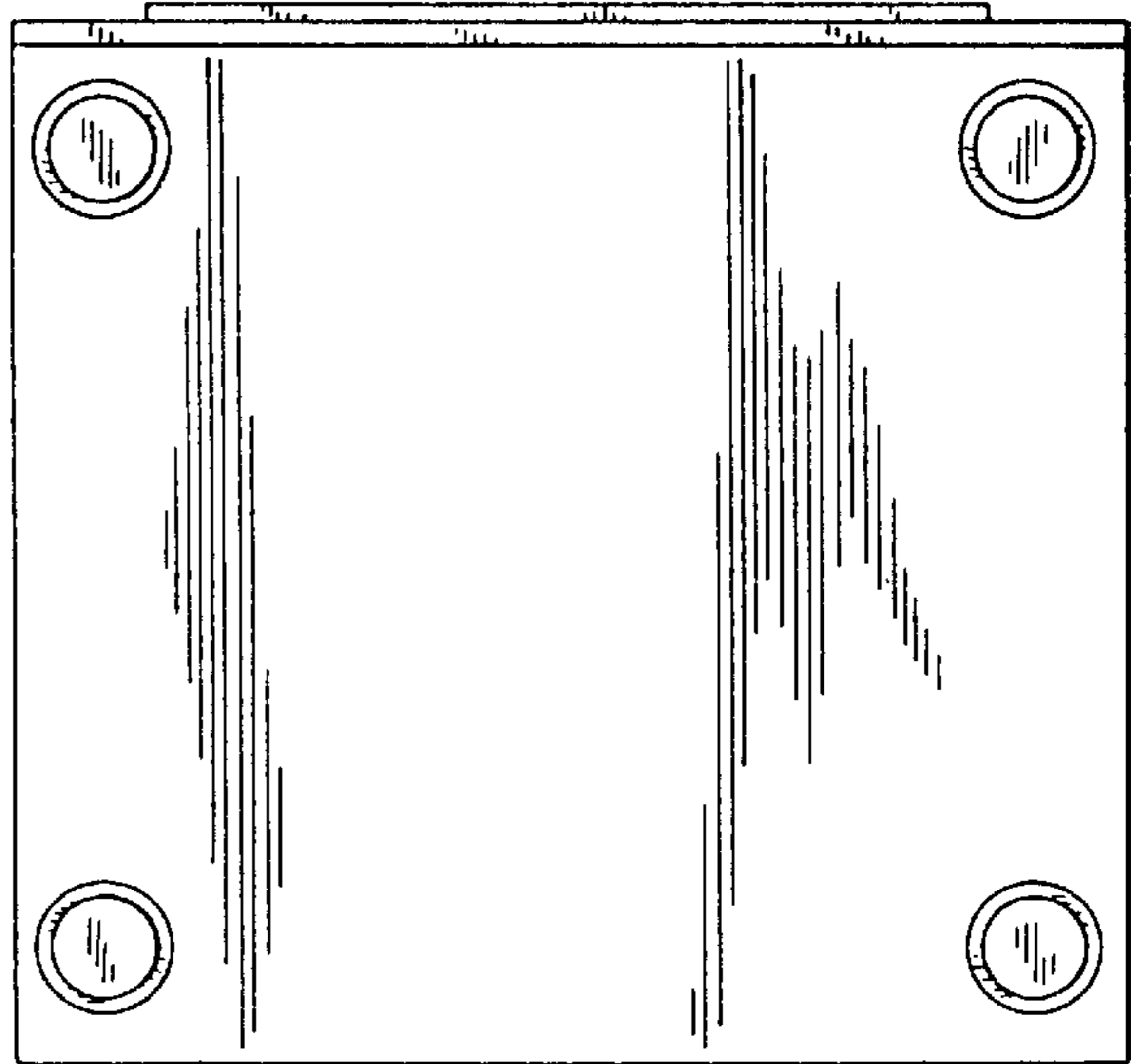


FIG. 7

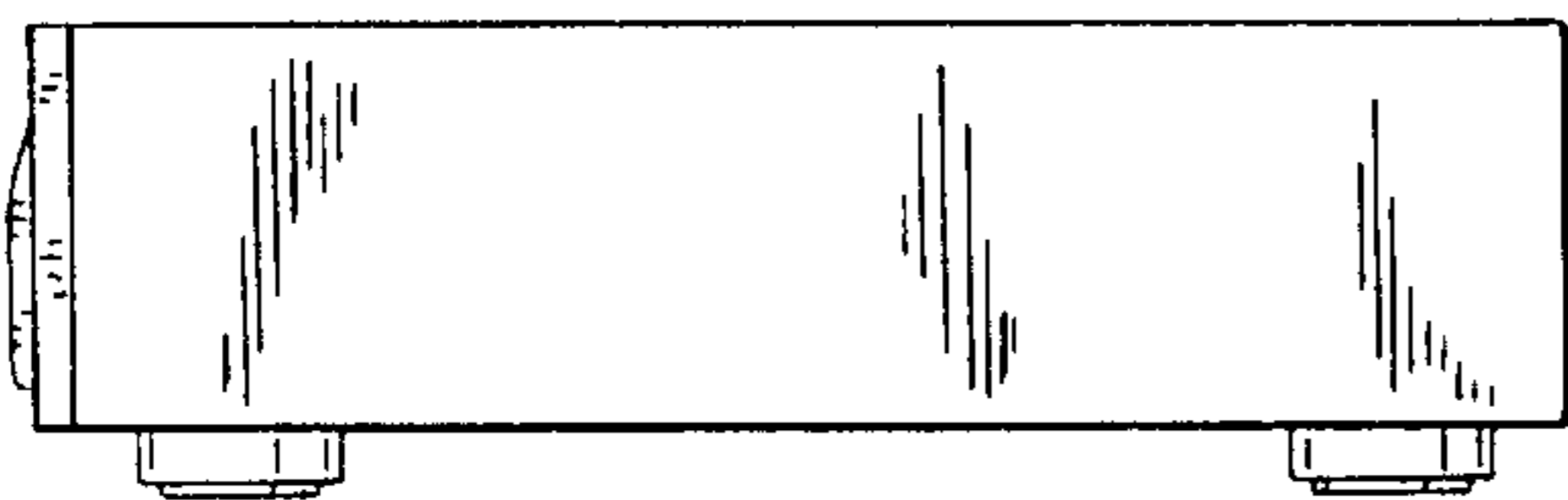


FIG. 8

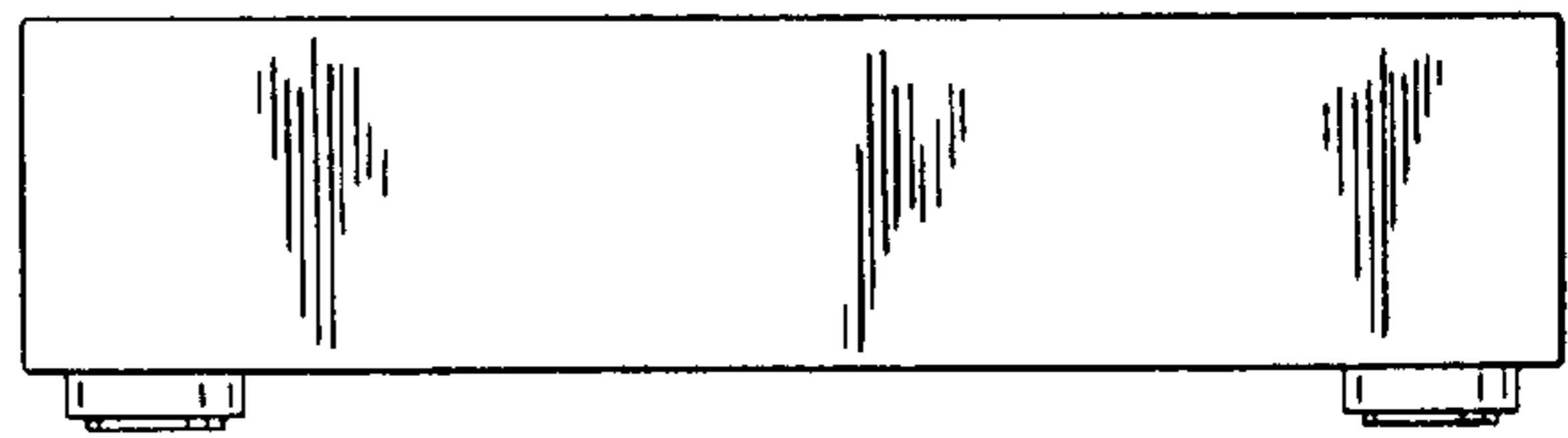


FIG. 9

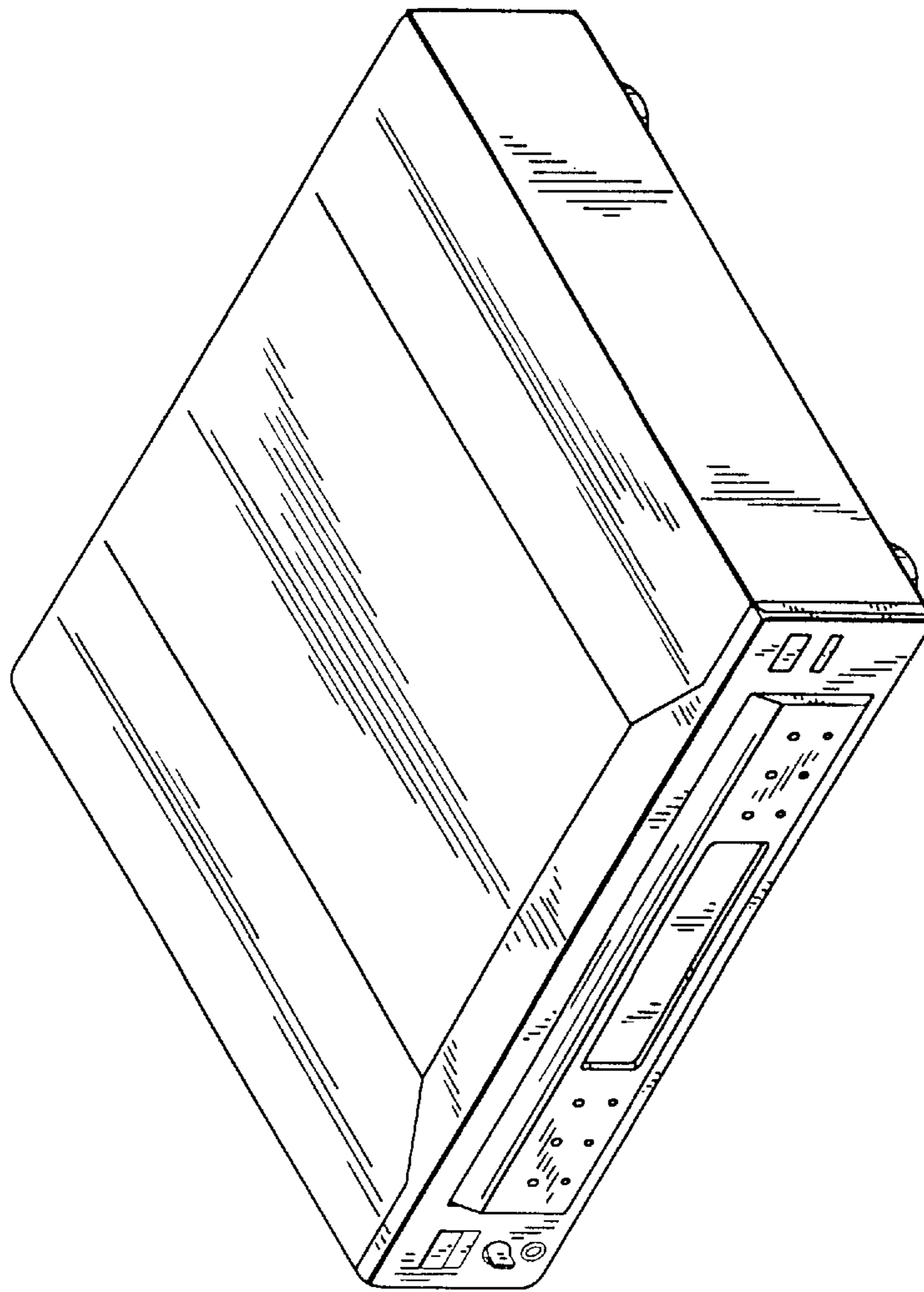


FIG. 10

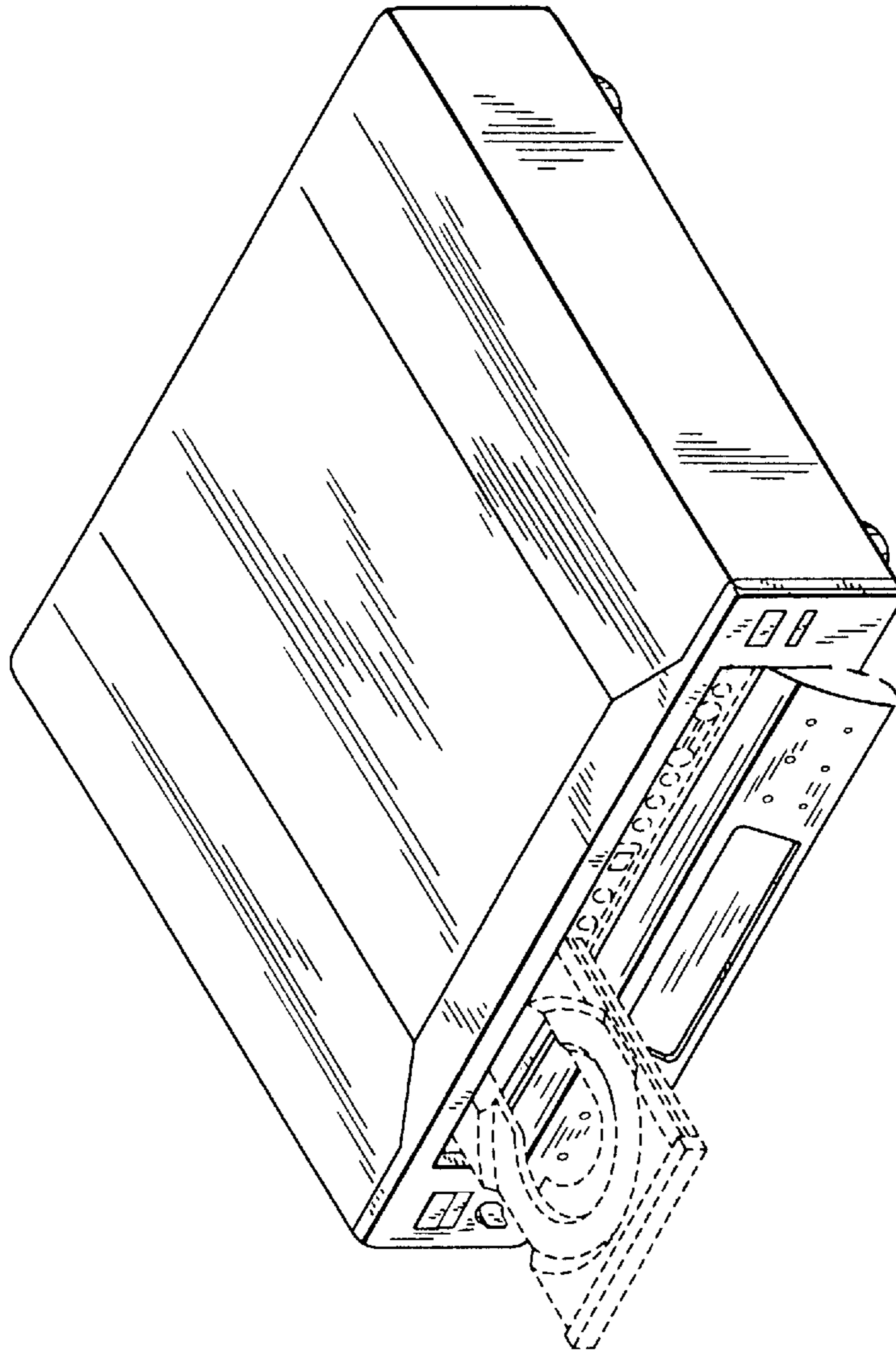


FIG. 11

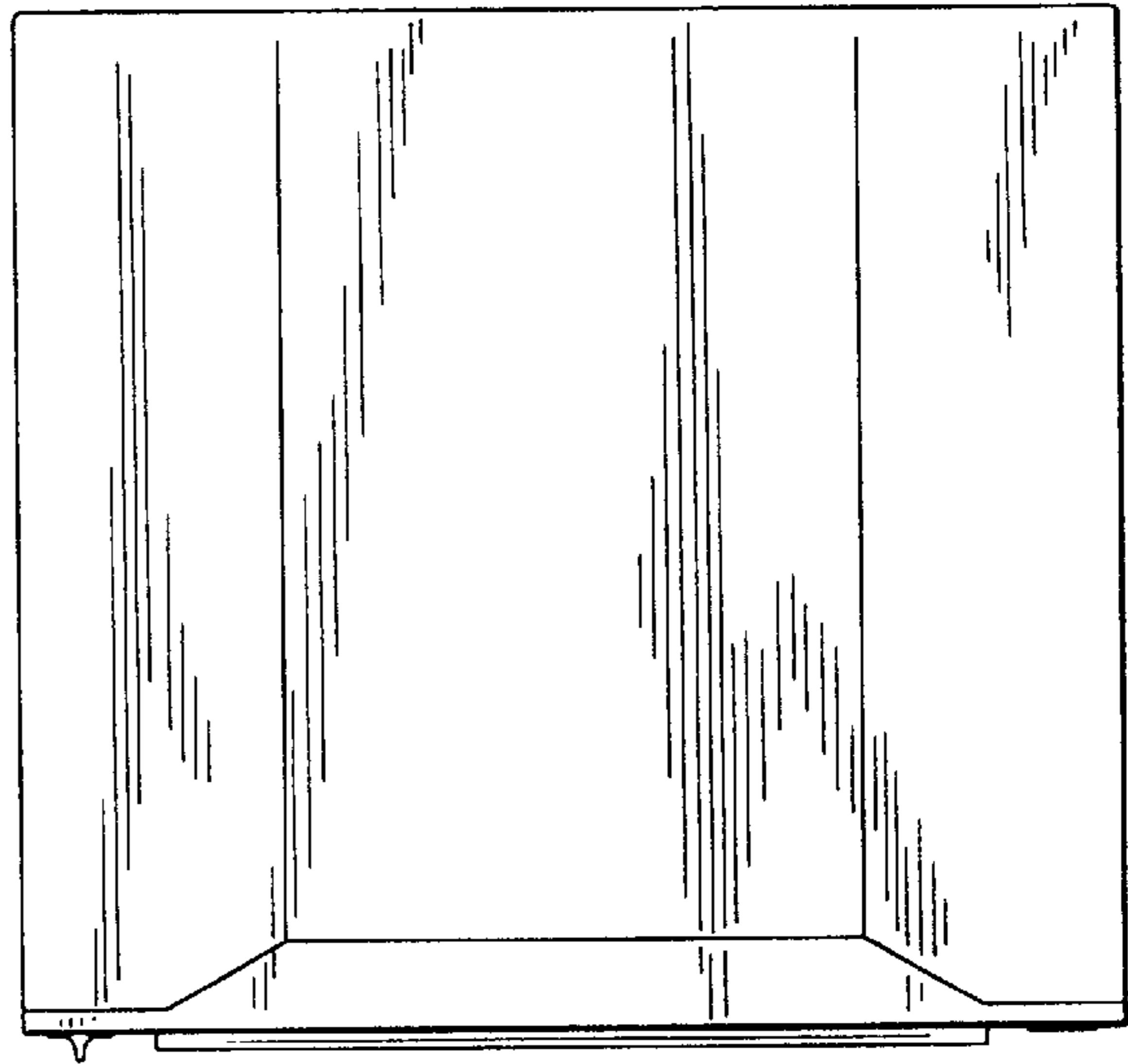


FIG. 12

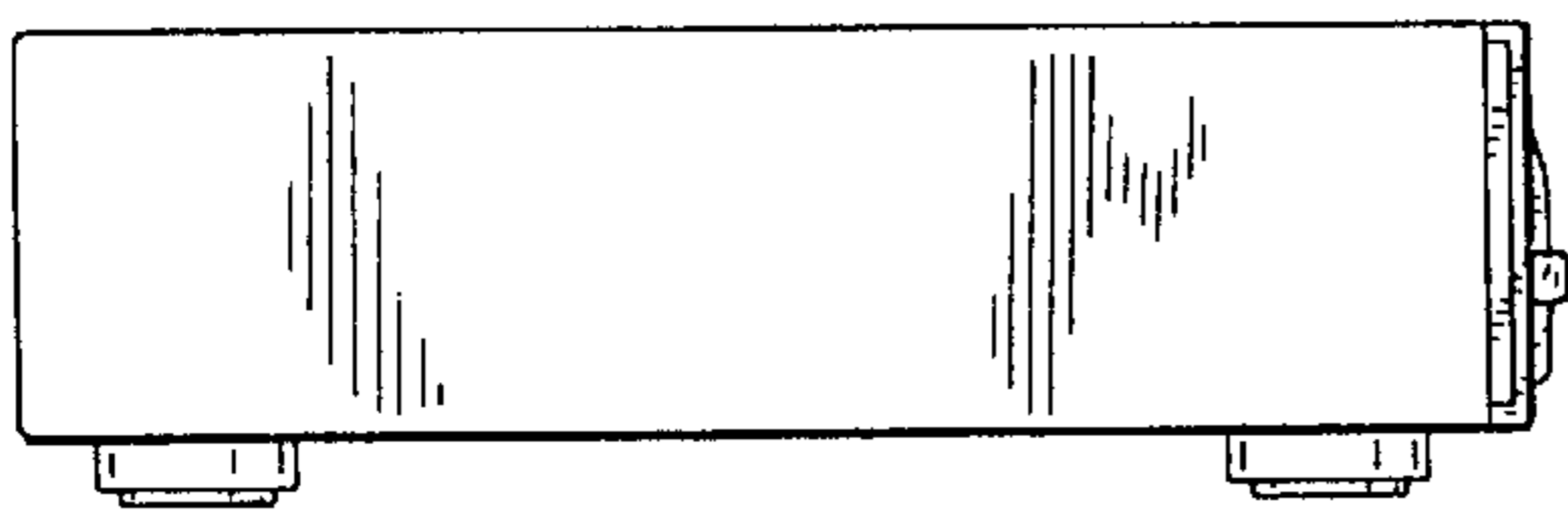


FIG. 13

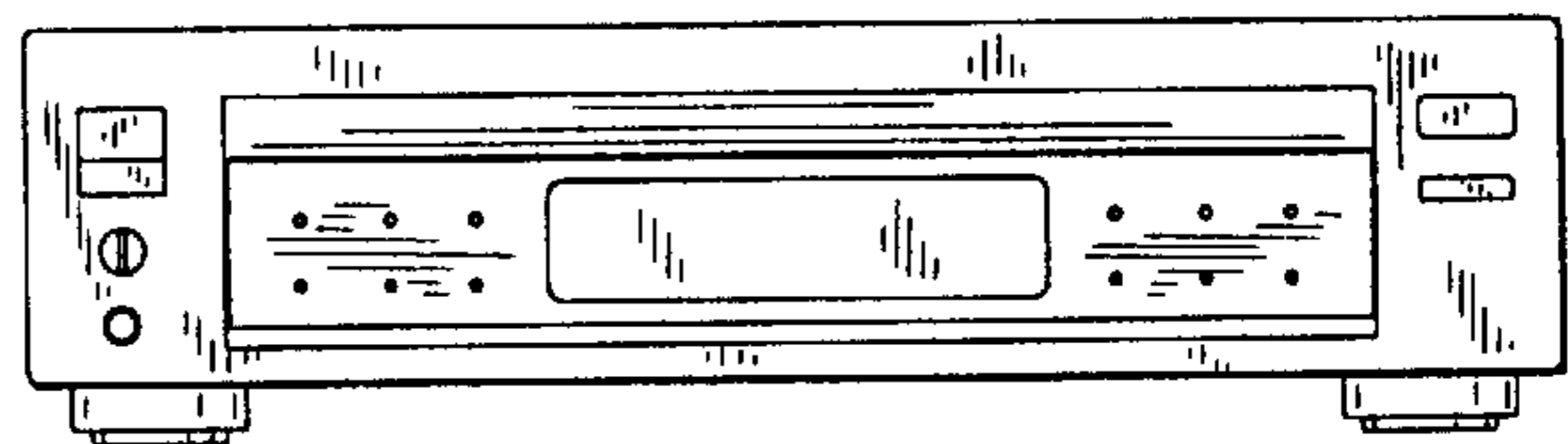


FIG. 14

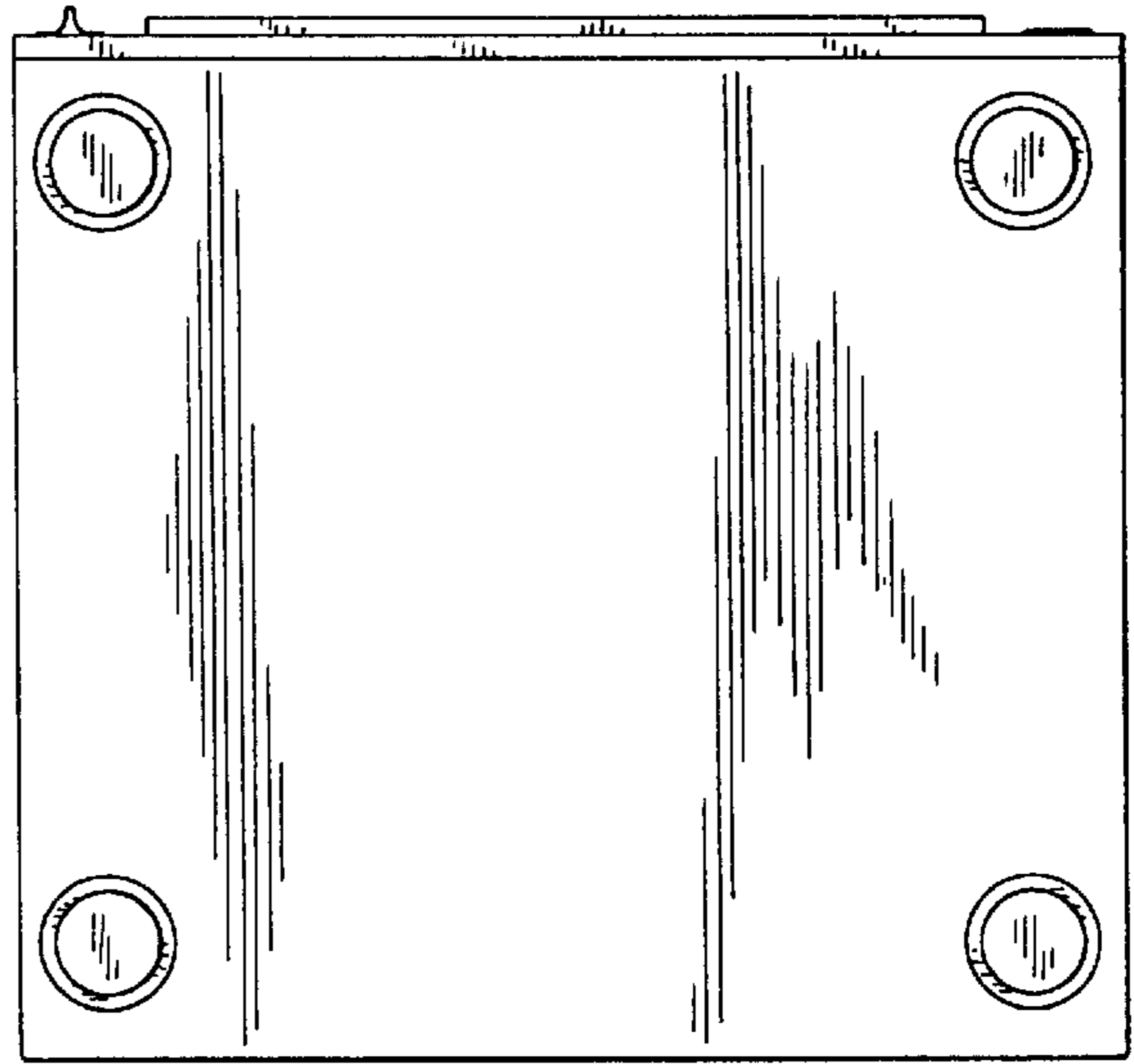


FIG. 15

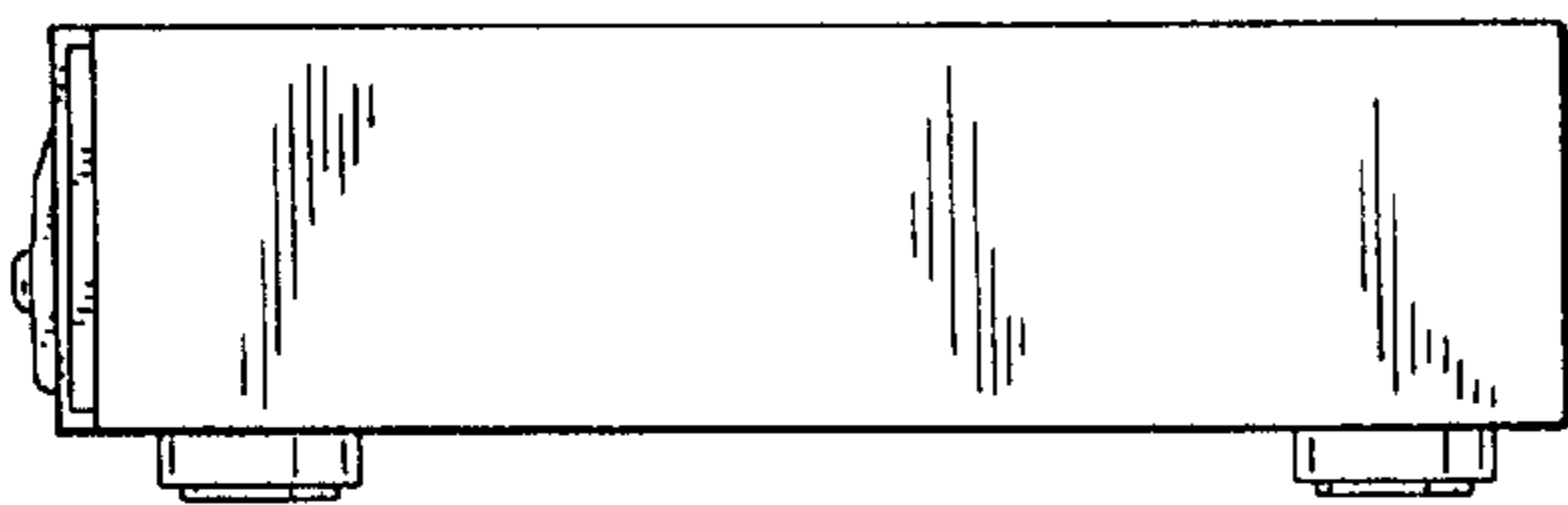


FIG. 16

