



US00D407395S

United States Patent [19] Pattberg

[11] **Patent Number: Des. 407,395**

[45] **Date of Patent: **Mar. 30, 1999**

[54] **MOBILE RADIOTELEPHONE DEVICE**

5,657,370 8/1997 Tsugane et al. 455/550
5,668,867 9/1997 Nagai 379/433

[75] Inventor: **Jens Pattberg**, Munich, Germany

OTHER PUBLICATIONS

[73] Assignee: **Siemens Aktiengesellschaft**, Munich, Germany

Japanese advertisement, DoCoMo Mova telephone, Nov. 26, 1997.

[**] Term: **14 Years**

Primary Examiner—Jeffrey Asch
Attorney, Agent, or Firm—Hill & Simpson

[21] Appl. No.: **70,391**

[22] Filed: **Apr. 30, 1997**

[57] CLAIM

[30] Foreign Application Priority Data

The ornamental design for a mobile radiotelephone device, as shown and described.

Oct. 31, 1996 [DE] Germany M 96 09 462.1

DESCRIPTION

[51] **LOC (6) Cl.** **14-03**

FIG. 1 is a perspective view of the mobile radiotelephone device of the present invention in an open condition;

[52] **U.S. Cl.** **D14/138**

FIG. 2 is a front plan view of the mobile radiotelephone device in the open condition;

[58] **Field of Search** D14/137, 138, D14/140, 142, 147, 148, 240, 248; 379/419, 420, 428, 440, 433, 434; 455/90, 550-575

FIG. 3 is a back plan view of the mobile radiotelephone device in the open condition;

[56] References Cited

FIG. 4 is a front plan view of the mobile radiotelephone device in a closed or shut condition;

U.S. PATENT DOCUMENTS

D. 306,294 2/1990 Watanabe D14/148
D. 319,441 8/1991 Konno et al. D14/147
D. 346,164 4/1994 Shirakawa et al. D14/138
D. 347,221 5/1994 Siddoway D14/138
D. 352,503 11/1994 Nagele D14/138
D. 369,598 5/1996 Nagele et al. D14/248 X
D. 378,088 2/1997 Ando D14/138
D. 379,983 6/1997 Shindou D14/138
D. 385,873 11/1997 Nagele et al. D14/138
5,630,211 5/1997 Nagai 455/575

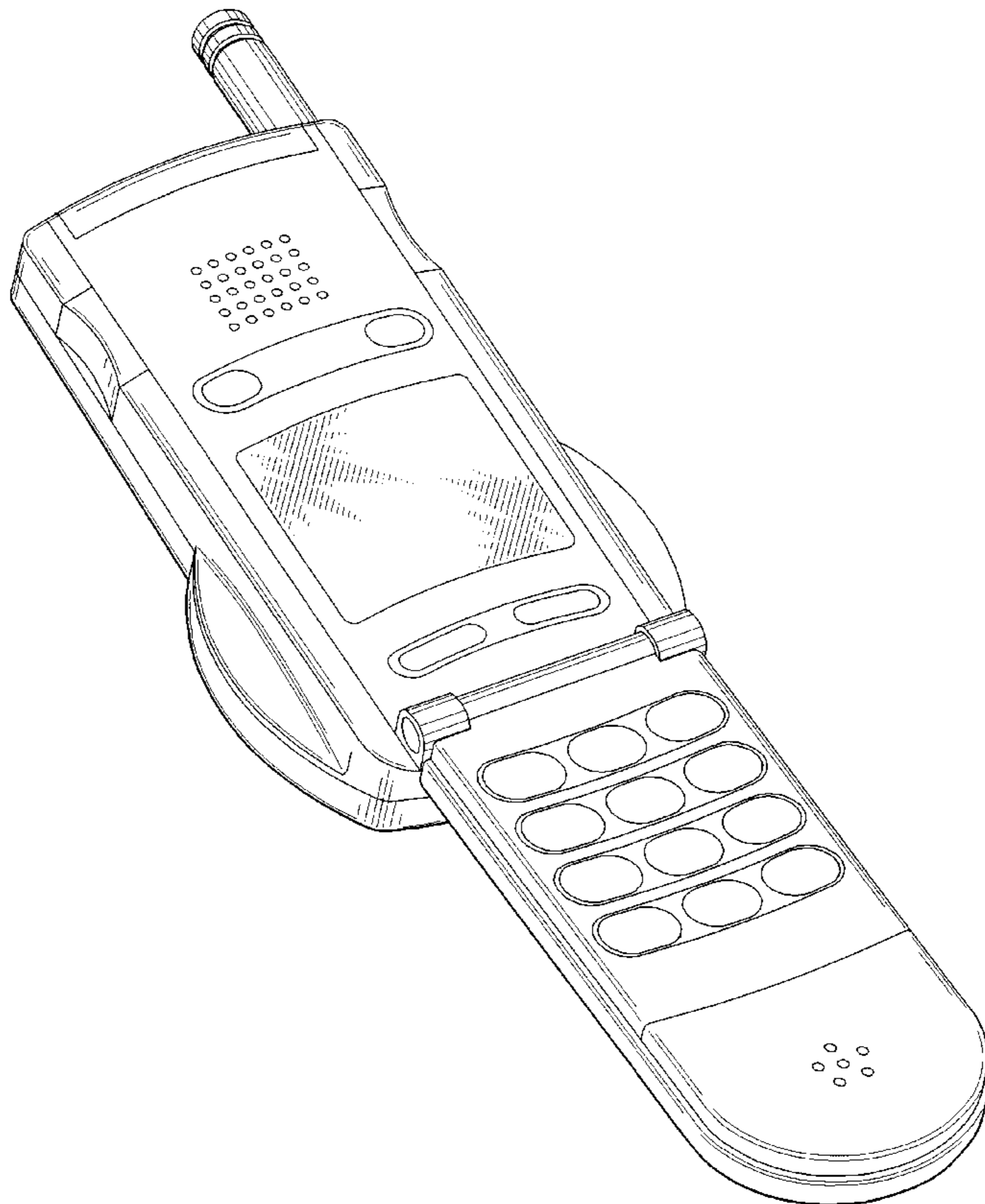
FIG. 5 is a left side view of the mobile radiotelephone device in the open condition;

FIG. 6 is a right side view of the mobile radiotelephone device in the open condition;

FIG. 7 is an end view of the lower end of the mobile radiotelephone device in the open condition; and,

FIG. 8 is an end view of the upper end of the mobile radiotelephone device in the open position.

1 Claim, 5 Drawing Sheets



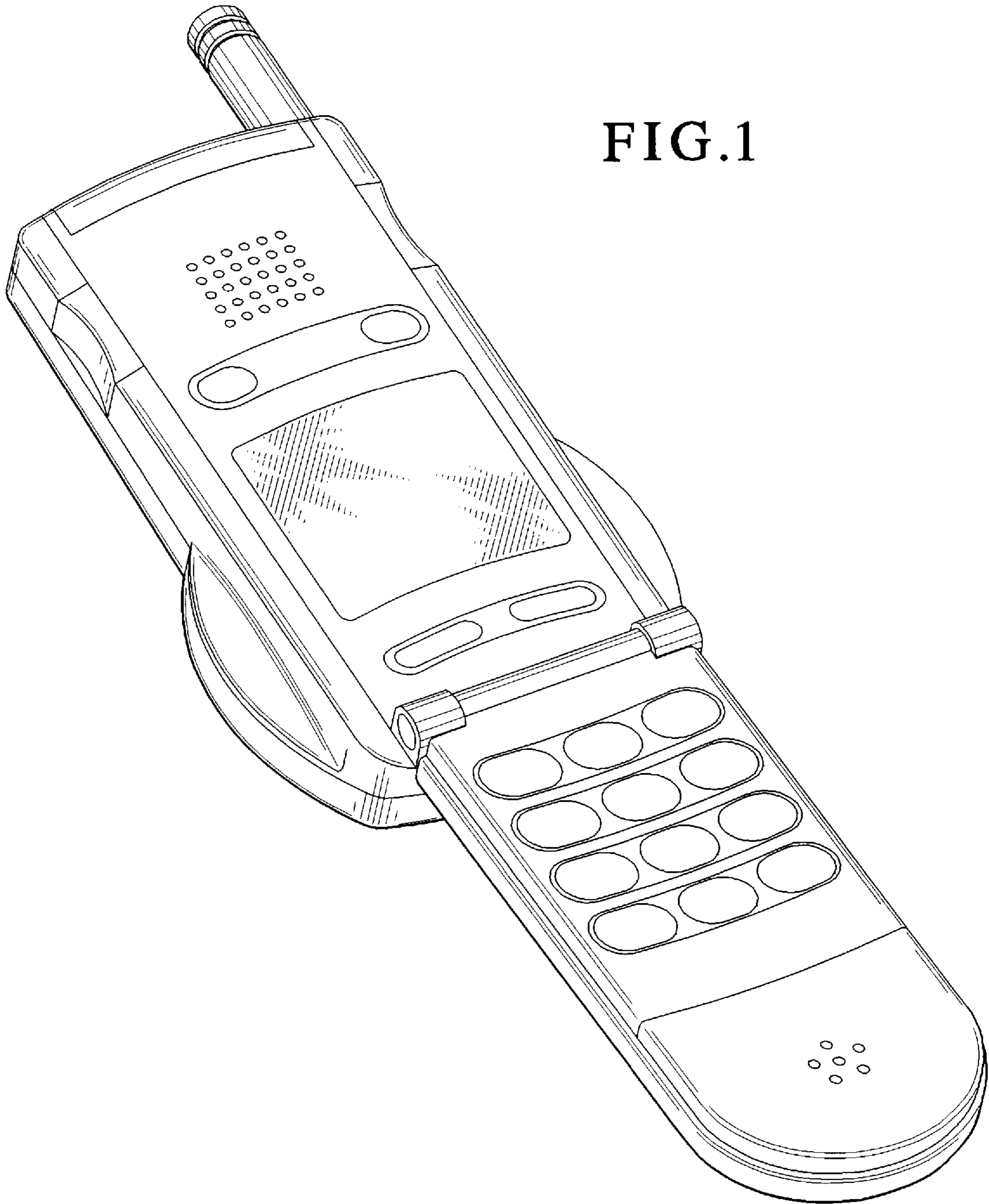


FIG.1

FIG. 2

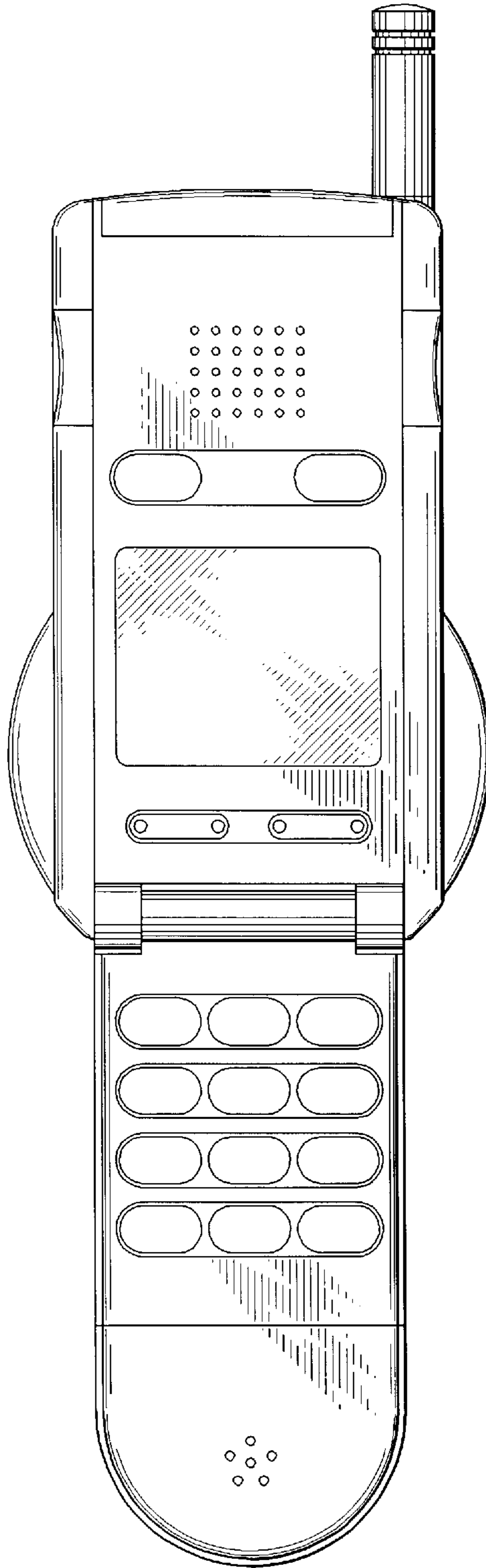


FIG.3

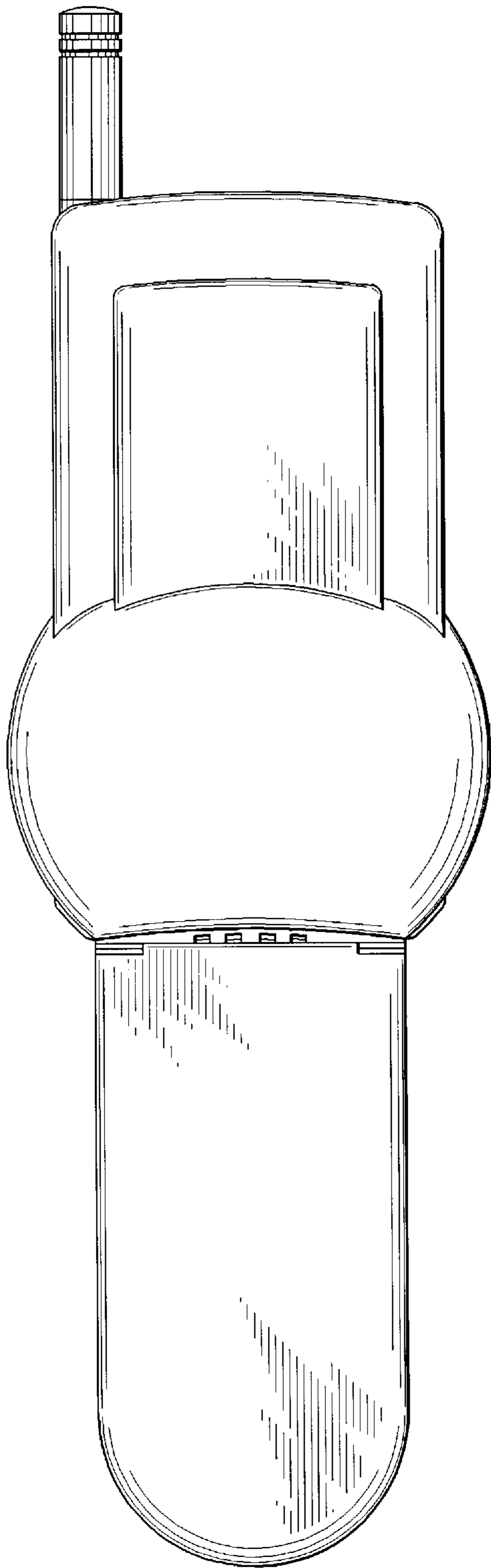


FIG.4

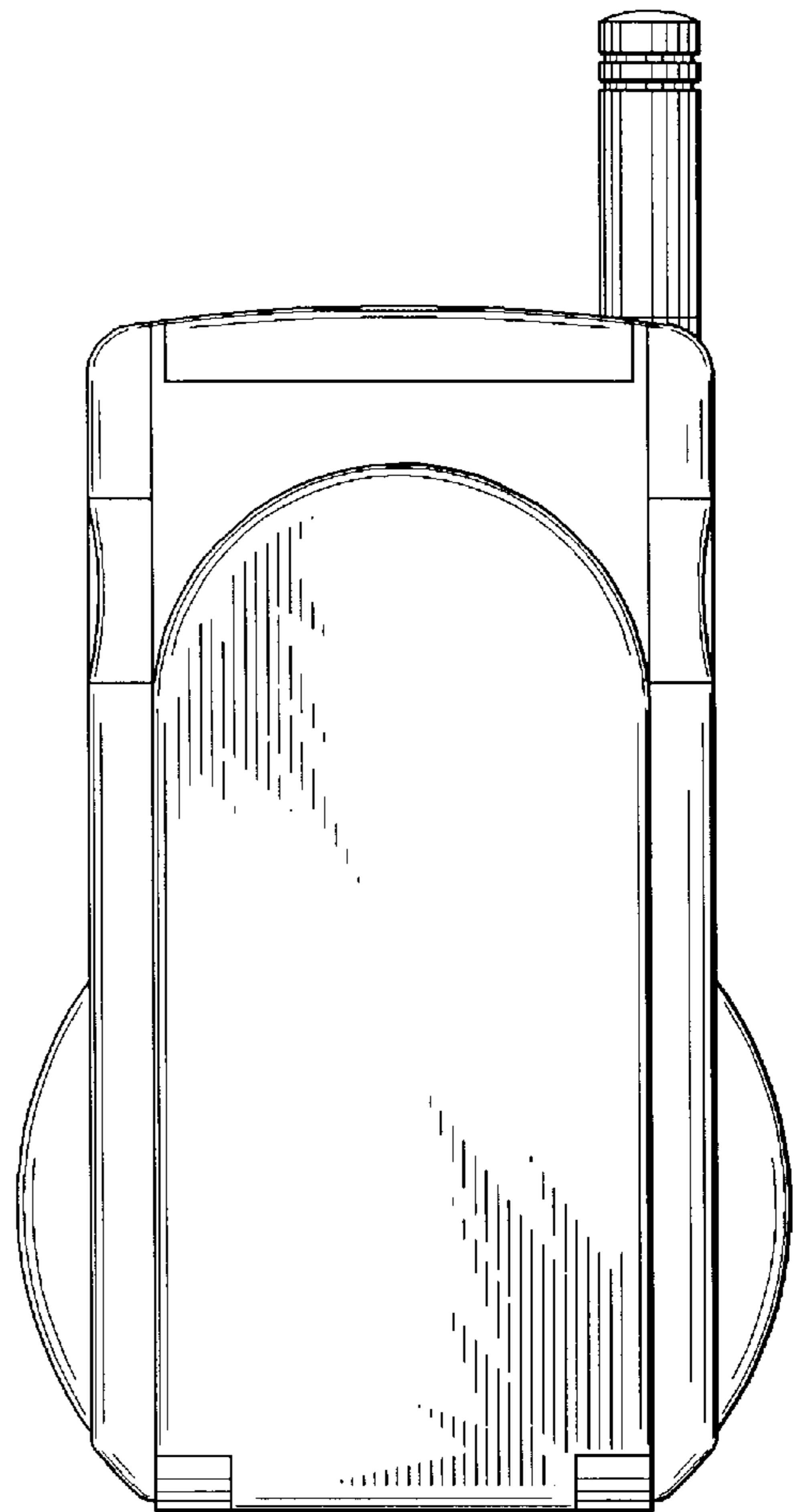


FIG.5

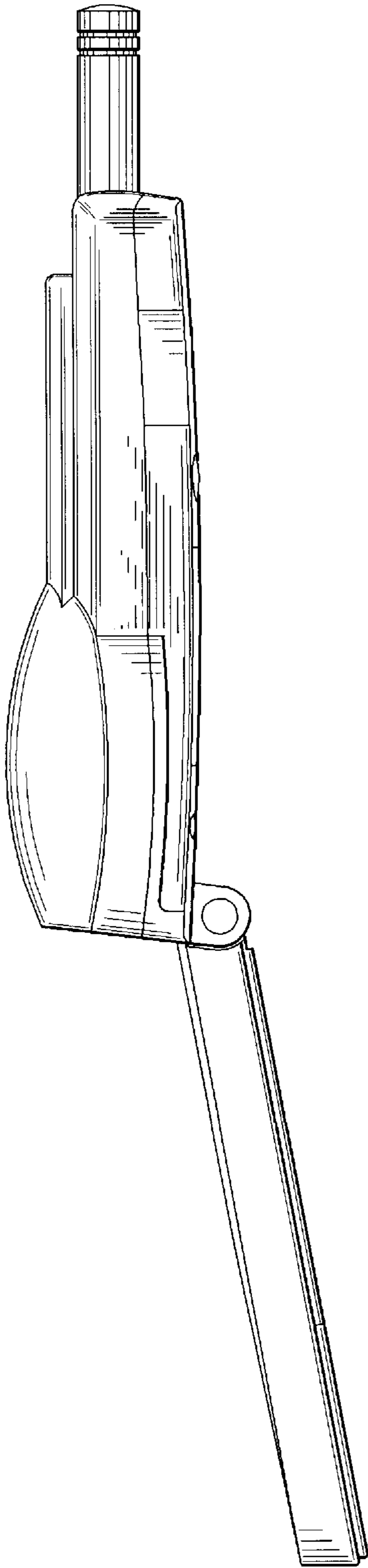


FIG.6

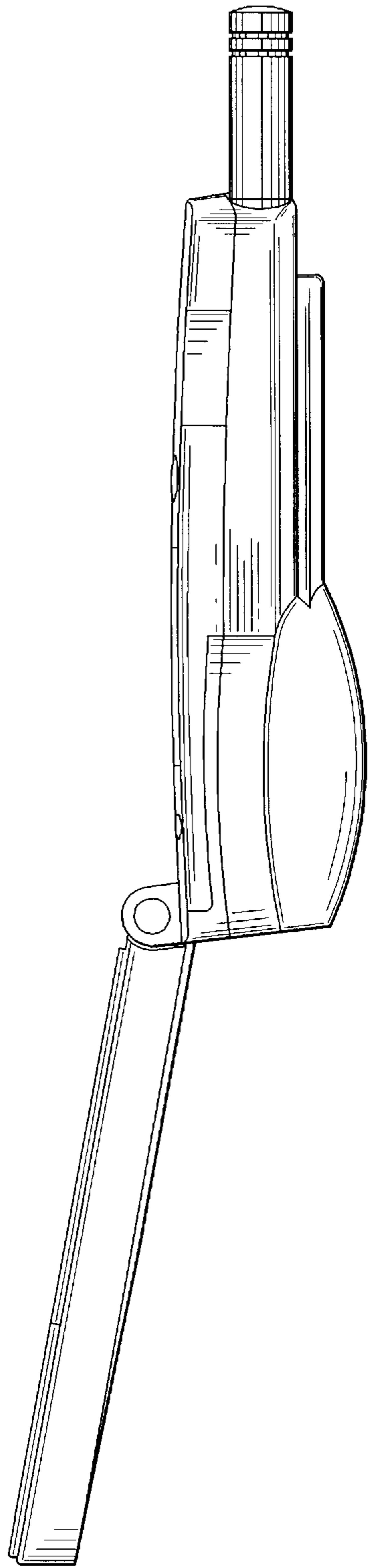


FIG. 7

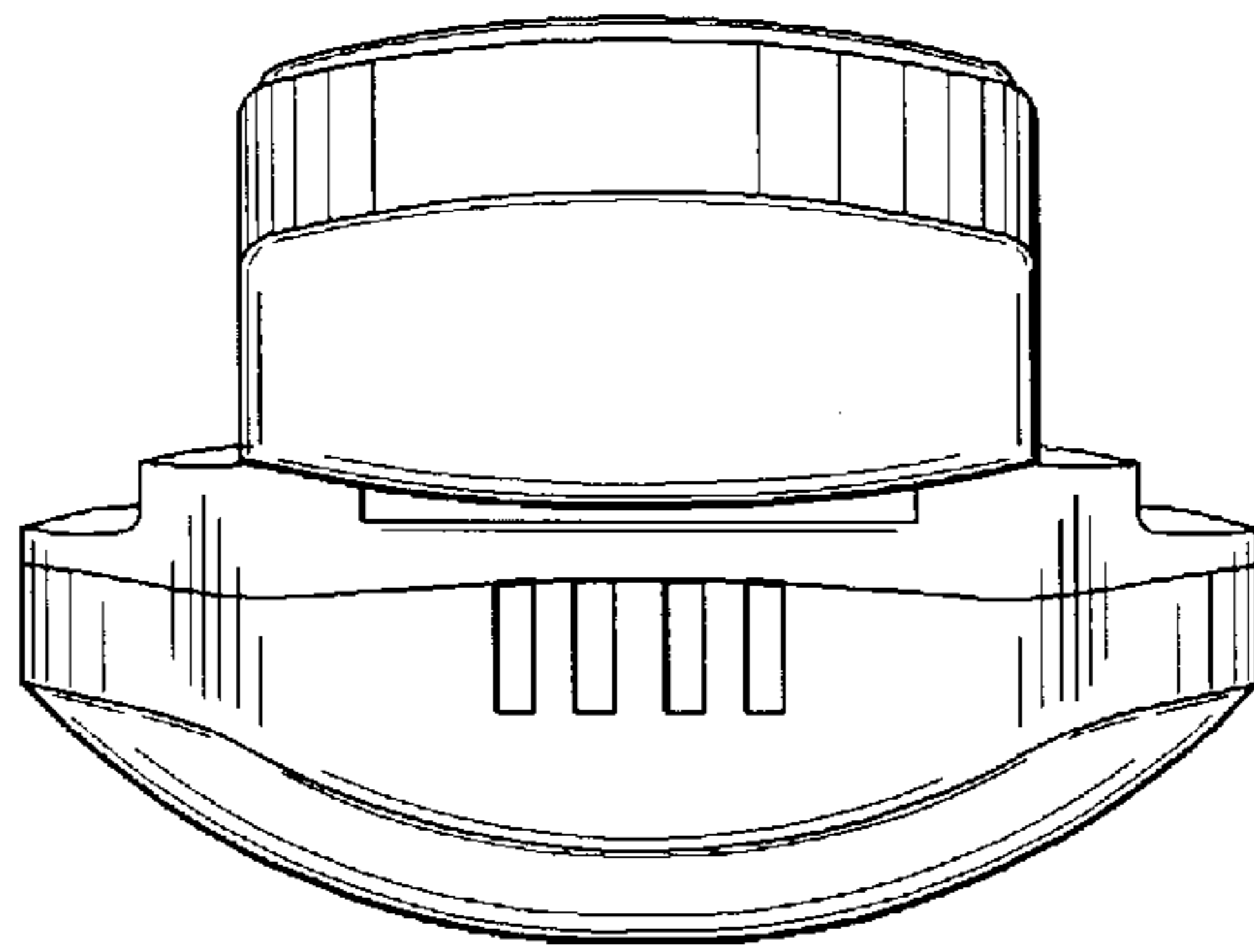


FIG. 8

