



US00D407392S

# United States Patent [19] Kleineidam

[11] **Patent Number: Des. 407,392**

[45] **Date of Patent: \*\*Mar. 30, 1999**

[54] **CHIPCARD**

[75] Inventor: **Gerhard Kleineidam**, Nürnberg,  
Germany

[73] Assignee: **Siemens Aktiengesellschaft**, Munich,  
Germany

[\*\*] Term: **14 Years**

[21] Appl. No.: **80,982**

[22] Filed: **Dec. 22, 1997**

[30] **Foreign Application Priority Data**

Jun. 23, 1997 [WO] WIPO ..... DM/040547

[51] **LOC (6) Cl.** ..... **14-02**

[52] **U.S. Cl.** ..... **D14/117**

[58] **Field of Search** ..... D14/107, 114;  
D13/182, 147; 235/441-443, 487-492,  
486; 361/737; 359/152; 396/211; 439/607,  
946, 620

[56] **References Cited**

**U.S. PATENT DOCUMENTS**

D. 353,135 12/1994 Gloton ..... D14/117

D. 369,157 4/1996 Ohmori et al. .... D14/117  
D. 375,303 11/1996 Gaumet ..... D14/117  
3,421,241 1/1969 Hochberg ..... D14/117 X

*Primary Examiner*—Freda Nunn  
*Attorney, Agent, or Firm*—Herbert L. Lerner; Laurence A. Greenberg

[57] **CLAIM**

The ornamental design for the chipcard, as shown and described.

**DESCRIPTION**

FIG. 1 is a top front and side perspective view of a chipcard showing my new design;

FIG. 2 is a bottom perspective view thereof;

FIG. 3 is a top front and side perspective view of a second embodiment thereof; and,

FIG. 4 is a bottom perspective view thereof.

The undisclosed rear and opposite side elevational views are identical to those sides shown in the views and the beveled corner is flat and unornamented.

**1 Claim, 2 Drawing Sheets**

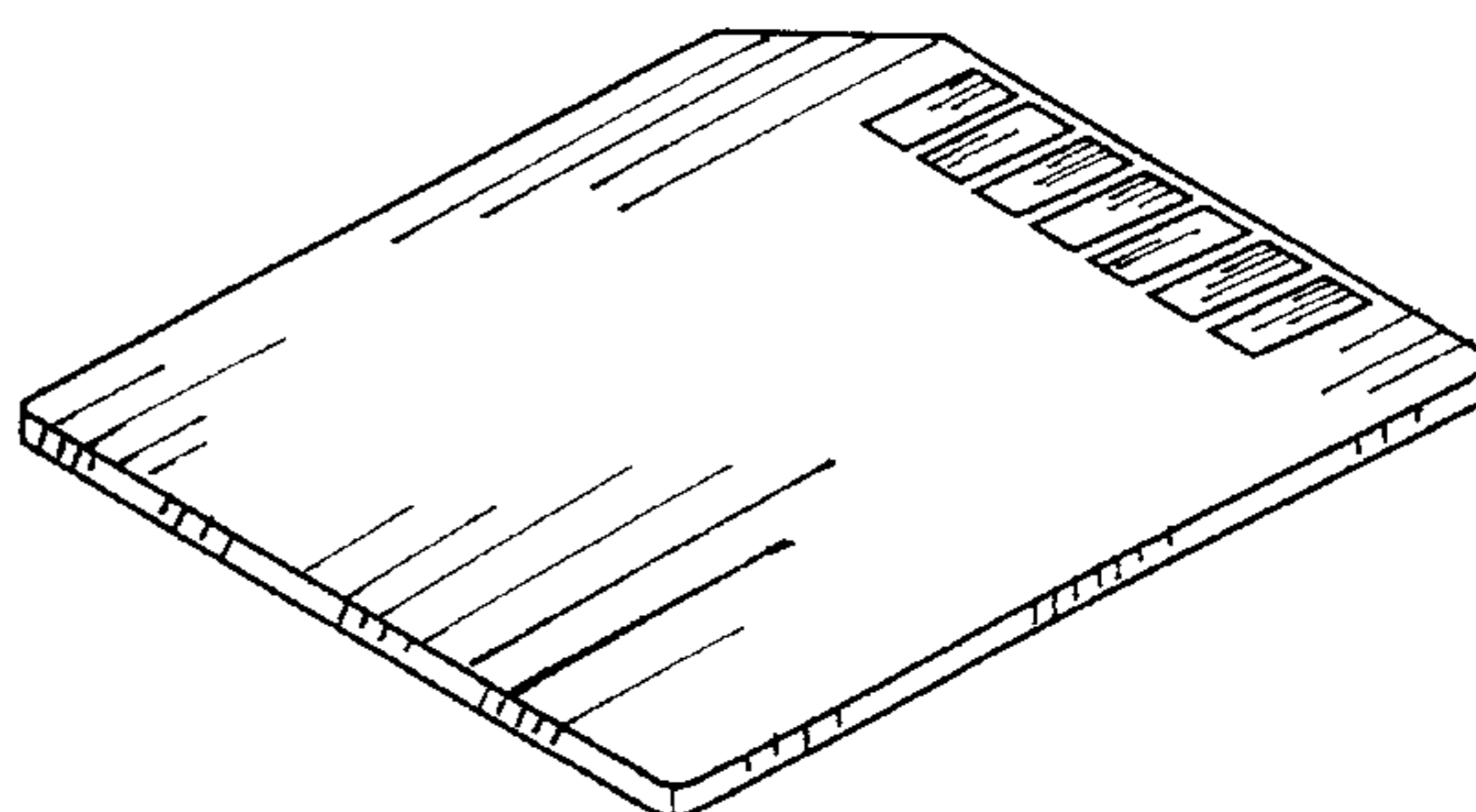
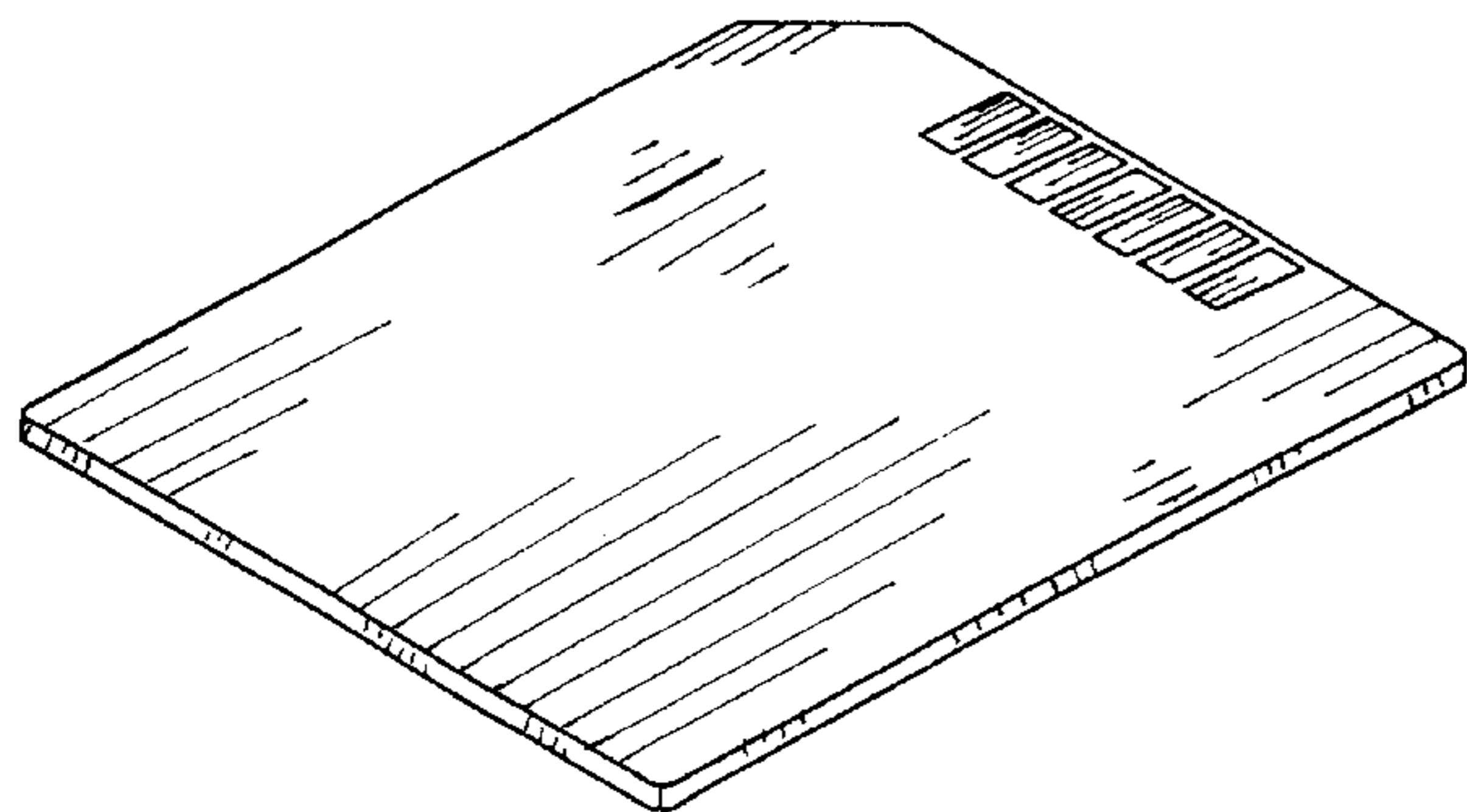


FIG 1

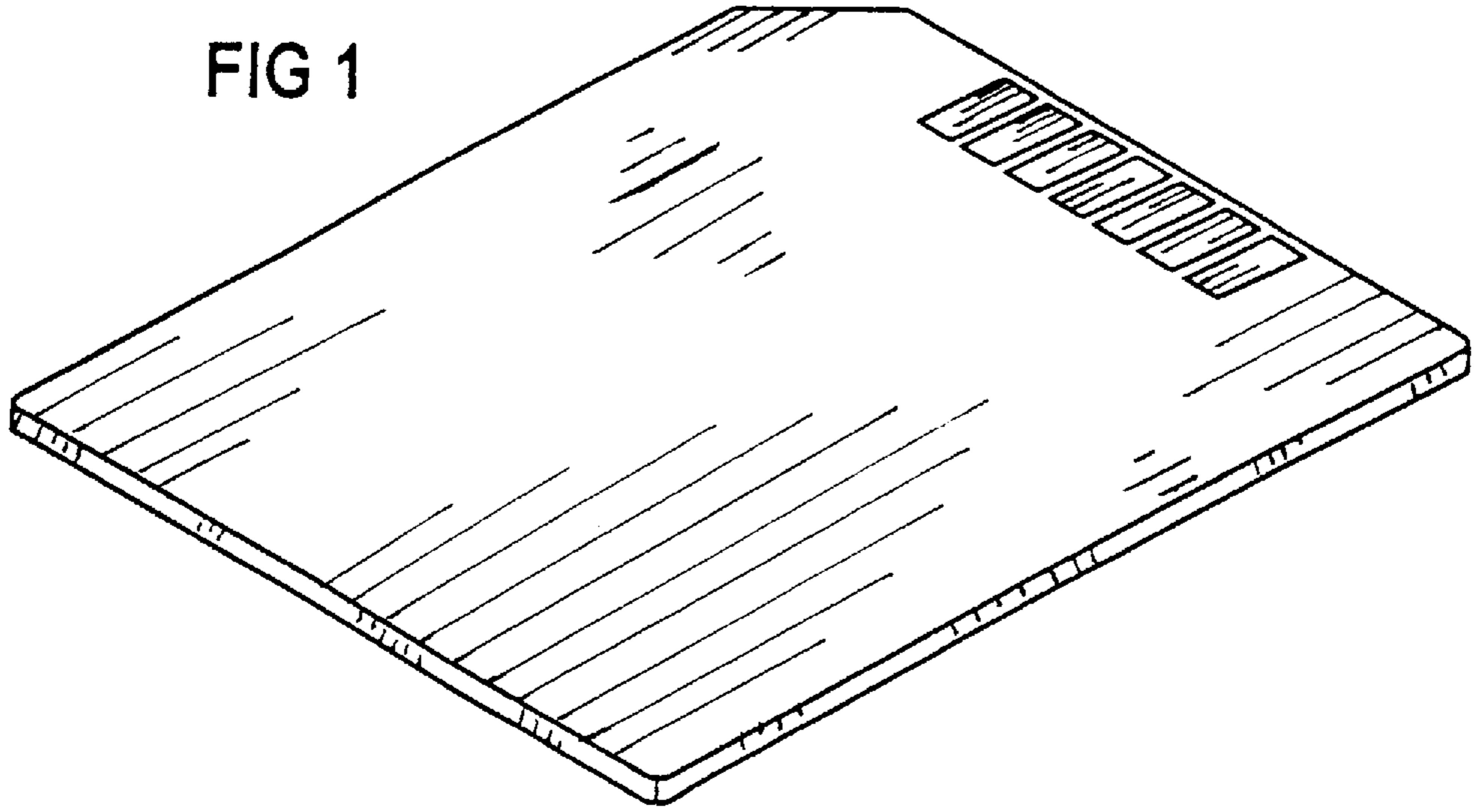


FIG 2

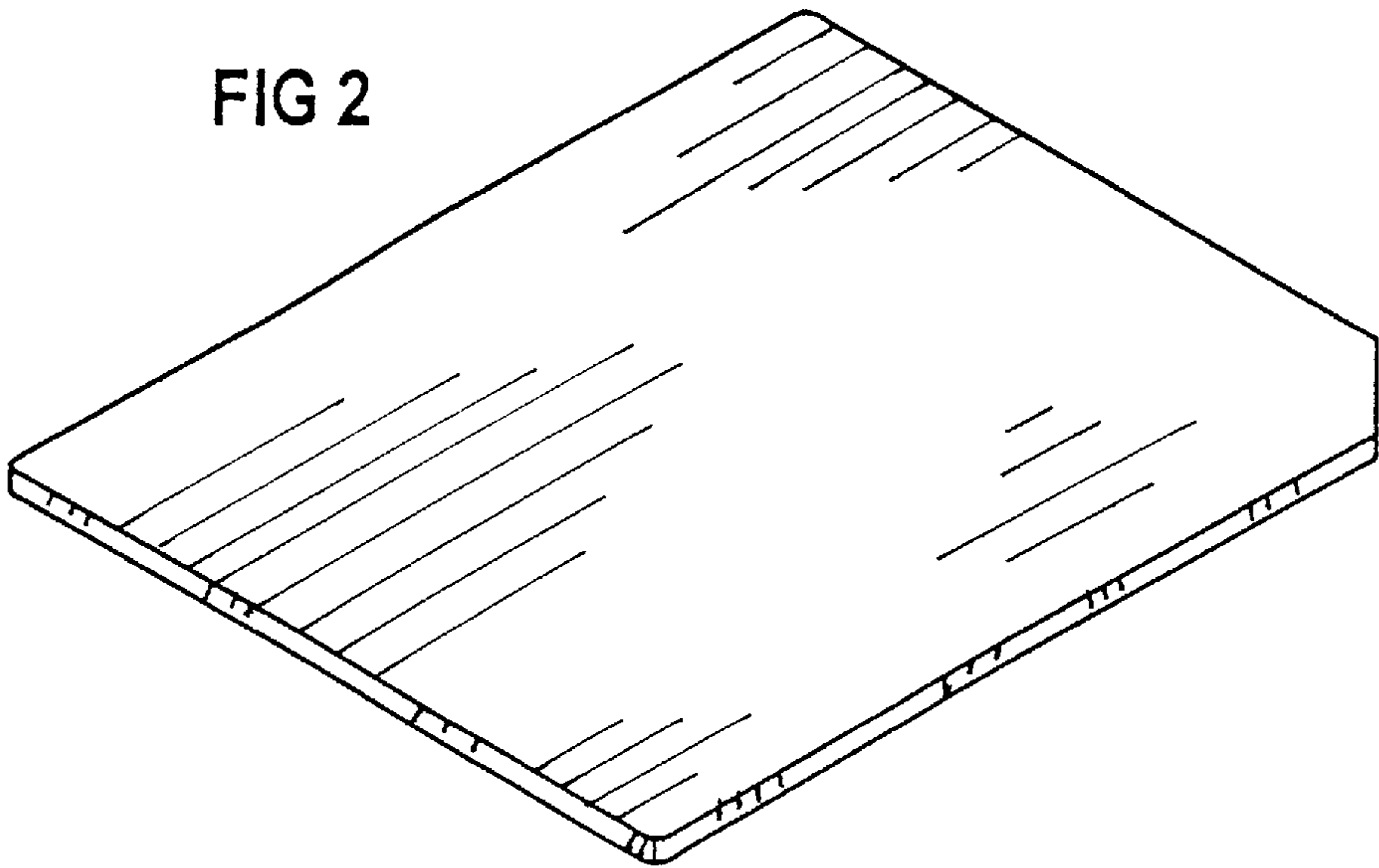


FIG 3

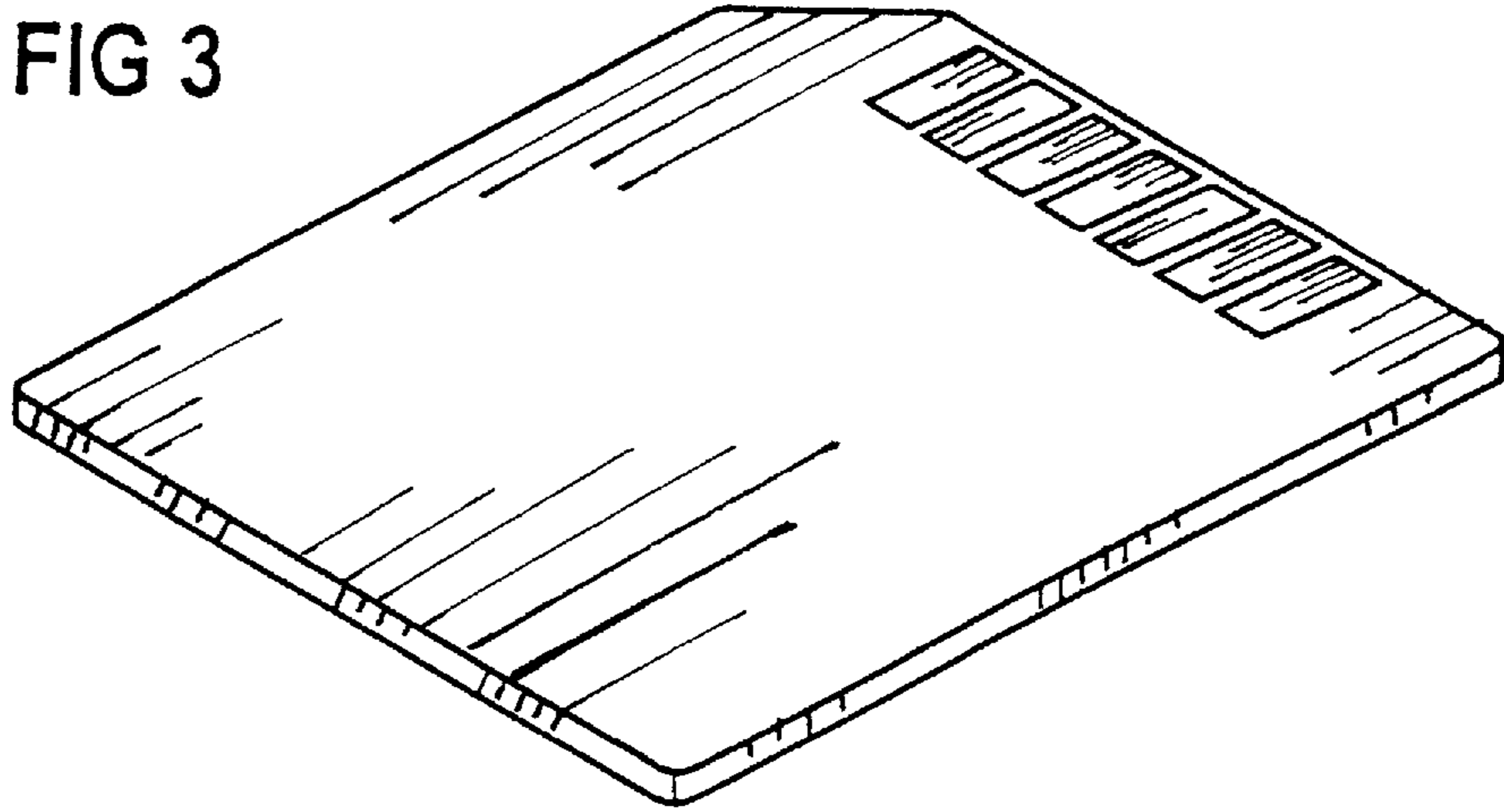


FIG 4

