



US00D407390S

United States Patent [19]

[11] Patent Number: Des. 407,390

Nowell et al.

[45] Date of Patent: **Mar. 30, 1999

[54] MEMORY CARTRIDGE FRONT PORTION

[75] Inventors: **Shane Nowell**, Riverdale, Utah; **Brian Schick**, San Diego; **Jonathan Guerra**, San Francisco, both of Calif.

[73] Assignee: **Iomega Corporation**, Roy, Utah

[**] Term: **14 Years**

[21] Appl. No.: **79,331**

[22] Filed: **Nov. 12, 1997**

[51] LOC (6) Cl. **14-02**

[52] U.S. Cl. **D14/114**

[58] Field of Search D14/100, 107, D14/114; D6/626-7; 360/60, 129, 132-3, 135, 97.01-99.12; 206/312, 307, 308.1, 308.2, 472; 369/291, 273, 77.2

[56] **References Cited**

U.S. PATENT DOCUMENTS

D. 245,125	7/1977	Chou et al.	D14/10
D. 263,222	3/1982	Driscoll	D14/11
D. 274,522	7/1984	Kneale	D14/114
D. 275,676	9/1984	Nakagawa et al.	D14/114
D. 277,858	3/1985	Takahashi et al.	D14/114
D. 287,597	1/1987	Naoi	D14/114
D. 289,874	5/1987	Sutoh et al.	D14/114
D. 297,938	10/1988	Hara	D14/114
D. 298,251	10/1988	Kato et al.	D14/114
D. 304,720	11/1989	Ashe et al.	D14/114
D. 307,893	5/1990	Kato et al.	D14/114
D. 311,181	10/1990	Miyazawa	D14/114
D. 311,182	10/1990	Nash et al.	D14/114
D. 311,526	10/1990	Hamada et al.	D14/114
D. 312,077	11/1990	Sasaki et al.	D14/114
D. 312,250	11/1990	Sasaki et al.	D14/114
D. 313,412	1/1991	Holmgren	D14/120
D. 315,900	4/1991	Iwata	D14/114
D. 325,468	4/1992	Ohba	D3/35
D. 328,457	8/1992	Matsuzaka	D14/114
D. 340,032	10/1993	Fujisawa	D14/114
D. 342,062	12/1993	Martin	D14/114
D. 342,379	12/1993	Taniyama	D3/35
D. 346,374	4/1994	Miyazaki et al.	D14/114
D. 346,375	4/1994	Miyazaki et al.	D14/114

D. 346,596	5/1994	Kajita et al.	D14/114
D. 347,215	5/1994	Ikenaga	D14/114
D. 351,593	10/1994	Miyazaki	D14/114
D. 356,305	3/1995	Kikutani et al.	D14/114
D. 356,787	3/1995	Miyazaki	D14/114
D. 356,789	3/1995	Miyazaki	D14/114
D. 357,239	4/1995	Kato et al.	D14/114
D. 358,586	5/1995	Miyazaki et al.	D14/114
D. 359,039	6/1995	Kato et al.	D14/114
D. 361,560	8/1995	Shindo	D14/114
D. 363,711	10/1995	Happo	D14/114
D. 364,858	12/1995	McGrath et al.	D14/114
D. 366,476	1/1996	Bordes	D14/114
D. 367,474	2/1996	Ikenaga	D14/114
D. 368,083	3/1996	Hayami et al.	D14/114
D. 369,151	4/1996	Fujisawa	D14/114
D. 369,152	4/1996	Fujisawa	D14/114
D. 369,153	4/1996	Fujisawa	D14/114
D. 370,009	5/1996	Smedley, Jr. et al.	D14/114
D. 371,548	7/1996	Yamamoto et al.	D14/114
D. 374,220	10/1996	Katayama	D14/114
D. 374,436	10/1996	Yamamoto et al.	D14/114
D. 375,490	11/1996	Hisatsune	D14/114
D. 375,491	11/1996	Hata	D14/114
D. 377,344	1/1997	Yamamoto et al.	D14/114
D. 378,518	3/1997	Sumner et al.	D14/114
D. 381,643	7/1997	Carlson	D14/114
D. 387,743	12/1997	Takahashi	D14/114

Primary Examiner—M. H. Tung
Attorney, Agent, or Firm—Woodcock Washburn Kurtz Mackiewicz & Norris LLP

[57] **CLAIM**

The ornamental design for a memory cartridge front portion, as shown and described.

DESCRIPTION

FIG. 1 is a top perspective view of a memory cartridge front portion, on an enlarged scale;
FIG. 2 is a top plan view of the cartridge embodiment shown in FIG. 1;
FIG. 3 is a bottom plan view of the cartridge embodiment shown in FIG. 1;
FIG. 4 is a bottom view of the memory cartridge front portion shown in FIG. 1;
FIG. 5 is a top view of the memory cartridge front portion shown in FIG. 1;

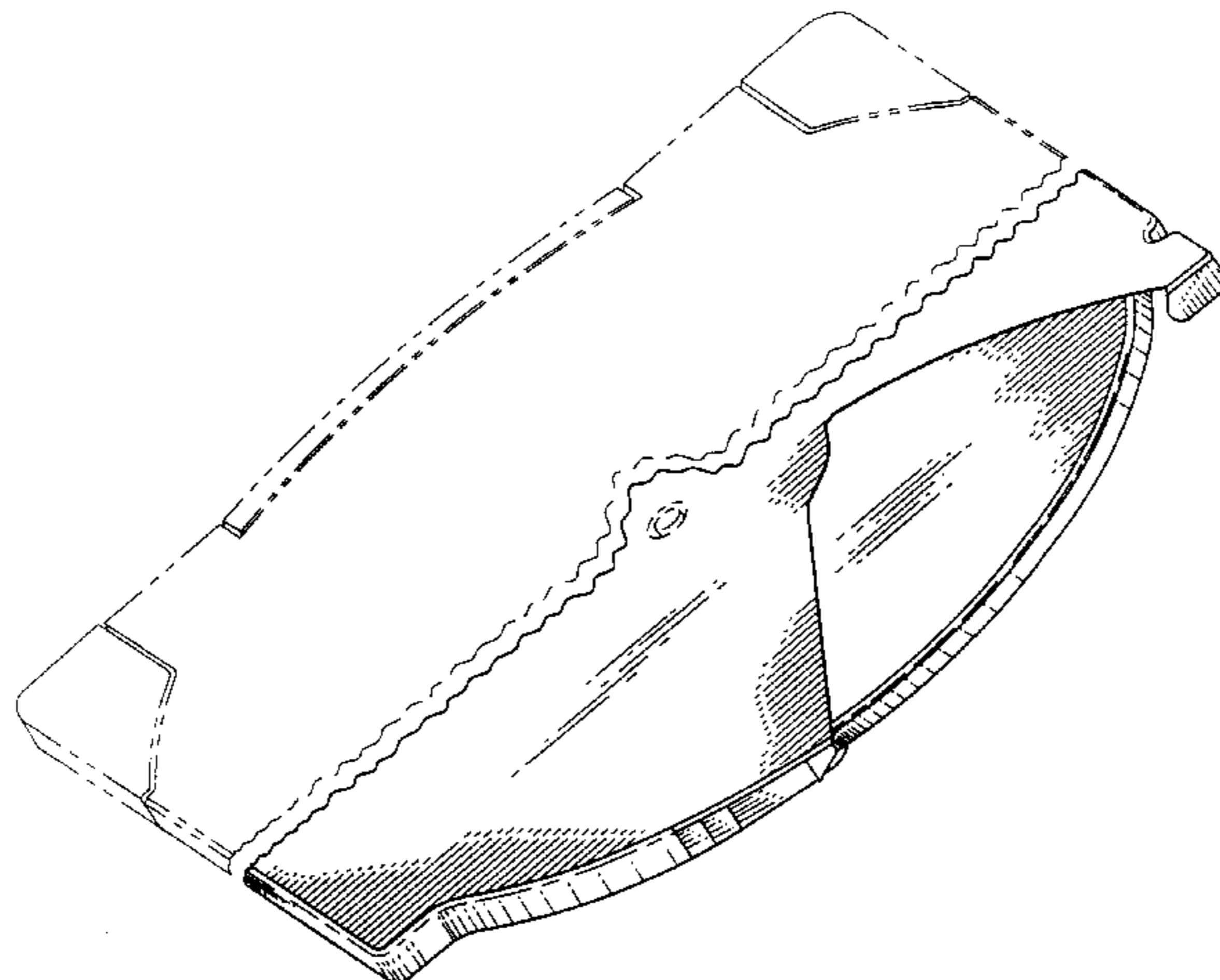


FIG. 6 is a side view of the memory cartridge front portion shown in FIG. 1; and,
FIG. 7 is an opposite side view of the memory cartridge front portion shown in FIG. 1.

The broken lines are shown in the views for illustrative purposes only and form no part of the claimed design.

1 Claim, 3 Drawing Sheets

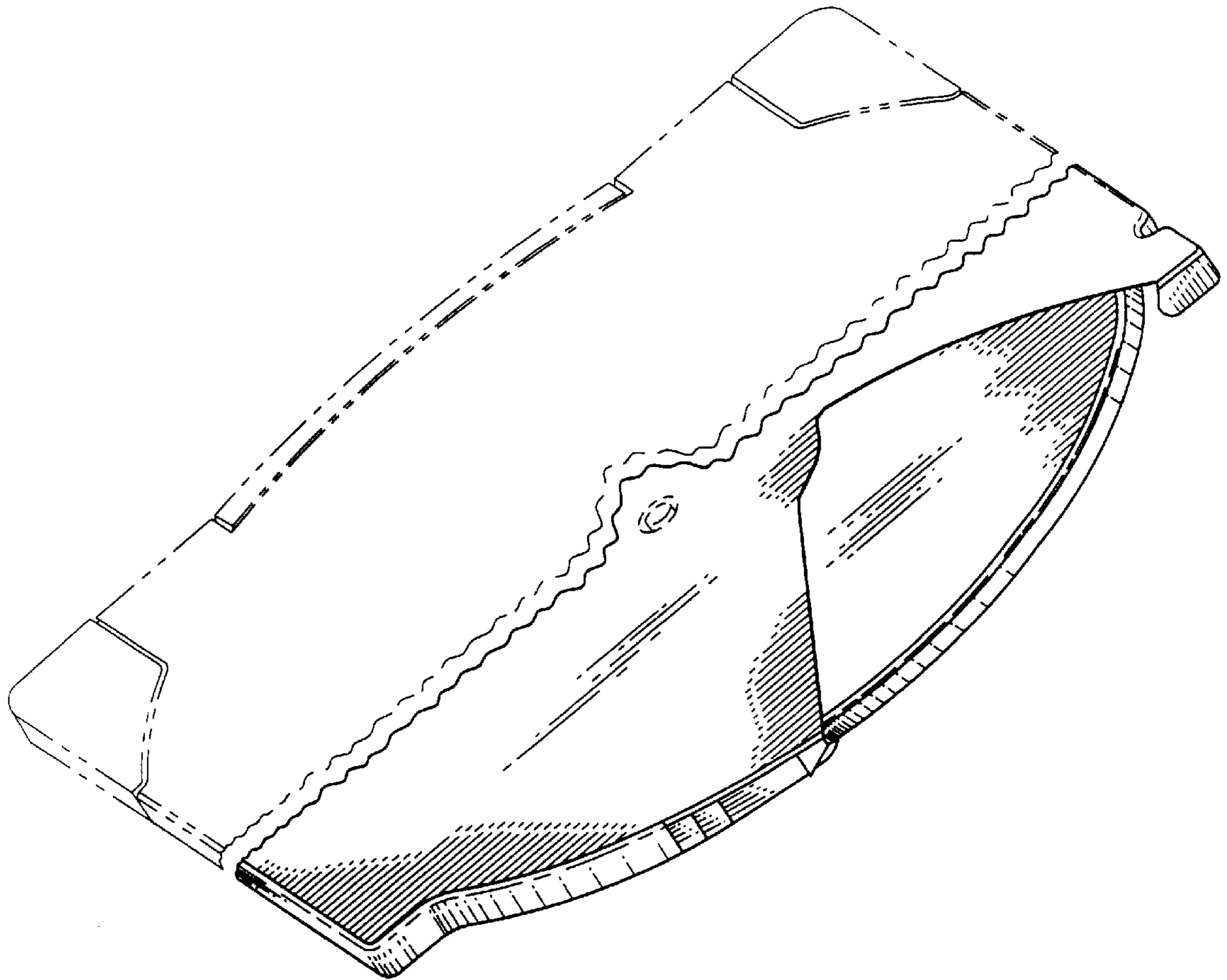


FIG. 1

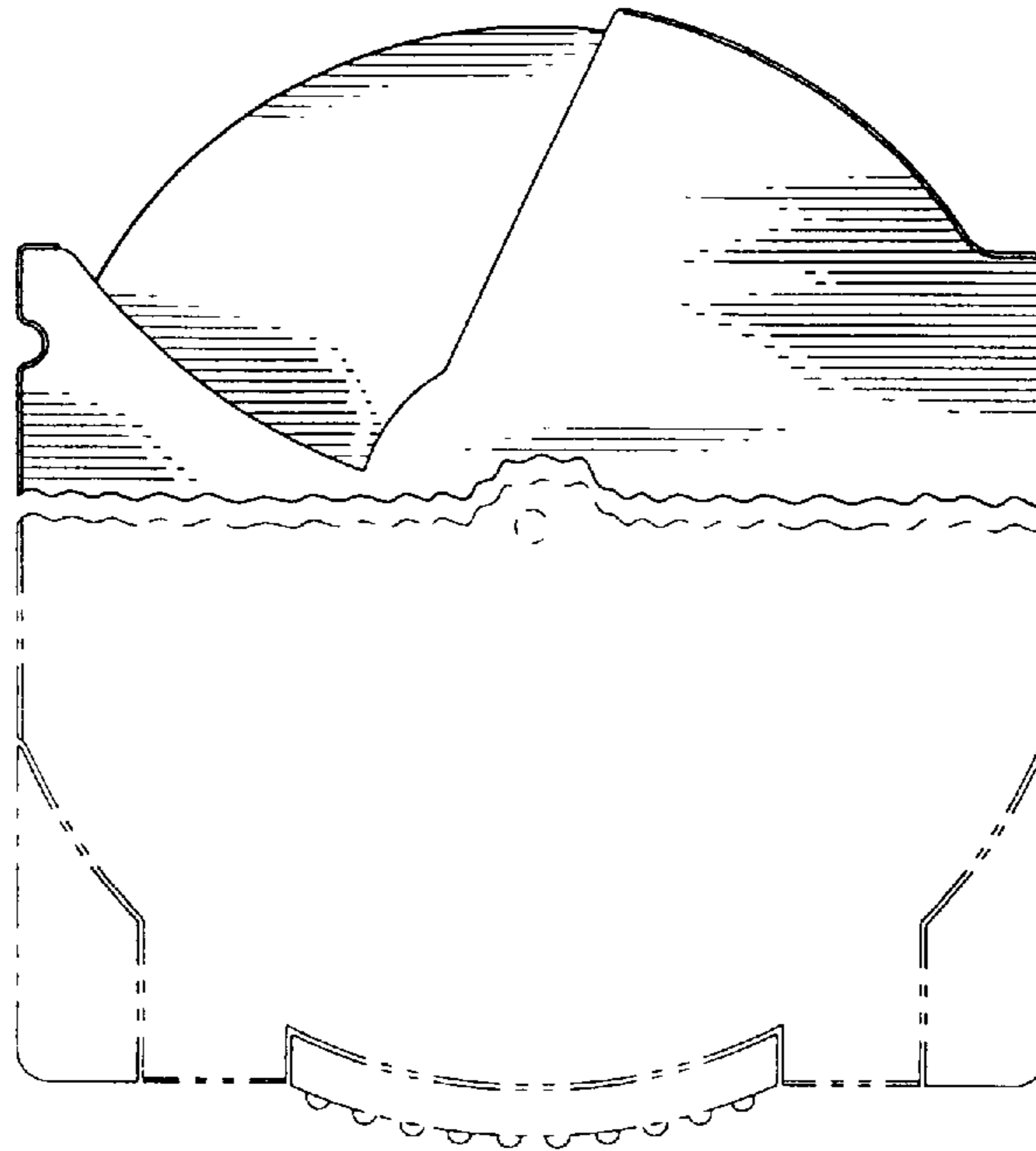


FIG. 2

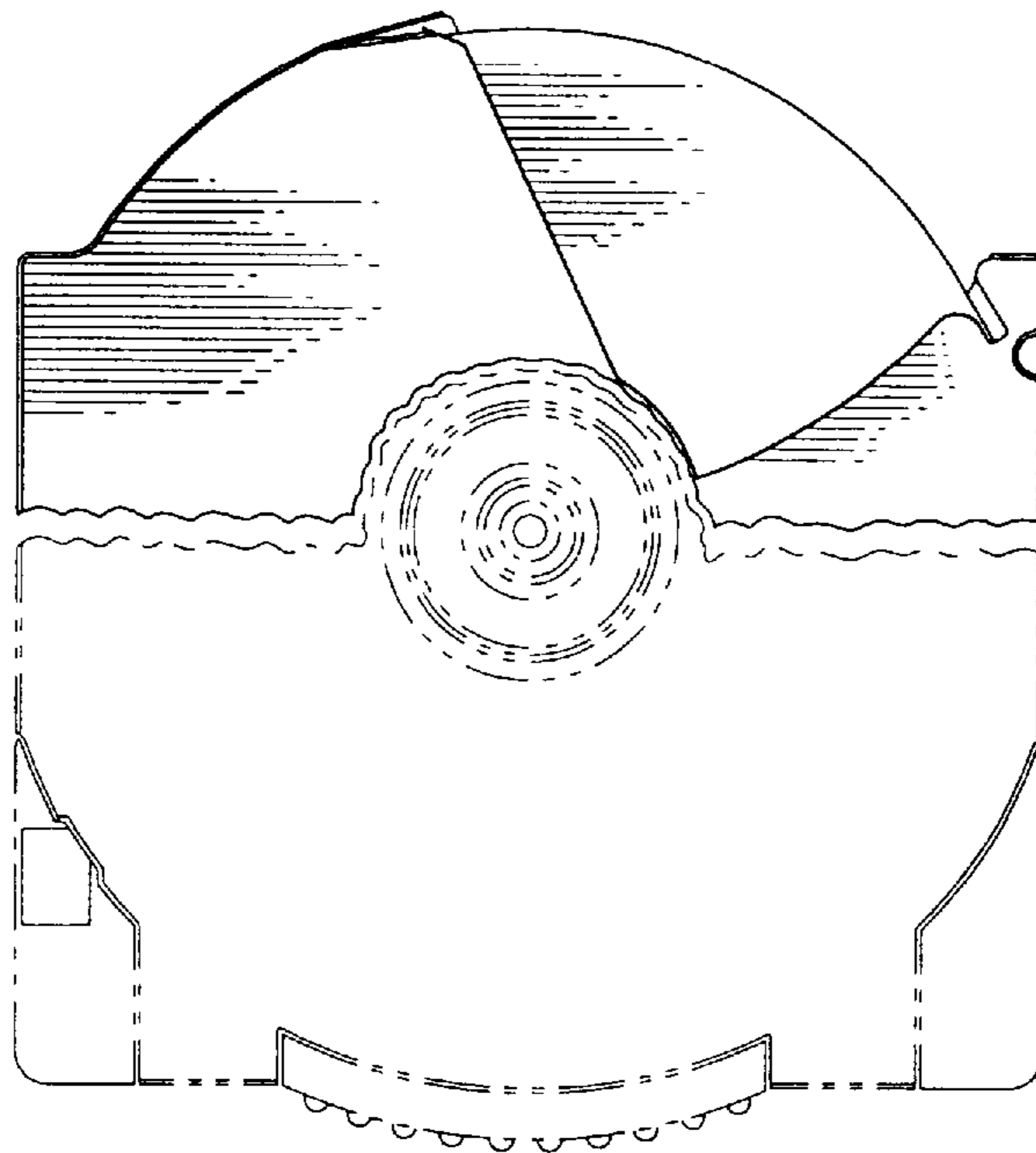


FIG. 3

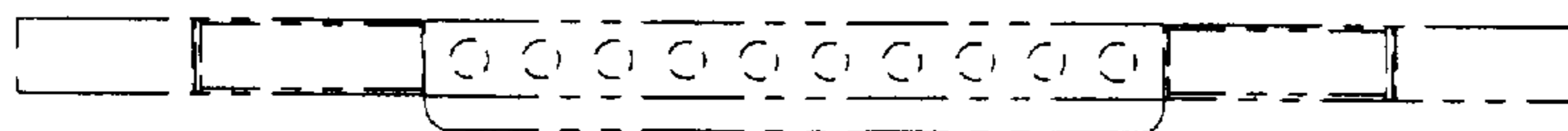


FIG. 4

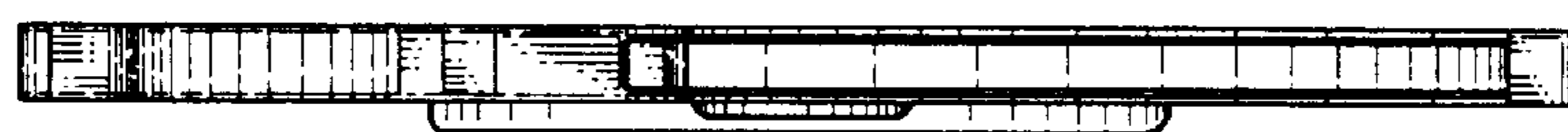


FIG. 5

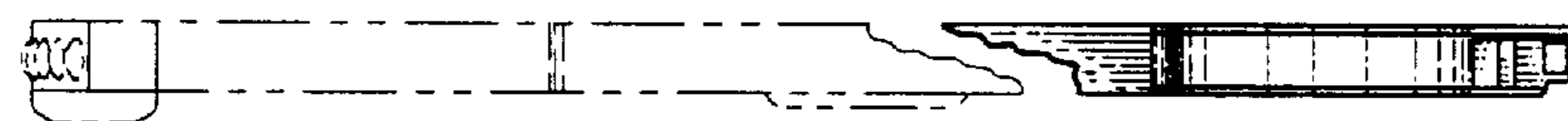


FIG. 6

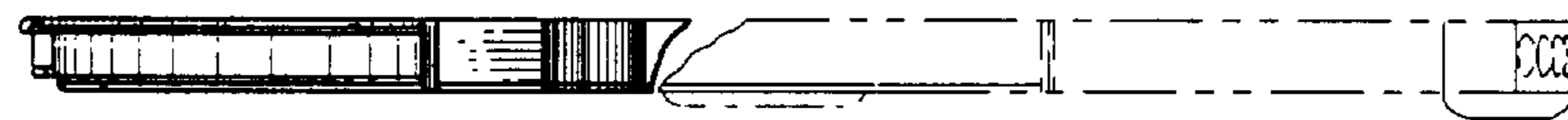


FIG. 7