

US00D407388S

United States Patent [19]

Liao

[11] Patent Number: Des. 407,388

[45] Date of Patent: **Mar. 30, 1999

[54] LIQUID CRYSTAL DISPLAY

Primary Examiner—Freda Nunn

[76] Inventor: Chun-Chi Liao, No. 9, Lane 126, Min Shen Road, Taichung City, Taiwan

[57] CLAIM

[**] Term: 14 Years

The ornamental design for liquid crystal display, as shown and described.

[21] Appl. No.: 82,860

DESCRIPTION

[22] Filed: Jan. 29, 1998

FIG. 1 is a perspective view of a liquid crystal display showing my new design;

[51] LOC (6) Cl. 14-02

FIG. 2 is a front elevational view thereof;

[52] U.S. Cl. D14/113; D14/126

FIG. 3 is a rear elevational view thereof;

[58] Field of Search D14/100, 101, D14/106, 113, 124-129; 248/917-924; 341/12; 345/104, 133, 156, 168, 87, 173, 901-905; 348/180, 184, 325, 739; D20/42

FIG. 4 is a left side elevational view thereof;

FIG. 5 is a right side elevational view thereof;

FIG. 6 is a top view thereof;

FIG. 7 is a bottom view thereof; and,

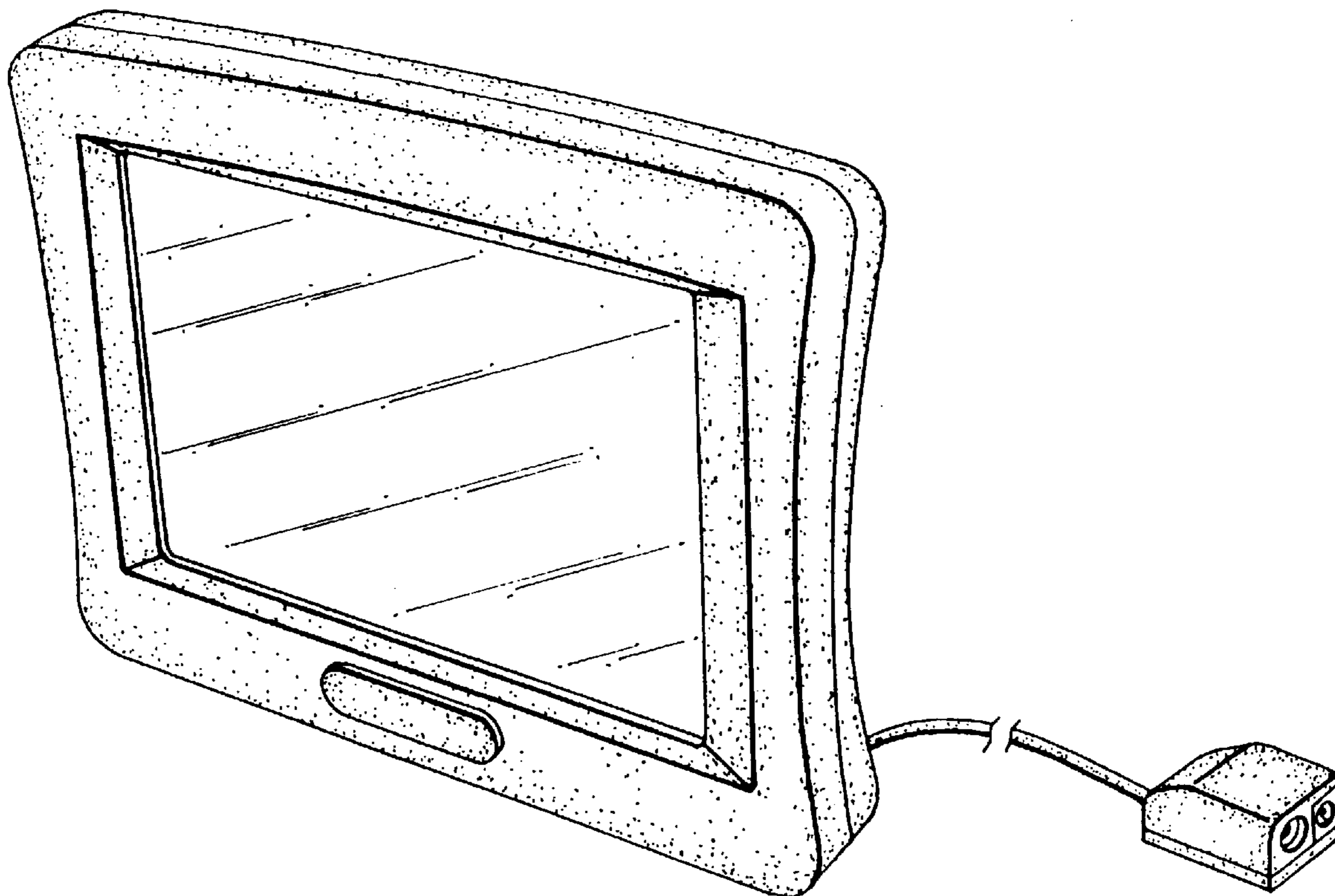
FIG. 8 is a perspective view showing operation of the liquid crystal display the cord is shown broken away to indicate an indeterminate length.

[56] References Cited

U.S. PATENT DOCUMENTS

- D. 358,177 5/1995 Imai et al. D20/42
- D. 363,468 10/1995 Miki et al. D14/100

1 Claim, 6 Drawing Sheets



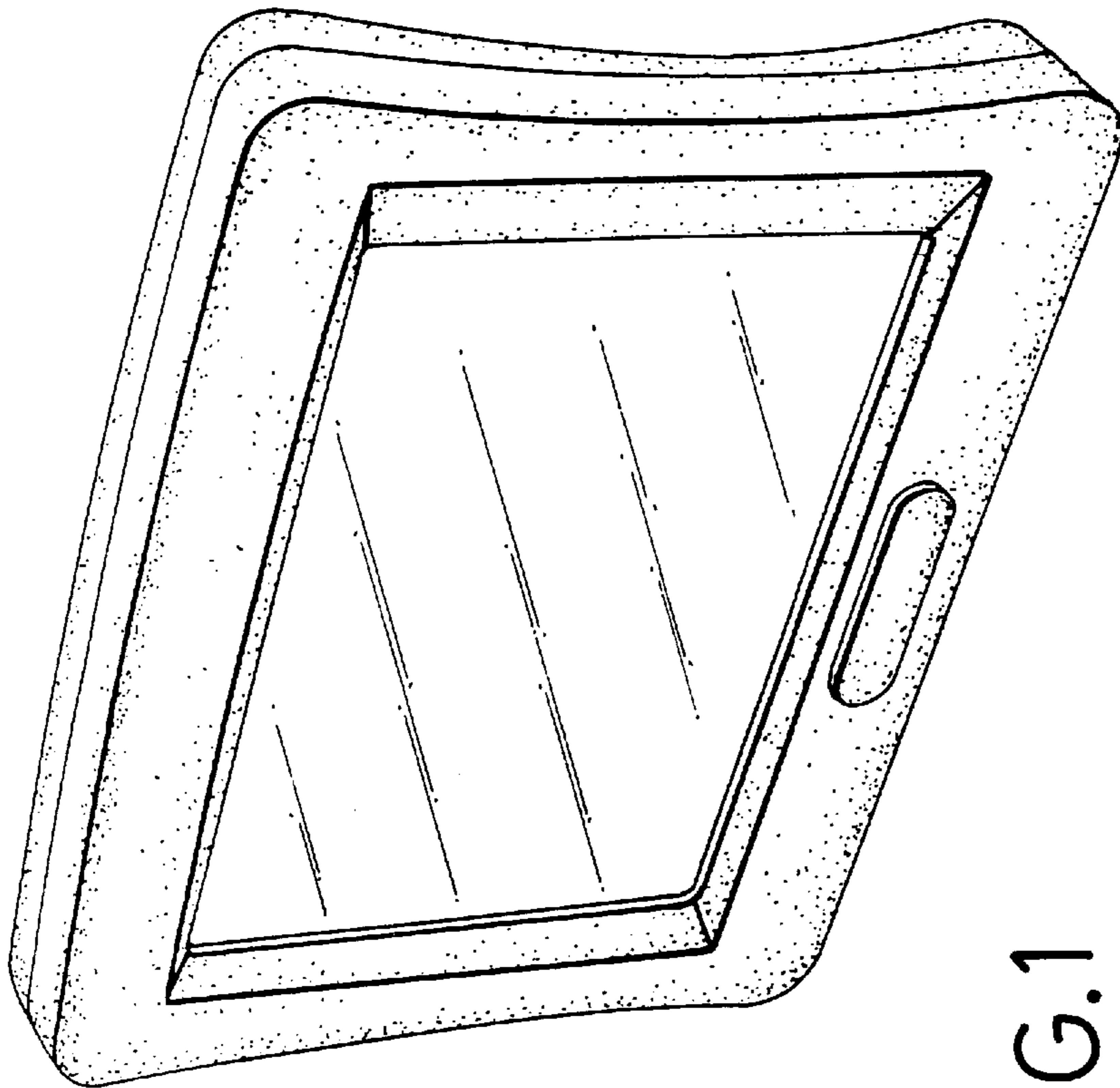


FIG.1

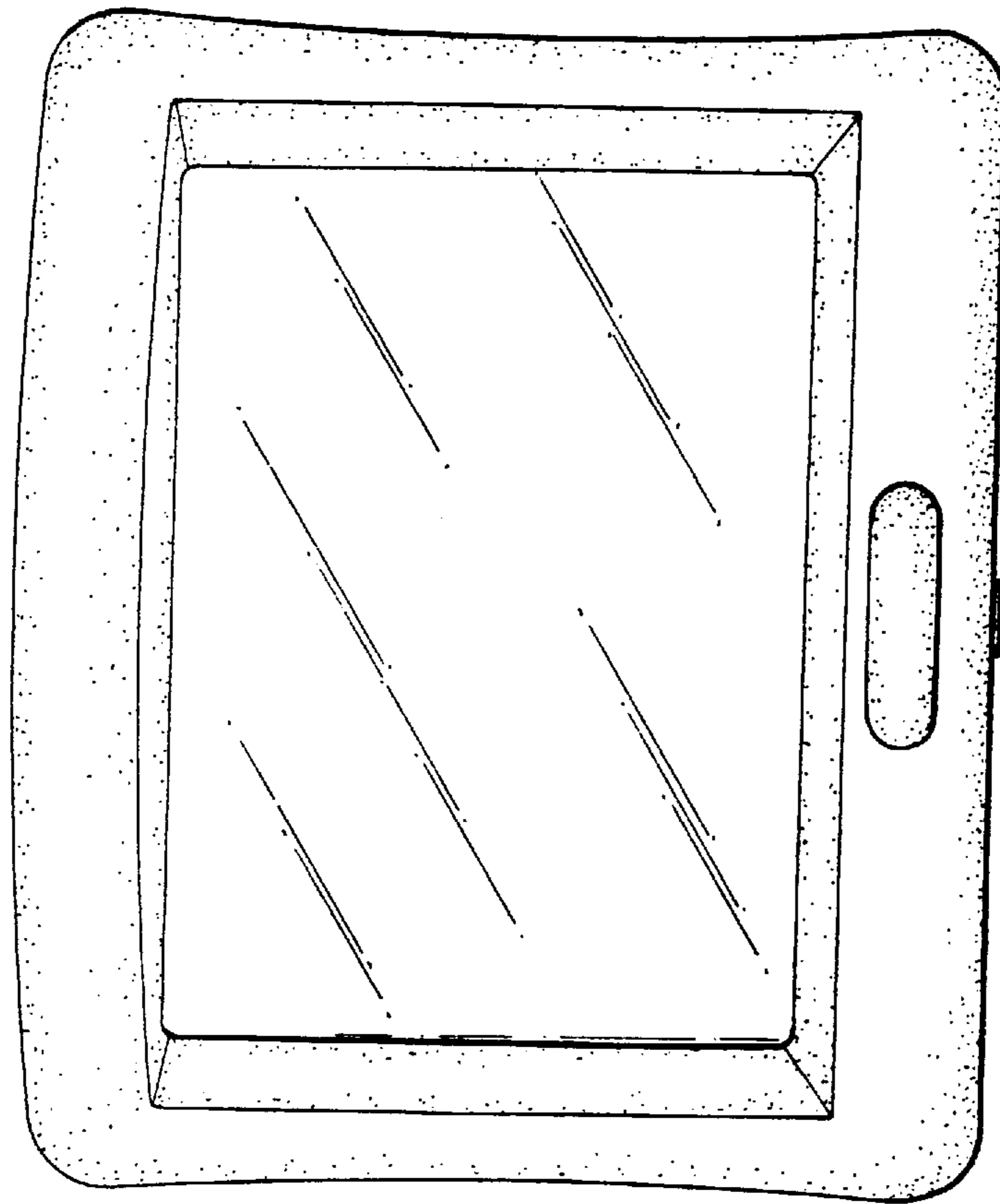


FIG. 2

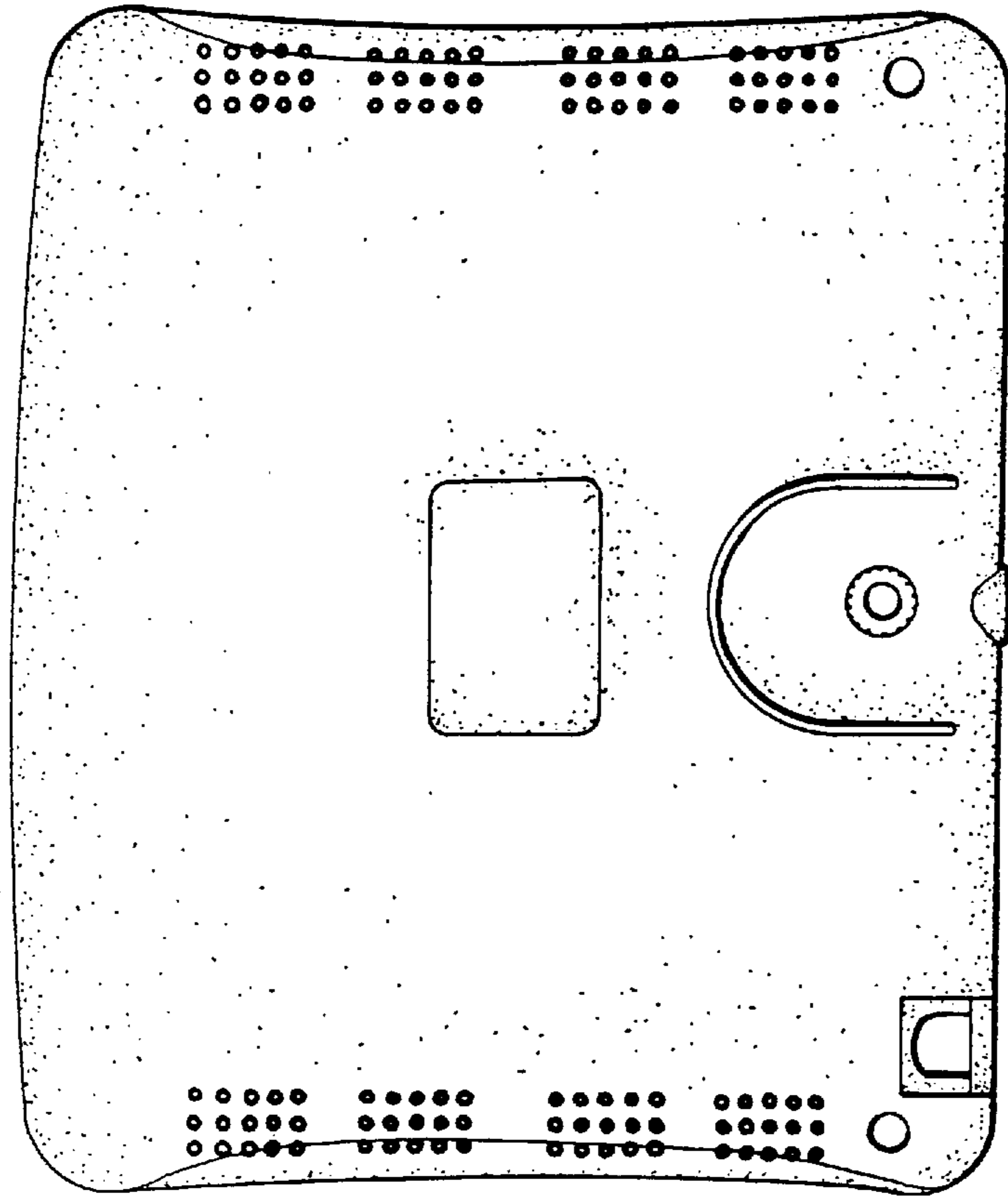


FIG. 3



FIG. 5

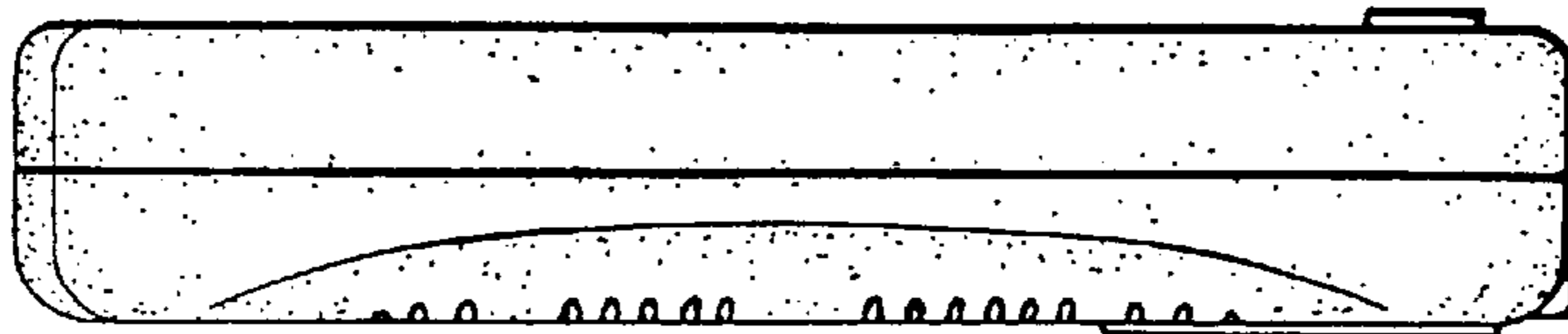


FIG. 4

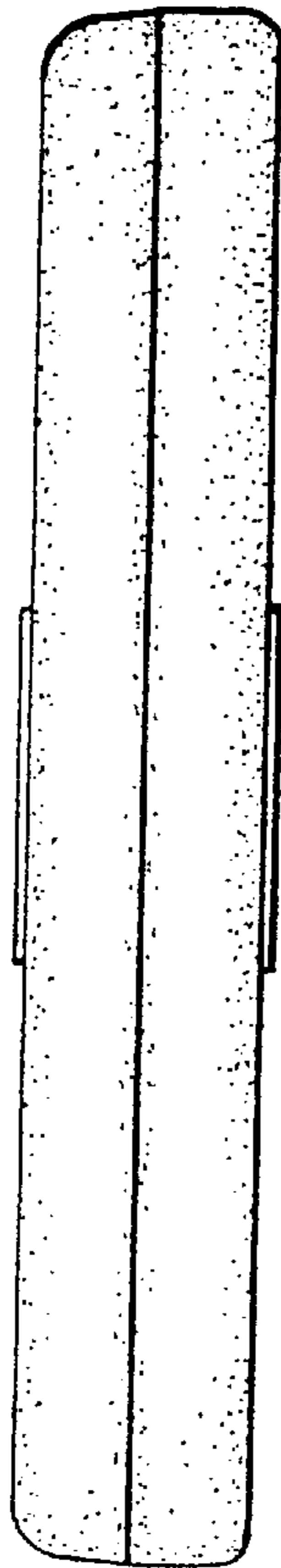


FIG. 6

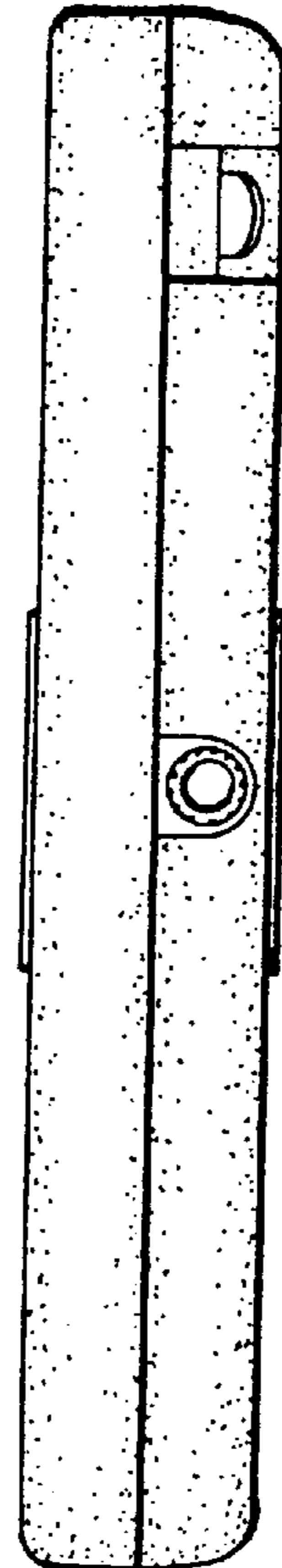


FIG. 7

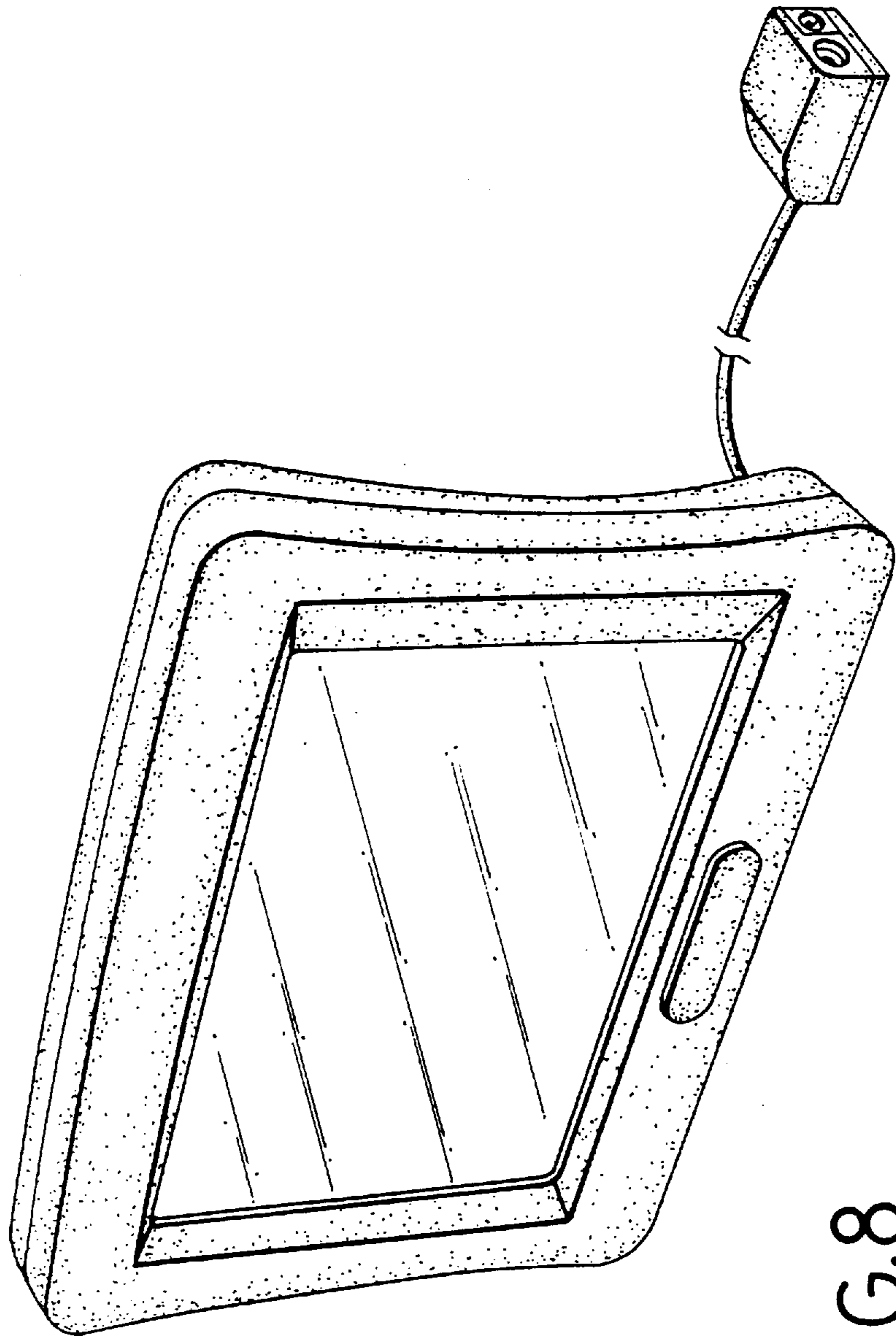


FIG. 8