



US00D407380S

**United States Patent** [19]  
**Hikita**

[11] **Patent Number: Des. 407,380**  
[45] **Date of Patent: \*\*Mar. 30, 1999**

[54] **TAPE MOUNTED HEATSINK PACKAGE FOR ELECTRONIC PARTS**

[75] Inventor: **Fumihiko Hikita**, Kawagoe, Japan

[73] Assignee: **Kyoshin Kyogo Co., Ltd.**, Tokyo, Japan

[\*\*] Term: **14 Years**

[21] Appl. No.: **80,594**

[22] Filed: **Oct. 1, 1997**

[30] **Foreign Application Priority Data**

Jun. 10, 1997 [JP] Japan ..... 9-57415

[51] **LOC (6) Cl.** ..... **13-03**

[52] **U.S. Cl.** ..... **D13/179**

[58] **Field of Search** ..... D13/179; 174/15.1, 174/16.3; 165/80.3, 185

[56] **References Cited**

**U.S. PATENT DOCUMENTS**

- D. 301,334 5/1989 Dupasquier et al. .... D13/179
- D. 361,986 9/1995 Harmon ..... D13/179
- 4,872,505 10/1989 Jones et al. .... 165/80.3

*Primary Examiner*—Brian N. Vinson

[57] **CLAIM**

The ornamental design for a tape mounted heatsink package for electronic parts, as shown and described.

**DESCRIPTION**

FIG. 1 is a top plan view of a tape mounted heatsink package for electronic parts showing my new design;  
 FIG. 2 is a front elevational view thereof;  
 FIG. 3 is a bottom plan view thereof;  
 FIG. 4 is a rear elevational view thereof;  
 FIG. 5 is a left side elevational view thereof, the right side elevational view being mirror image;  
 FIG. 6 is a sectional view thereof, taken along line VI—VI in FIG. 2;  
 FIG. 7 is a sectional view thereof, taken along line VII—VII in FIG. 2; and,  
 FIG. 8 is a top, front, and left side perspective view thereof, showing a pair of the heatsinks detached from the tape strip and mounted on an electronic circuit board assembly shown in broken-lines to indicate that it is not intended to form part of the claimed design.  
 The claimed design is shown broken-away in the views to indicate indeterminate length, it being understood that the heat sink elements are continuous throughout the entire length of the packaging.

**1 Claim, 4 Drawing Sheets**

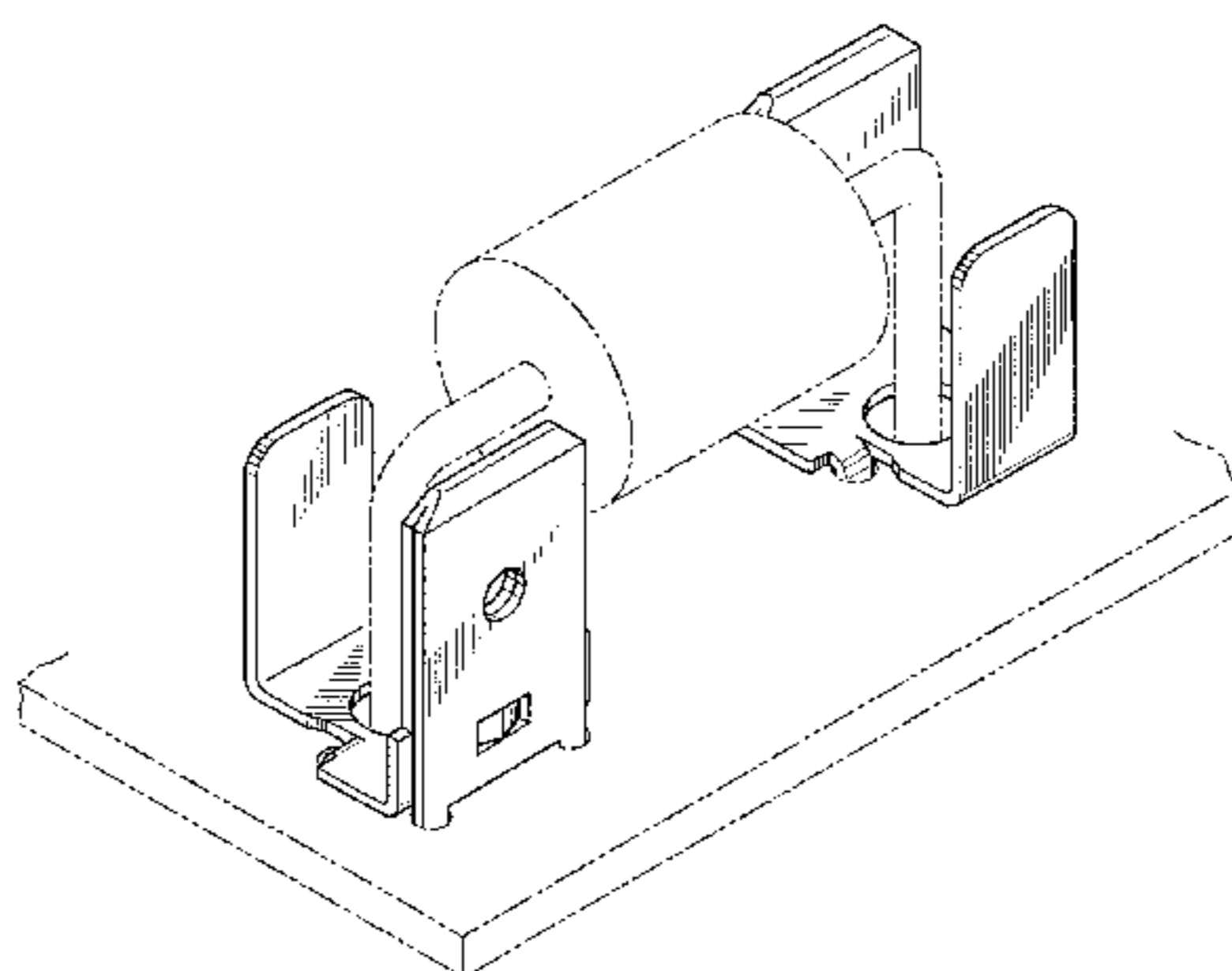
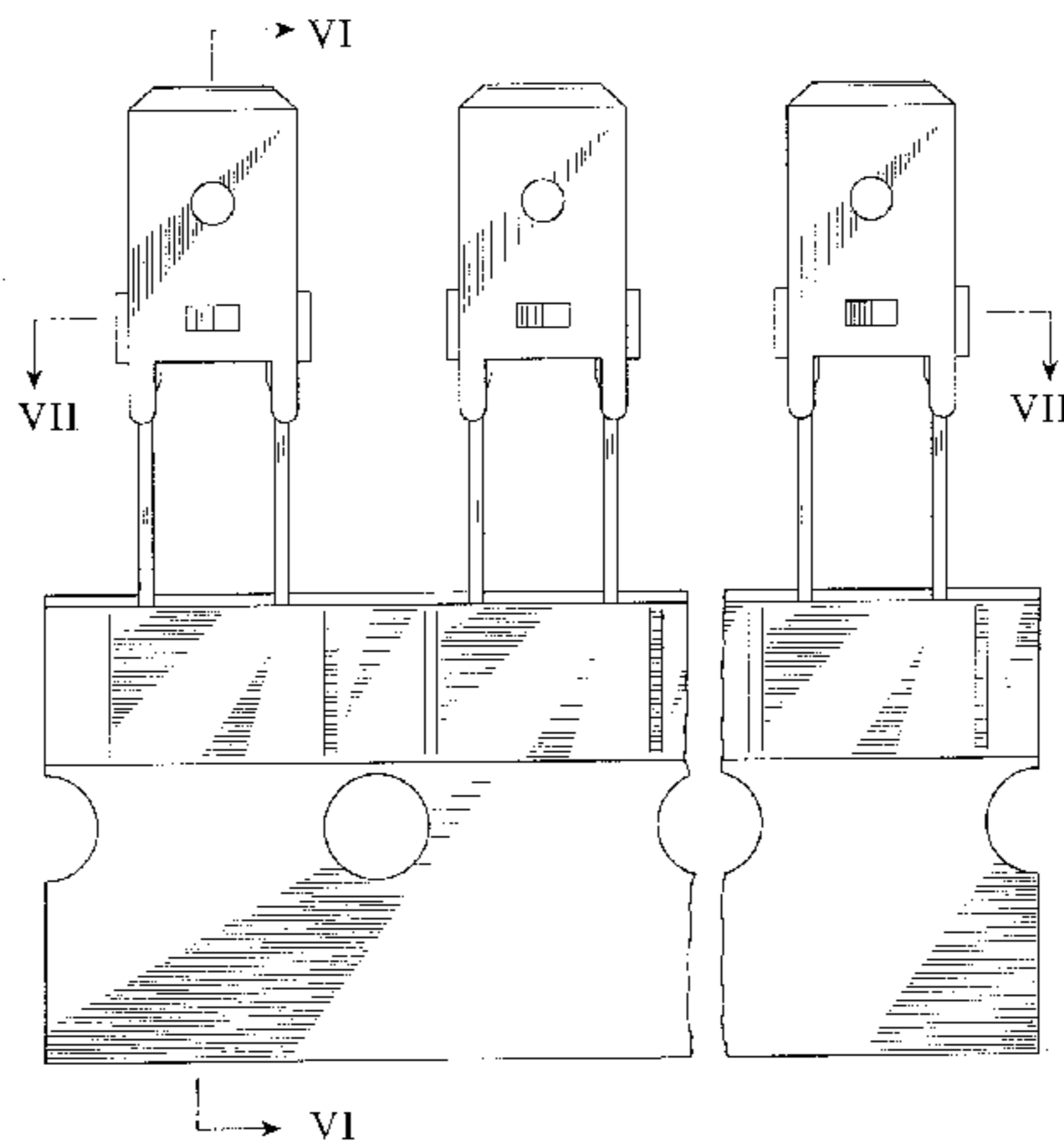
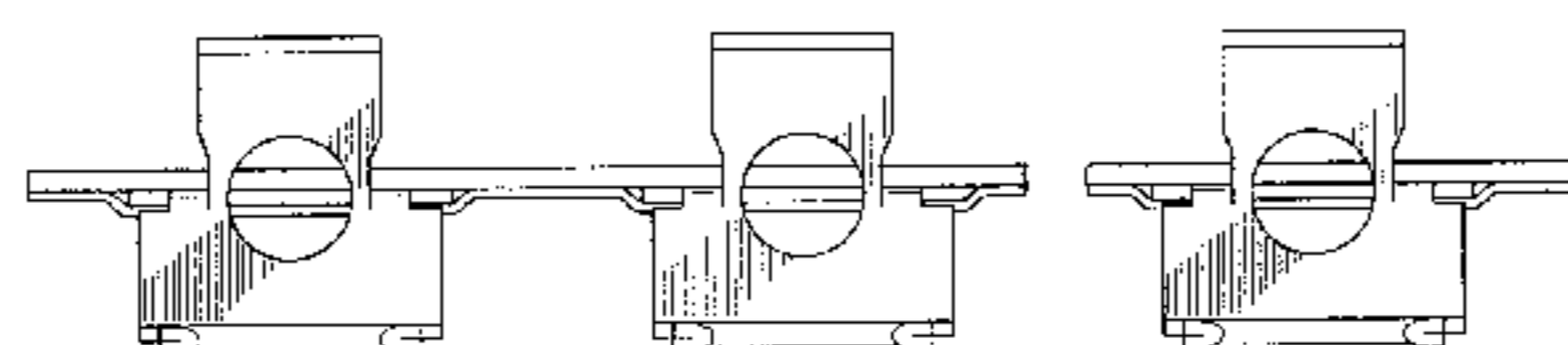


FIG. 1

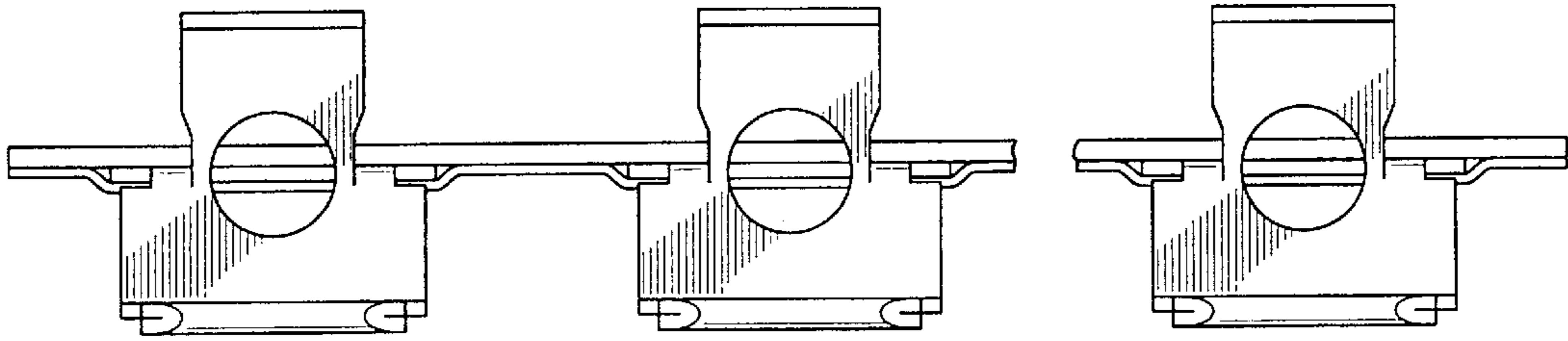


FIG. 2

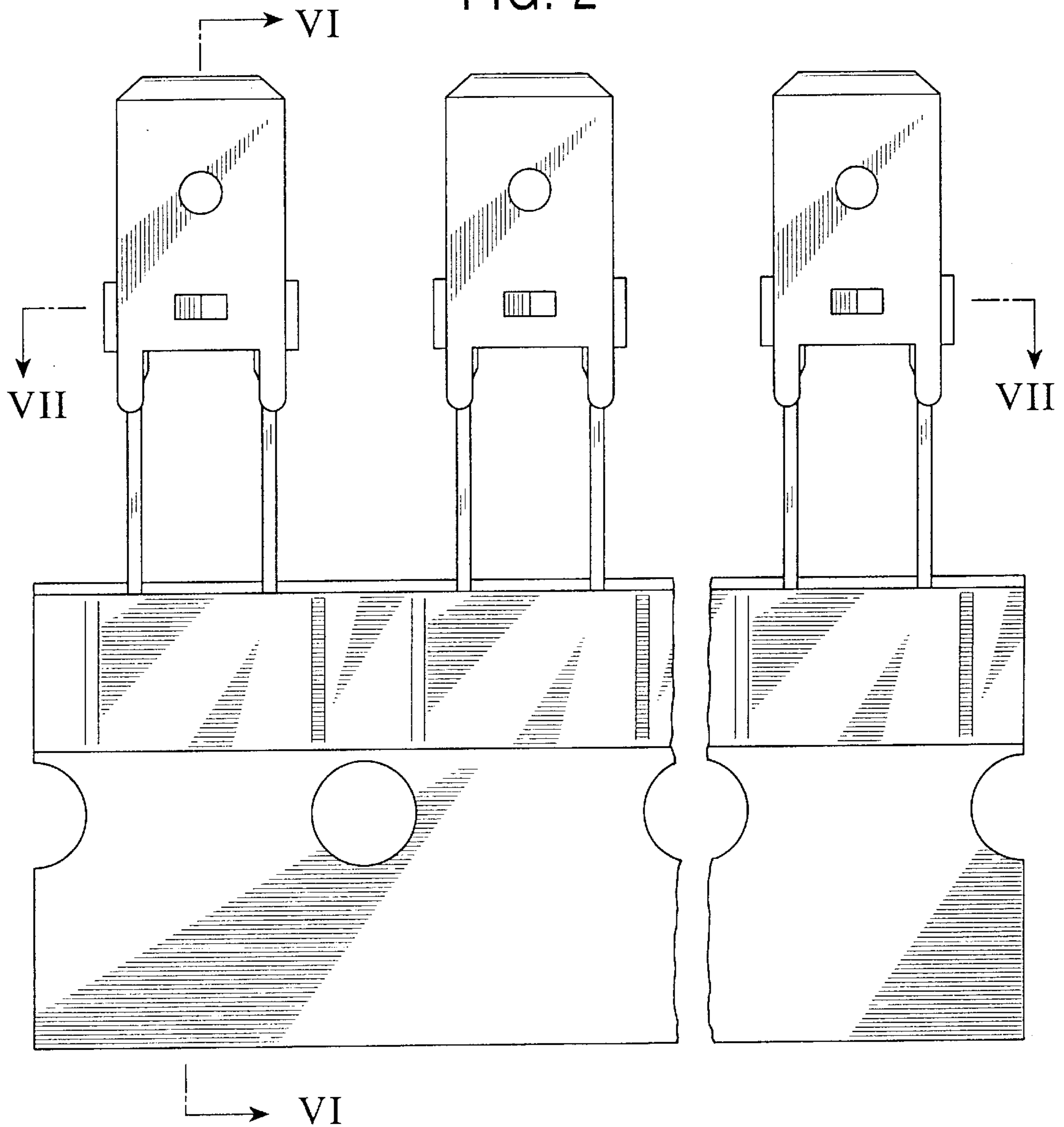


FIG. 3

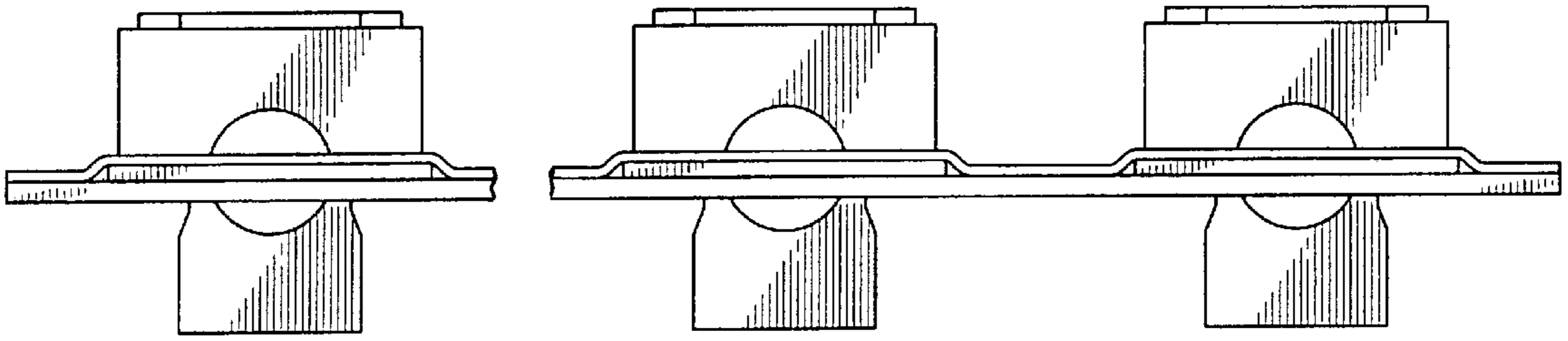


FIG. 4

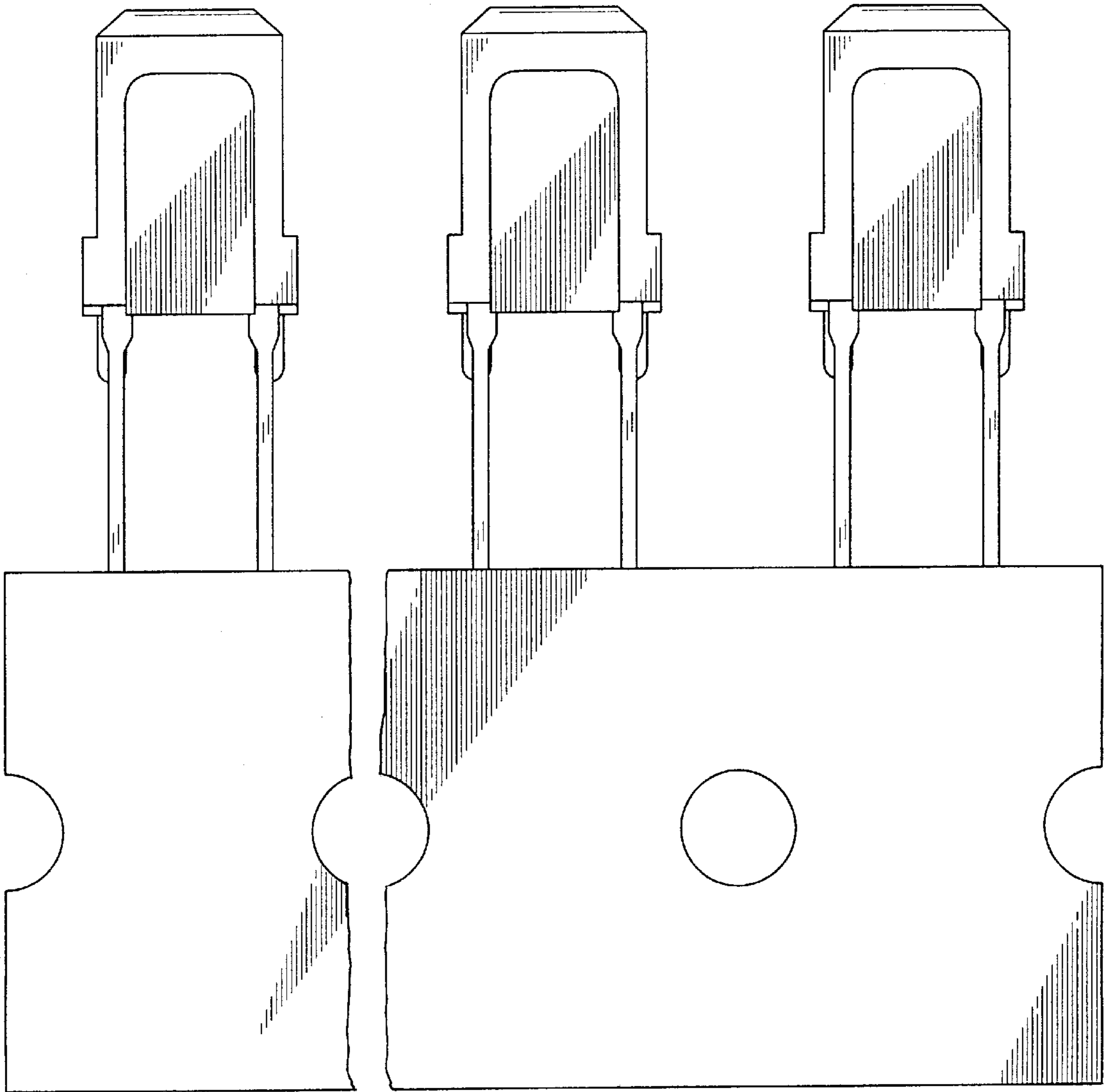


FIG. 5

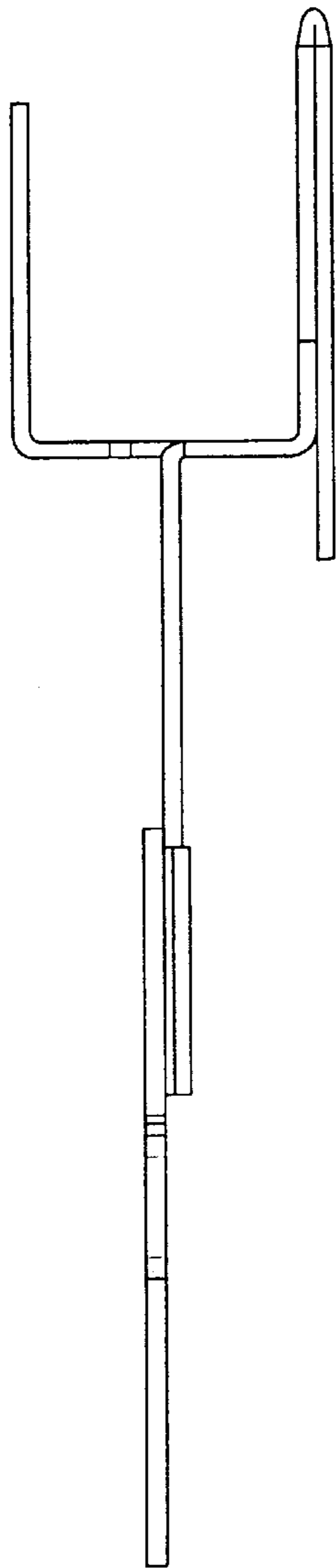


FIG. 6

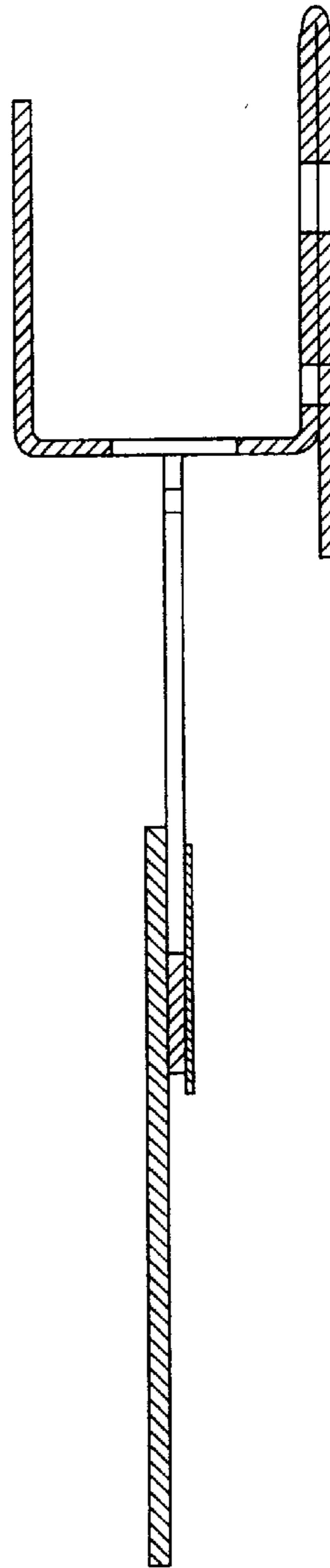


FIG. 7

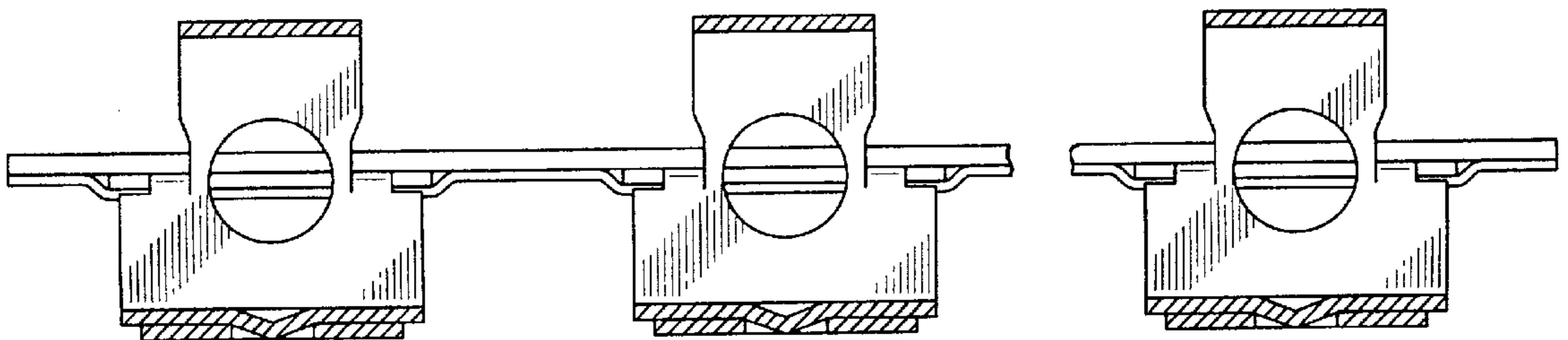


FIG. 8

