



US00D407379S

United States Patent [19] Schwaegerle

[11] **Patent Number: Des. 407,379**

[45] **Date of Patent: **Mar. 30, 1999**

[54] **ELECTRIC FOOT SWITCH**

2443357 4/1975 Germany .

[75] Inventor: **Gary G. Schwaegerle**, Cincinnati, Ohio

OTHER PUBLICATIONS

[73] Assignee: **Reliance Medical Products, Inc.**,
Mason, Ohio

Reliance Medical Products, Inc., 7000, *Flexibility for Examinations or Minor Procedures*, Brochure, 1994.

Reliance Medical Products, Inc., 980, *The Chair That's a World Power*, Brochure, 1993.

[**] Term: **14 Years**

Primary Examiner—Brian N. Vinson

Attorney, Agent, or Firm—Wood, Herron & Evans, L.L.P.

[21] Appl. No.: **84,824**

[22] Filed: **Mar. 11, 1998**

[57] CLAIM

[51] **LOC (6) Cl.** **13-03**

The ornamental design for an electric foot switch, as shown and described.

[52] **U.S. Cl.** **D13/167**

[58] **Field of Search** D13/167; 200/52 R,
200/61.09, 86.5, 61.89

DESCRIPTION

[56] References Cited

U.S. PATENT DOCUMENTS

D. 193,553	9/1962	Collins	D26/13
D. 342,720	12/1993	Phleps et al.	D13/167
D. 379,349	5/1997	Nichols et al.	D13/167
D. 380,448	7/1997	Tung	D13/167
D. 391,923	3/1998	Tracey	D13/167
D. 398,290	9/1998	McClintock	D13/167
4,021,630	5/1977	Taylor	200/159
4,172,217	10/1979	Miller	200/86.5
4,249,044	2/1981	Larson	200/5
4,345,119	8/1982	Latasiewicz	200/5
4,385,215	5/1983	Lemberg	200/5
4,528,431	7/1985	Coleman, III	200/67
4,558,194	12/1985	Wiblin	200/61.89
5,319,996	6/1994	Harris	74/560
5,467,002	11/1995	Brooks	318/553
5,562,691	10/1996	Tano et al.	606/166
5,597,067	1/1997	Yoneyama	200/344
5,603,400	2/1997	Goto et al.	200/302.3
5,712,460	1/1998	Carr et al.	200/86.5

FOREIGN PATENT DOCUMENTS

58181	9/1953	France .
2399926	3/1979	France .

FIG. 1 is a front perspective view of the electric foot switch;
FIG. 2 is a top view thereof;

FIG. 3 is a front view thereof;

FIG. 4 is a right side view thereof with the left side being a mirror image of the right side;

FIG. 5 is a rear view thereof;

FIG. 6 is a bottom view thereof;

FIG. 7 is a front perspective view of an alternative embodiment of the electric foot switch with an actuator knob and recess portion shown in broken lines;

FIG. 8 is a top view of the electric foot switch as shown in FIG. 7;

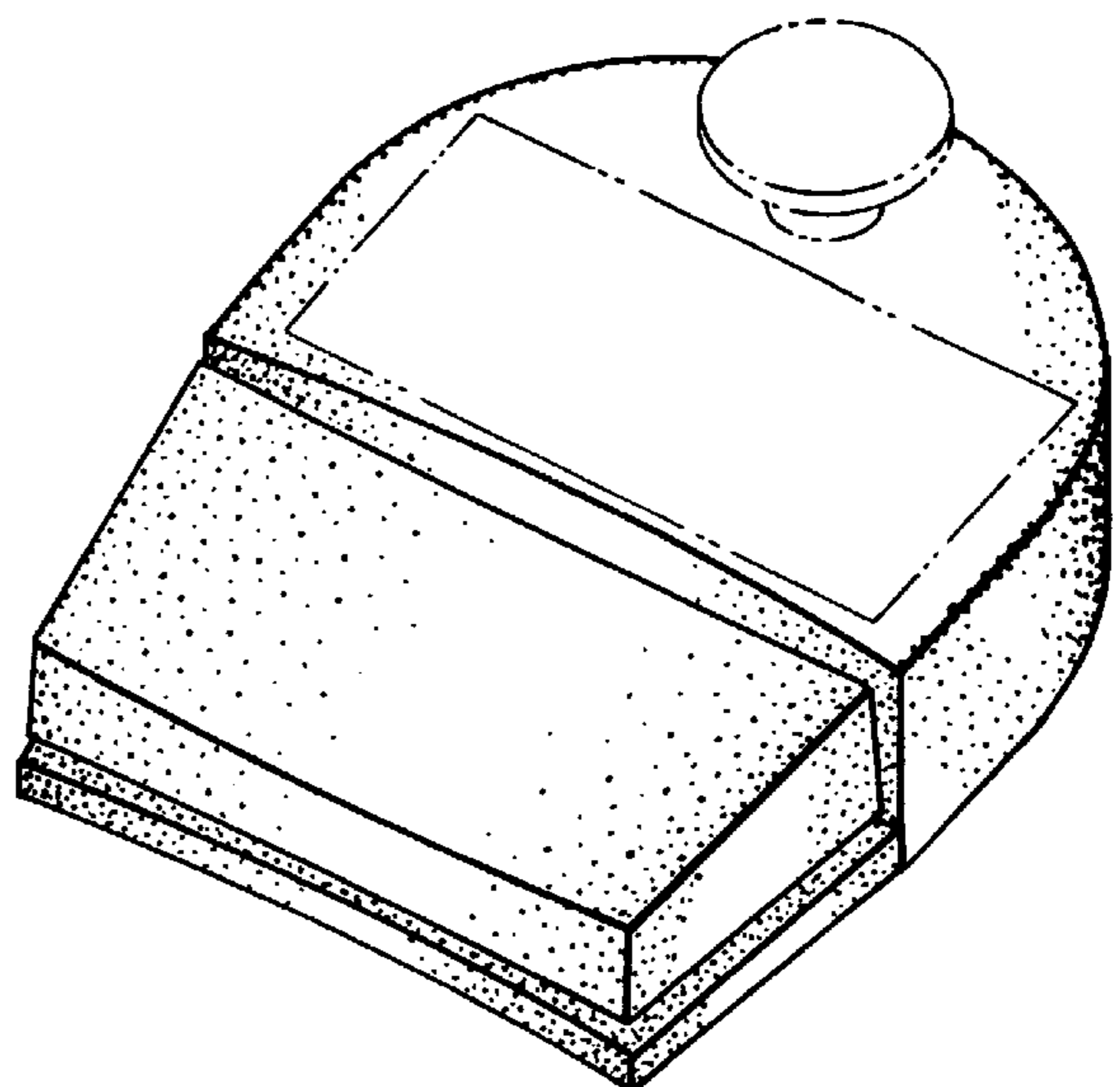
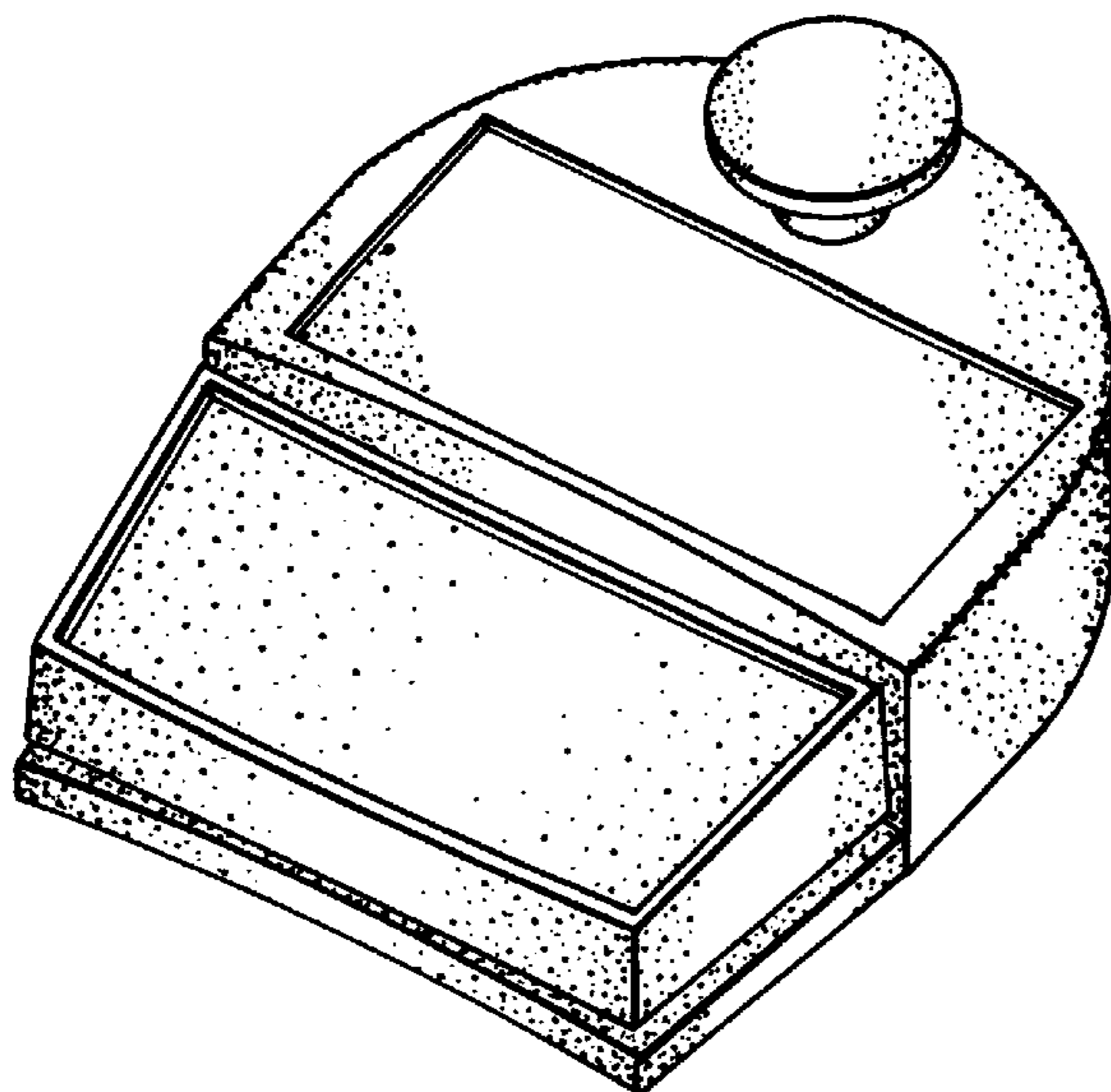
FIG. 9 is a front view of the electric foot switch as shown in FIG. 7;

FIG. 10 is a right side view of the electric foot switch as shown in FIG. 7 with the left side being a mirror image of the right side; and,

FIG. 11 is a rear view of the electric foot switch as shown in FIG. 7.

The broken line portions of FIGS. 6–11 are to show illustrative or environmental structure which forms no part of the invention as claimed in these specific figures.

1 Claim, 2 Drawing Sheets



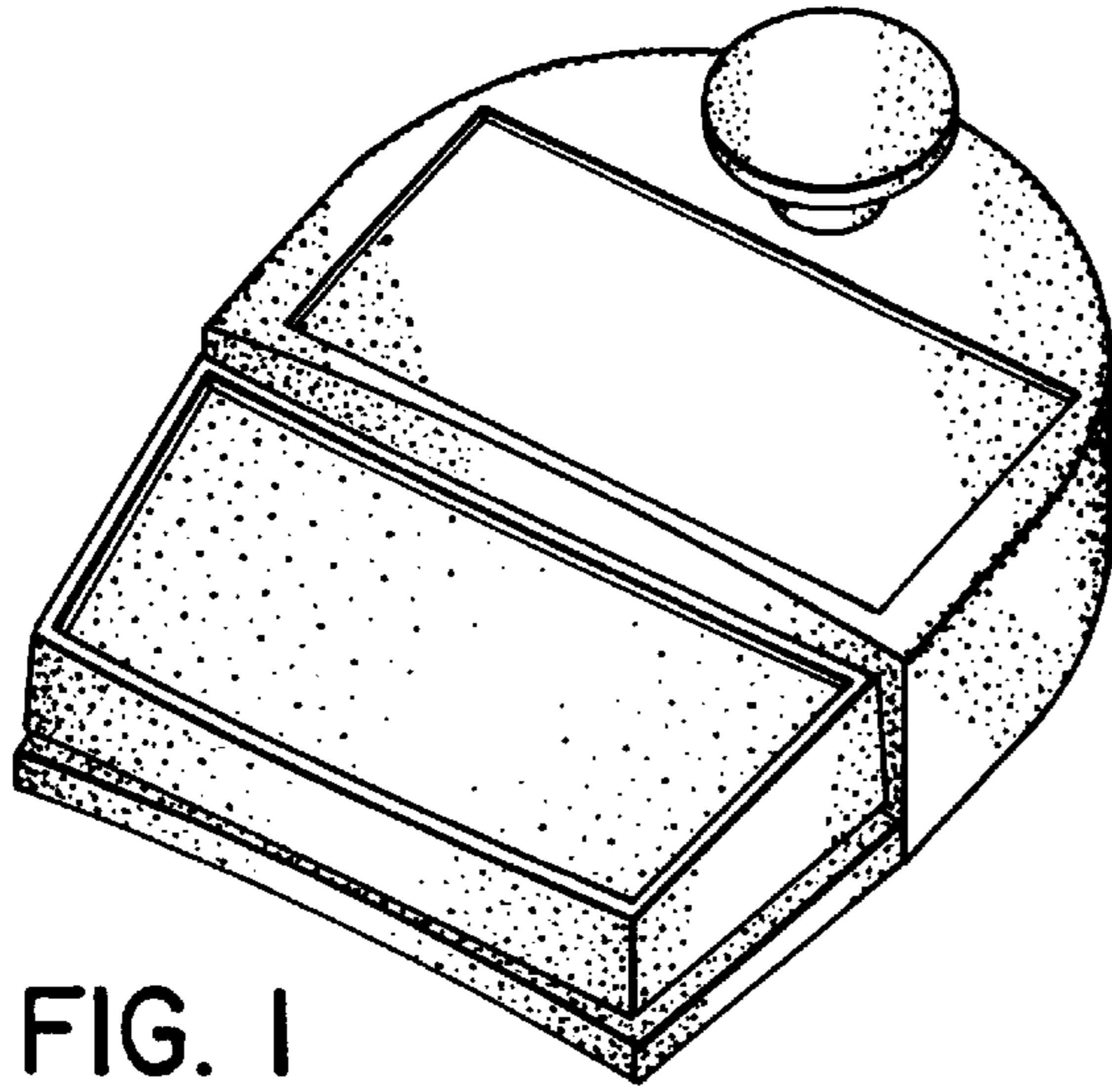


FIG. 1

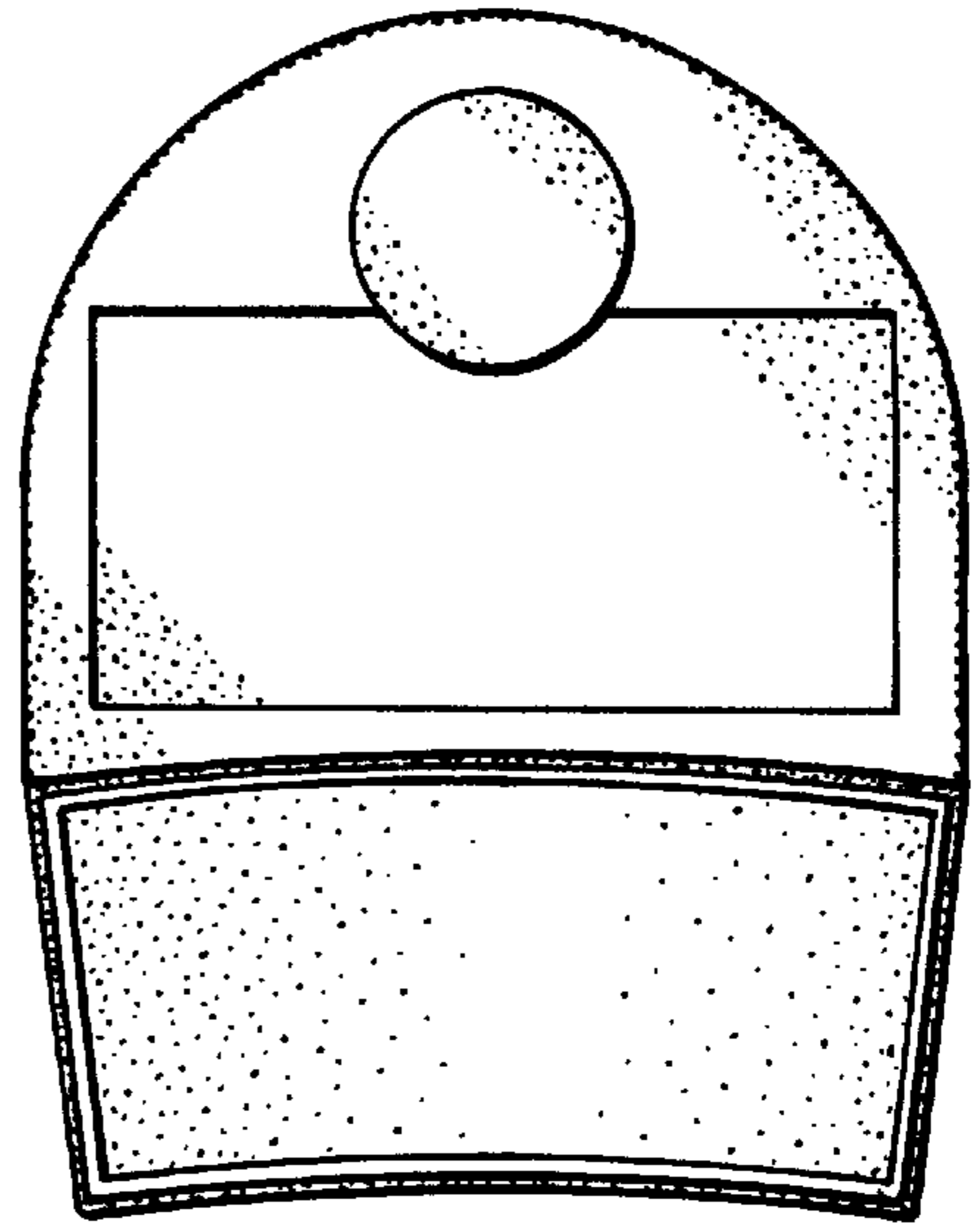


FIG. 2

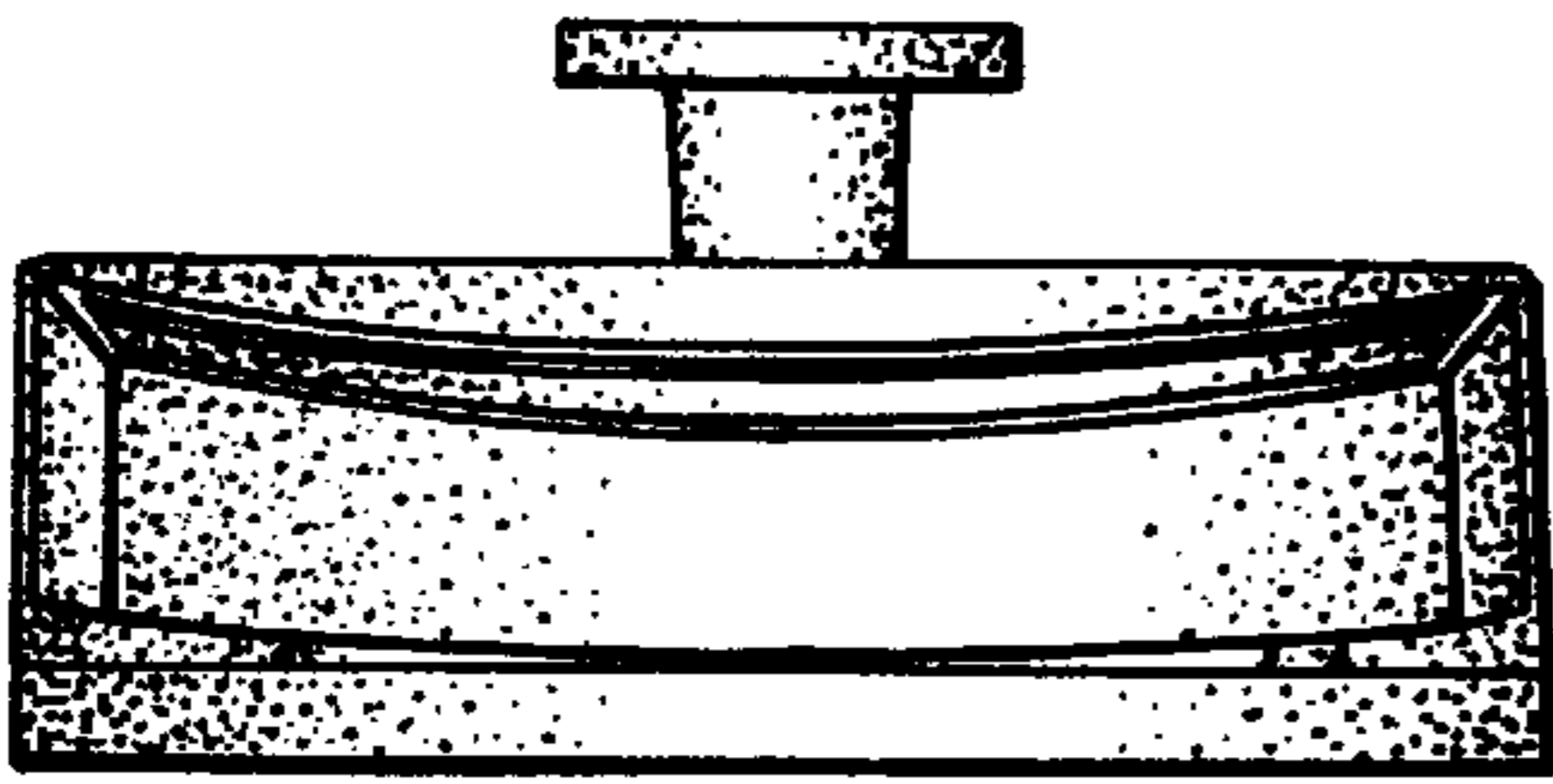


FIG. 3

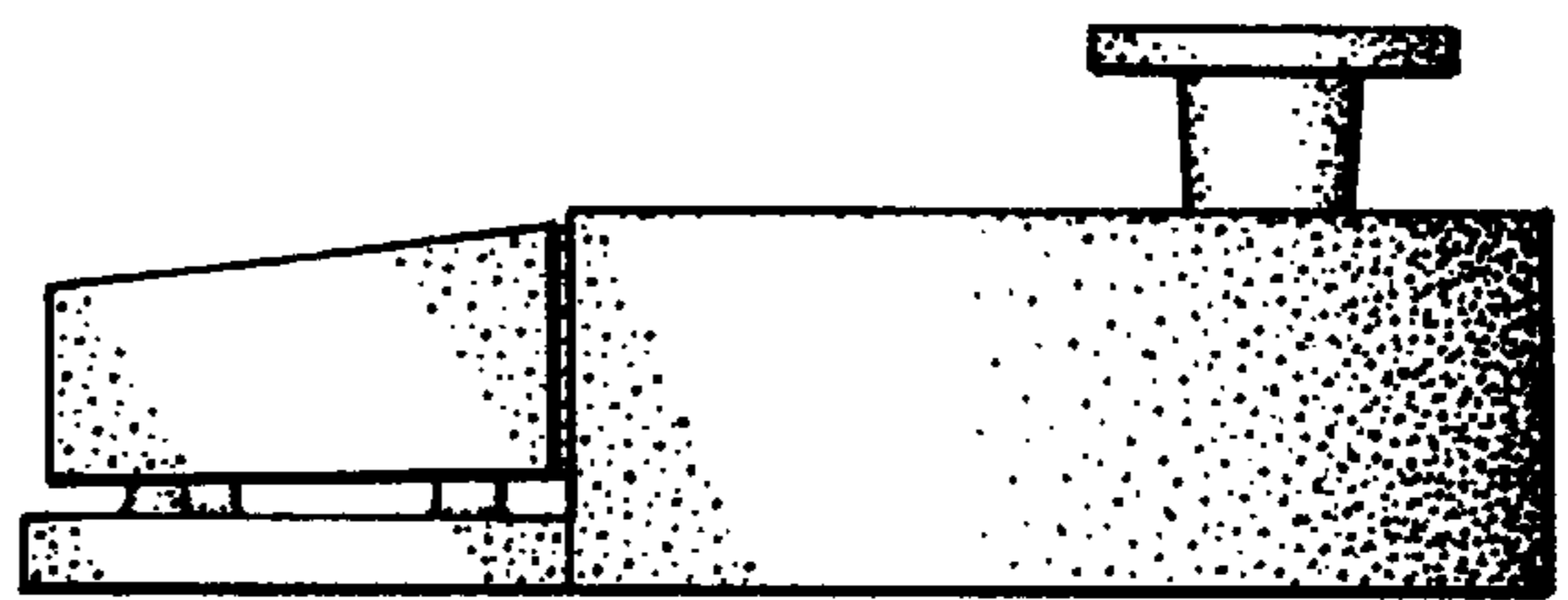


FIG. 4

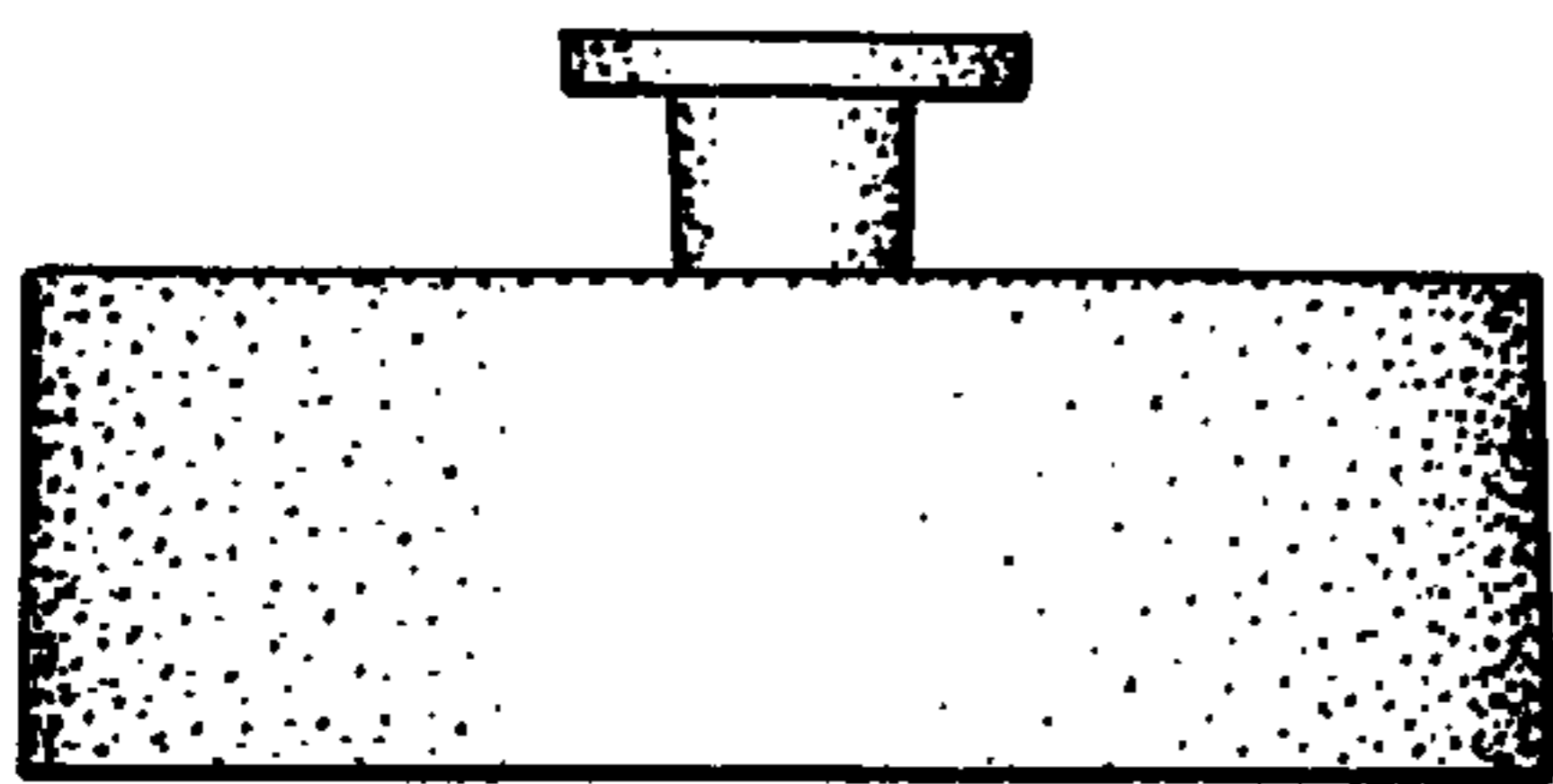


FIG. 5

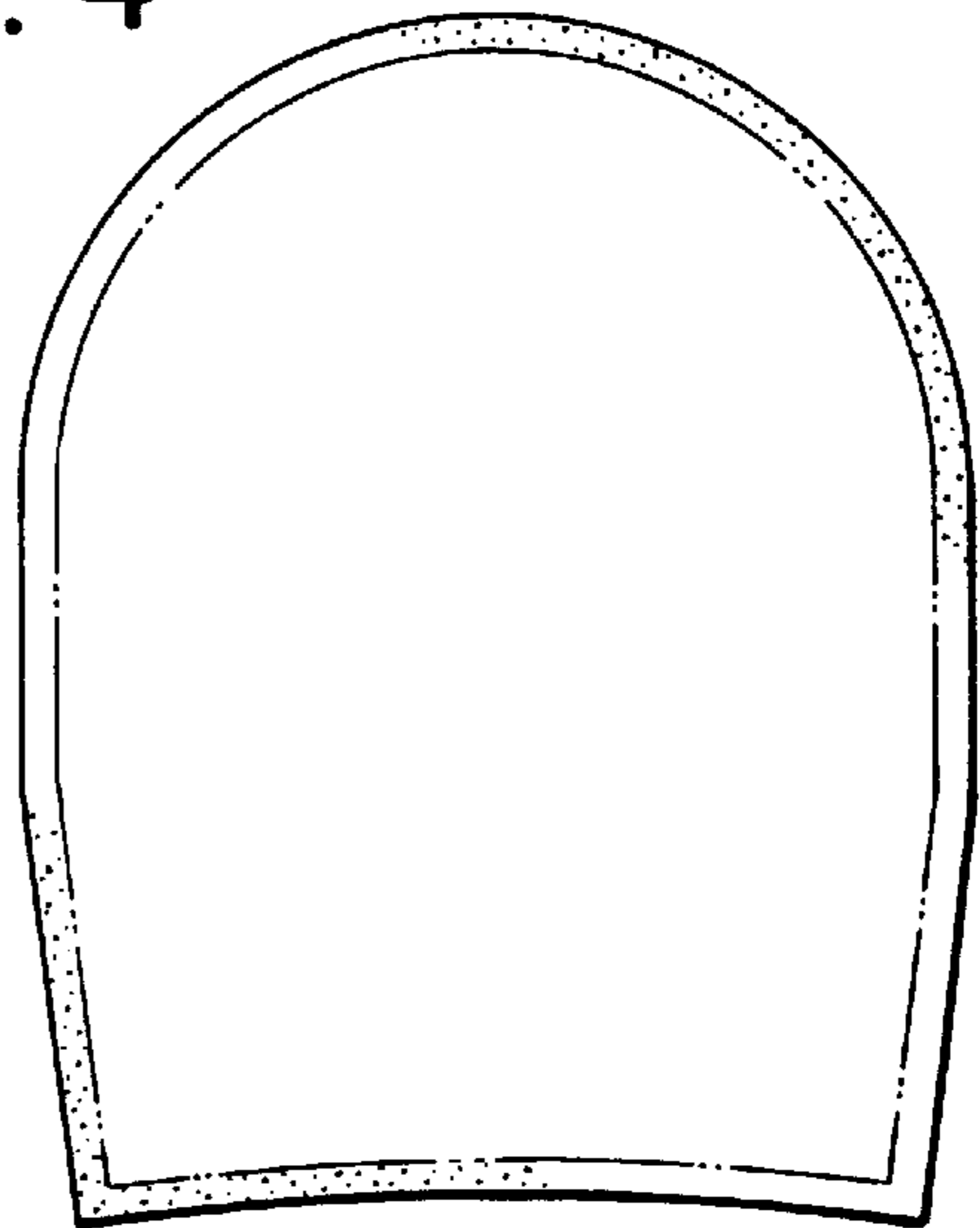


FIG. 6

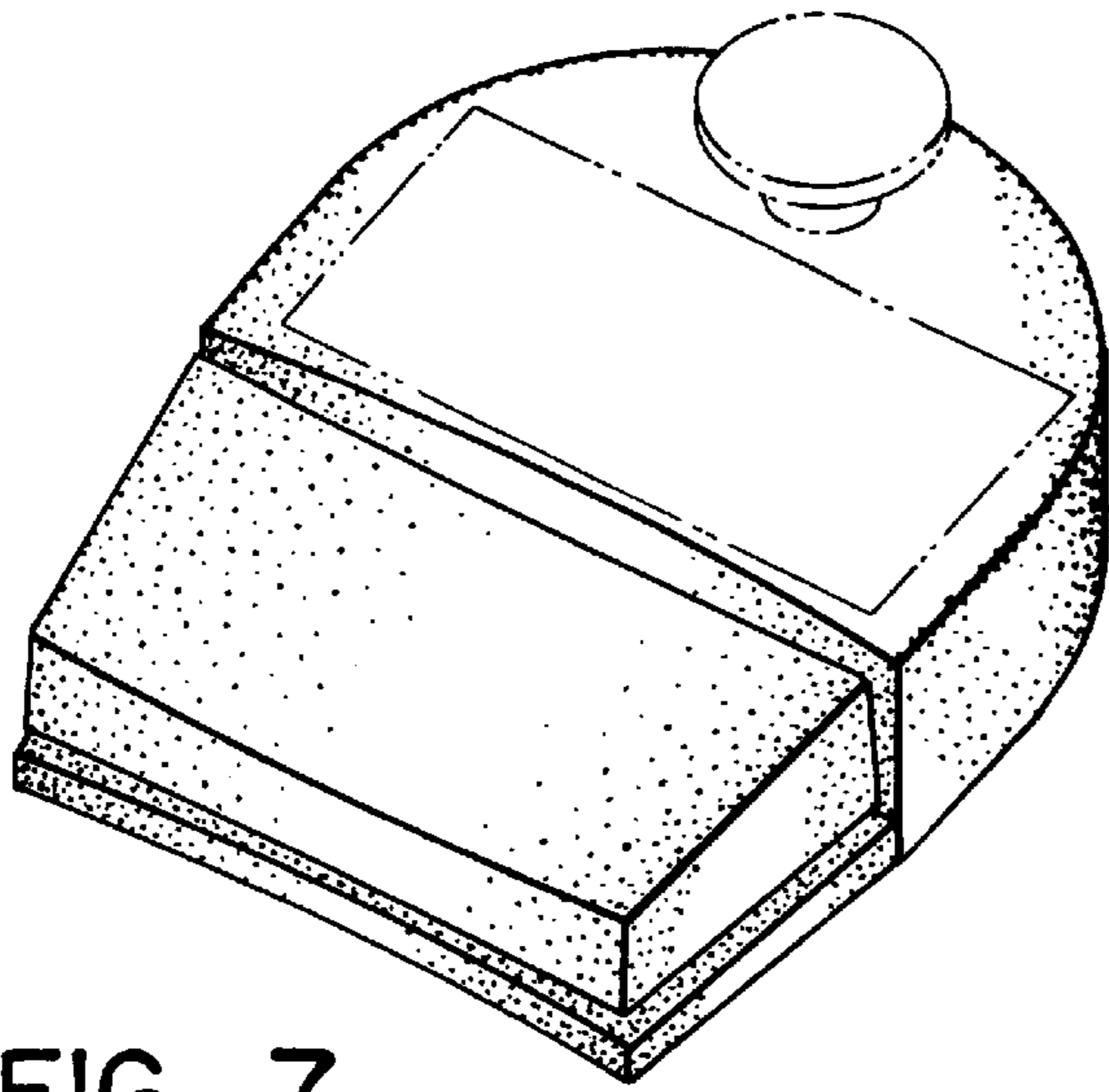


FIG. 7

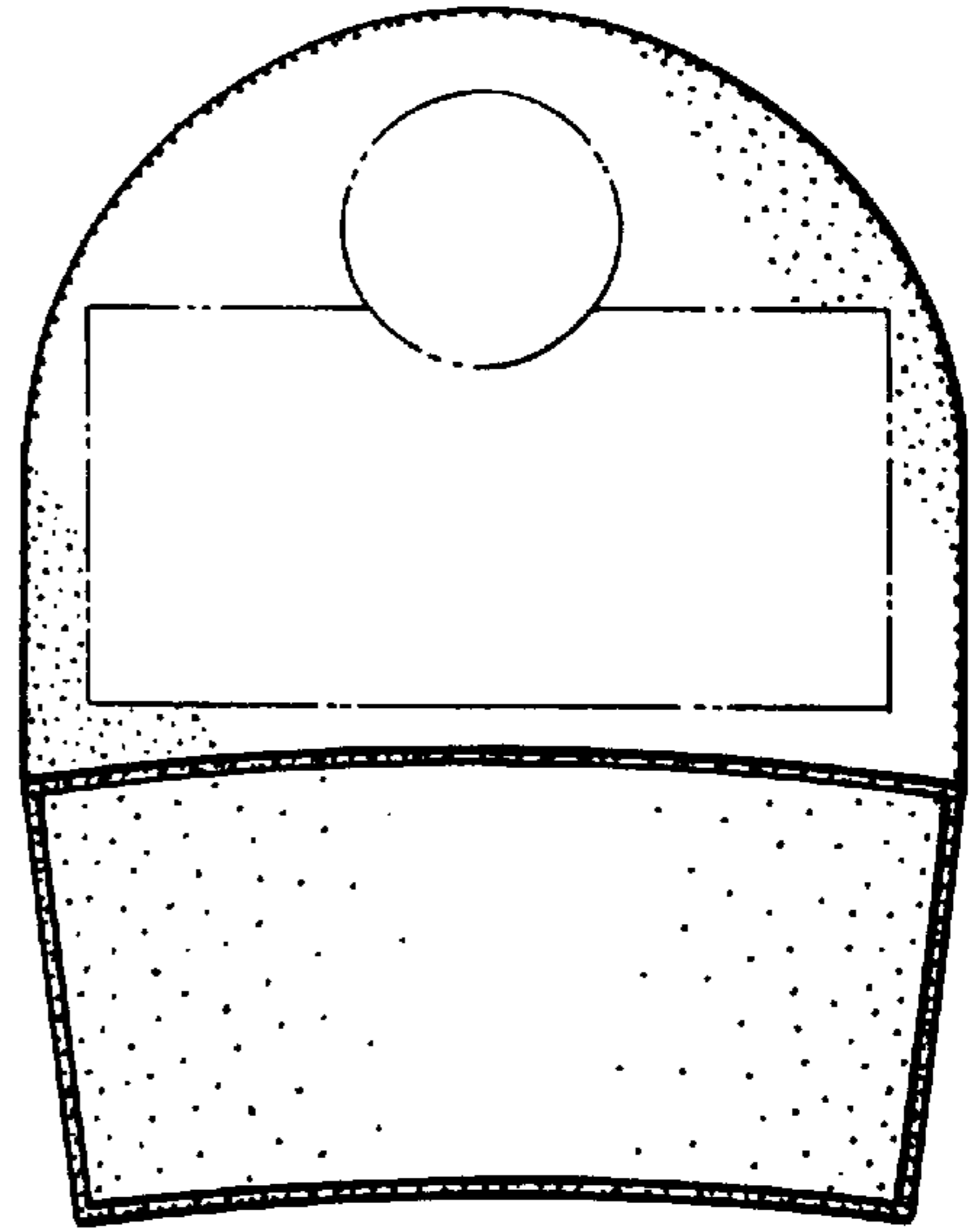


FIG. 8

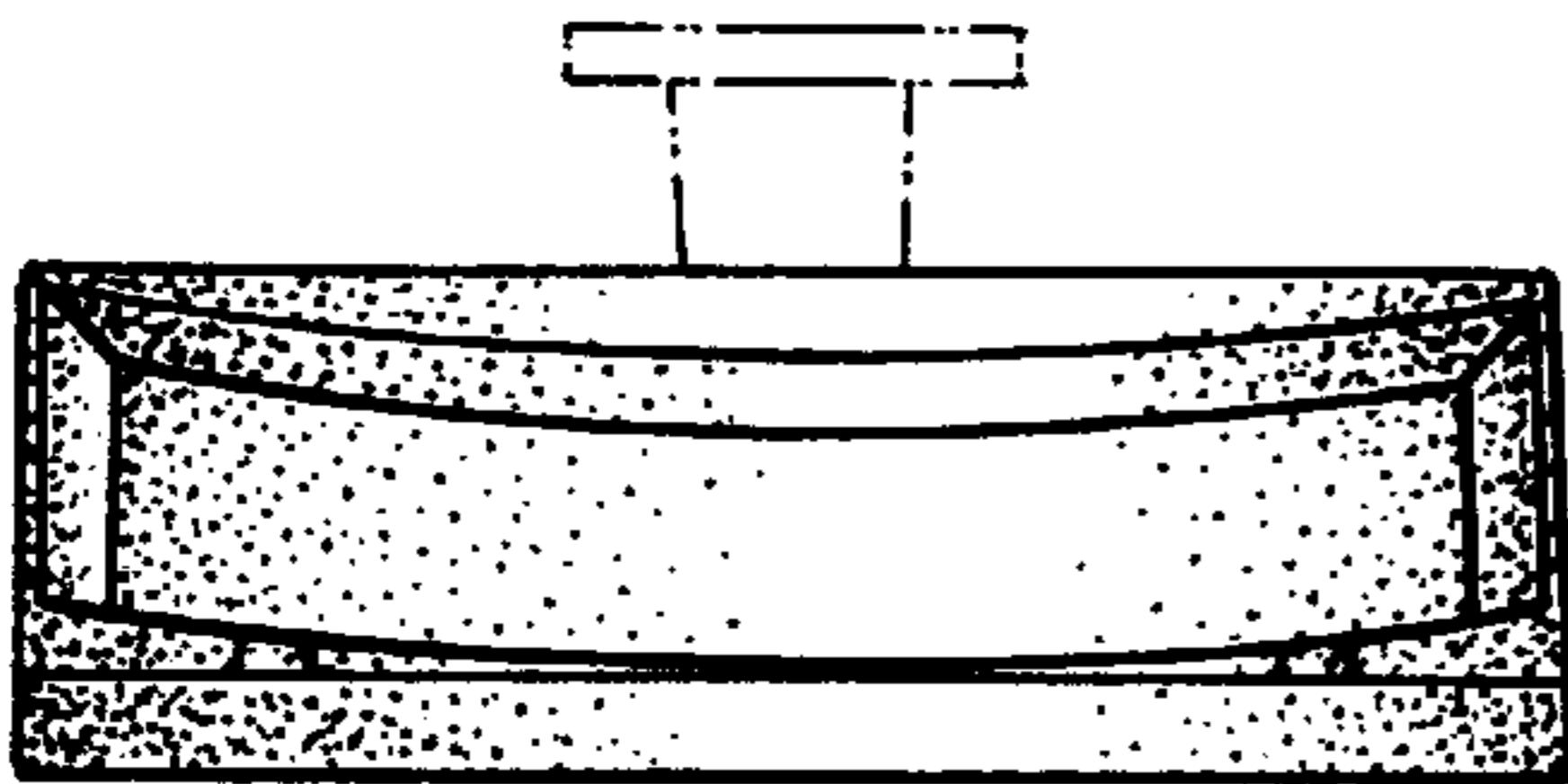


FIG. 9

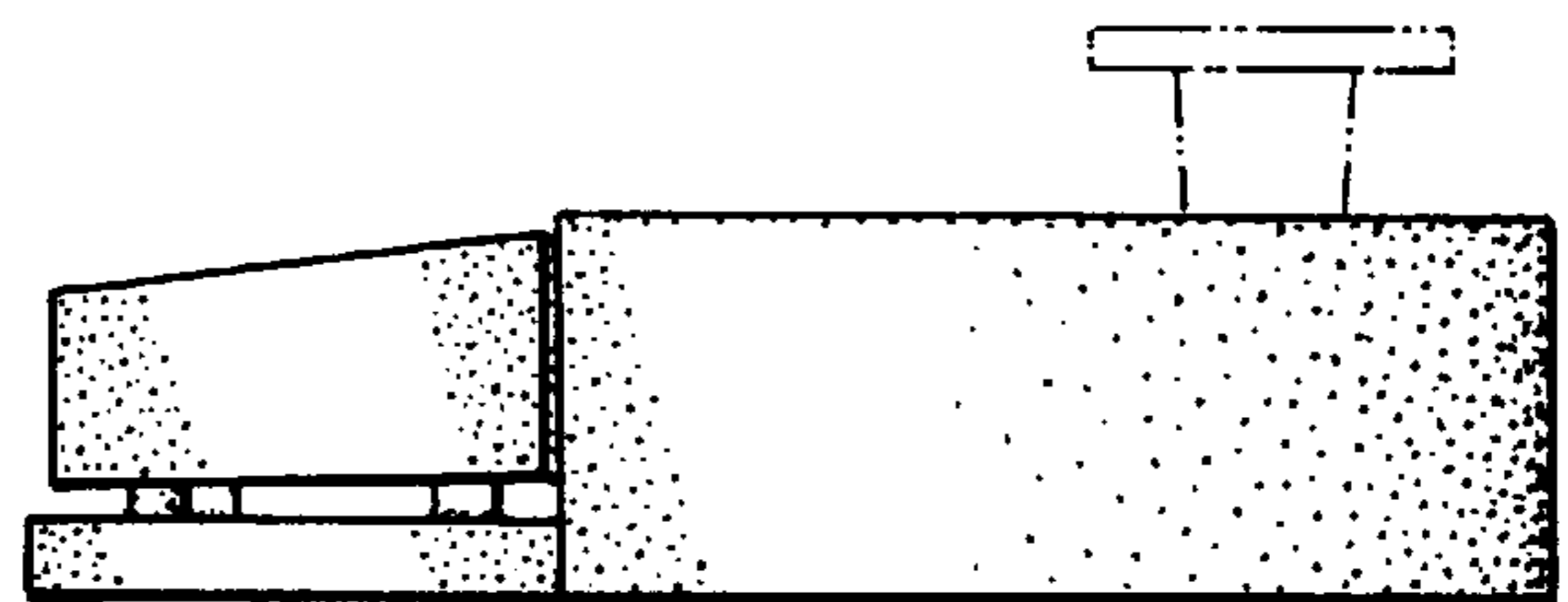


FIG. 10

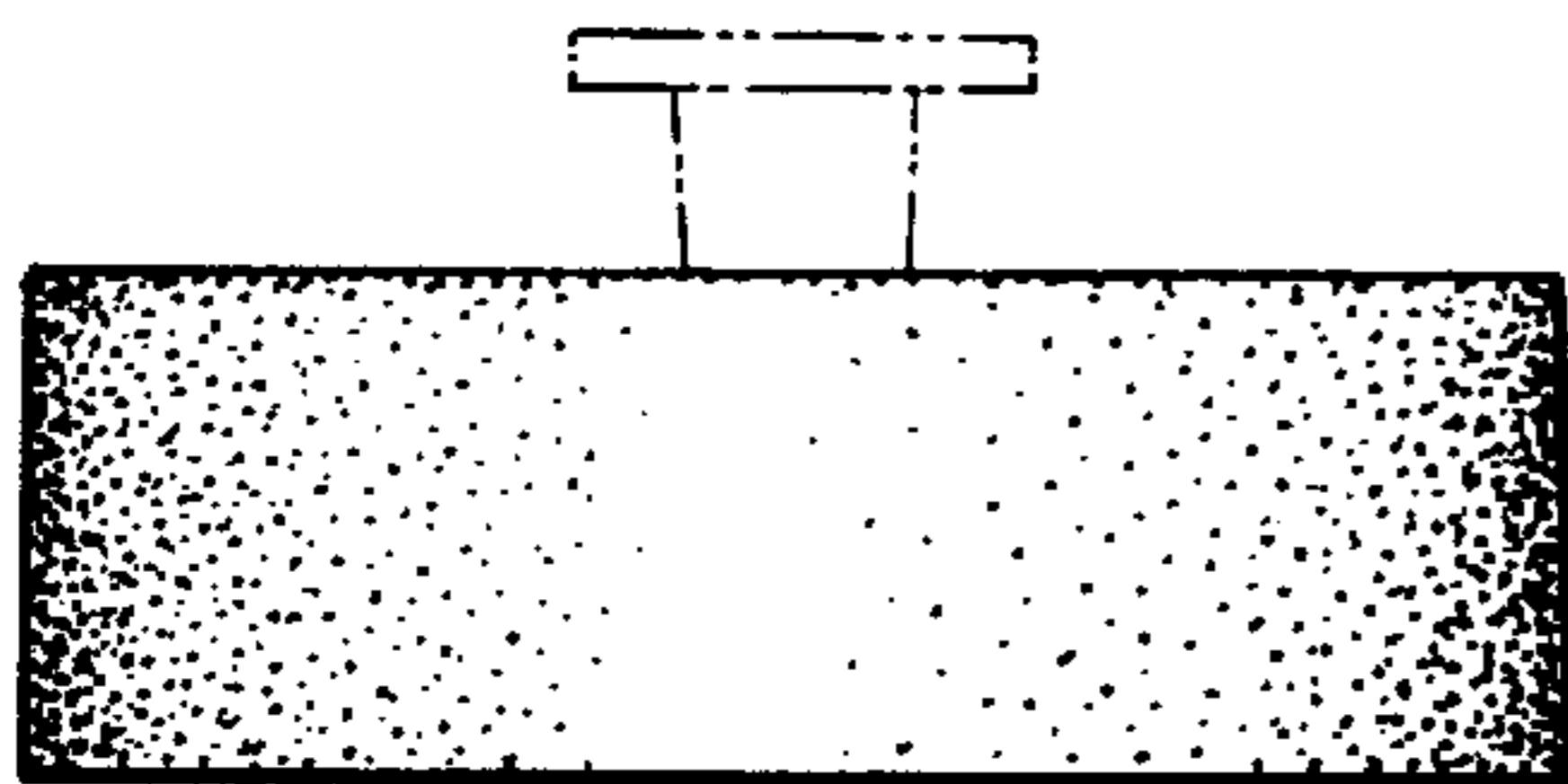


FIG. 11