



US00D407374S

United States Patent [19]
Byrne

[11] **Patent Number: Des. 407,374**
[45] **Date of Patent: **Mar. 30, 1999**

[54] **POWER CENTER WITH FOLDING COVER**

[76] Inventor: **Norman R. Byrne**, 2736 Honey Creek, NE., Ada, Mich. 49301

[**] Term: **14 Years**

[21] Appl. No.: **89,052**

[22] Filed: **Jun. 5, 1998**

[51] **LOC (6) Cl. 13-02**

[52] **U.S. Cl. D13/139.4**

[58] **Field of Search** 174/48, 55, 50, 174/56, 57, 58, 53, 49; 439/131, 535, 214, 544, 571, 620-622, 540.1; 307/18; 220/242; D13/139.1-139.8

4,551,577 11/1985 Byrne .
4,747,788 5/1988 Byrne .
4,792,881 12/1988 Wilson et al. .
4,828,513 5/1989 Morrison et al. .
4,984,982 1/1991 Brownlie et al. .
5,023,396 6/1991 Bartee et al. .
5,114,365 5/1992 Thompson et al. .
5,122,069 6/1992 Brownlie et al. .
5,230,552 7/1993 Schipper et al. .
5,231,562 7/1993 Pierce et al. .
5,351,173 9/1994 Byrne .
5,575,668 11/1996 Timmerman .
5,705,772 1/1998 Brown .

Primary Examiner—Susan J. Lucas
Assistant Examiner—Jennifer Rivard
Attorney, Agent, or Firm—Varnum, Riddering, Schmidt & Howlett LLP

[56] **References Cited**

U.S. PATENT DOCUMENTS

- D. 353,363 12/1994 Toby .
- D. 355,890 2/1995 Lentz .
- D. 370,622 6/1996 Byrne .
- D. 372,018 7/1996 Byrne .
- D. 392,254 3/1998 Gevaert D13/139.3
- 676,622 6/1901 Gochnauer .
- 2,811,574 10/1957 Guerrero .
- 2,861,857 11/1958 Lee et al. .
- 3,131,512 5/1964 MacLeod, Jr. .
- 3,353,137 11/1967 Miller .
- 3,433,886 3/1969 Myers .
- 3,622,684 11/1971 Press .
- 3,646,244 2/1972 Cole .
- 3,794,956 2/1974 Dubreuil .
- 3,892,095 7/1975 Vankuik et al. .
- 3,972,579 8/1976 Kohaut .
- 3,992,070 11/1976 Dunn et al. .
- 4,059,321 11/1977 Rasmussen et al. .
- 4,272,643 6/1981 Carroll et al. .
- 4,372,629 2/1983 Propst et al. .
- 4,511,198 4/1985 Mitchell et al. .

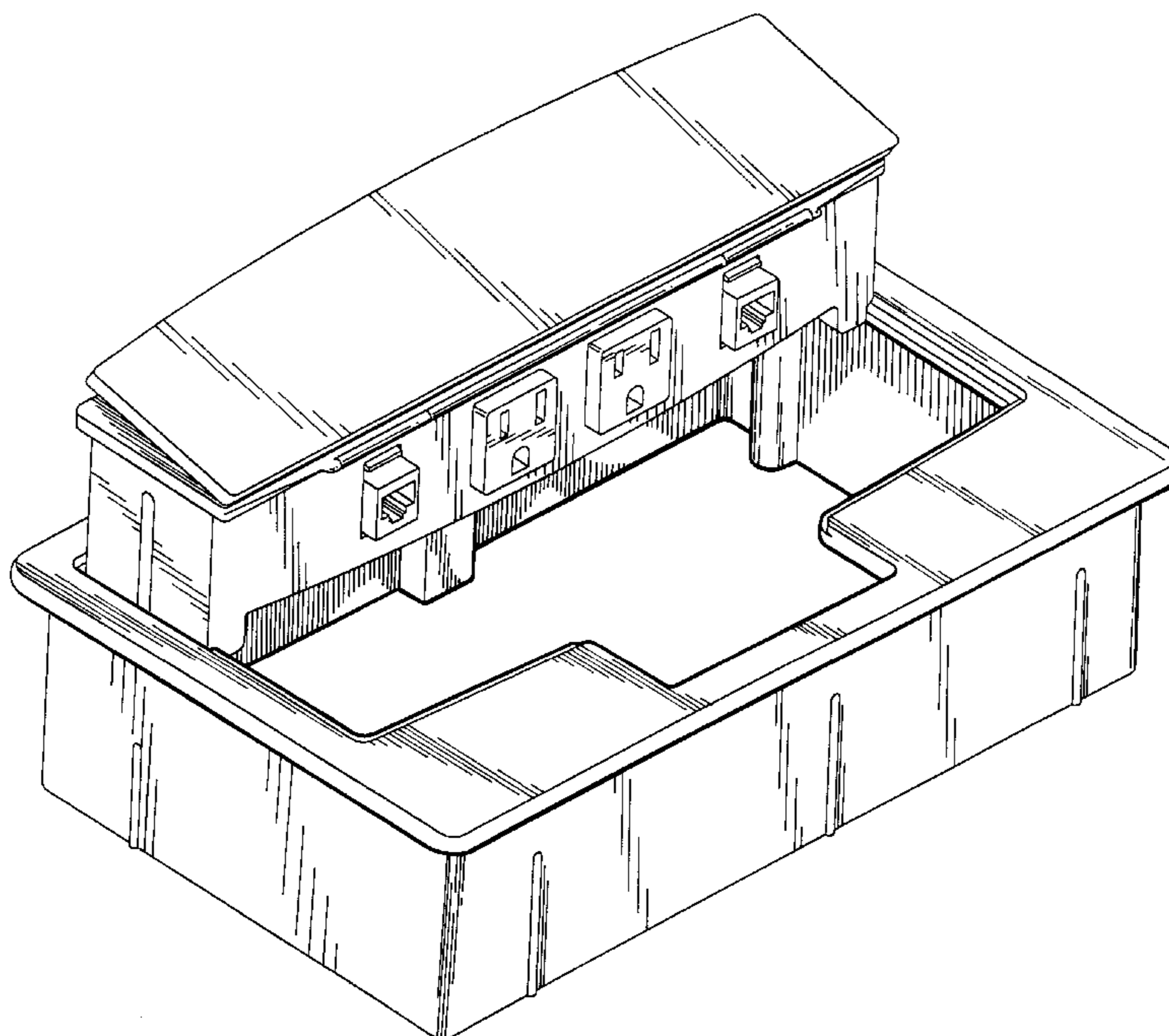
[57] **CLAIM**

The ornamental design for power center with folding cover, as shown and described.

DESCRIPTION

FIG. 1 is perspective view of an illustrative embodiment of a power center with a folding cover which embodies my design, showing the cover in a folded configuration; FIG. 2 is a top plan view of the power center with folding cover as illustrated in FIG. 1, with the folding cover being shown in a folded configuration; FIG. 3 is a front elevational view of the power center with folding cover as illustrated in FIG. 1, with the folding cover in a folded configuration; and, FIG. 4 is a left side view of the power center with folding cover as illustrated in FIG. 1, with the folding cover in a folded configuration. The right side view being a mirror image. The rear surface of the claimed design is flat and unornamented.

1 Claim, 4 Drawing Sheets



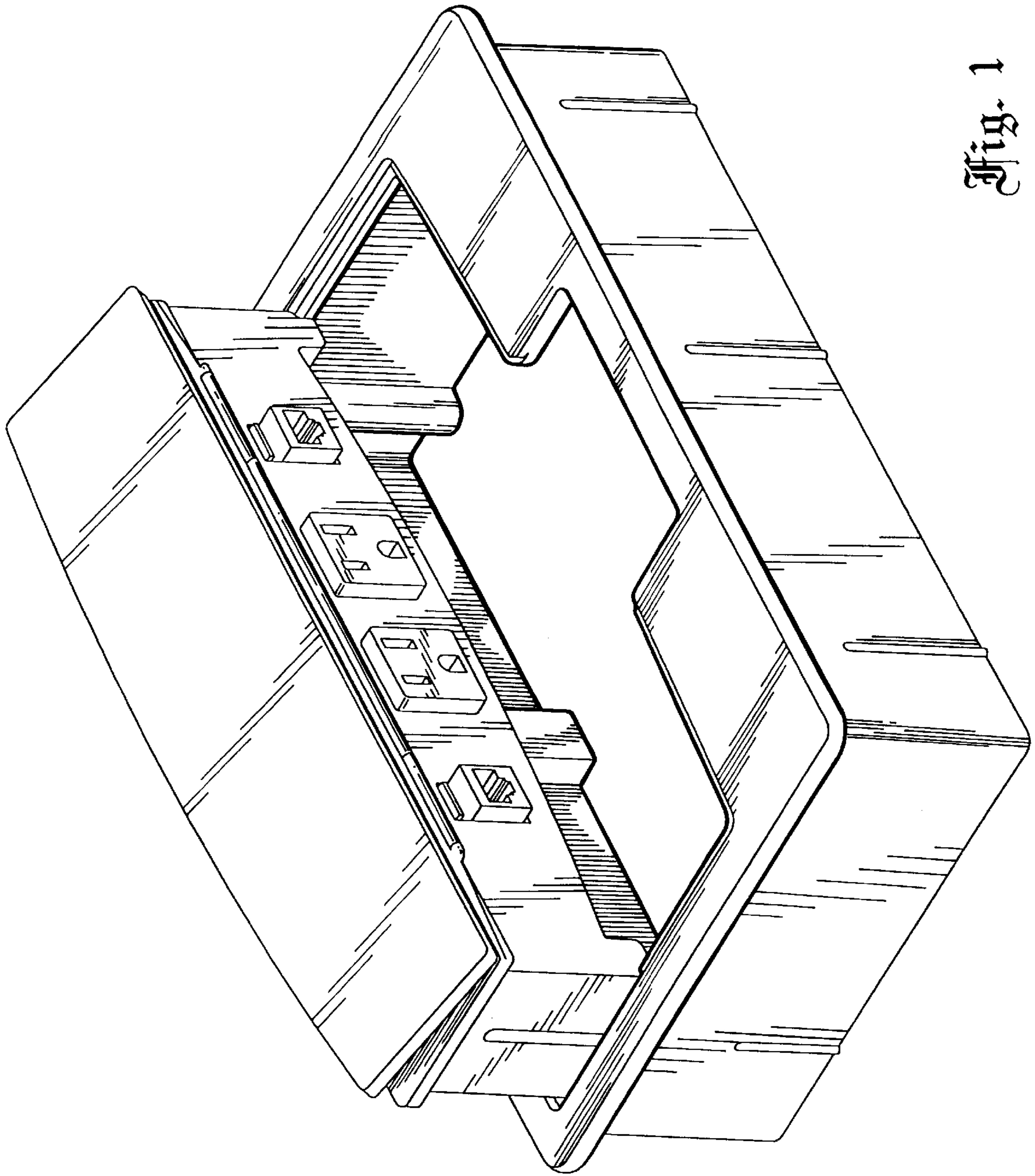


Fig. 1

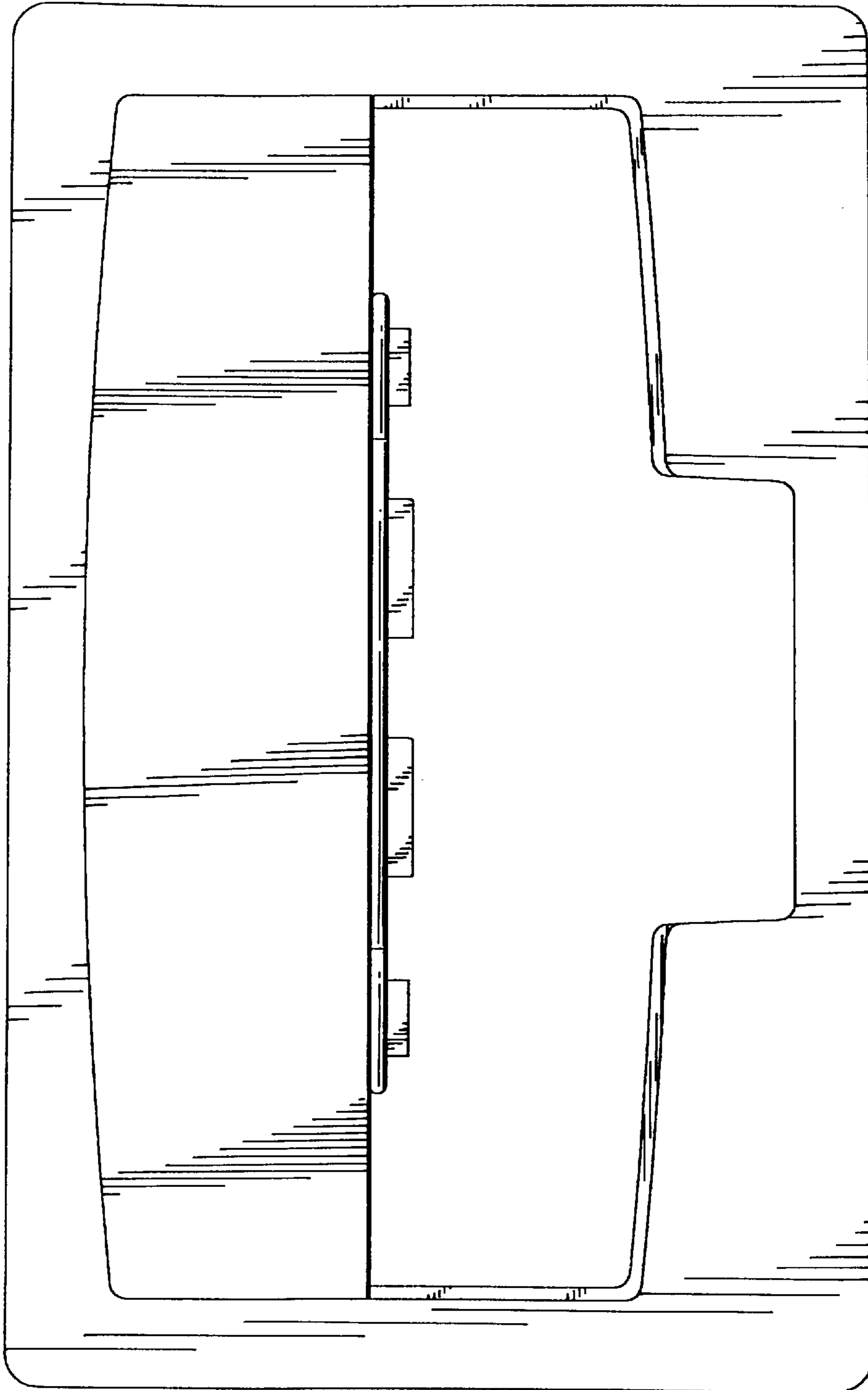


Fig. 2

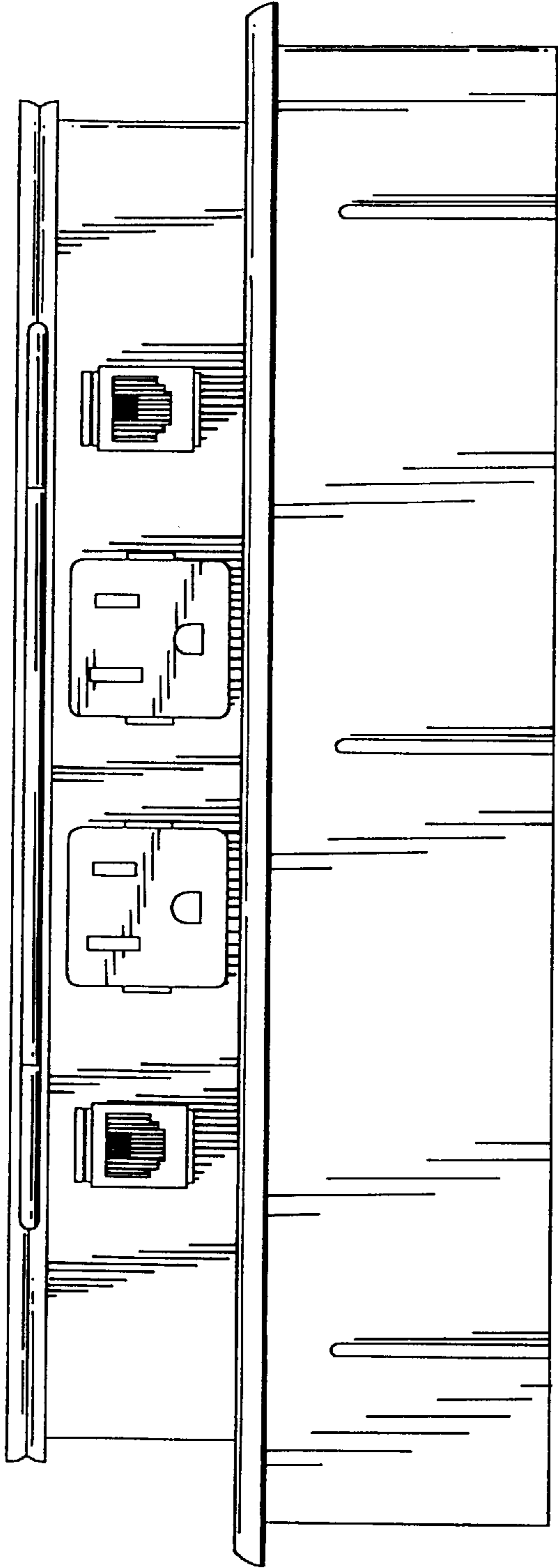


Fig. 3

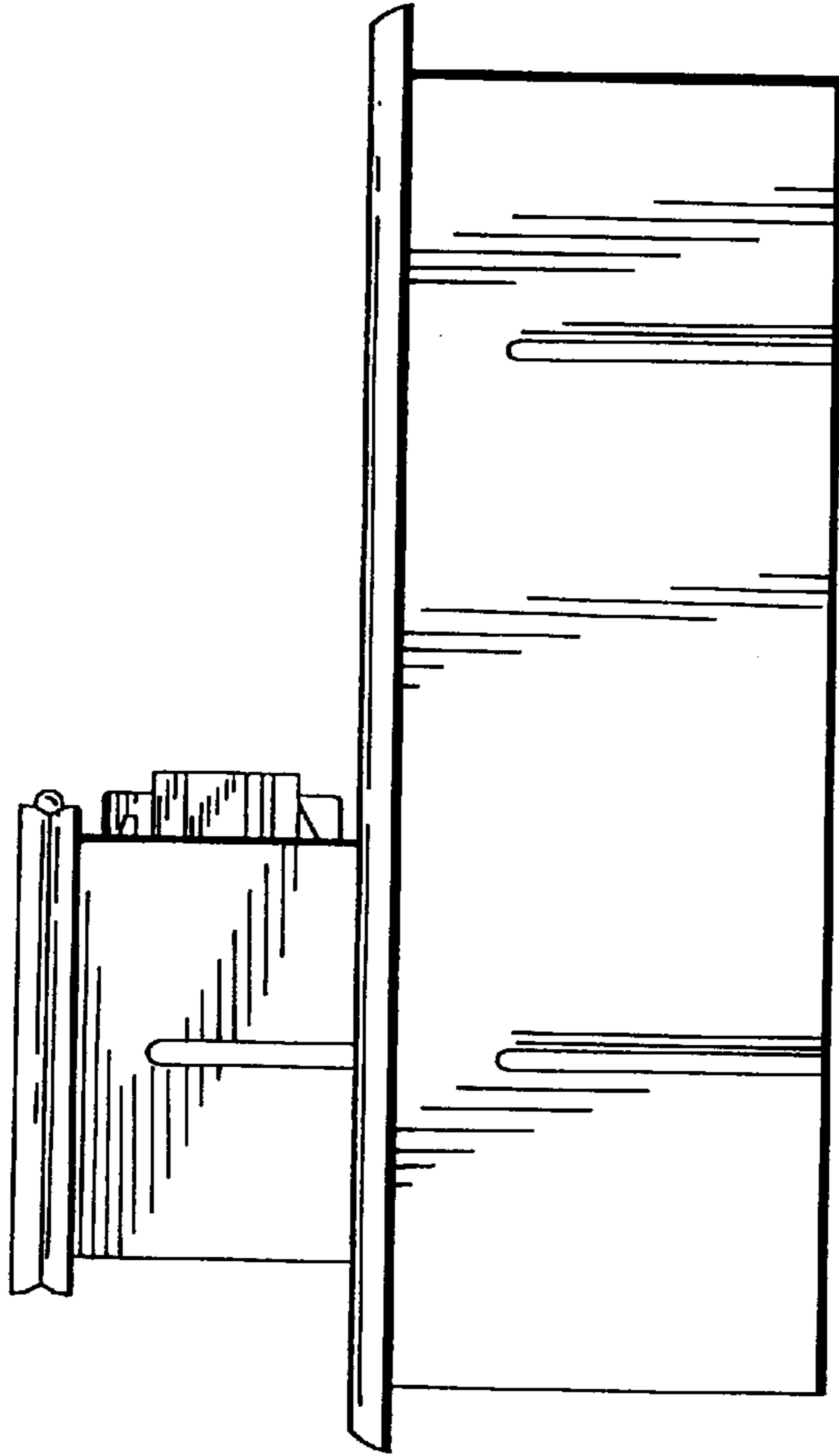


Fig. 4