

US00D407373S

United States Patent [19] Byrne

[11] Patent Number: **Des. 407,373**

[45] Date of Patent: ****Mar. 30, 1999**

[54] **COMBINED POWER/DATA LIFT-UP**

[76] Inventor: **Norman R. Byrne**, 2736 Honey Creek NE., Ada, Mich. 49301

[**] Term: **14 Years**

[21] Appl. No.: **71,752**

[22] Filed: **Jun. 5, 1997**

[51] **LOC (6) Cl.** **13-03**

[52] **U.S. Cl.** **D13/139.4; D13/139.7**

[58] **Field of Search** **D13/137.1-137.4, D13/139.1-139.8; 174/48, 49, 53, 55, 56, 57, 58; 439/131, 215, 214, 535, 544, 571, 539, 538; 220/3.2-3.8, 3.94**

4,372,629	2/1983	Propst et al. .	
4,511,198	4/1985	Mitchell et al. .	
4,551,577	11/1985	Byrne .	
4,747,788	5/1988	Byrne .	
4,792,881	12/1988	Wilson et al. .	
4,828,513	5/1989	Morrison et al. .	
4,984,982	1/1991	Brownlie et al. .	
5,023,396	6/1991	Bartee et al. .	
5,114,365	5/1992	Thompson et al.	439/540
5,122,069	6/1992	Brownlie et al. .	
5,230,552	7/1993	Schipper et al. .	
5,231,562	7/1993	Pierce et al. .	
5,351,173	9/1994	Byrne	439/131
5,575,668	11/1996	Timmerman .	
5,705,772	1/1998	Brown .	

[56] **References Cited**

U.S. PATENT DOCUMENTS

D. 353,363	12/1994	Toby .	
D. 355,890	2/1995	Lentz	D13/139.4
D. 370,622	6/1996	Byrne .	
D. 372,018	7/1996	Byrne	D13/139.4
676,622	6/1901	Gochnauer .	
2,811,574	10/1957	Guerrero .	
2,861,857	11/1958	Lee et al. .	
3,131,512	5/1964	MacLeod, Jr. .	
3,353,137	11/1967	Miller .	
3,433,886	3/1969	Myers .	
3,622,684	11/1971	Press .	
3,646,244	2/1972	Cole .	
3,794,956	2/1974	Dubreuil .	
3,892,095	7/1975	Vankuik et al. .	
3,972,579	8/1976	Kohaut .	
3,992,070	11/1976	Dunn et al. .	
4,059,321	11/1977	Rasmussen et al. .	
4,272,643	6/1981	Carroll et al. .	

Primary Examiner—Susan J. Lucas
Assistant Examiner—Jennifer Rivard
Attorney, Agent, or Firm—Varnum, Riddering, Schmidt & Howlett LLP

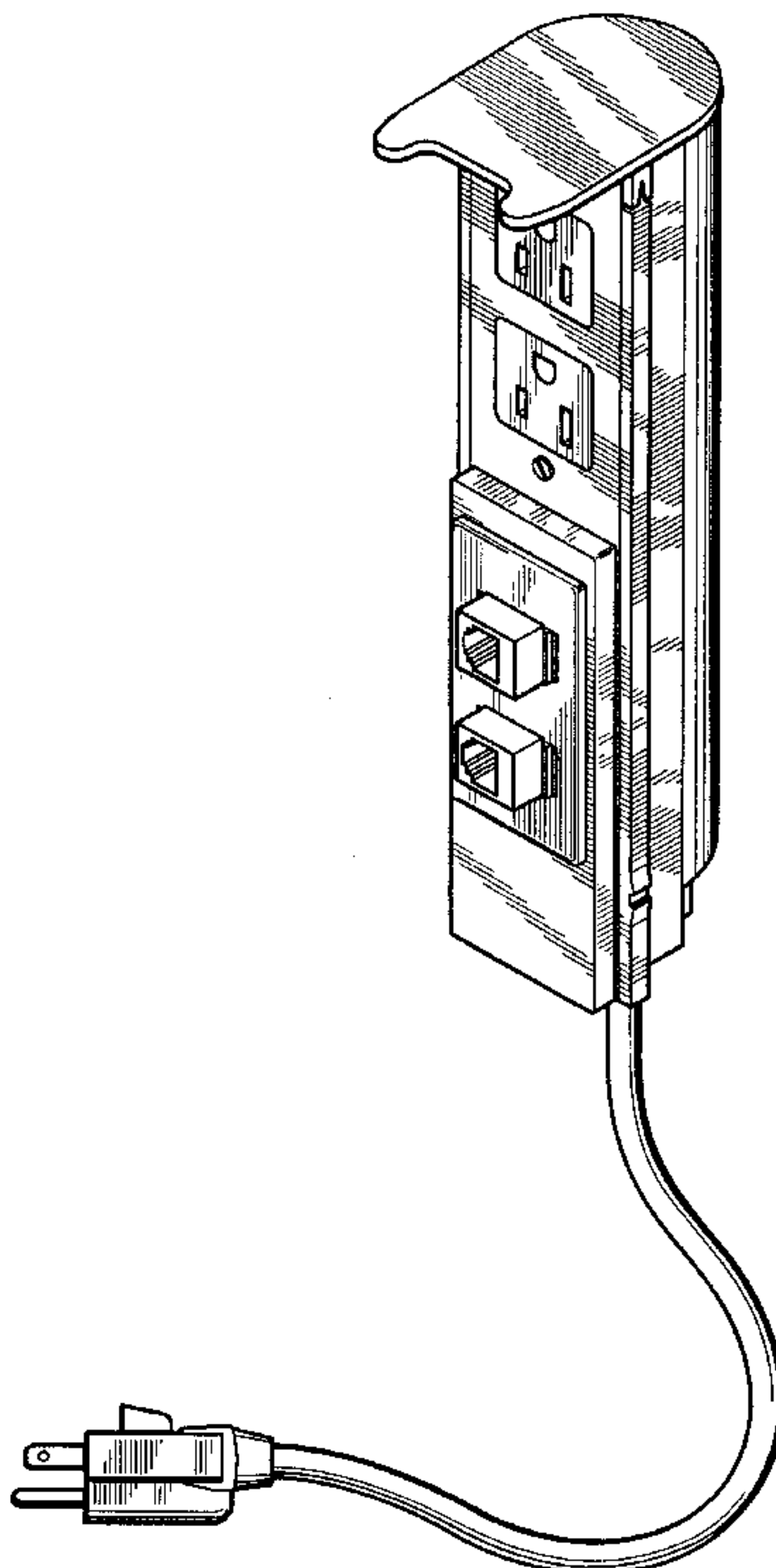
[57] **CLAIM**

The ornamental design for a combined power/data lift-up, as shown and described.

DESCRIPTION

FIG. 1 is a perspective view of a combined power/data lift-up device according to my design;
FIG. 2 is a front elevational view thereof;
FIG. 3 is a side elevational view thereof, the opposite side being a mirror image;
FIG. 4 is a top plan view thereof; and,
FIG. 5 is a rear elevational view thereof.
The bottom surface around the cord is flat and unornamented.

1 Claim, 3 Drawing Sheets



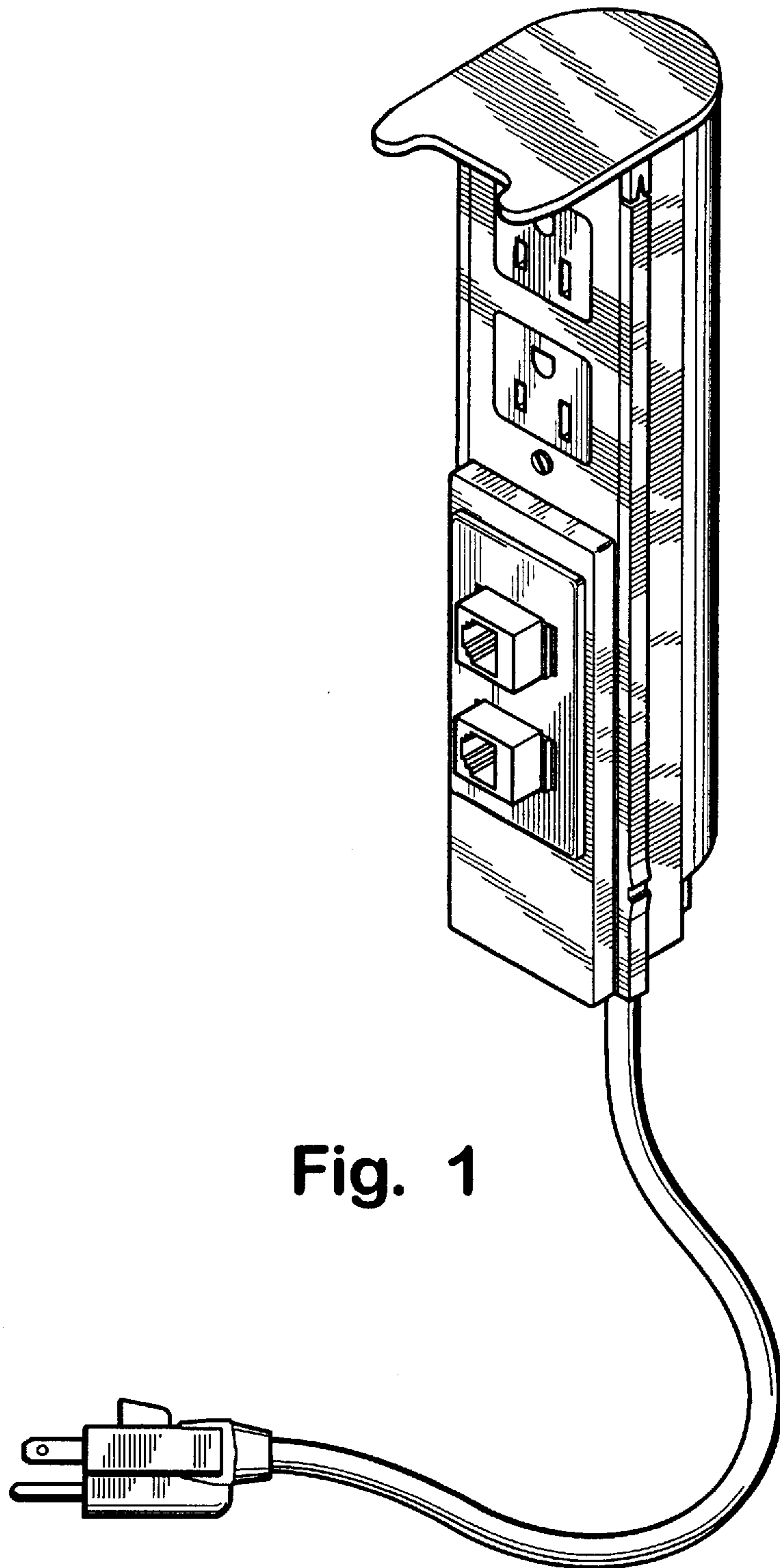


Fig. 1

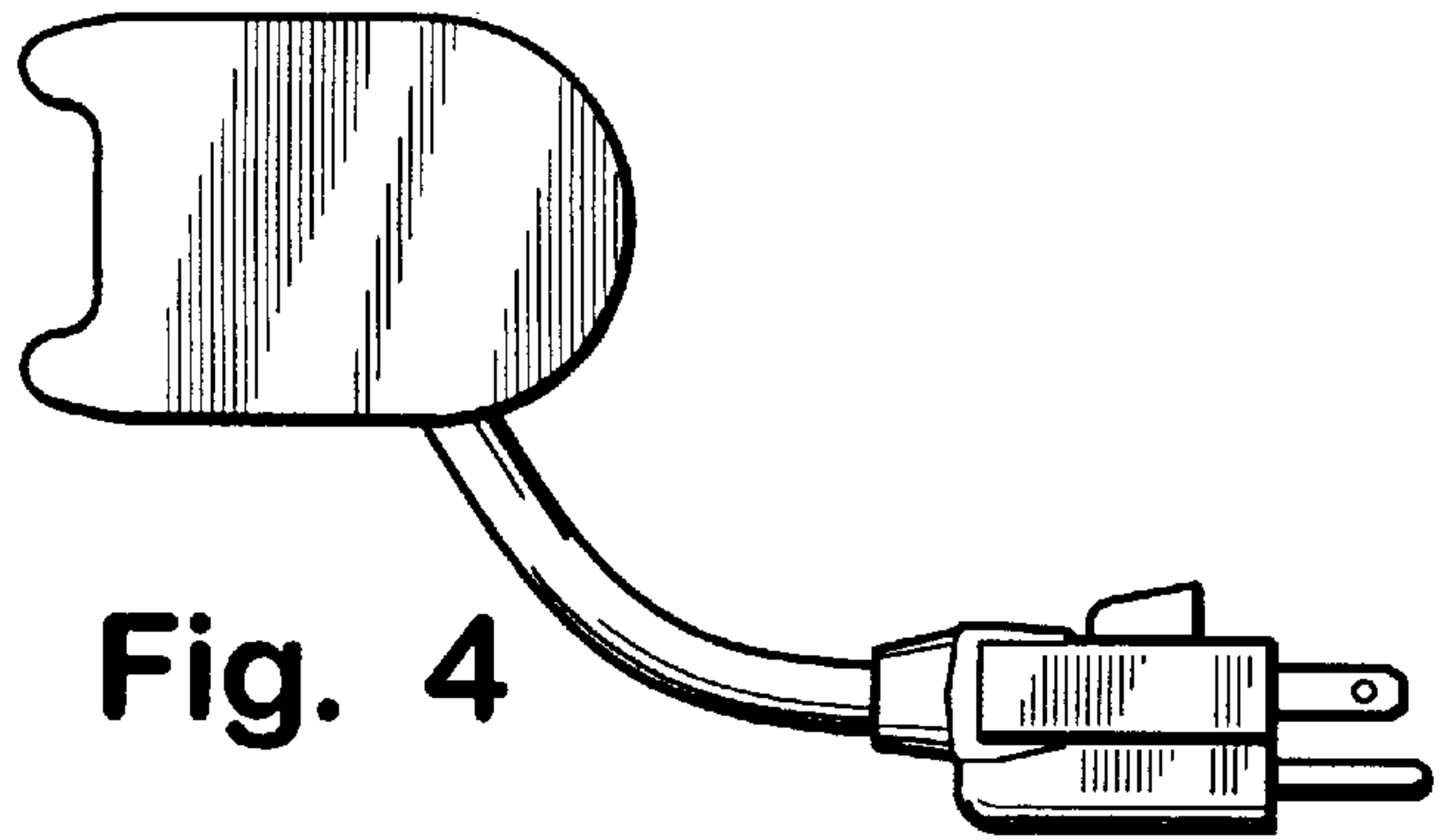


Fig. 4

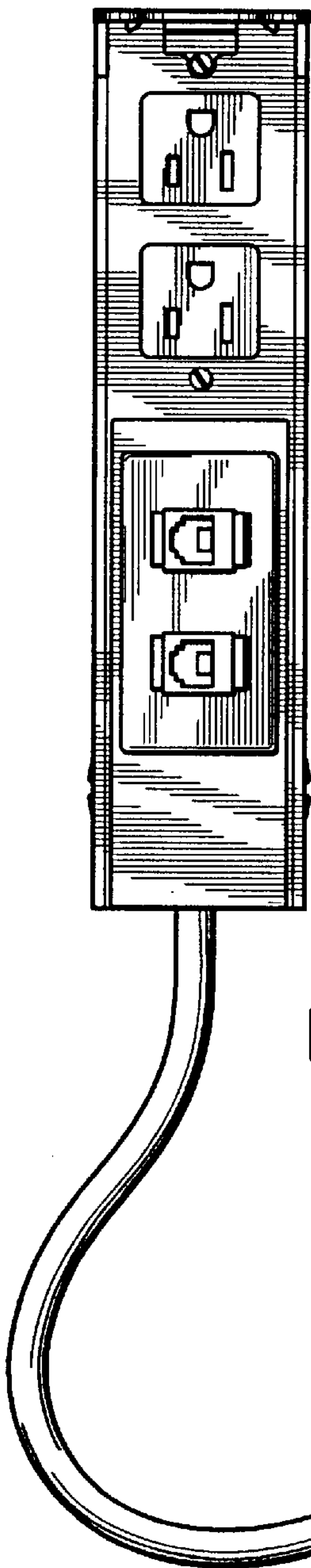


Fig. 2

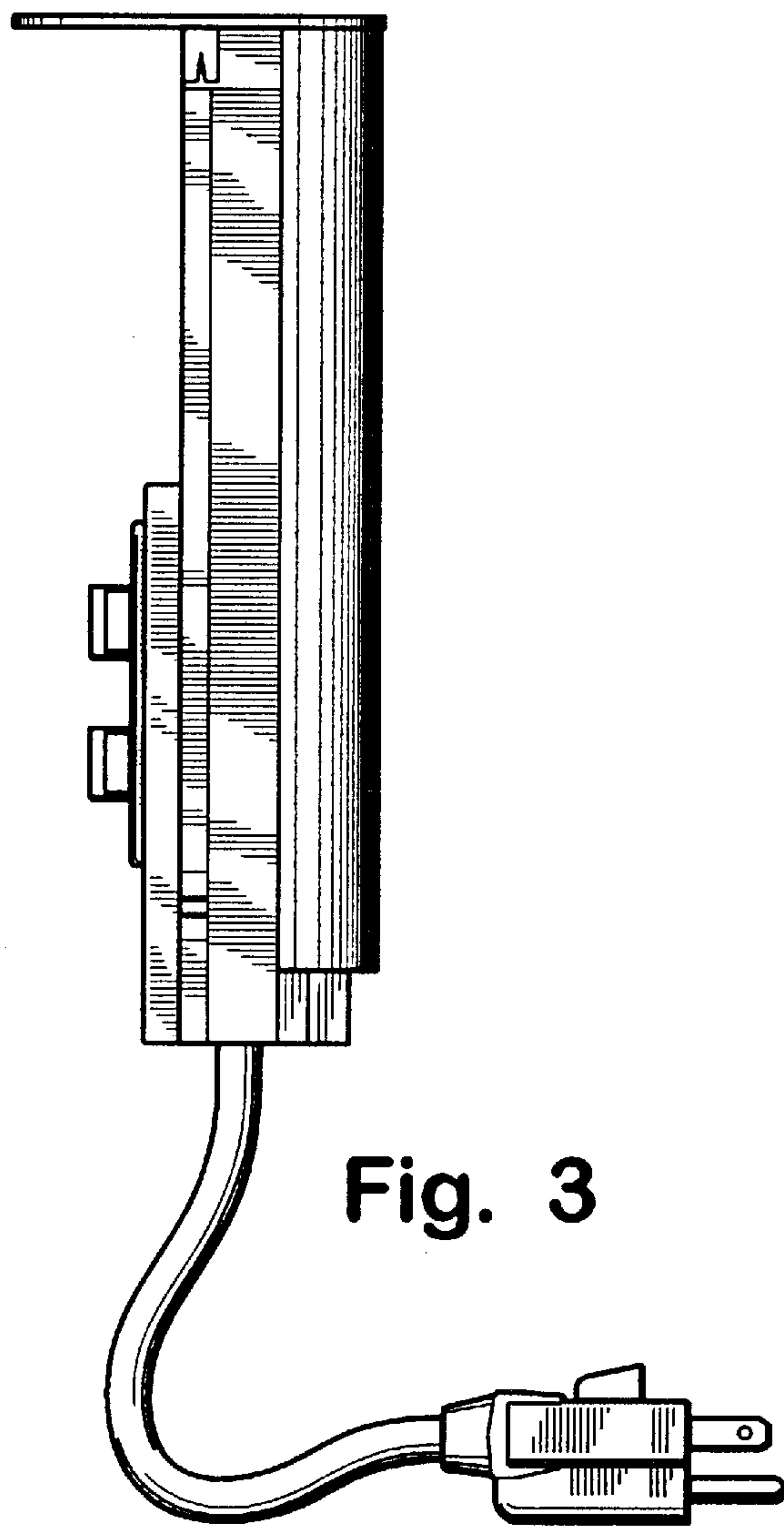


Fig. 3

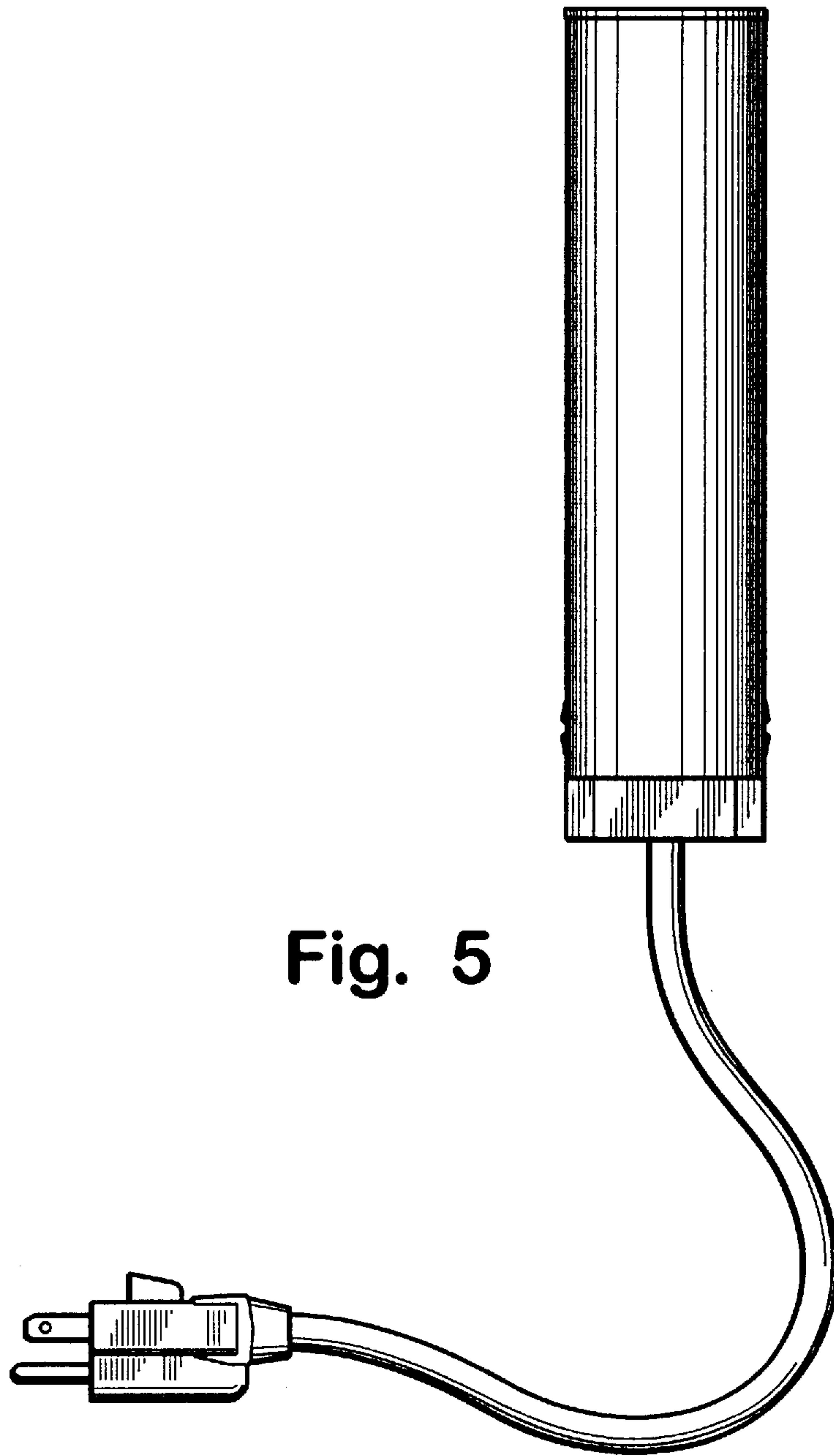


Fig. 5