



US00D407372S

United States Patent [19]

Starec et al.

[11] Patent Number: Des. 407,372

[45] Date of Patent: **Mar. 30, 1999

[54] POWER MODULE

[75] Inventors: Rado Starec; James Cowhey, both of Tullamarine, Australia

[73] Assignee: Greenshell Pty Ltd, Tullamarine, Australia

[**] Term: 14 Years

[21] Appl. No.: 71,683

[22] Filed: Jun. 4, 1997

[51] LOC (6) Cl. 13-03

[52] U.S. Cl. D13/139.2

[58] Field of Search D13/137.1-137.4, D13/139.1-139.8; 439/171, 94, 106, 107, 110, 121, 122, 373, 532, 535, 639, 650, 655, 214, 215

[56] References Cited

U.S. PATENT DOCUMENTS

D. 320,193	9/1991	Bender	D13/146
D. 332,085	12/1992	Bender	D13/146
D. 360,873	8/1995	Starec et al.	D13/139.2
D. 365,325	12/1995	Starec et al.	D13/146
5,203,712	4/1993	Kilpatrick et al.	439/215
5,584,714	12/1996	Karst et al.	439/215

Primary Examiner—Susan J. Lucas
Assistant Examiner—Jennifer Rivard
Attorney, Agent, or Firm—Madson & Metcalf

[57] CLAIM

The ornamental design for a power module, as shown and described.

DESCRIPTION

FIG. 1 is a perspective view of the first embodiment of the

power module having five pins according to the present invention showing details of the top side and the female socket located on the front side of the power module;

FIG. 2 is a perspective view of the power module of FIG. 1 showing details of the male plug located on the back side of the power module;

FIG. 3 is a right side view of the power module of FIG. 1;

FIG. 4 is a top view of the power module of FIG. 1 ;

FIG. 5 is a back side view of the power module of FIG. 1 showing the male plug;

FIG. 6 is front side view of the power module of FIG. 1 showing the female socket;

FIG. 7 is a perspective view of the second embodiment of the power module having three pins according to the present invention showing details of the top side and the female socket located on the front side of the power module;

FIG. 8 is a perspective view of the power module of FIG. 7 showing details of the male plug located on the back side of the power module;

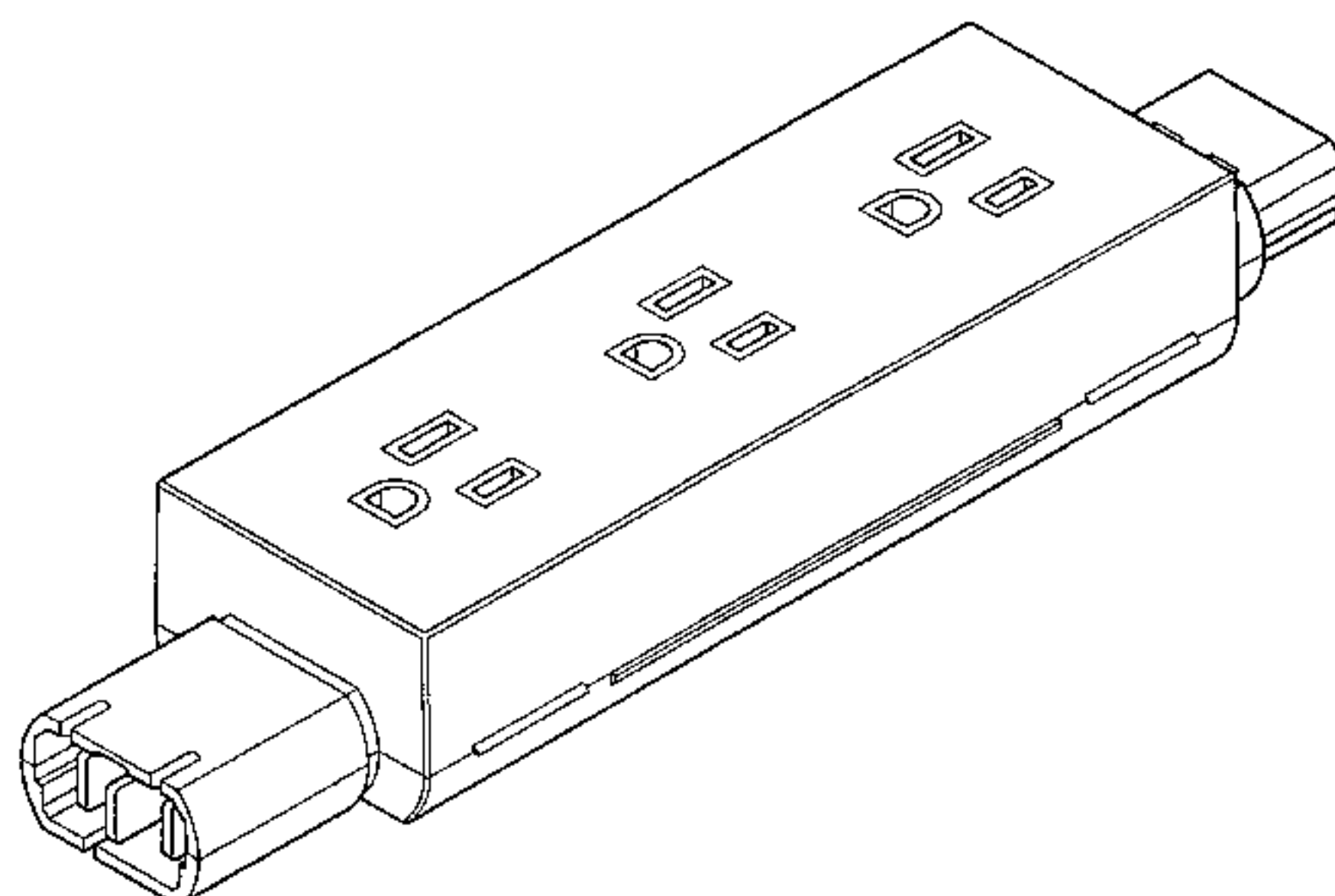
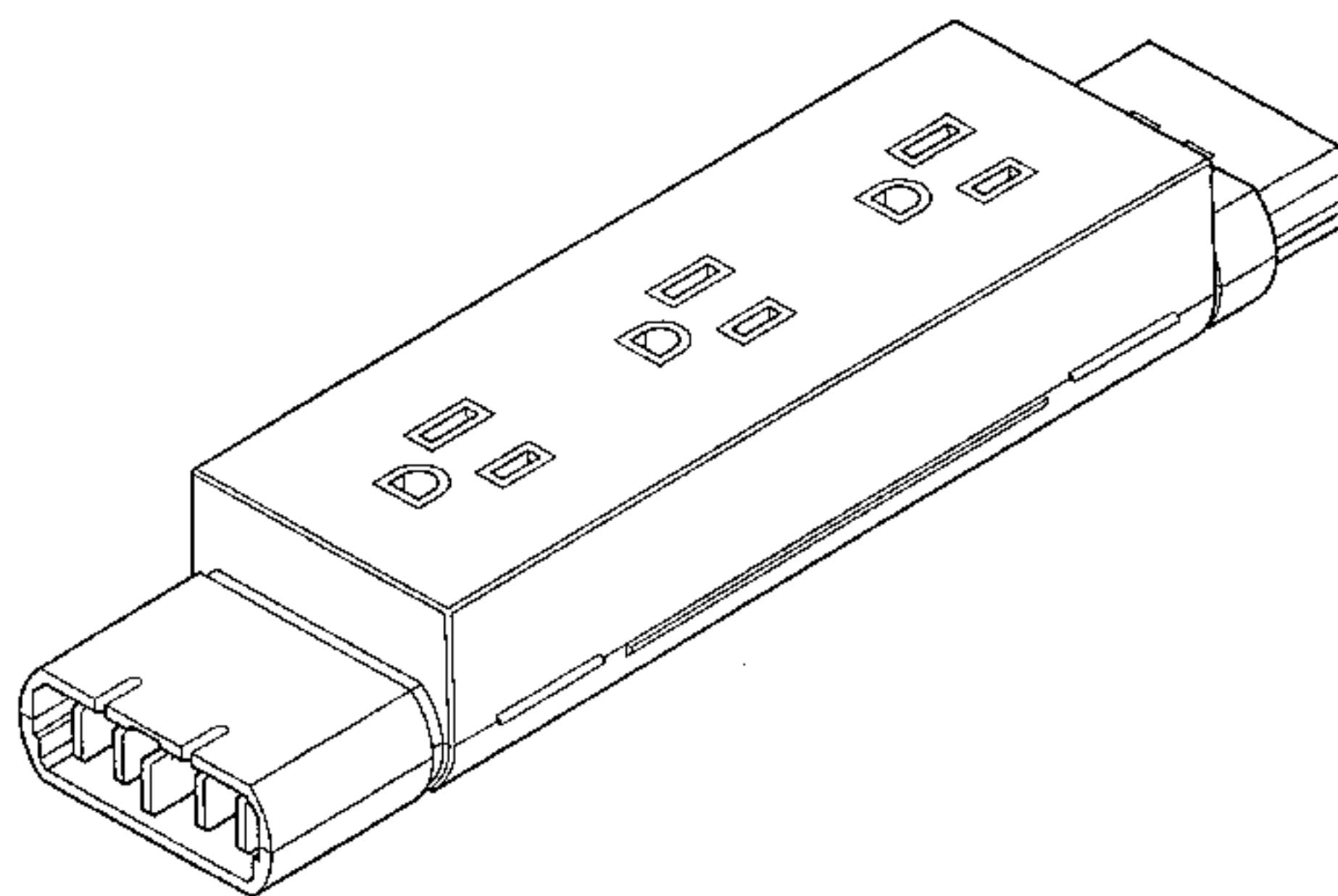
FIG. 9 is a right side view of the power module of FIG. 7;

FIG. 10 is a top view of the power module of FIG. 7;

FIG. 11 is a back side view of the power module of FIG. 7 showing the male plug; and,

FIG. 12 is a front side view of the power module of FIG. 7 showing the female socket.

1 Claim, 6 Drawing Sheets



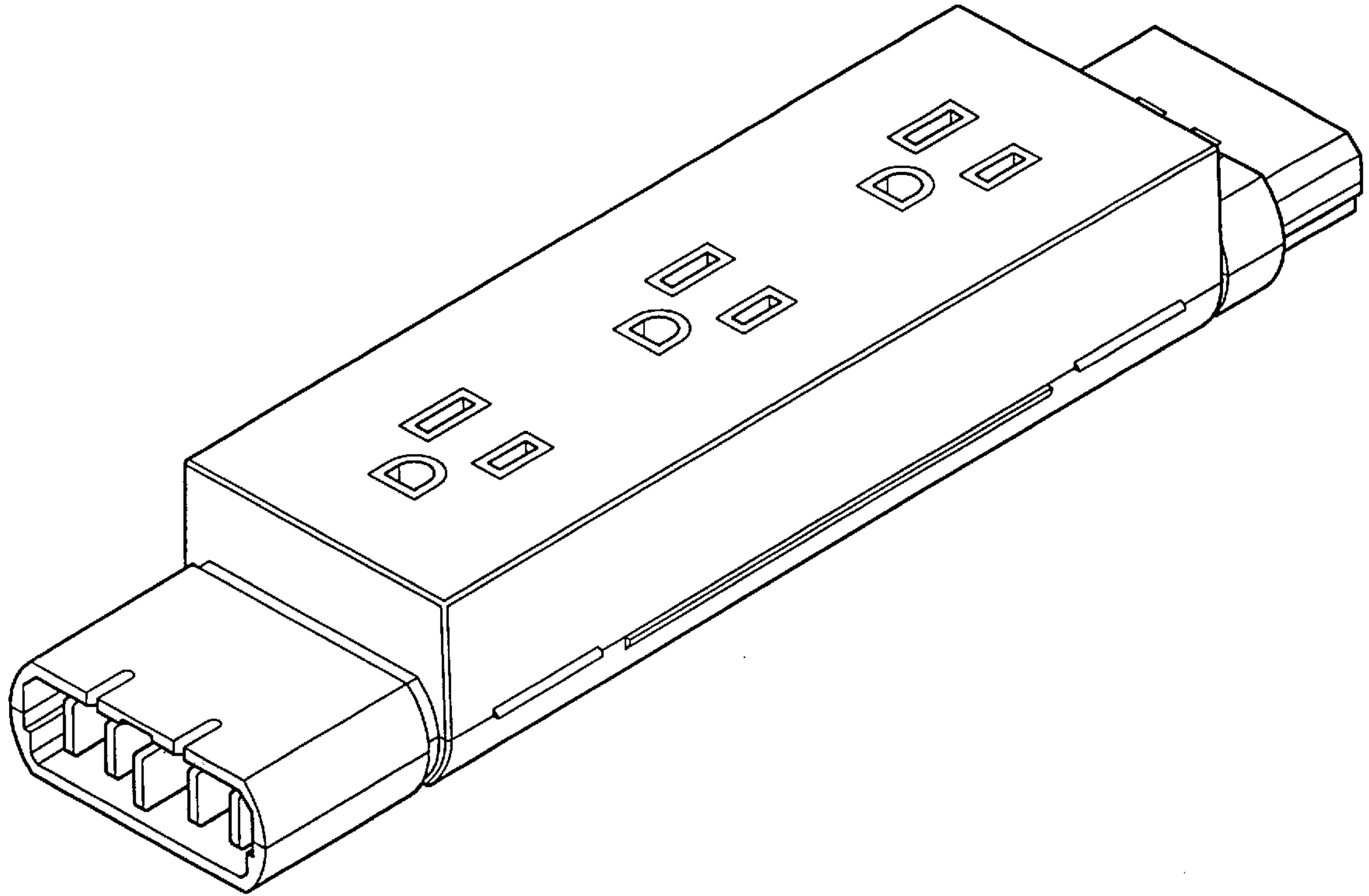


Figure 1

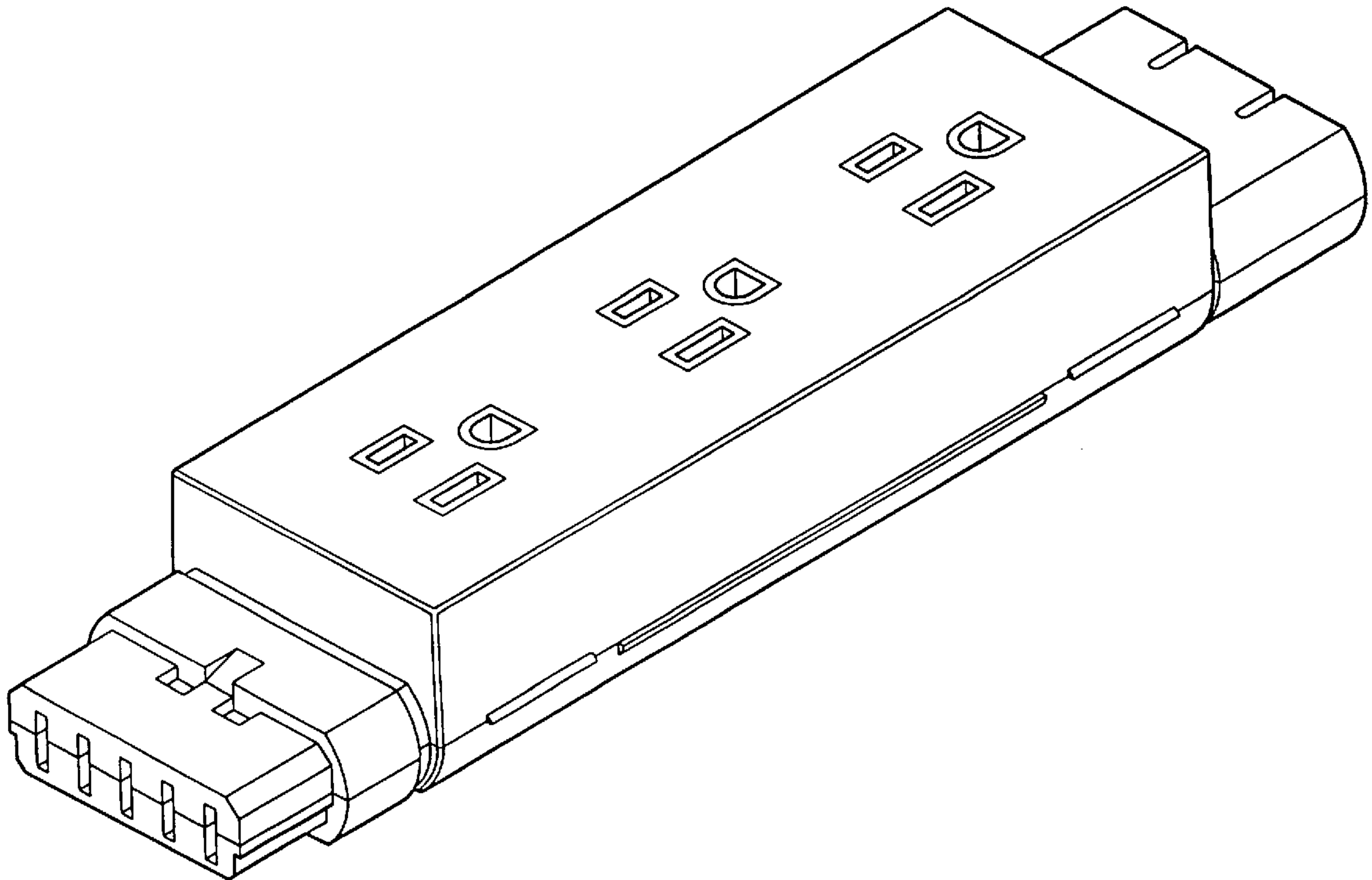


Figure 2

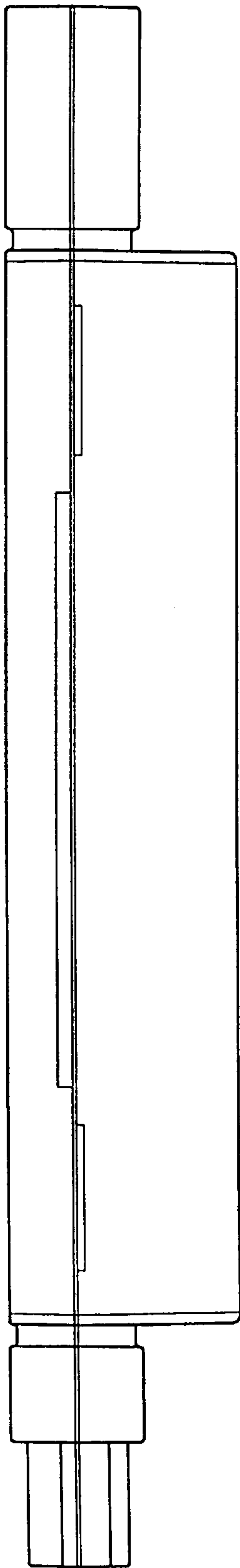


Figure 3

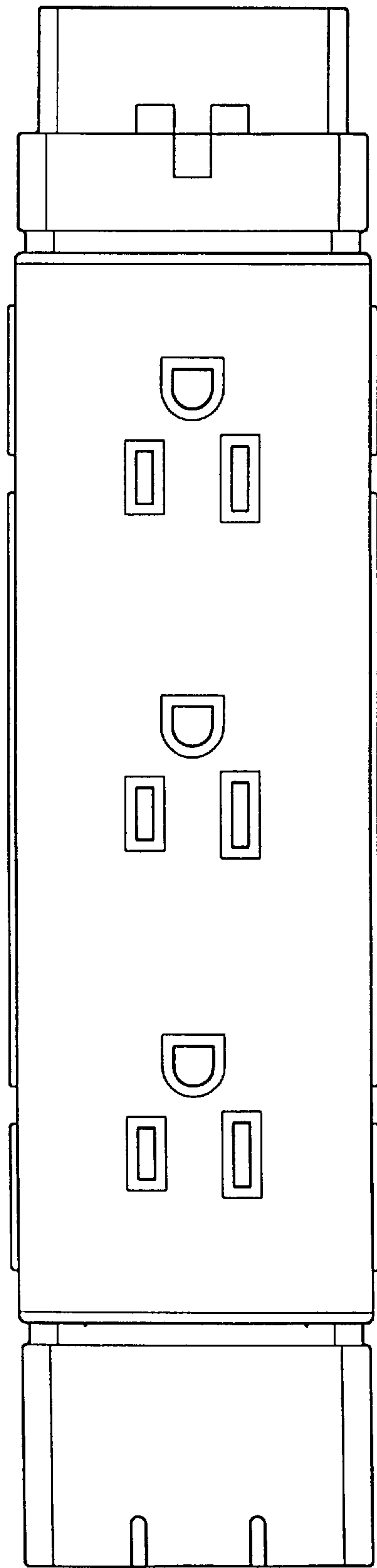


Figure 4

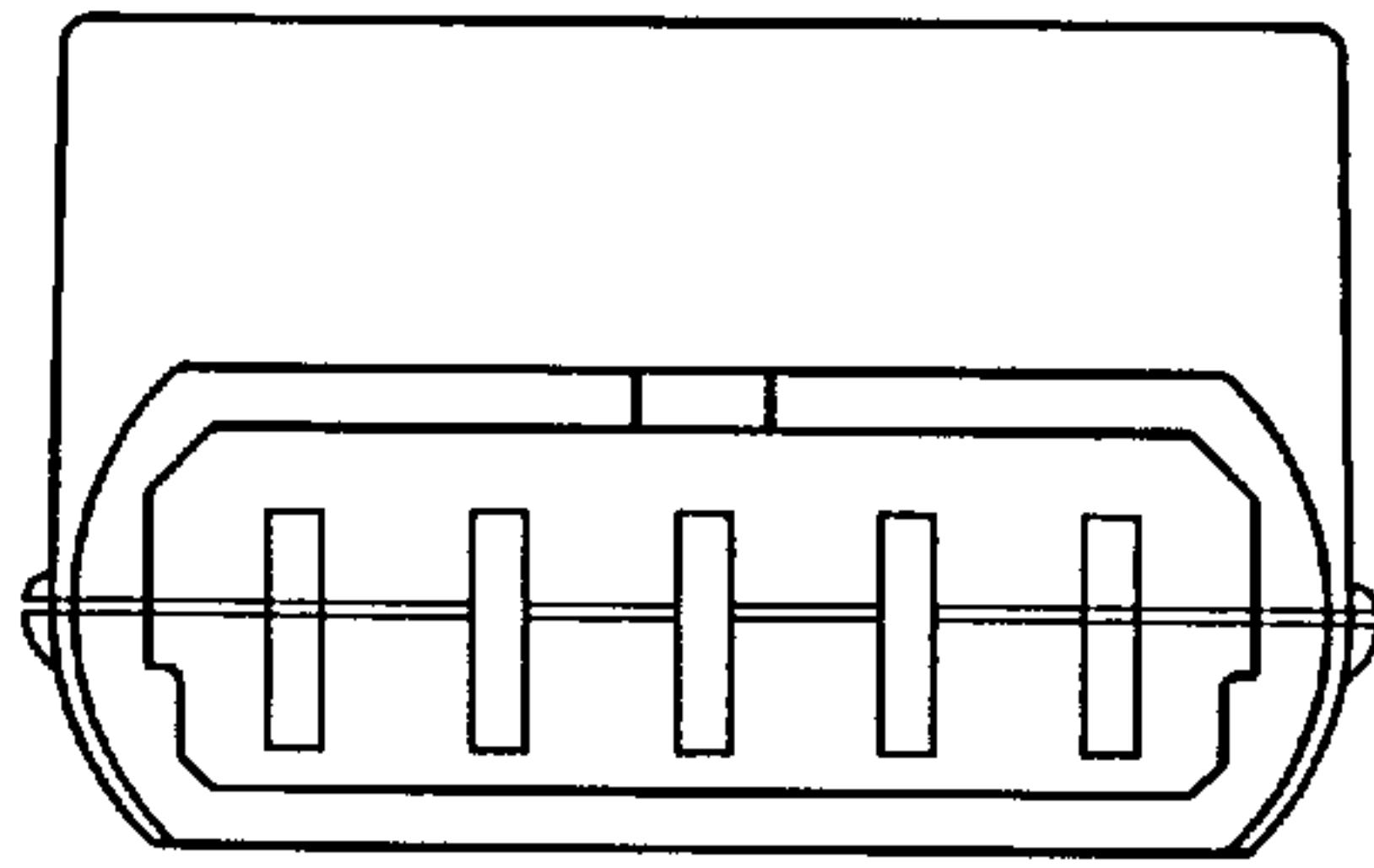


Figure 5

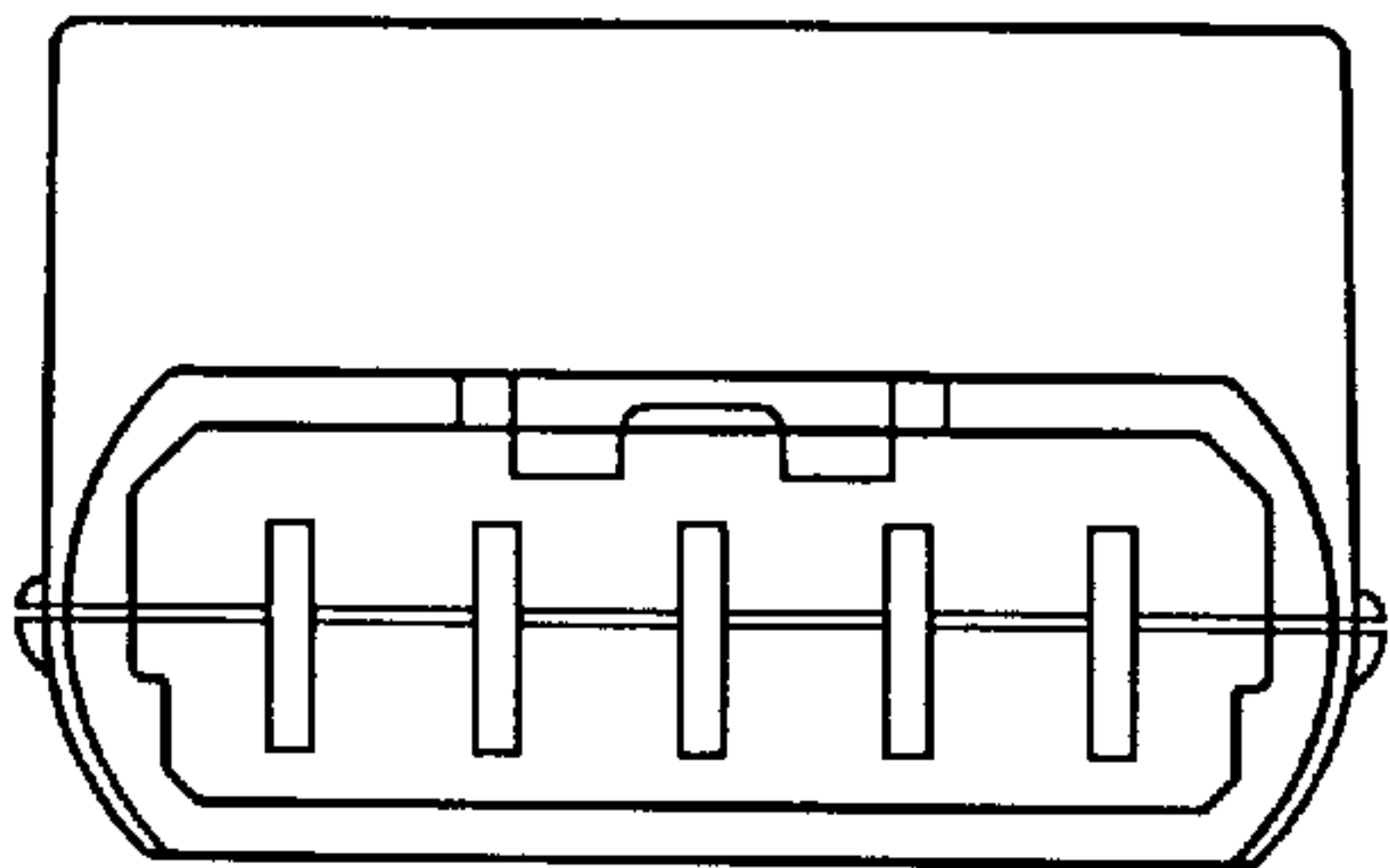


Figure 6

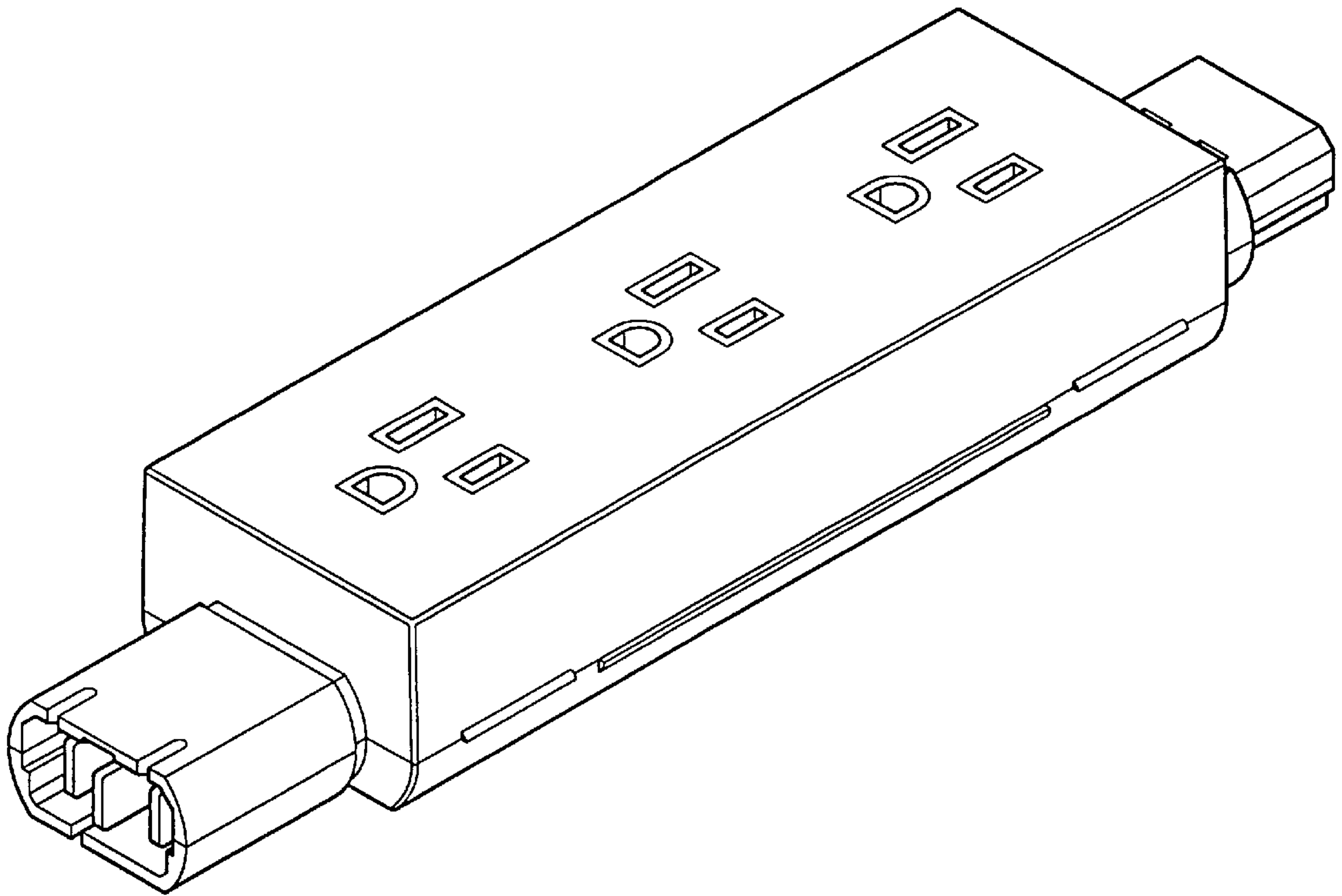


Figure 7

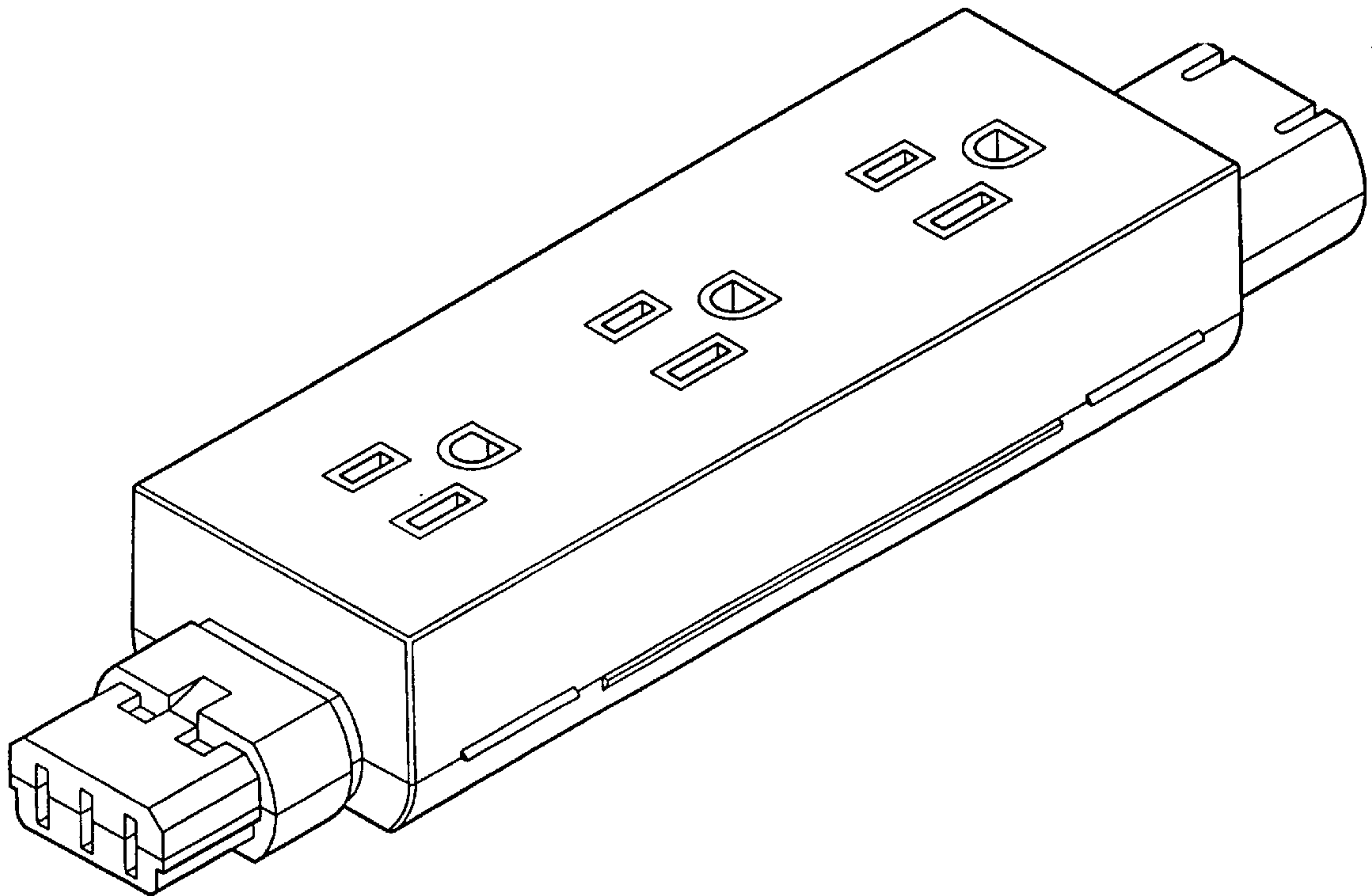


Figure 8

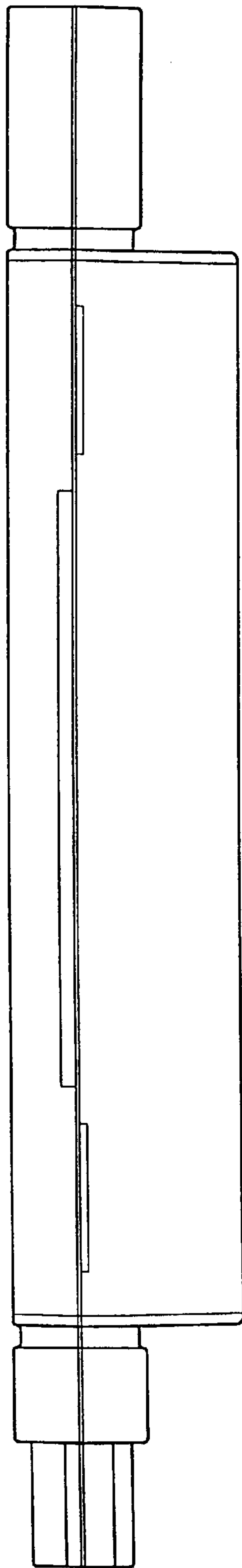


Figure 9

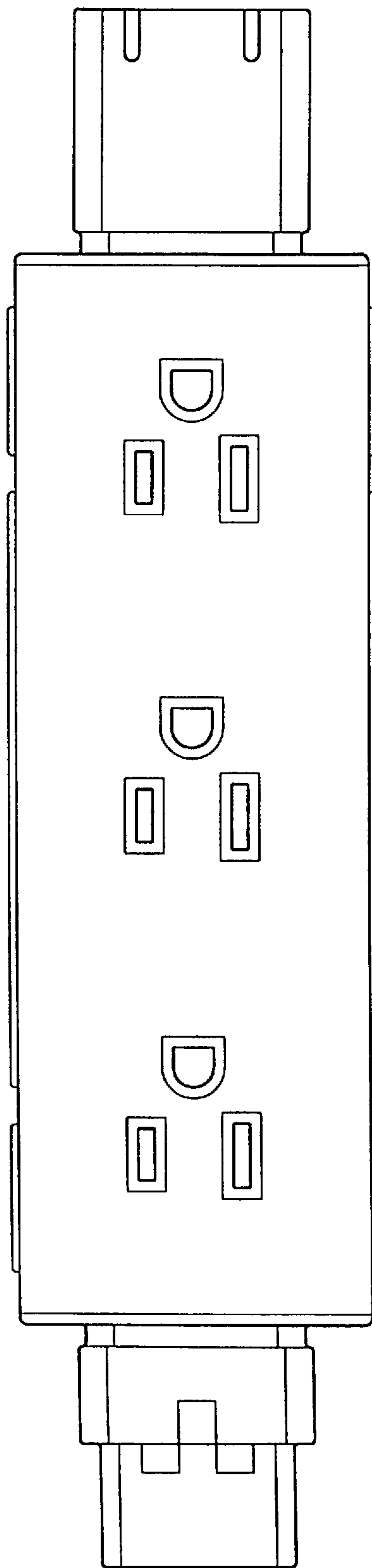


Figure 10

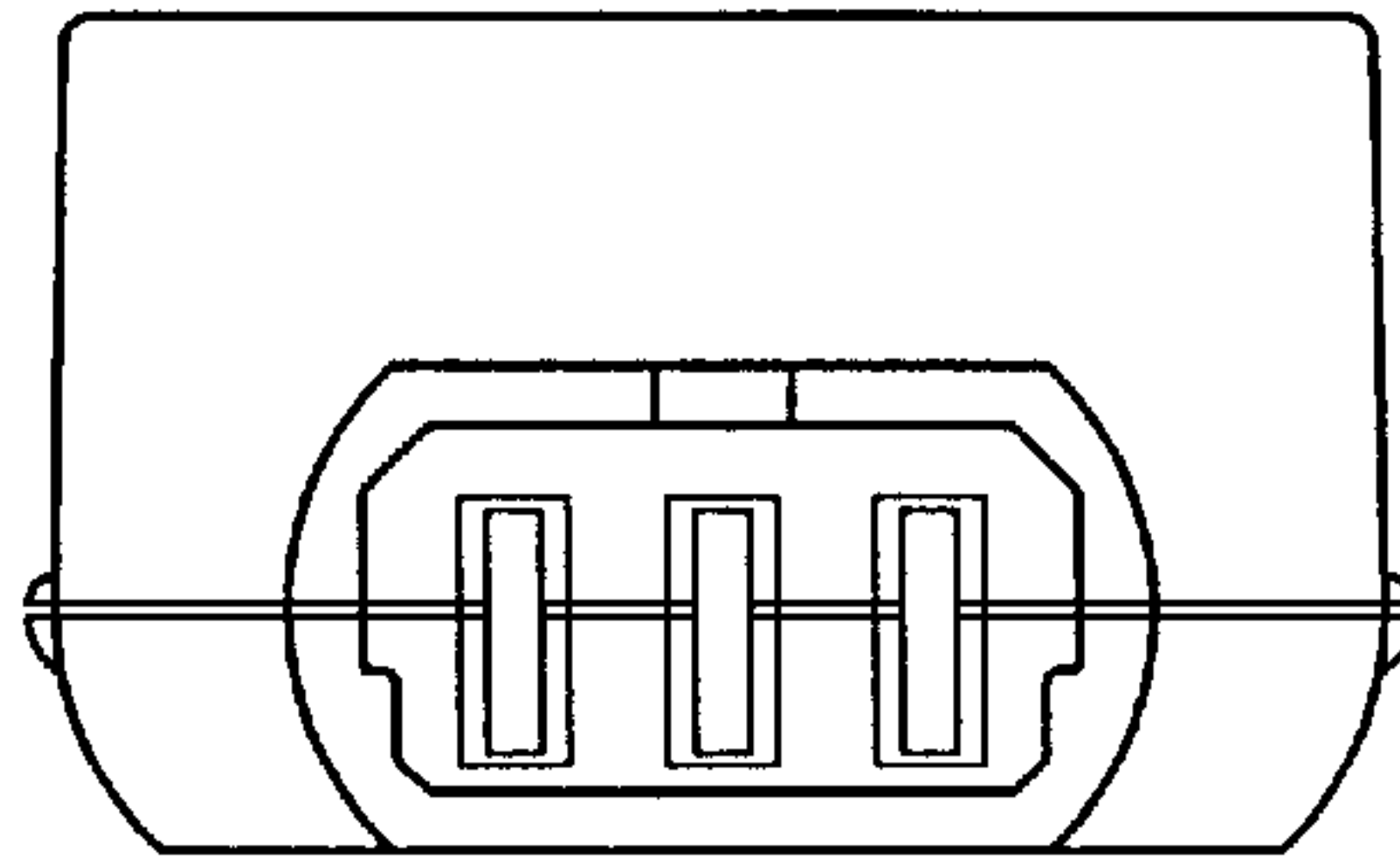


Figure 11

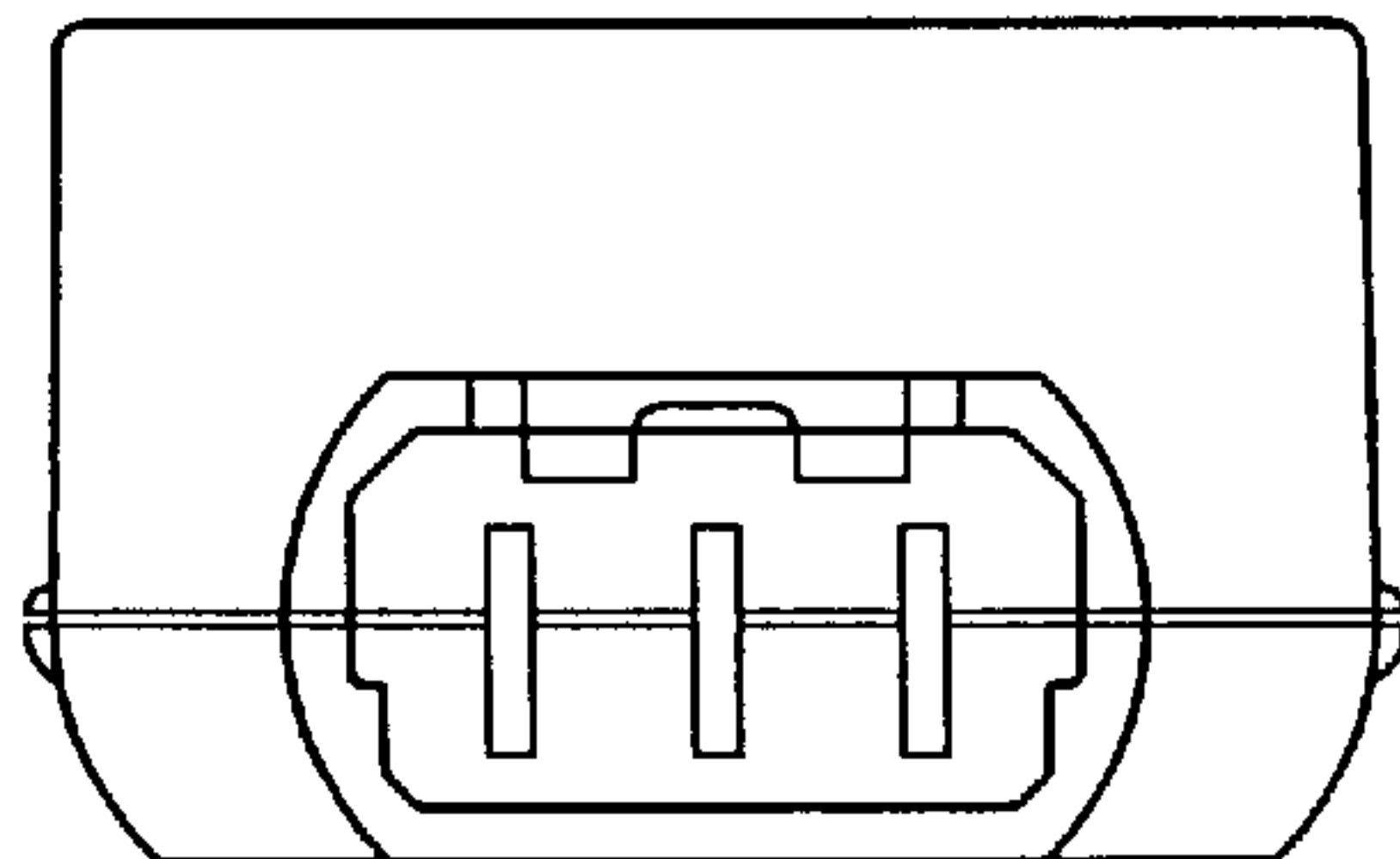


Figure 12