



US00D407370S

United States Patent [19]
Wang

[11] **Patent Number: Des. 407,370**
[45] **Date of Patent: **Mar. 30, 1999**

[54] **FEMALE COAXIAL CABLE CONNECTOR**

4,964,805 10/1990 Gabany 439/63
5,180,315 1/1993 Nagashima 439/581
5,556,292 9/1996 Kato et al. 439/675 X

[76] Inventor: **Tsan-Chi Wang**, Hsin-Tien City, Taipei
Hsien, Taiwan

[**] Term: **14 Years**

Primary Examiner—Alan P. Douglas
Assistant Examiner—Lavone D. Tabor
Attorney, Agent, or Firm—Fish & Richardson P.C.

[21] Appl. No.: **83,436**

[57] **CLAIM**

[22] Filed: **Feb. 9, 1998**

I claim the ornamental design for a “female coaxial cable connector”, as shown and described.

Related U.S. Application Data

DESCRIPTION

[63] Continuation-in-part of Ser. No. 792,515, Jan. 31, 1997.

[51] **LOC (6) Cl.** **13-03**

[52] **U.S. Cl.** **D13/133**

[58] **Field of Search** D13/133; 439/63,
439/578, 581, 585, 675

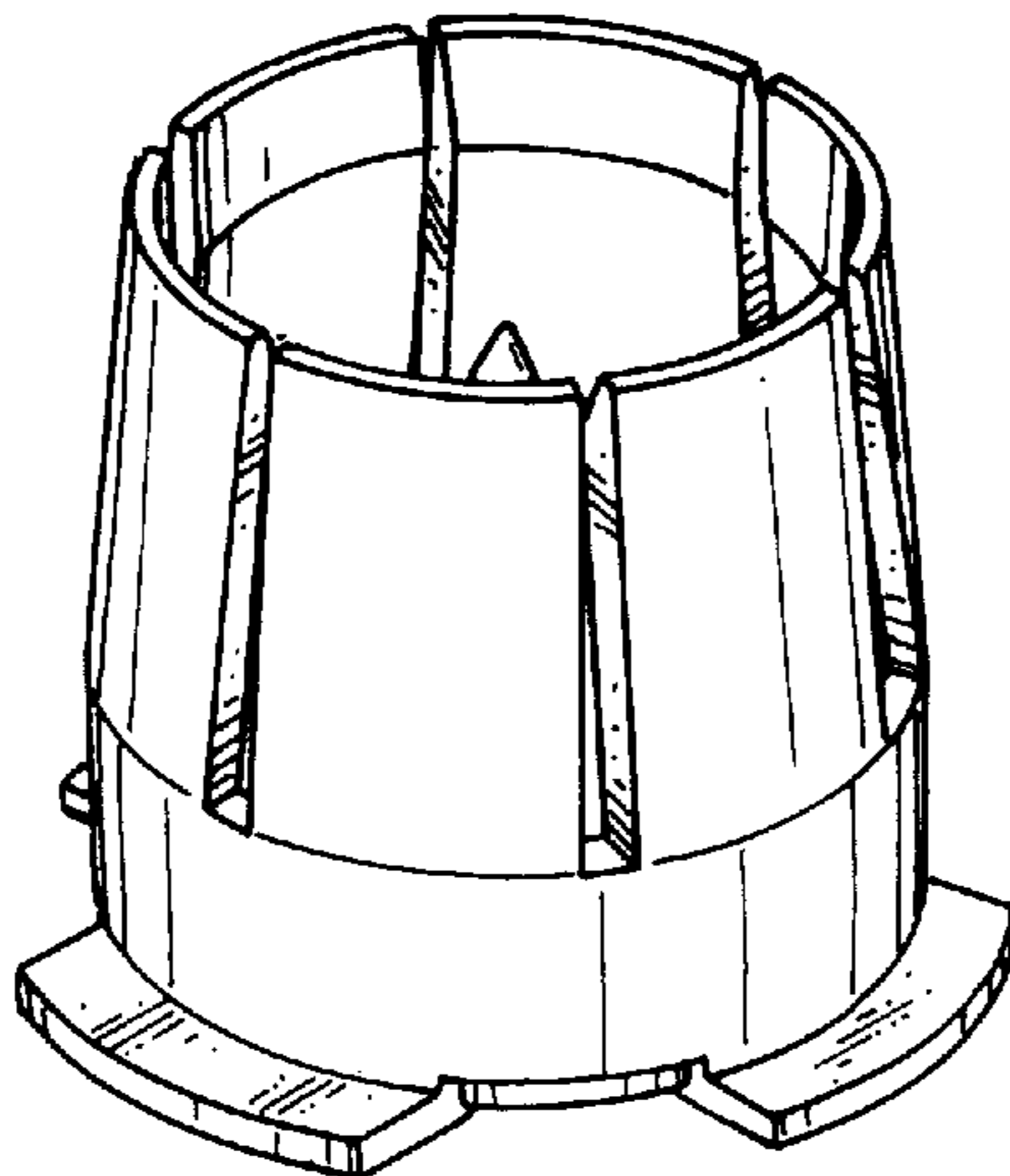
FIG. 1 is a perspective view of a “female coaxial cable connector” showing my design;
FIG. 2 is a front view thereof (the rear view is the same as the front view);
FIG. 3 is a right side view thereof (the left side view is symmetrical to the right side view);
FIG. 4 is an upper view thereof; and,
FIG. 5 is a bottom view thereof.

[56] **References Cited**

U.S. PATENT DOCUMENTS

4,795,352 1/1989 Capp et al. 439/63

1 Claim, 2 Drawing Sheets



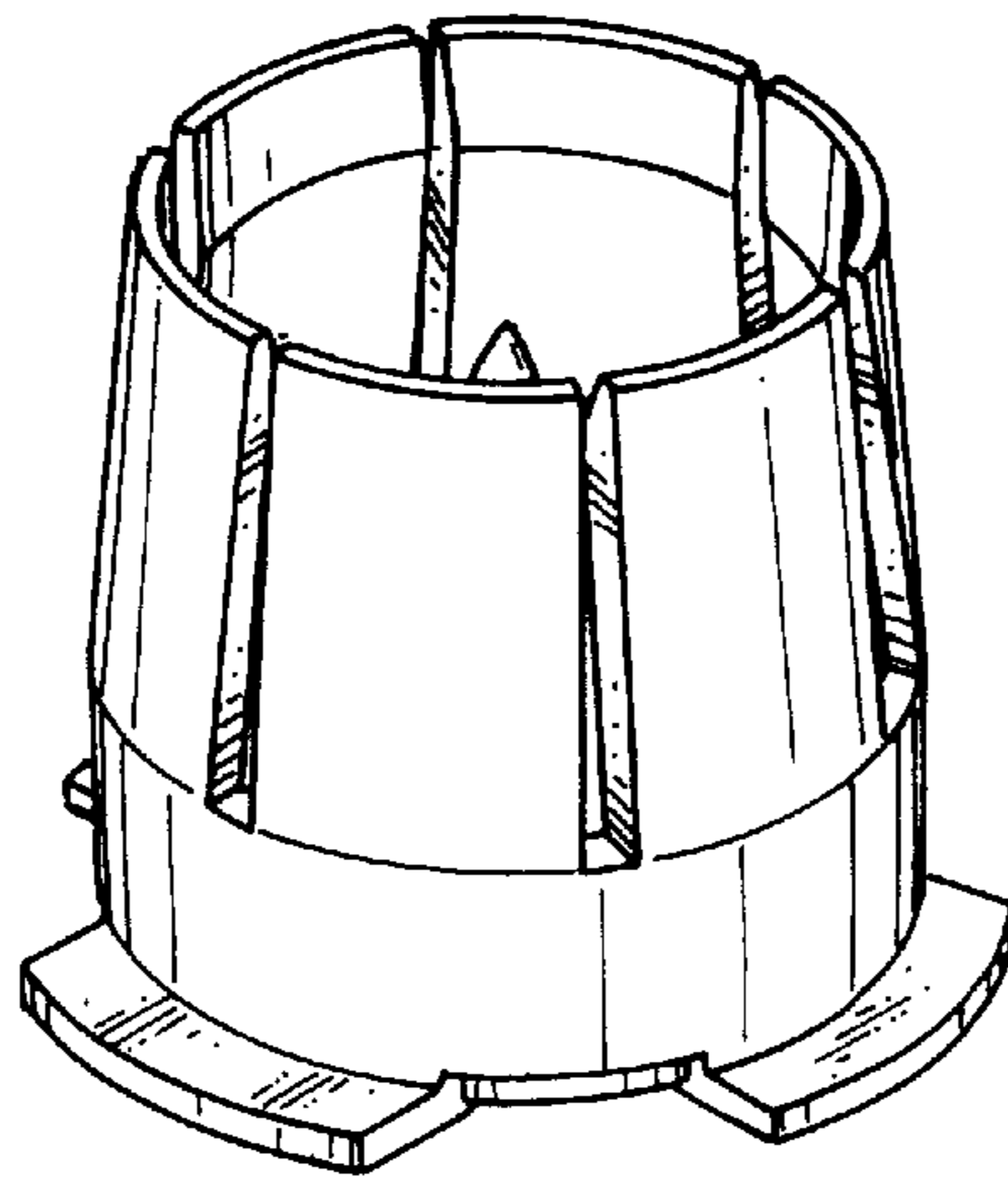


FIG. 1

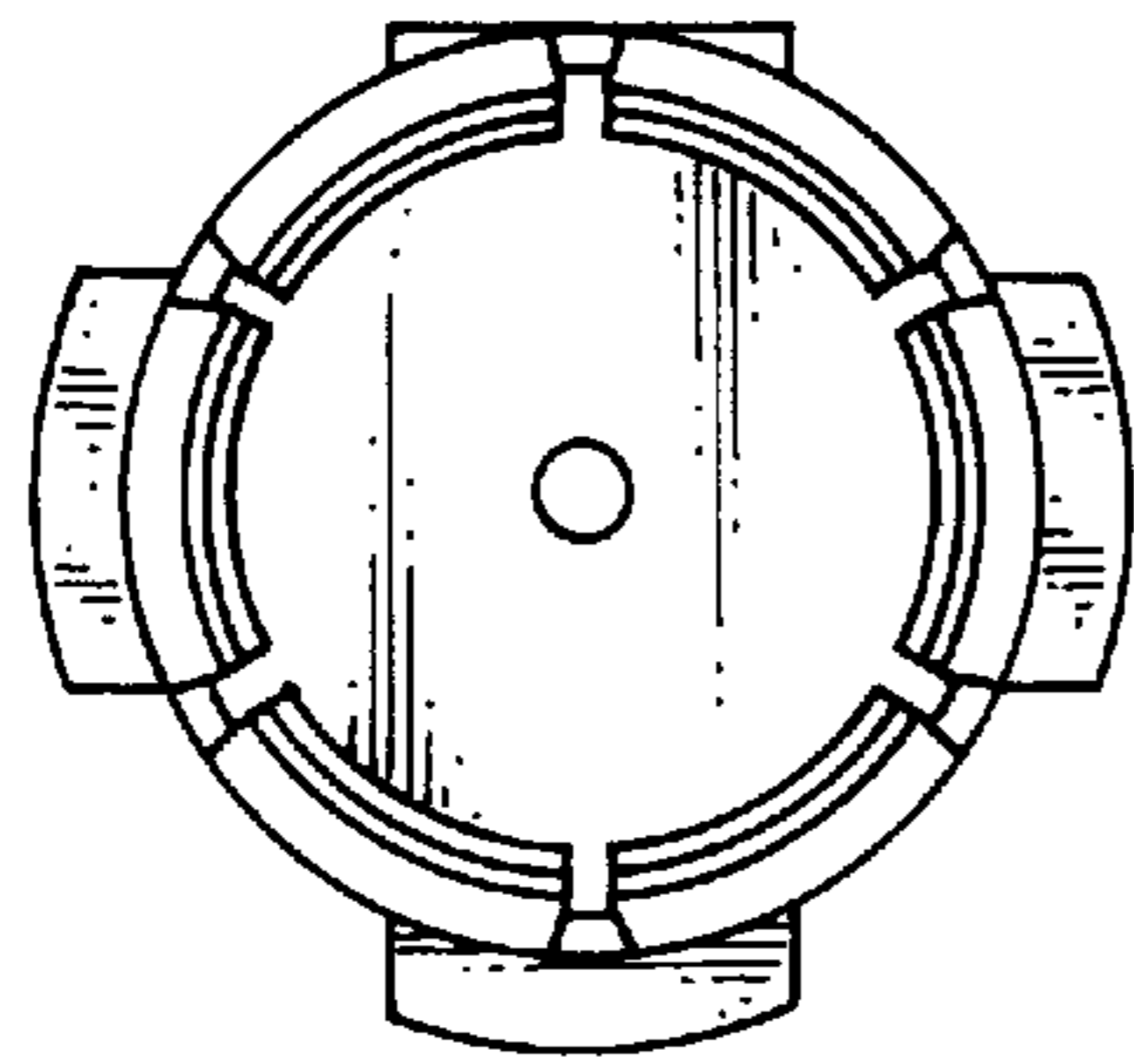


FIG. 4

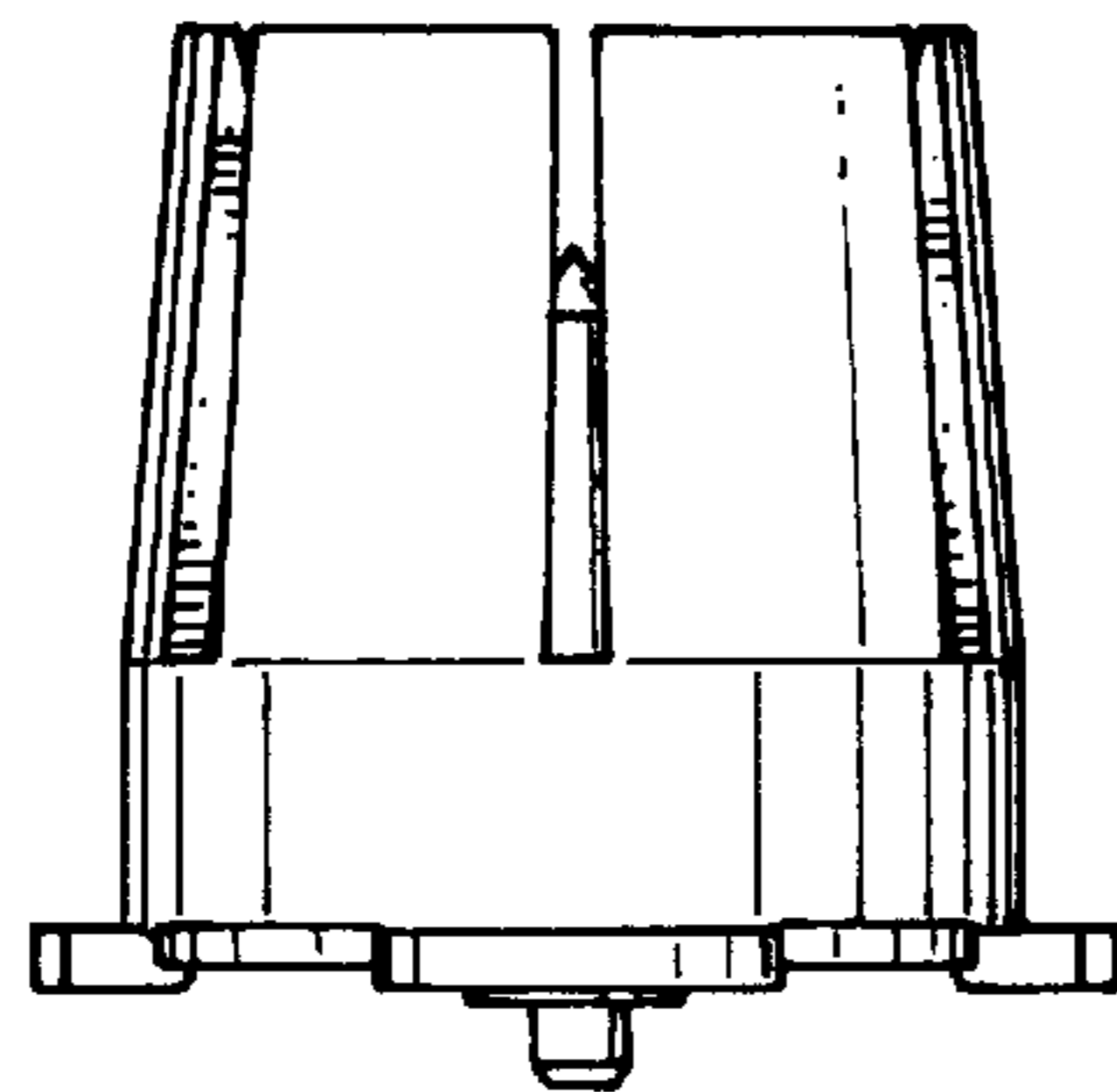


FIG. 2

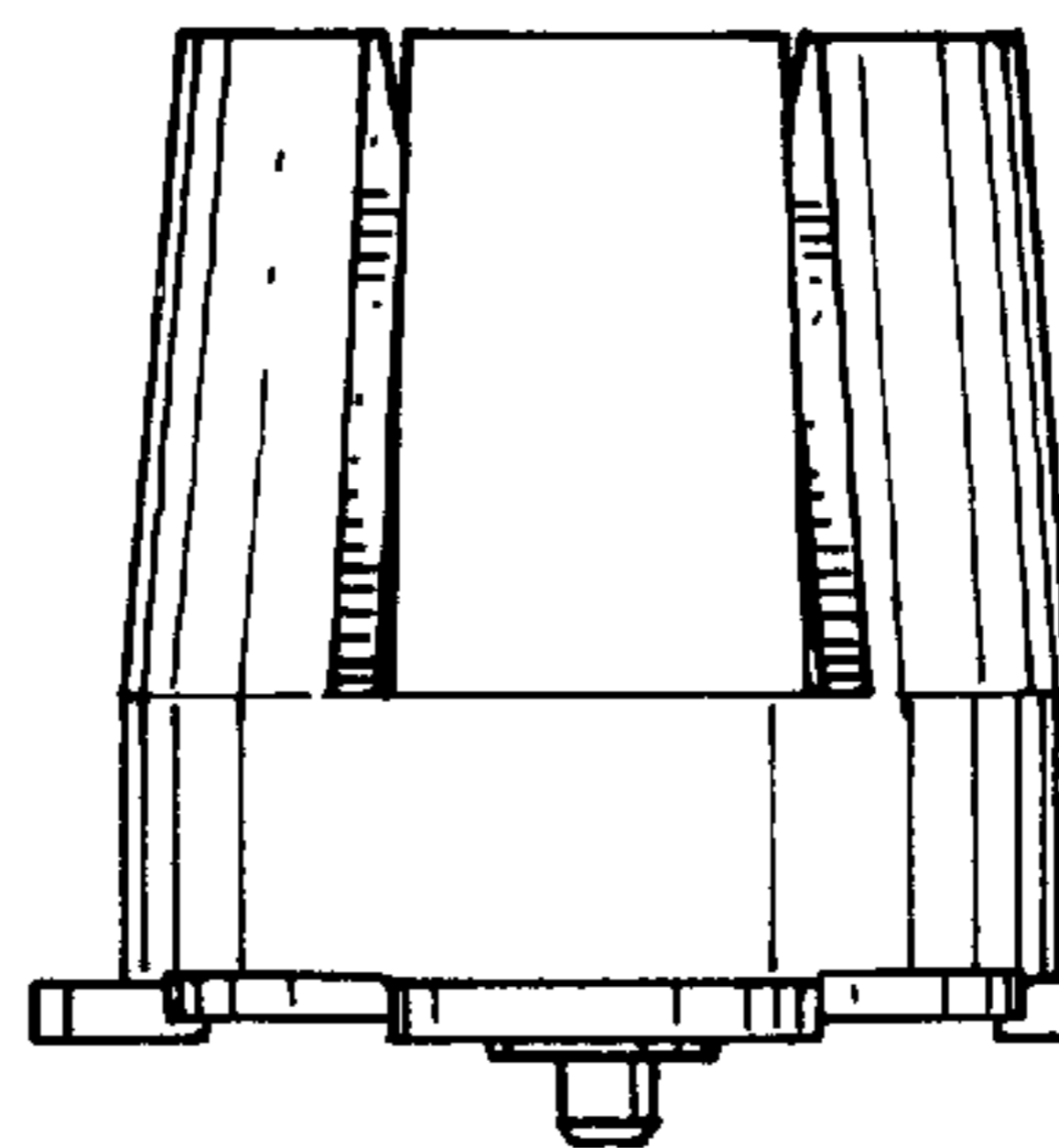


FIG. 3

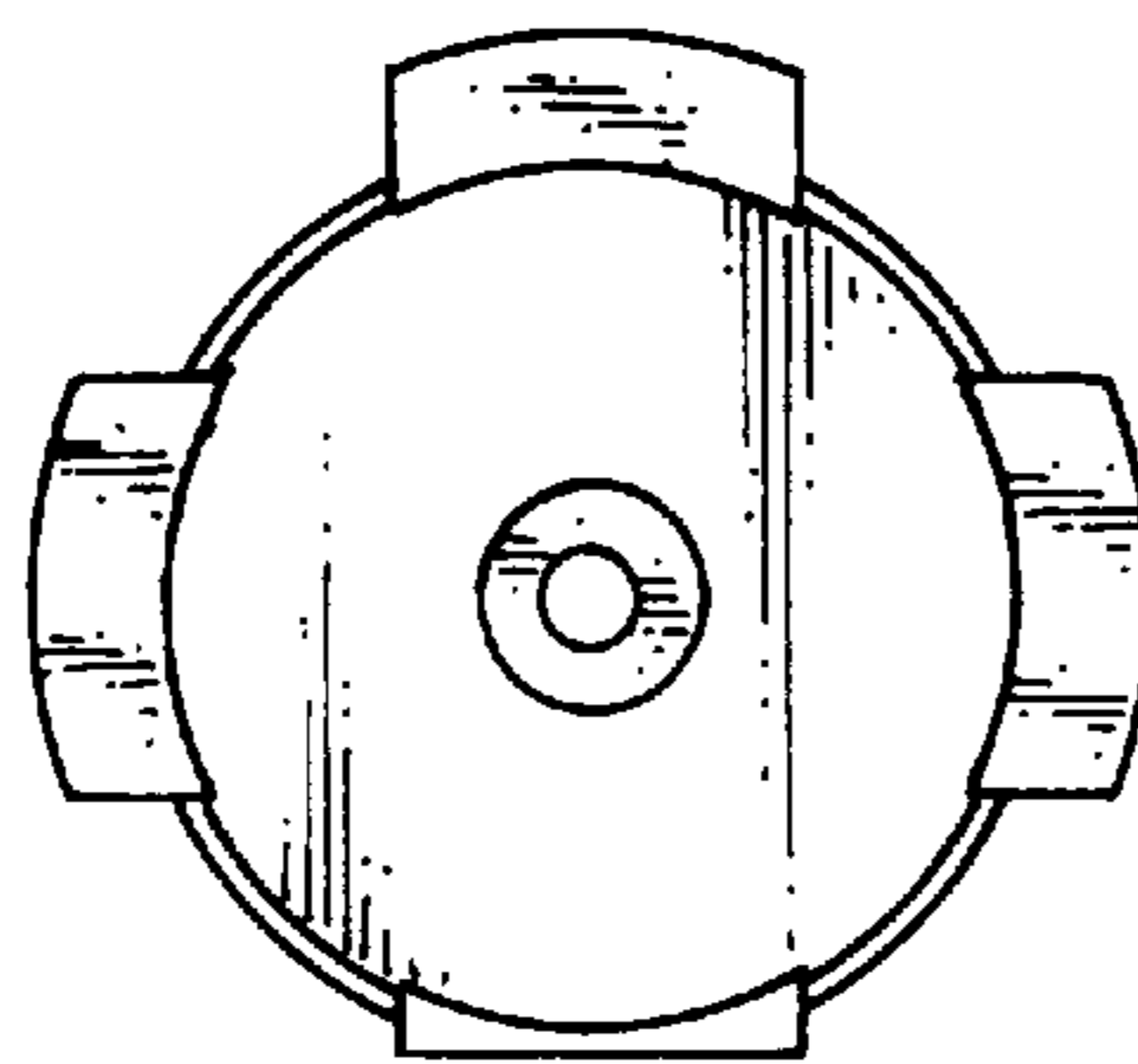


FIG. 5