



US00D407368S

United States Patent [19]
Mason

[11] **Patent Number: Des. 407,368**

[45] **Date of Patent: **Mar. 30, 1999**

[54] **PORTION OF A BATTERY FOR A PORTABLE ELECTRONIC APPARATUS**

[75] Inventor: **Mark Robert Mason**, Hemel Hempstead, United Kingdom

[73] Assignee: **Nokia Mobile Phones Limited**, Espoo, Finland

[**] Term: **14 Years**

[21] Appl. No.: **67,199**

[22] Filed: **Feb. 21, 1997**

[51] **LOC (6) Cl.** **13-02**

[52] **U.S. Cl.** **D13/119; D13/103**

[58] **Field of Search** **D13/103, 118, D13/119; 429/96-100, 163, 176**

[56] **References Cited**

U.S. PATENT DOCUMENTS

D. 331,566	12/1992	Seymour	D13/103
5,212,021	5/1993	Smith et al.	429/99 X
5,259,786	11/1993	Huang	429/98 X

OTHER PUBLICATIONS

Batteries on p. 569 of Hong Kong Enterprise, Jun. 1994.

Primary Examiner—Joel Sincavage
Attorney, Agent, or Firm—Perman & Green, LLP

[57] **CLAIM**

I claim the ornamental design of a portion of a battery for a portable electronic apparatus, as shown and described.

DESCRIPTION

FIG. 1 is a top, front and right side perspective view showing my new design;

FIG. 2 is a bottom, front and right side perspective view thereof;

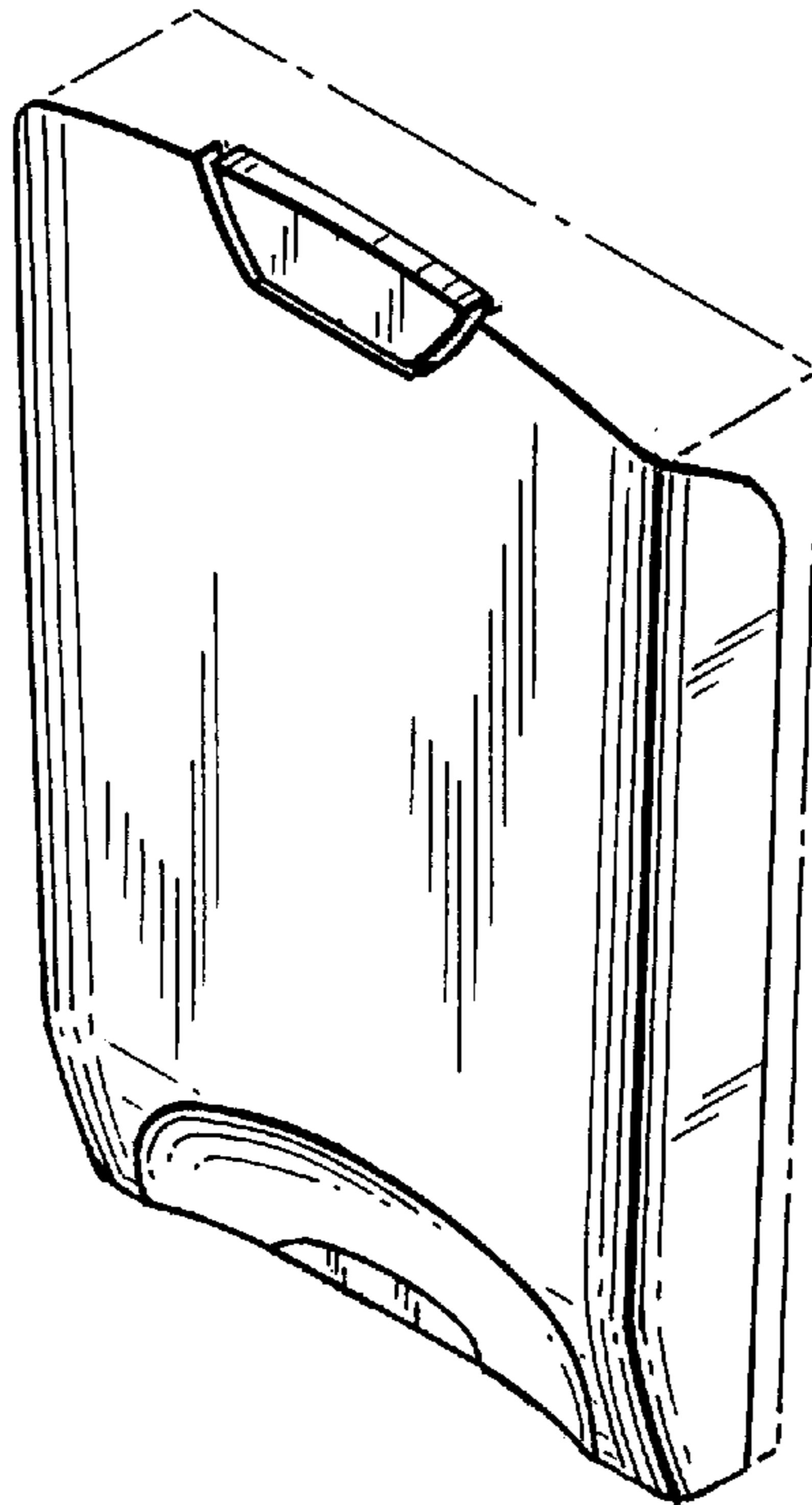
FIG. 3 is a front elevational view thereof;

FIG. 4 is a right side elevational view thereof, the left side being a mirror image thereof; and,

FIG. 5 is a bottom plan view thereof.

The broken lines showing of the rear portion of the battery is for illustrative purposes only and forms no part of the claimed design.

1 Claim, 2 Drawing Sheets



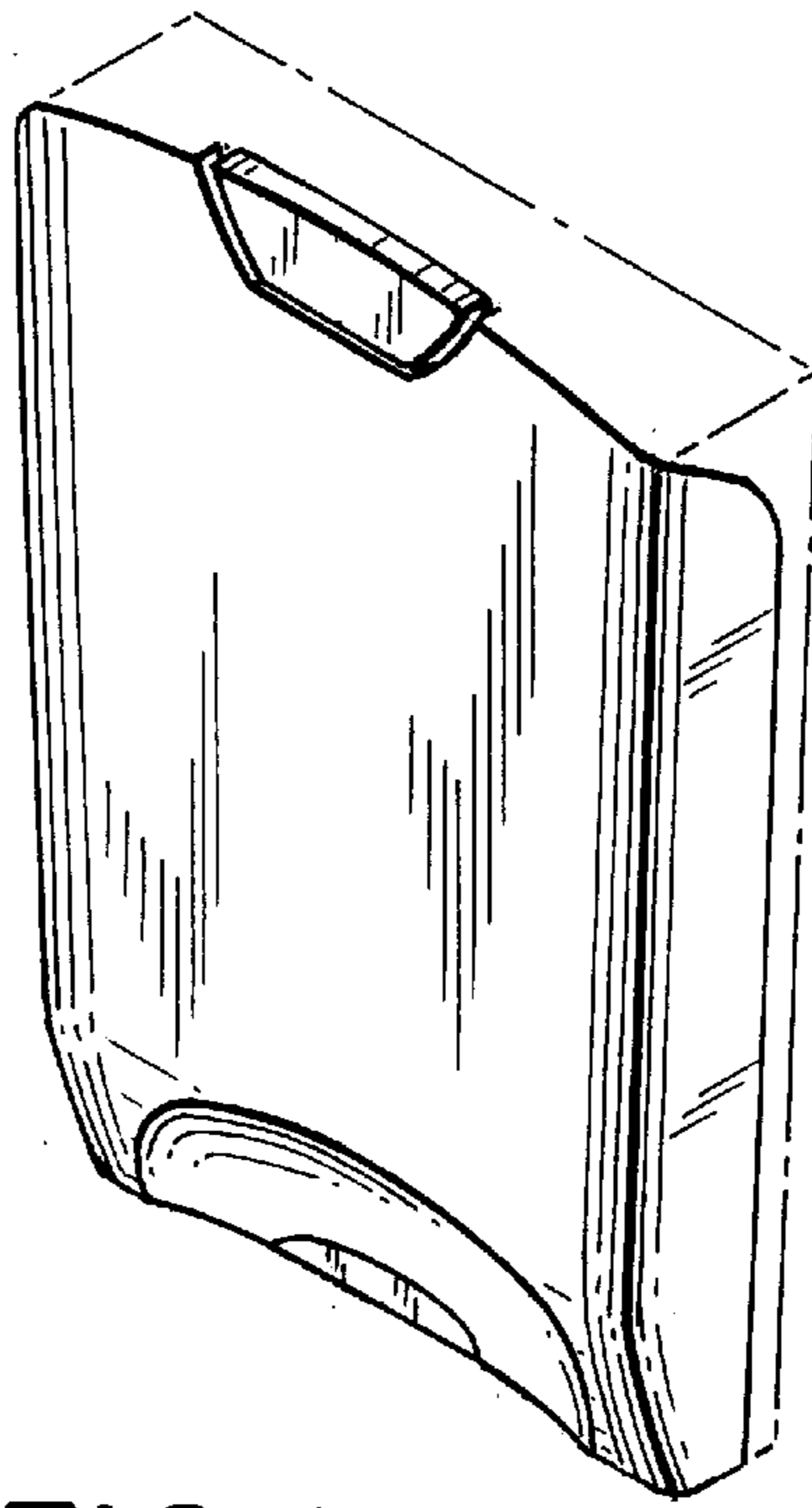


FIG. 1

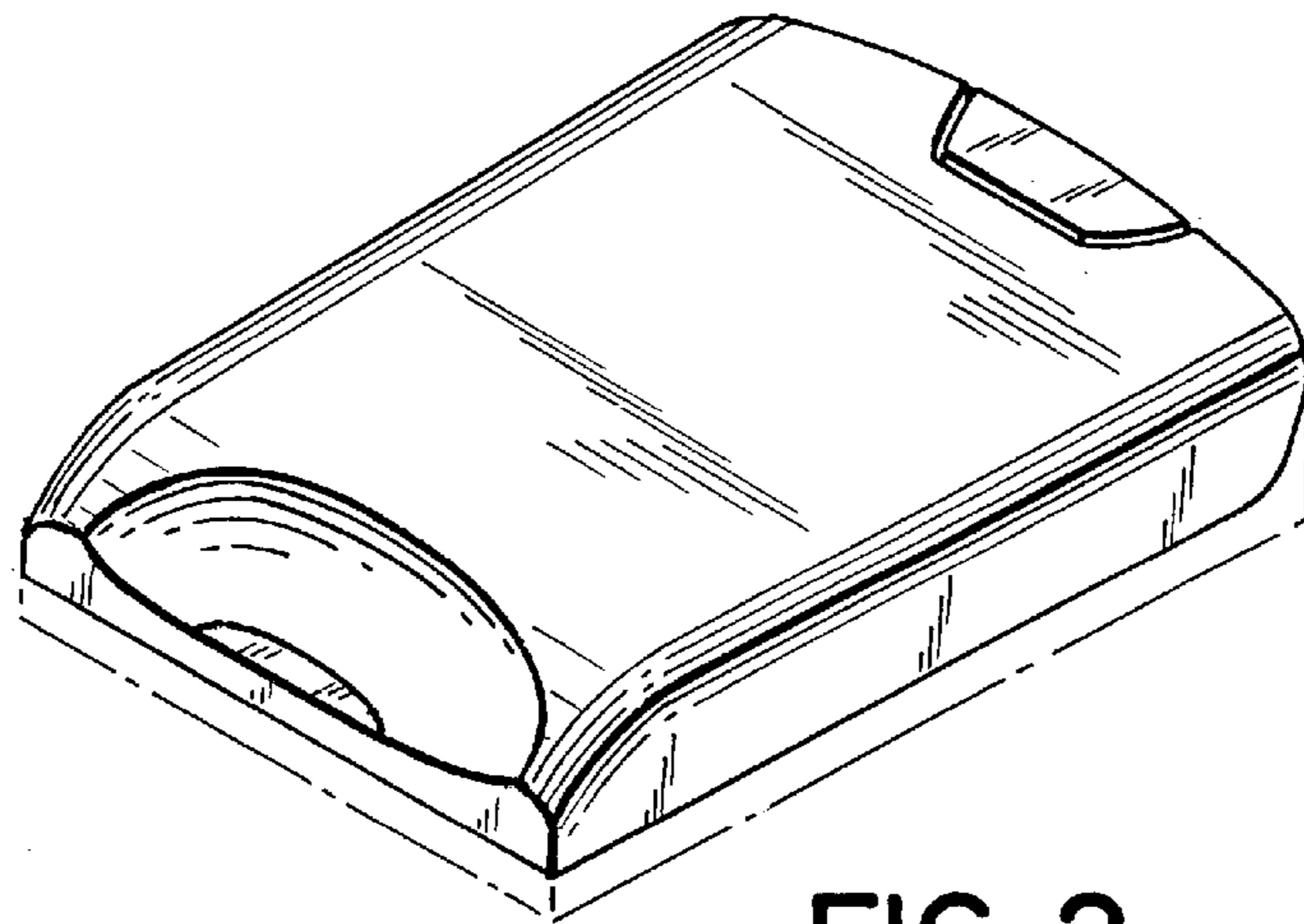


FIG. 2

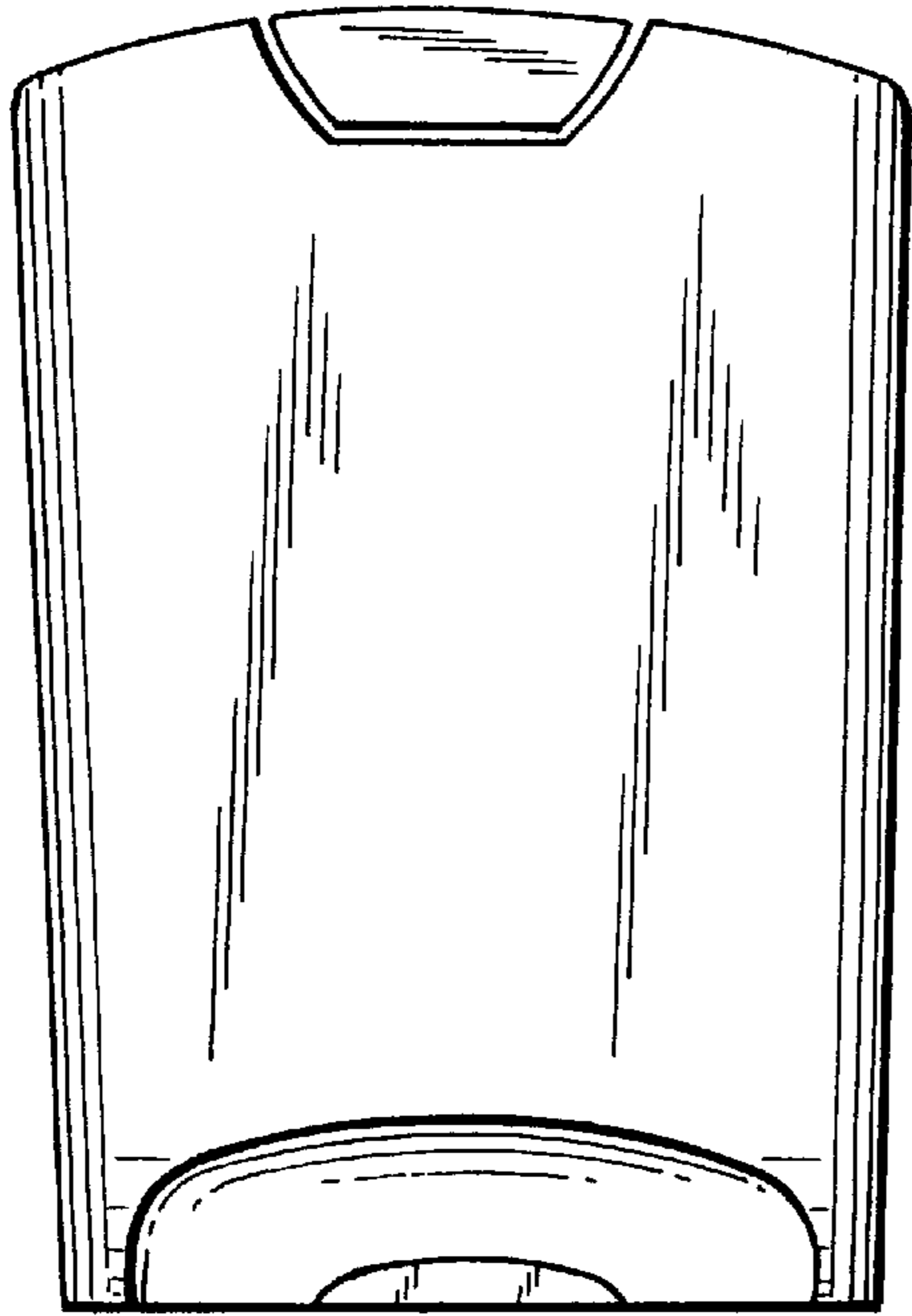


FIG. 3



FIG. 4

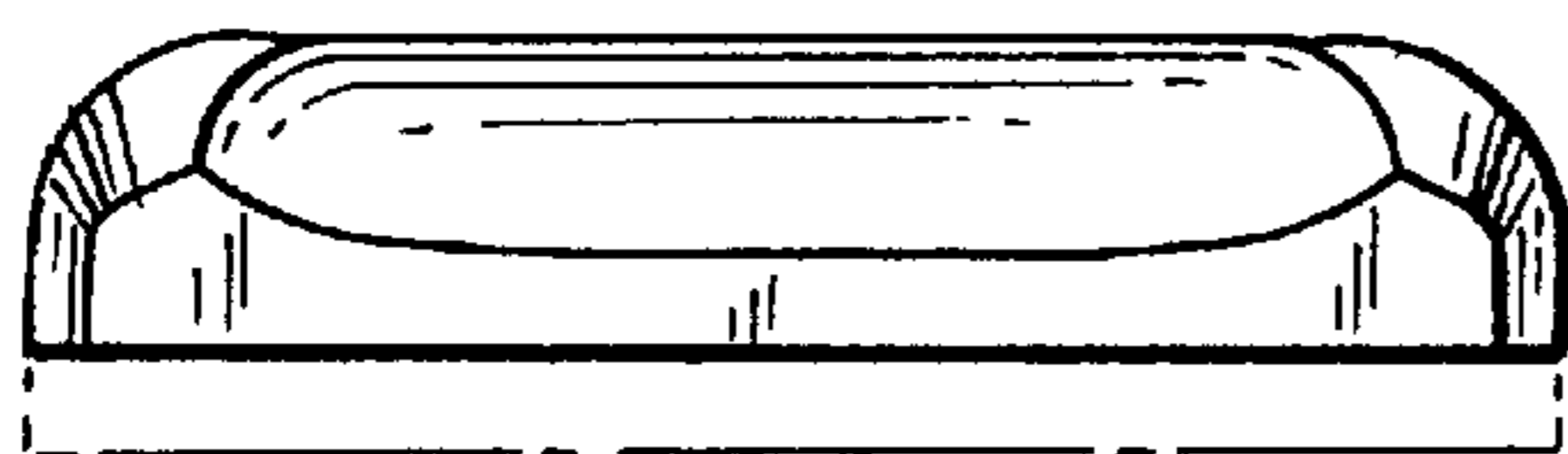


FIG. 5